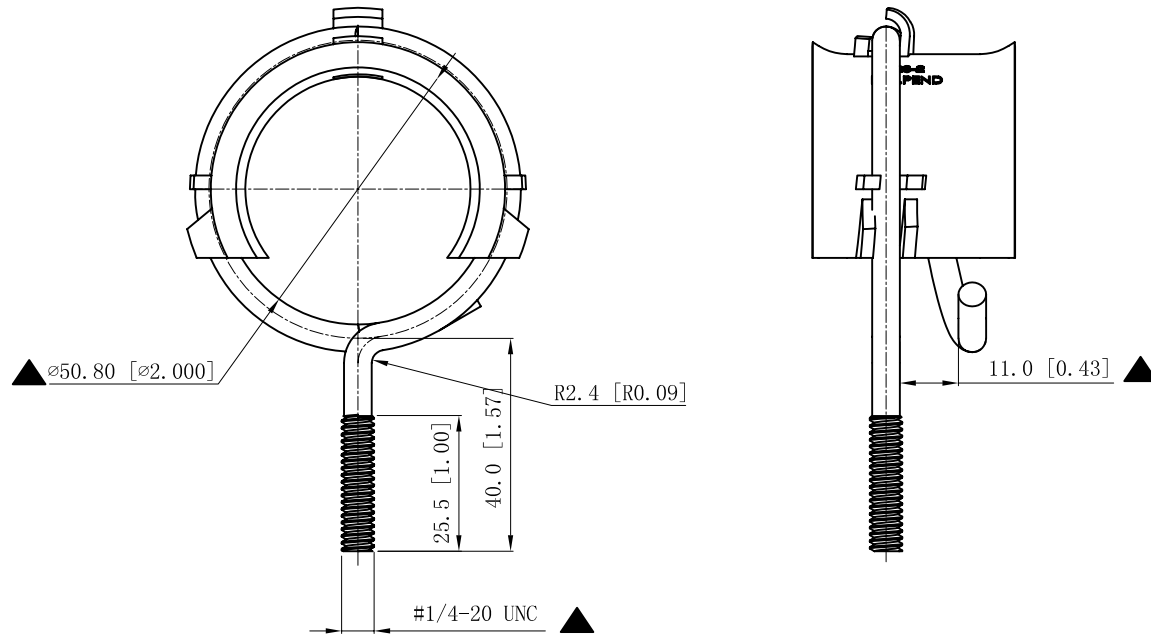
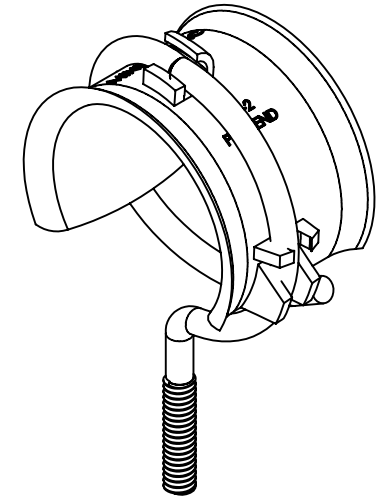
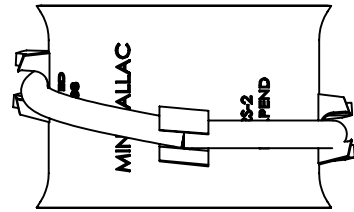


SIDES	BOTTOM
Material: Steel- \varnothing 0.213"-(C1008-C1018) Zinc Plated	



DESCRIPTION
TRADE REFERENCE TERMS

STANDARD PACKING
100/PCS

This data sheet is for reference only .GARVIN INDUSTRIES reserves the right to make changes to the design without prior notice.

GARVIN INDUSTRIES		
TITLE BRIDLE RINGS WIRE HARNESS		
SIZE A4	DWG NO. BR-200-WH	REV
DATA SHEET		