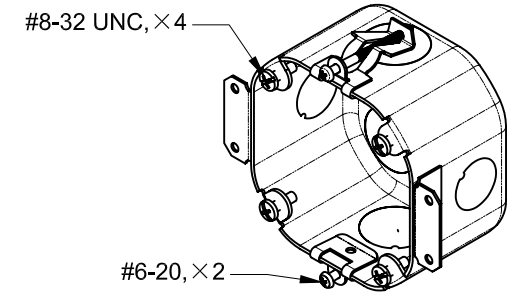
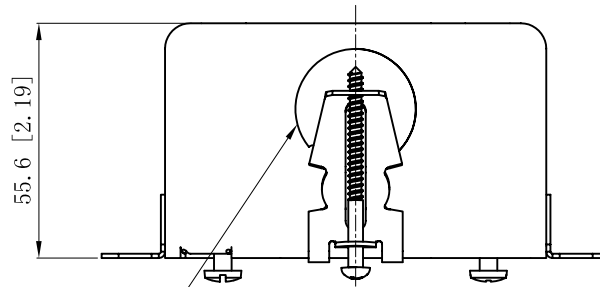


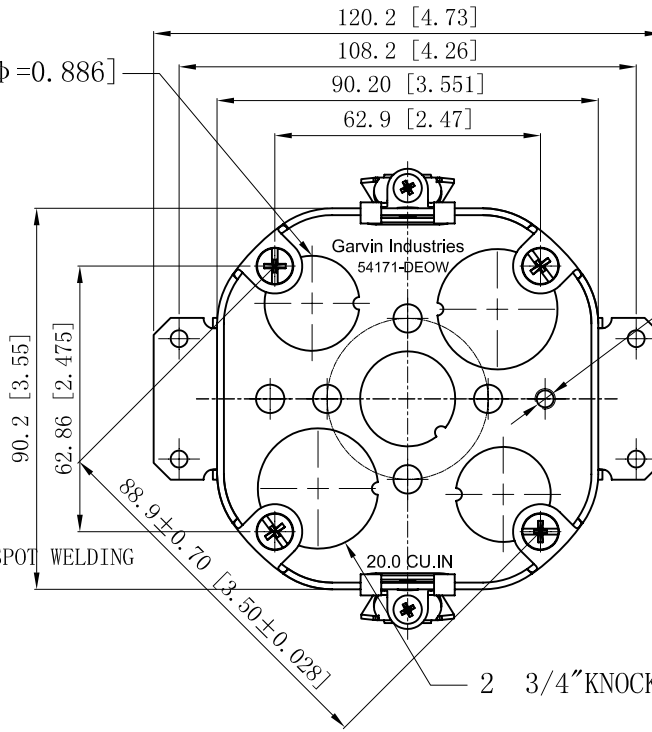
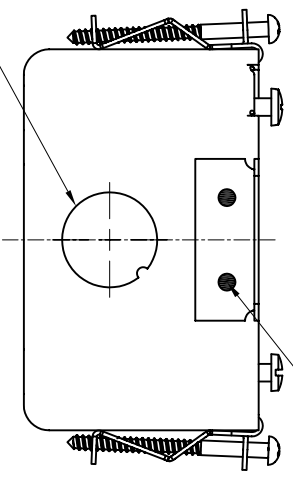
SIDES	BOTTOM
2 1/2" KNOCKOUTS	3 1/2" KNOCKOUTS
2 3/4" KNOCKOUTS	2 3/4" KNOCKOUTS
2 PCS #8-32x1/2 Screws Installed	
2 PCS #6-20x1-7/8 Screws Installed	
Material: Steel-0.0625"-G60 Galvanized	



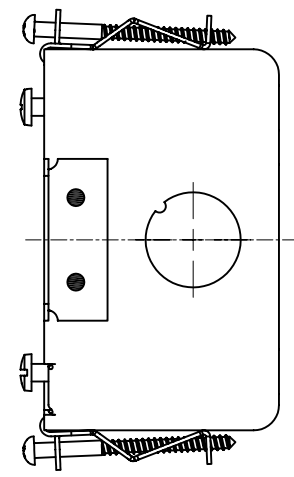
2 3/4" KNOCKOUTS $\phi=28.50$ [$\phi=1.122$]

2 1/2" KNOCKOUTS $\phi=22.50$ [$\phi=0.886$]

3 1/2" KNOCKOUTS $\phi=22.50$ [$\phi=0.886$]



#10-32 UNF HOLE



2 3/4" KNOCKOUTS $\phi=28.50$ [$\phi=1.122$]

This data sheet is for reference only. GARVIN INDUSTRIES reserves the right to make changes to the design without prior notice.

DESCRIPTION
TRADE REFERENCE TERMS

STANDARD PACKING
25 PCS

TITLE			REV
GARVIN INDUSTRIES			
4" OCTAGON BOXES 2-1/8" DEEP			A
SIZE	DWG NO.	54171-DEOW	
A4		DATA SHEET	