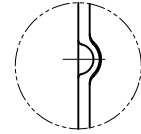
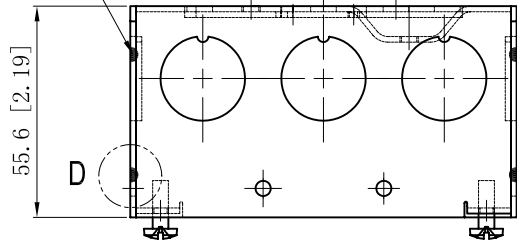


SIDES	BOTTOM
12 1/2" KNOCKOUTS	2 1/2" KNOCKOUTS
	2 3/4" KNOCKOUTS
	1 Ground Hump
2 PCS 8-32×1/2 Screws Installed	
Material:Steel-0.0625"-G60 Galvanized	

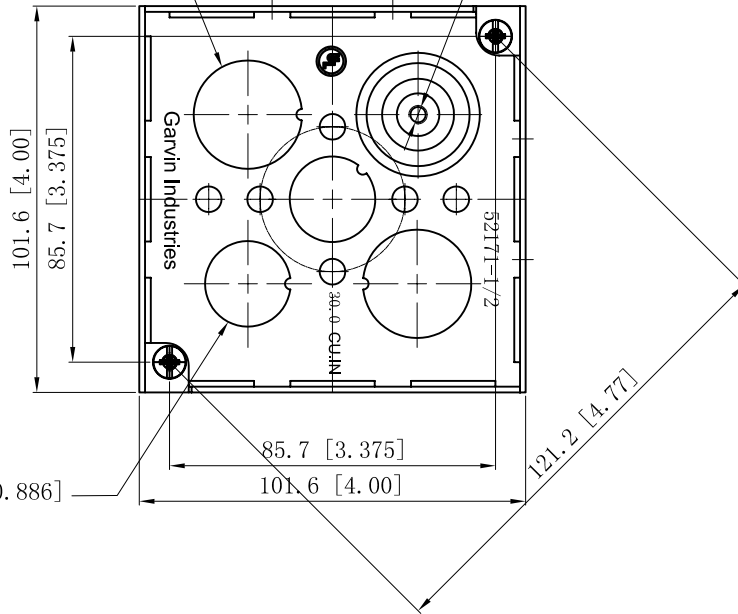
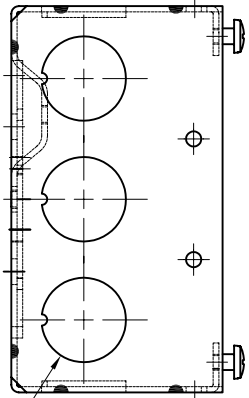
12 PLACES SPOT WELDING



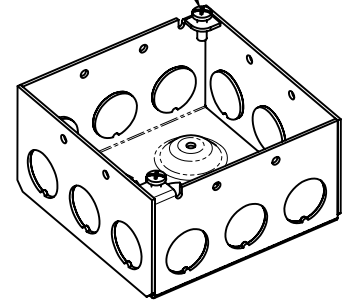
WELDING STYLE DETAIL VIEW D

2 3/4" KNOCKOUTS $\phi=28.50$ [$\phi=1.122$]

#10-32 UNF



#8-32, X 2



12 1/2" KNOCKOUTS $\phi=22.50$ [$\phi=0.886$]

2 1/2" KNOCKOUTS $\phi=22.50$ [$\phi=0.886$]

This data sheet is for reference only. GARVIN INDUSTRIES reserves the right to make changes to the design without prior notice.

DESCRIPTION
TRADE REFERENCE TERMS

STANDARD PACKING
25 PCS

GARVIN INDUSTRIES			
4" SQUARE BOXES 2-1/8" DEEP			
TITLE	52171-1/2		
SIZE	DWG NO.	REV	
A4	52171-1/2	A	
DATA SHEET			