

BARRON LIGHTING GROUP

COMPLETE OFFERING - 2ND EDITION



EXITRONIX
COMMERCIAL & INDUSTRIAL EMERGENCY LIGHTING

Trace-lite
...industrial & outdoor H.I.D. lighting

The products you trust... the service you rely on. All under one roof.

Since 1973 the Barron Manufacturing Corporation has established a reputation for unsurpassed service and commitment to our customer's needs. Originally a manufacturer of high quality electronic assemblies, Barron expanded into the emergency lighting industry with the introduction of the Exitronix division and the very first LED exit sign in 1985. The Trace-lite division, added in 2005 and featuring high quality Industrial and Outdoor HID lighting, has already made a name for itself by following the same philosophy of customer service practiced over the last 30 years.

Now a new evolution is here with the formation of the Barron Lighting Group. Built upon a solid foundation of our core divisions, this is much more than a name change, it is a reflection of our corporate philosophy of customer service.

Working from a single operating system, products from any of our divisions can be combined for ease of ordering, invoicing and tracking. Our helpful Account Managers can assist customers and representatives on all product lines within the Barron Lighting Group.



BARRONLTG.COM

Explore the Barron Lighting Group and our products online at www.barronltg.com. Quickly and easily navigate through all of our divisions for product information, spec sheets, photometrics and individual catalog pages. Learn more about your favorite products, plus request quotes and literature right from your desktop!

EXITRONIX[™]

COMMERCIAL & INDUSTRIAL EMERGENCY LIGHTING

2

EXIT SIGNS 5
EMERGENCY LIGHTING 27
CITY OF CHICAGO APPROVED PRODUCTS 47
CITY OF NEW YORK APPROVED PRODUCTS 50
EMERGENCY BALLASTS 57
UPS SYSTEMS 62
LED RETRO-FIT KITS 67
REMOTE HEADS 68
ACCESSORIES 74
TECHNICAL INFORMATION 76
UNDERCABINET LIGHTING 82
CUSTOM SIGN SHOP 83
OUTDOOR LED DIRECTIONAL SIGNAGE 84

Trace-lite
 ...industrial & outdoor H.I.D. lighting

86

WALLPACKS 89
FLOODLIGHTS 115
AREA LIGHTING 124
VANDAL/CANOPY LIGHTING 135
INDUSTRIAL HIGH/LOW BAY LIGHTING 144
ROADWAY LIGHTING 155
BOLLARDS 159
VAPORPROOF 163
TECHNICAL INFORMATION 167

BARRON
 LIGHTING GROUP

174

TERMS & CONDITIONS 174
INDEX 175

NEW IN THIS EDITION!

ILX Compact Thermoplastic LED Exit 16
VEX-EL55H Thermoplastic Combination LED Exit 16
TL119 Die-Cast Semi-Cutoff Aluminum Wallpack 110
TL119EX Large Die-Cast Aluminum Semi-Cutoff Wallpack 111
TL120 Die-Cast Aluminum Full Cutoff Wallpack 112
TL121 Die-Cast Aluminum Full Cutoff Wallpack 113
TL306 Adjustable Area Light 129
TL306EX Large Adjustable Area Light 130
TL307 Architectural Area Light 131
TL307EX Large Architectural Area Light 132
TL408 Garage Lighter 142
TL703 Flat-Top Bollard, Internal Louvres 161
TL802 Fluorescent Vaporproof Security Light 165
TL803 HID Vaporproof Security Light 166

EXITRONIX

COMMERCIAL & INDUSTRIAL EMERGENCY LIGHTING

OUR MISSION STATEMENT:

Since 1973, Exitronix has operated under an internal system for success that we labeled the Total Quality System, which is our philosophy of doing business.

Exitronix encourages people, through teamwork, to systematically apply the right problem solving tools and techniques to continuously improve the quality of our company and to achieve customer satisfaction through meeting our customer's expectations the first time and every time.

All Exitronix products are engineered for quality and dependability. Exitronix uses only the most reliable electronic components and specification grade materials. Every step of manufacturing adheres to stringent quality control guidelines, ensuring a safe and reliable means of egress.



EXIT SIGNS..... 5

Edge-lit LED Exits

900 Architectural Edge-lit.....	5
V900 Edge-lit.....	6

Die-Cast Aluminum LED Exits

NAV Weatherproof.....	7
450 Ultra Slim Diffused.....	8
400 Diffused.....	9
400D Direct-View.....	10
400U Universal Diffused.....	11

Steel LED Exits

500 Direct-View.....	12
600 Direct-View.....	13
700 Diffused.....	14
VEX-S Value Series Steel.....	15

Thermoplastic LED Exits

ILX Compact Universal.....	16
VEX Universal.....	17
VEX EL50H Halogen Combo.....	18
VEX EL55H Halogen Combo.....	19
VEX EL90 Combo.....	20
VEX EL95 "Swingarm" Combo.....	21

Industrial LED Exits

VRC Suitable for Wet Location.....	22
RC NEMA Rated.....	23
RZ Hazardous Location Rated.....	24

Non-Electric Exits

EXI-Glow Photoluminescent.....	25
PXP Tritium.....	26

EMERGENCY LIGHTING 27

Decorative / Commercial

Stealth Architectural Recessed.....	27
Triton Decorative Indoor/Outdoor.....	28
SQS Decorative - Thermoplastic or Steel.....	29
RDG Recessed Steel.....	30
RM, RM6 Recessed Plastic or Steel.....	31
CR Recessed T-Bar Steel.....	32
LL30 Decorative Thermoplastic.....	33
LL50H Decorative Thermoplastic.....	33
LL50H-RM Recessed Thermoplastic.....	34
LL50H-N4 Wet Location Thermoplastic.....	35
LL60 Decorative Thermoplastic.....	35
LL90, LL90R, LL90H Decorative Thermoplastic.....	36
LL90HW High Wattage Thermoplastic.....	37

Commercial / Industrial

LL6, LL12 Steel.....	38
LRP Heavy Duty Thermoplastic.....	39
RP Thermoplastic.....	40
RS Steel.....	41
RW Heavy Duty Steel.....	42
LRX Suitable for Wet Location.....	43
RX NEMA Rated.....	44
RL NEMA Rated.....	45
RH Hazardous Location Rated.....	46

CHICAGO APPROVED 47

CSX Steel Exit.....	47
CSC Steel Combination Exit.....	48
CXE Edge-lit Exit.....	49

NEW YORK CITY APPROVED... 50

VEX-8 Steel Universal Exit.....	50
VEXC-8 Steel Combination Exit.....	51
400U-8 Universal Die-Cast Aluminum Exit.....	52
NY1 & NY2 Die-Cast Aluminum Exit.....	53
V900-8 Edge-lit Exit.....	54
NY900 Architectural Edge-lit Exit.....	55
NY-LL Steel Emergency Lighting Unit.....	56

EMERGENCY BALLASTS 57

XEB-5, XEB-7, XEB-55, XEB-13.....	57
XEB-14, XEB-30, XEB-6CF, XEB-26CF.....	58
XEB-42CF(-G2), XEB-420CFZ(-G2), XEB-65CF ..	59
XEB-75CF, XEB-12-54, XEB-T5-5, XEB-T5-8.....	60
Ballast Accessories & Warranty Information.....	61

UPS SYSTEMS 62

Single Phase

Phoenix Compact, 350 to 2100 Watt.....	62
Phoenix 2.1 to 14 KW.....	63
Phoenix 3 to 15 KW.....	64
Sonoran Hostile Environment, 2.1 to 14 KW.....	65

Three Phase

Sedona 8 to 50 KW.....	66
------------------------	----

RETRO-FIT KITS 67

RT1, RT2, LEDGE Edge-lit.....	67
-------------------------------	----

REMOTE LAMPS 68

Decorative

VR Thermoplastic.....	68
Triton Die-Cast Aluminum.....	69

Commercial / Industrial

Remote Heads.....	70-72
Mounting Plates.....	73

ACCESSORIES 74

Accessories.....	74-75
------------------	-------

TECHNICAL INFO 76

Lamp Selector Guide.....	76
Lamp Photometrics.....	77-79
Voltage Drop Tables.....	80
Exit Discharge Application Guide.....	81

UNDERCABINET LIGHTS 82

UC Series.....	82
----------------	----

CUSTOM SIGNS 83

Custom LED Signage.....	83
-------------------------	----

LED DIRECTIONAL SIGNS 84

82 Series Direct-View.....	84
84 Series Diffused Custom Legends.....	85

FEATURED PRODUCTS

ILLUMINEX *(page 16)*

The Illuminex Series LED Exit Sign features a new, contemporary design with a modern-day appeal for today's building environments and energy-conscious consumers. The ILX is attractive, easy-to-install, and compact, with proven, ultra-reliable electronics to provide the very best in energy efficient emergency lighting.



FEATURES

- Ultra-compact, low-profile design
- Damp Location Rated
- Universal mount, includes canopy
- Energy saving LED design
- 1 year warranty
- Quick, easy snap-together design
- Durable polycarbonate housing
- Field-selectable universal arrows
- 120/277V dual primary input
- Available in white or black finishes
- Universal J-Box mounting pattern

FEATURES

- Damp location rated
- Fully adjustable 5 watt halogen MR-16 top mounted lamp heads
- Universal, field-selectable chevrons
- Compact, streamlined design
- Contractor friendly, snap-together design
- UV stable, thermoplastic components
- UL 94-5VA flame rating
- 120/277V dual primary 60Hz input
- 5 year warranty
- UL Listed
- 90 minute emergency run time
- Momentary test switch and LED charge indicator

VEX-EL55H *(page 19)*

The Exitronix VEX-EL55H Thermoplastic Combination Units combine a low-profile, contemporary appearance with economy and dependability. It's compact, streamlined design features fully adjustable designer heads to compliment any environment.



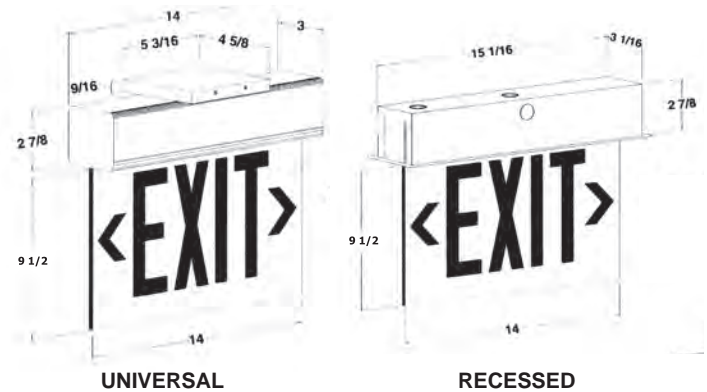
FEATURES

- Recessed or universal mounting
- Attractive aluminum extrusion design
- Standard colors: black, white and brushed aluminum
- Optional G2 Self-Test/Self-Diagnostics (utilizes NiMh Battery)
- Constant, uniform illumination
- High clarity, optically true acrylic panels
- 6" characters with 3/4" stroke
- Field applicable chevrons available
- 120/277V dual primary 60Hz input
- Short circuit protection
- Voltage surge protection
- Maintenance-free lead calcium battery
- Trickle charge circuitry for extended battery life
- Low voltage disconnect eliminates deep discharge
- Brown-out protection
- 25 year warranty
- 5 year pro-rated warranty on battery



See page 83 for "SS" custom signage options

DIMENSIONS



WARRANTY

Any component that fails due to manufacturer's defect is guaranteed for 25 years with a separate 5 year pro-rated warranty on battery. Warranty does not cover physical damage, abuse or acts of God

ORDERING INFORMATION

SERIES	MOUNTING	POWER SOURCE	PANEL COLOR	ARROW CONFIGURATION	COLOR	OPTIONS
902 = Single Face 903 = Double Face	R = Recessed WR = Wall Recessed U = Ceiling, End, or Wall Mount (Surface Mount)	LB = AC Only WB = With Battery NC = Ni-Cad	RC = Red Letters Clear Panel RW = Red Letters White Panel RM = Red Letters Mirror Panel GC = Green Letters Clear Panel GW = Green Letters White Panel GM = Green Letters Mirror Panel SS = Custom Face (Consult Factory)	Single Face CL = Chevron Left CR = Chevron Right BC = Both Chevrons ZC = No Chevrons XX = Field Applicable Chevrons Double Face SC = Single Chevron BC = Both Chevrons ZC = No Chevrons XX = Field Applicable Chevrons	WH = White BL = Black BA = Brushed Aluminum BB = Satin Brass	G2 = Self-Test/Self-Diagnostics* FL = Flasher BZ = Audible Alarm FB = Flasher & Audible Alarm A1 = Fire Alarm Interface w/Flasher A2 = Fire Alarm Interface w/Flasher & Audible Alarm 12V = 12 Volt DC Remote Emergency Power 2C11 = Two AC Circuit Inputs 120V/120V 2C17 = Two AC Circuit Inputs 277V/277V E1 = 12" Pendant Kit E2 = 24" Pendant Kit E12 = 12" Extension Rod E24 = 24" Extension Rod EL1 = One 6V Emergency Light Remote Mounted TF = 10hr Run Time in flash / 5 in continuous

CODE CONFORMANCE

Exitronix products are electrically safe and meet or exceed the following: UL 924, N.E.C. and N.F.P.A. Life Safety Code 101.



* Utilizes NiMh Battery

Specifications are subject to change without notice

FEATURES

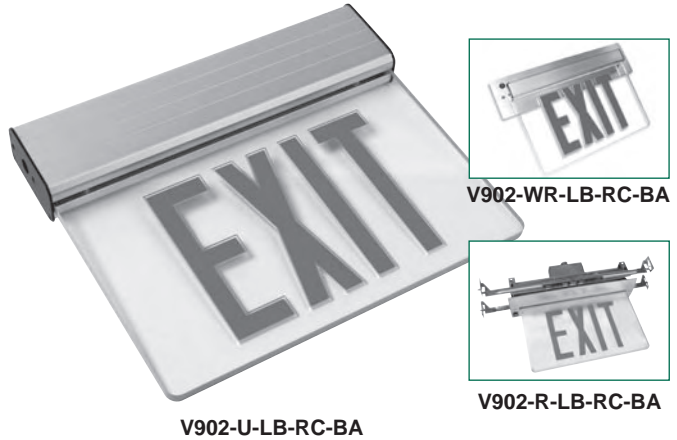
- Recessed, wall recessed or universal mounting
- Recessed housing - Not suitable for drywall applications
- Compact, low profile design
- Standard colors, white, black, brushed aluminum
- Red or green super bright LEDs
- Field installable directional arrows
- Consumes less than 3 watts for AC units and less than 5 watts for battery backup units
- 120/277 volt operation
- Attractive aluminum extrusion design
- Constant, uniform illumination
- Test button and LED AC/DC indicator
- Overcharge protected
- Brown-out protected
- UL recognized, maintenance-free, NiCad battery
- ETL listed 90 minute emergency run-time

WARRANTY

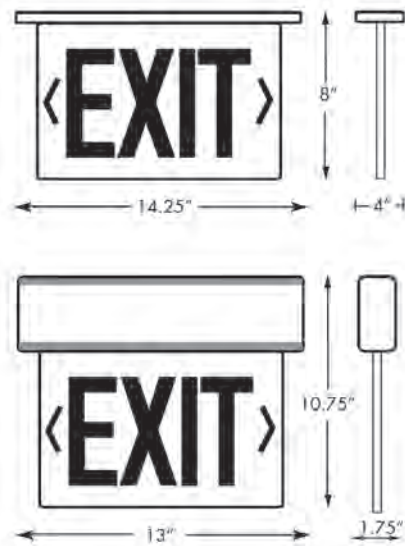
Any component that fails due to manufacturers defect is guaranteed for 5 years with a separate 3 year pro-rated warranty on the battery. The warranty does not cover physical damage, abuse or acts of God.

CODE CONFORMANCE

ETL & UL Listed to Meet UL 924, NEC and NFPA, Life Safety Code Illumination Requirements



DIMENSIONS



ORDERING INFORMATION

SERIES	MOUNTING	POWER SOURCE	PANEL COLOR	HOUSING COLOR	OPTIONS
V902 = Single V903 = Double	R = Recessed WR = Wall Recessed U = Universal Surface	LB = Less Battery WB = With Battery	RC = Single Face Red Letters Clear Panel GC = Green Letters Clear Panel RM = Double Face Red Letters Mirror Panel GM = Green Letters Mirror Panel	WH = White BL = Black BA = Brushed Aluminum	2CI = Dual Circuit G2 = Self Test/Self Diagnostics



Specifications are subject to change without notice

FEATURES

- IEC IP 66 Rated for wet, and hose down locations
- Constructed of 0.420" extreme duty die-cast aluminum
- High abuse clear polycarbonate shield
- Tamper resistant hardware included
- Suitable for indoor/outdoor, damp, or wet locations
- 120/277/347 VDC input
- Sealed Nickel-Cadmium battery provides 90 minutes of emergency run time (optional 120 min. run time)
- Can operate in temperatures from -40°C to 45°C using optional internal battery heater
- Comes standard with automatic diagnostic tester
- CSA Listed (Conforms to UL924)
- High output LED illumination consumes only 5 watts
- Field selectable chevrons
- Conforms to UL924, NFPA70, NFPA 101, NEC, and OSHA standards
- 5 year warranty
- Suitable for wall, ceiling, or end mounting



The NAV series vandal resistant exit sign is designed to stand up to high abuse areas such as correctional facilities, schools, apartment complexes, and public areas that may be subject to vandalism. The NAV comes standard with an IEC IP66 rating, and is suitable for wet or hose down applications. An internal heater with thermostat option is available for low temperature operations.

EXIT SIGNS

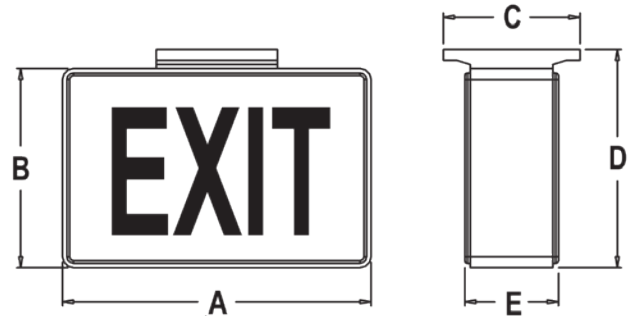
WARRANTY

Any component that fails due to manufacturer's defect is guaranteed for 5 years from time of shipment. Warranty does not apply to damages caused by improper installation, abuse, fire or acts of God.

CODE CONFORMANCE

Exitronix products are electrically safe and meet or exceed the following: UL 924, N.E.C. and N.F.P.A. Life Safety Code 101.

DIMENSIONS



A	B	C	D	E
14"	9"	6.2"	10"	4"

ORDERING INFORMATION

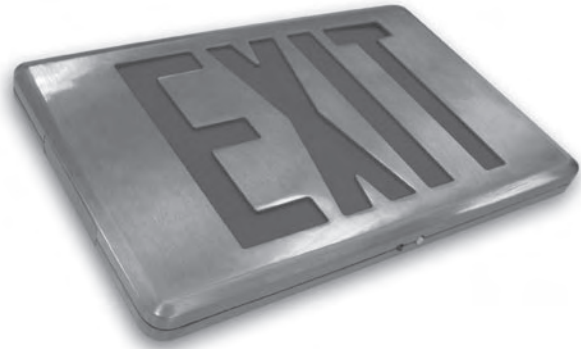
SERIES	POWER	COLOR	# FACES	HOUSING	FACTORY OPTIONS
NAV - NAV	LB - AC Only NC - NiCad Battery	R - Red G - Green	1 - Single 2 - Double	B - Black W - White	ER12 - 12" Pendant Kit FL - Flasher BZ - Audible Alarm H - Battery Heater (Specify 120V or 277V) IR - Infrared Remote Test Switch TF - NiCad Battery with 120 Min. Run Time



Specifications are subject to change without notice

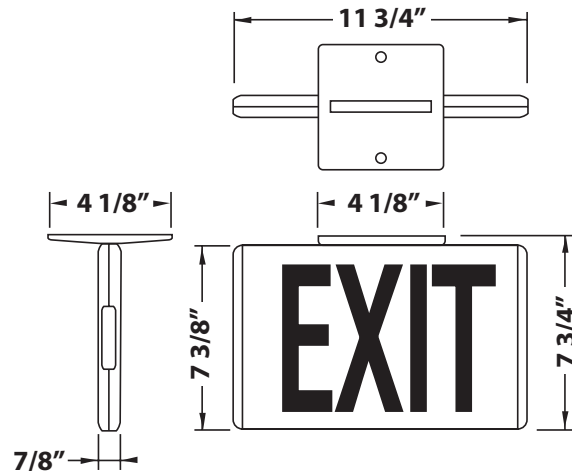
FEATURES

- Enclosure, face plate, back plate and mounting canopy constructed of precision die-cast aluminum
- Red or green high intensity LEDs
- Constant uniform illumination
- 3/4" fully illuminated letters
- Standard housing available in black, white and brushed aluminum
- Simple installation
- Universal mounting canopy supplied standard with each unit
- 120/277 volt operation
- Chevron style universal arrow knockout
- Short circuit protection
- Voltage surge protection
- Test button and LED AC/DC indicator
- Low voltage disconnect eliminates deep discharge
- UL recognized, maintenance-free, NiCad battery
- 90 minute emergency run-time



The 450 Series Die Cast Aluminum Exit features an architectural, ultra slim design to fit into any environment. Attractive and functional, the 450 Series is completely self-contained and utilizes reliable, energy efficient LED illumination.

DIMENSIONS



WARRANTY

Any component that fails due to manufacturers defect is guaranteed for 5 years with a separate 3 year pro-rated warranty on the battery. The warranty does not cover physical damage, abuse or acts of God.

CODE CONFORMANCE

Exitronix products are electrically safe and meet or exceed the following: UL 924, N.E.C. requirements and N.F.P.A. Life & Safety Code 101.

ORDERING INFORMATION

SERIES	POWER SOURCE	HOUSING COLOR
452 = Red Single Face G452 = Green Single Face 453 = Red Double Face G453 = Green Double Face	WB = With Battery	BL = Black WW = White BA = Brushed Aluminum

Specifications are subject to change without notice

FEATURES

- Enclosure constructed of precision die-cast aluminum
- Red or green high intensity LEDs
- Constant uniform illumination
- 6", fully illuminated characters
- Chevron style universal arrow knockouts
- 120/277V dual primary 60Hz input
- Short circuit protection
- Voltage surge protection
- 25 year warranty
- 5 year pro-rated warranty on battery
- Overcharge protection
- Test button and LED AC/DC indicator are located on bottom of fixture for easy testing and visual inspection
- Flasher/buzzer options to meet ADA regulations
- Low voltage disconnect eliminates deep discharge
- Brown-out protection
- UL recognized maintenance-free NiCad battery
- UL listed 90 min emergency run time, 24 hour recharge time



G402-WB-BL-G2

Exitronix Die Cast Aluminum Exits are designed to combine both beauty and performance while maintaining optimal energy efficiency with a bright, uniform face.

DIMENSIONS

HEIGHT: 8 1/4" • WIDTH: 13.5" • DEPTH: 2 1/4"
 *Dimensions are for single or double face signs

WARRANTY

Any component that fails due to manufacturer's defect is guaranteed for 25 years. A separate 5 year pro-rated warranty on the battery allows you to install it and forget it.

CODE CONFORMANCE

Exitronix products are electrically safe and meets or exceeds the following: UL 924, N.E.C. requirements and N.F.P.A. Life & Safety Code 101

ORDERING INFORMATION

SERIES	POWER SOURCE	ENCLOSURE COLOR	OPTIONS	OPTIONAL HARDWARE
402 = Red Singe Face 403 = Red Double Face G402 = Green Singe Face G403 = Green Double Face	LB = Less Battery WB = With Battery	BL = Black w/ Aluminum Face BB = Black w/ Black Face WW = White w/ White Face BA = Brushed Alum. w/ Alum. Face	G1 = Self Diagnostics G2 = Self Test / Diagnostics DL = LED Down Light FL = Flasher BZ = Buzzer FB = Flasher & Buzzer A1 = Fire Alarm Interface w /Flasher A2 = Fire Alarm Interface w / Flasher & Buzzer DR = Damp Location Rating 12V = 12 Volt DC Remote Power 2CI = Two AC Circuit Inputs FM = Flush Mount Kit SS = Specialty Sign MR2 = Remote Twin Unit VL = Vandal Resistant Lens TF = 10 Hour Run Time in Flash /5 in continuous (Lead Calcium) TFN = 10 Hour Run Time in Flash /5 in continuous (NiCad)	DMC = Deep Mounting Canopy* TRH = Tamper Resistant Hardware TRT8 = Tamper Resistant Tool E1 = 1' Pendant Kit E2 = 2' Pendant Kit E12 = 12" Pendant Extension E24 = 24" Pendant Extension *Standard on Double Face Units



Specifications are subject to change without notice

FEATURES

- Enclosure constructed of die-cast aluminum
- Red or green high intensity LEDs
- Minimum of 129 LEDs for word "EXIT", 7 LEDs for each arrow
- Constant, uniform illumination
- 1/8" protective polycarbonate shield
- Universal mount
- Chevron style universal arrow knockouts
- 120/277V dual primary, 60Hz input
- Short circuit protection
- Voltage surge protection
- 25 year warranty
- 5 year pro-rated warranty on battery
- Automatic diagnostic tester available
- Trickle charge circuitry for extended battery life
- Overcharge protection
- Test button and LED AC/DC indicator are located on bottom of fixture for easy testing and visual inspection
- Flasher/buzzer options to meet ADA regulations
- Low voltage disconnect eliminates deep discharge
- Brown-out protection
- UL recognized maintenance-free sealed lead calcium battery
- ETL listed 90 minute emergency run time, 24 hour recharge time



The 400D Series is the brightest most visible sign in the industry in both normal and smoke-filled environments. Exitronix Die Cast Aluminum Exits are designed to combine both beauty and performance, while maintaining optimal energy efficiency and providing exceptional brightness and visibility, utilizing direct view LEDs.

DIMENSIONS

Height: 8¹/₄" • Width: 13.5" • Depth: 2¹/₄"
 *Dimensions are for single or double face signs

WARRANTY

Any component that fails due to manufacturer's defect is guaranteed for 25 years with a separate 5 year pro-rated warranty on the battery. The warranty does not cover physical damage, abuse or acts of God.

CODE CONFORMANCE

Exitronix products are electrically safe and meet or exceed the following: UL 924, N.E.C. and N.F.P.A. Life Safety Code 101.

ORDERING INFORMATION

SERIES	POWER SOURCE	ENCLOSURE COLOR	OPTIONS	OPTIONAL HARDWARE
402D = Red Single 403D = Red Double G402D = Green Single G403D = Green Double	LB = Less Battery WB = With Battery NC = Ni Cad	BL = Black w/ Aluminum Face WW = White w/ White Face BA = Brushed Alum. w/ Alum. Face	AT = Automatic Diagnostic Tester DL = LED Down Light FL = Flasher BZ = Buzzer FB = Flasher & Buzzer A1 = Fire Alarm Interface w/Flasher A2 = Fire Alarm Interface w/Flasher & Buzzer DR = Damp Location Rating 12V = 12 Volt DC Remote Power 2CI = Two AC Circuit Inputs FM = Flush Mount Kit MR2 = Remote Twin Unit TF = 10 Hour Run Time in Flash / 5 in continuous	DMC = Deep Mounting Canopy w/ Hardware TRH = Tamper Resistant Hardware TRT8 = Tamper Resistant Tool ER1/Kit = 1 Foot Pendant Kit ER2/Kit = 2 Foot Pendant Kit E12 = 12" Pendant Extension E24 = 24" Pendant Extension



Specifications are subject to change without notice

FEATURES

- Damp location listed
- Enclosure, face plate, back plate and mounting canopy constructed of precision die-cast aluminum
- Universal enclosure design includes 2nd face and canopy
- Red or green high intensity LEDs
- Constant uniform illumination
- 3/4" fully illuminated letters
- No visible LEDs
- Stock colors: Black, white and brushed aluminum
- Simple installation
- Universal mounting canopy supplied standard with each unit
- Chevron style universal arrow knockouts
- 120/277V dual primary, 60Hz input
- Short circuit protection
- Voltage surge protection



The 400U Series Die-cast Aluminum Exits are designed to combine both beauty and performance while maintaining optimal energy efficiency with a bright, uniform face.

DIMENSIONS

Single Face
Height: 8¹/₂" • Width: 12³/₄" • Depth: 2"

Double Face
Height: 8¹/₂" • Width: 12³/₄" • Depth: 2¹/₄"

UNIVERSAL ENCLOSURE DESIGN

The 400U is supplied standard with two face plates, a back plate and the mounting canopy; making this the only universal die-cast exit in the industry!

BATTERY BACK-UP

- Guardian self test / self diagnostics available
- Overcharge protection
- Test button and LED AC/DC indicator
- Flasher/buzzer options to meet ADA regulations
- Low voltage disconnect eliminates deep discharge
- Brown-out protection
- UL recognized maintenance-free Ni-Cad battery
- 90 minute emergency run time, 24 hour recharge time

CODE CONFORMANCE

Exitronix products are electrically safe and meet or exceed the following: UL 924, N.E.C. requirements and N.F.P.A. Life & Safety Code 101.

WARRANTY

Any component that fails due to manufacturer's defect is guaranteed for 5 years. A separate 5 year pro-rated warranty on the battery.

ORDERING INFORMATION

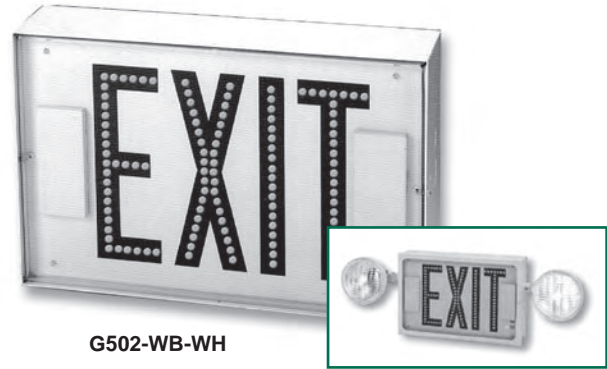
SERIES	POWER SOURCE	ENCLOSURE COLOR	OPTIONS	OPTIONAL HARDWARE
400U = Red G400U = Green	LB = Less Battery WB = With Battery	BL = Black w/Aluminum Face BB = Black w/Black Face WW = White w/White Face BA = Brushed Aluminum w/Aluminum Face WH = White w/Aluminum Face	G2 = Self Test/Self Diagnostics DL = Downlight FL = Flasher BZ = Audible Alarm FB = Flasher/Audible Alarm A1 = Alarm Interface w/Flasher A2 = Alarm Interface w/Flasher & Audible Alarm VL = Vandal Lens 2CI = Two Circuit Input	VL = Polycarbonate Vandal Lens for Exit Face N4X = Nema 4X Enclosure XG = 3/16" Polycarbonate Security Shield (wall mount) WG = Wire Guard (wall mount) TRH = Tamper Resistant Hardware TRT8 = Tamper Resistant Tool



Specifications are subject to change without notice

FEATURES

- Housing constructed of 20 gauge galvanized steel
- Red or green high intensity LEDs
- Minimum of 129 LEDs for word "EXIT", 7 LEDs for each arrow
- 1/8" protective polycarbonate shield
- White or black enclosure colors
- Universal arrow configuration
- 120/277V dual primary 60Hz input
- Short circuit protection
- Voltage surge protection
- Automatic diagnostic tester available
- Trickle charge circuitry for extended battery life
- Overcharge protection
- Push to test switch and LED indicators
- Flasher/buzzer options meet ADA regulations
- Low voltage disconnect eliminates deep discharge
- Brown-out protection
- ETL recognized maintenance-free lead calcium battery
- ETL listed 90 minute emergency run time, 24 hour recharge time
- EL (emergency lights) option available
- 25 year warranty
- 5 year pro-rated warranty on battery



G502-WB-WH

G502-WB-WH-EL2A

The 500 Series is the brightest most visible sign in the industry in both normal and smoke-filled environments. Constructed of durable 20 gauge steel, the 500 Series direct view exit provides bright illumination with individual LEDs spelling the word EXIT.

DIMENSIONS

Height: 8¹/₂" • Width: 12³/₈" • Depth: 3³/₄"

CODE CONFORMANCE

ETL listed. Meets UL 924, NFPA 101 (Life Safety Code) NEC, OSHA and Energy Star illumination standards.

ORDERING INFORMATION

SERIES	POWER SOURCE	ENCLOSURE COLOR	OPTIONS	OPTIONAL HARDWARE	EL OPTION
502 = Red Single 503 = Red Double G502= Green Single G503= Green Double	LB = Less Battery WB = With Battery NC = Ni Cad* * Not Available with EL option	WH = White BL = Black CC = Custom (Please specify)	AT= Automatic Diagnostic Tester DL= LED Down Light FL= Flasher BZ= Audible Alarm FB= Flasher & Audible Alarm A1= Fire Alarm Interface w /Flasher A2= Fire Alarm Interface w / Flasher & Audible Alarm DR= Damp Location Rating 6V= 6 Volt DC Remote Emergency Power 12V= 12 Volt DC Remote Emergency Power 2CI= Two AC Circuit Inputs C*= Custom Color Faceplates MR1= 1" Remote Steel Unit MR2= Remote Twin Unit FM= Flush Mount Kit TF = 10 hour run time with Flasher / 5 hours continuous	TRH= Tamper Resistant Hardware TRT6= Tamper Resistant Tool ER1/Kit= 1' Pendant Kit ER2/Kit= 2' Pendant Kit E12= 12" Pendant Extension E24= 24" Pendant Extension	EL2A= Par 36 White Thermoplastic EL2B= Par 36 Black Thermoplastic EL2C= Par 18 White Thermoplastic EL2D= Par 18 Black Thermoplastic EL2E= Par 36 Brushed Aluminum EL2F= Par 36 White Aluminum EL2G= Par 36 Black Aluminum EL0= 18 Watts of Remote Capacity (No Lamps)

WARRANTY

Any component that fails due to manufacturer's defect is guaranteed for 25 years with a separate 5 year pro-rated warranty on the battery. The warranty does not cover physical damage, abuse or acts of God.



Specifications are subject to change without notice

FEATURES

- Housing constructed of 20 gauge galvanized steel
- Red or green high intensity LEDs
- Minimum of 129 LEDs for word "EXIT", 7 LEDs for each arrow
- 1/8" protective polycarbonate shield
- White or black enclosure colors
- Universal arrow configuration
- 120/277V dual primary 60Hz input
- Short circuit protection
- Voltage surge protection
- Automatic diagnostic tester available
- Trickle charge circuitry for extended battery life
- Overcharge protection
- Push to test switch and LED indicators
- Flasher/buzzer options meet ADA regulations
- Low voltage disconnect eliminates deep discharge
- Brown-out protection
- ETL recognized maintenance-free lead calcium battery
- ETL listed 90 minute emergency run time, 24 hour recharge time
- EL (emergency lights) option available
- 25 year warranty
- 5 year pro-rated warranty on battery



The 600 Series is the brightest most visible sign in the industry in both normal and smoke-filled environments. Constructed of durable 20 gauge steel, the 600 Series direct view exit provides bright illumination with individual LEDs spelling the word EXIT.

DIMENSIONS

Height: 8¹/₂" • Width: 12³/₈" • Depth: 3³/₄"

CODE CONFORMANCE

ETL listed. Meets UL 924, NFPA 101 (Life Safety Code) NEC, OSHA and Energy Star illumination standards.

ORDERING INFORMATION

SERIES	POWER SOURCE	ENCLOSURE COLOR	OPTIONS	OPTIONAL HARDWARE	EL OPTION
602 = Red Single 603 = Red Double G602= Green Single G603= Green Double	LB = Less Battery WB = With Battery NC = Ni Cad* * Not Available with EL option	WH = White BL = Black CC = Custom (Please specify)	AT= Automatic Diagnostic Tester DL= LED Down Light FL= Flasher BZ= Audible Alarm FB= Flasher & Audible Alarm A1= Fire Alarm Interface w /Flasher A2= Fire Alarm Interface w / Flasher & Audible Alarm DR= Damp Location Rating 6V= 6 Volt DC Remote Emergency Power 12V= 12 Volt DC Remote Emergency Power 2CI= Two AC Circuit Inputs C*= Custom Color Faceplates MR1= 1" Remote Steel Unit MR2= Remote Twin Unit FM= Flush Mount Kit TF = 10 hour run time with Flasher / 5 hours continuous	TRH= Tamper Resistant Hardware TRT6= Tamper Resistant Tool ER1/Kit= 1' Pendant Kit ER2/Kit= 2' Pendant Kit E12= 12" Pendant Extension E24= 24" Pendant Extension	EL2A= Par 36 White Thermoplastic EL2B= Par 36 Black Thermoplastic EL2C= Par 18 White Thermoplastic EL2D= Par 18 Black Thermoplastic EL2E= Par 36 Brushed Aluminum EL2F= Par 36 White Aluminum EL2G= Par 36 Black Aluminum EL0= 18 Watts of Remote Capacity (No Lamps)

WARRANTY

Any component that fails due to manufacturer's defect is guaranteed for 25 years with a separate 5 year pro-rated warranty on the battery. The warranty does not cover physical damage, abuse or acts of God.



Specifications are subject to change without notice

FEATURES

- Enclosure constructed of 20 gauge galvanized steel
- Red or green high intensity LEDs
- Constant, uniform illumination
- 3/4" fully illuminated letters
- 1/8" protective polycarbonate lens
- Standard enclosure colors - white or black
- Chevron style universal arrow knockouts
- 120/277V dual primary, 60Hz input
- Short circuit protection
- Voltage surge protection
- 25 year warranty
- 5 year pro-rated warranty on battery
- Push to test switch located on bottom of enclosure
- Universal mounting, canopy included
- G2 Self-Test/Self-Diagnostics available
- Overcharge protected
- Flasher/Audible Alarm options meet ADA regulations
- Low voltage disconnect eliminates deep discharge
- Brown-out protection
- UL recognized maintenance-free NiCad battery (Lead-calcium battery standard on units with EL option)
- ETL listed 90 minute emergency run time, 24 hour recharge time
- EL (emergency lights) option available



702-WB-BL-FL



See page 83 for "SS" custom signage options



702-WB-BL-FL-EL2D

The 700 Series EXIT features high intensity red or green LEDs providing bright and uniform illumination.

DIMENSIONS

Height: 8¹/₈" • Width: 12³/₈"

Depth: SF: 2³/₄" - DF: 3³/₄"

WARRANTY

Any component that fails due to manufacturer's defect is guaranteed for 25 years with a separate 5 year pro-rated warranty on the battery. The warranty does not cover physical damage, abuse or acts of God.

CODE CONFORMANCE

Exitronix products are electrically safe and meet or exceed the following: UL 924, N.E.C. and N.F.P.A. Life Safety Code 101.

ORDERING INFORMATION

SERIES	POWER SOURCE	ENCLOSURE COLOR	OPTIONS	OPTIONAL HARDWARE	EL OPTIONS
702 = Red Single 703 = Red Double G702 = Green Single G703 = Green Double	LB = Less Battery WB = NiCad Battery	WH = White BL = Black CC = Custom Color (please specify)	G2 = Self-Test/ Self-Diagnostics DL = LED Down Light FL = Flasher BZ = Audible Alarm FB = Flasher & Audible Alarm A1 = Fire Alarm Interface w/Flasher A2 = Fire Alarm Interface w/Flasher & Audible Alarm SS = Custom Face Legend DR = Damp Location Rating 6V = 6 Volt DC Remote Power 12V = 12 Volt DC Remote Power 2CI = Two AC Circuit Inputs FM = Flush Mount Kit MR1 = 1" Remote Steel Unit MR2 = Remote Steel Unit TF = 10 hour run time with flasher / 5 hours continuous	TRH = Tamper Resistant Hardware TRT6 = Tamper Resistant Tool ER1/Kit = 1' Pendant Kit ER2/Kit = 2' Pendant Kit E12 = 12" Pendant Extension E24 = 24" Pendant Extension	(SINGLEFACE ONLY) EL2A = Par 36 White Thermoplastic EL2B = Par 36 Black Thermoplastic EL2C = Par 18 White Thermoplastic EL2D = Par 18 Black Thermoplastic EL2E = Par 36 Brushed Aluminum EL2F = Par 36 White Aluminum EL2G = Par 36 Black Aluminum EL0 = 18 Watts of Remote Capacity



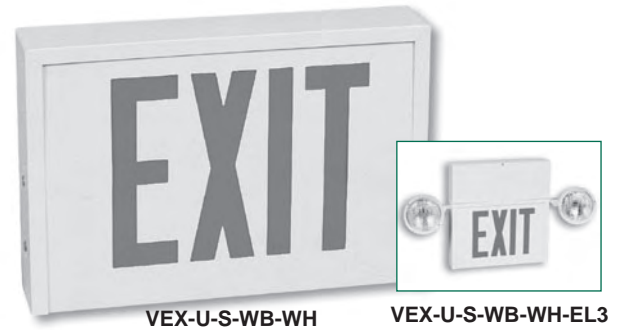
Specifications are subject to change without notice

STANDARD FEATURES

- Welded steel-housing
- Red or green high intensity LEDs
- 8" characters with 1" stroke available - meets New York City requirements
- Constant uniform illumination
- Fully illuminated letters
- Color matched diffuser provides optimal light output
- White-or-black-standard-enclosure-colors
- Universal mount, includes 2nd face and canopy
- Mounting canopy included
- Chevron style universal arrows
- 120/277V dual primary 60Hz input
- Short circuit protection
- Voltage surge protection
- 1 year warranty
- 5 year pro-rated warranty on battery
- Nickel cadmium battery (Exit Sign)
- Sealed lead calcium battery (Combo Unit)
- AC indicator and push-to-test switch
- Regulated circuit maintains constant light output throughout emergency mode
- Solid-state, constant current type charger
- Flasher/buzzer options meet ADA regulations
- Low voltage disconnect eliminates deep discharge
- Brown-out protection
- ETL listed, 90 minute emergency run time

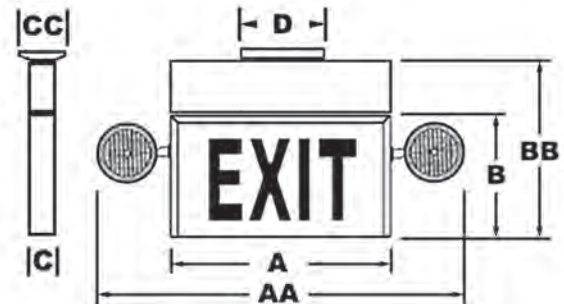
CODE CONFORMANCE

Exitronix products are electrically safe and meet or exceed the following: UL 924, N.E.C. and N.F.P.A. Life Safety Code 101.



Attractive and easy to install. The Value Series offers quality LED illumination and electronics in a steel enclosure. The Value Series is ideal for any commercial, institutional, or industrial application.

DIMENSIONS



	A	AA	B	BB	C	CC	D
6"	12 1/2"	25"	7 1/2"	12 1/8"	2 1/4"	4 1/4"	7 3/4"
8"	14 1/2"	27 1/4"	10 1/2"	15 1/8"	2 1/4"	4 1/4"	7 3/4"

WARRANTY

Any component that fails due to manufacturer's defect is guaranteed for 5 years. A separate 5 year prorated warranty on the battery allows you to install it and forget it. Warranty does not cover physical damage, abuse or acts of God.



ORDERING INFORMATION *Note: Factory installed side mount heads are standard on all combination units.*

MODEL	CHARACTER SIZE	FACE STYLE	ENCLOSURE TYPE	POWER	COLOR	OPTIONS	COMBINATION UNITS
VEX = Red GVEX = Green	Blank = 6" 8 = 8"	U = Universal (includes 2 face plates, back plate and mounting canopy)	S = Steel	LB = Less Battery WB = With Battery	WH = White	DR = Damp Rated WG = Wire Guard E1 = 1' Pendant Kit E2 = 2' Pendant Kit E12 = 12" Pendant Extension	ELC = Two 7.2 Watt H.I.T. Lamps, no remote capability

STANDARD FEATURES

- Ultra-compact, low-profile design
- Damp Location Rated
- Universal mount, includes canopy
- Energy saving LED design
- 1 year warranty
- Quick, easy snap-together design
- Durable polycarbonate housing
- Field-selectable universal arrows
- 120/277V dual primary input
- Available in white or black finishes
- Universal J-Box mounting pattern

WARRANTY

Any component that fails due to manufacturer's defect is guaranteed for 1 years from time of shipment. Warranty does not cover physical damage, abuse or acts of God.

CODE CONFORMANCE

Exitronix products are electrically safe and meet or exceed the following: UL 924, N.E.C. and N.F.P.A. Life Safety Code 101.

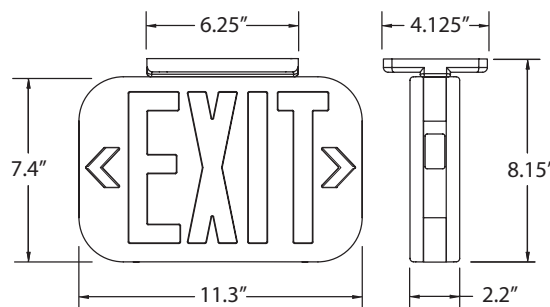
BATTERY BACK-UP

- Regulated circuit maintains constant light output throughout emergency mode
- Emergency power pack mounts inside exit housing
- Solid state, constant current type charger
- Brown-out protection



The Illuminex Series LED Exit Sign features a new, contemporary design with a modern-day appeal for today's building environments and energy-conscious consumers. The ILX is attractive, easy-to-install, and compact, with proven, ultra-reliable electronics to provide the very best in energy efficient emergency lighting. ILX units are completely self-contained, and feature universal mounting, canopy included.

DIMENSIONS



ORDERING INFORMATION

SERIES	FACE STYLE	POWER SOURCE	ENCLOSURE COLOR	OPTIONS
ILX	R = Red G = Green	AC = Less Battery EM = With Battery	WH = White BL = Black	G2 = Self Test/Self Diagnostics 2C1 = Two Circuit Input

Specifications are subject to change without notice

STANDARD FEATURES

- Damp location rated
- Easy to install, snap together design
- Long life, high output red or green LEDs
- Energy consumption less than 2 watts for red LEDs and less than 1 watt for green LEDs
- Injection-molded, UL94 V-0 flame rated, high impact, thermoplastic housing
- Molded wireways for internal wire routing and connections
- Universal J-Box mounting pattern
- Compact, low-profile design
- Universal mount, canopy included
- Replaceable chevron arrows
- Available in white or black finishes
- Ni-cad battery supplied in VEX-U-BP, lead calcium battery supplied in VEX-U-BP-R
- 120/277VAC dual input
- Overload/short circuit protected
- Voltage surge protected

WARRANTY

Any component that fails due to manufacturer's defect is guaranteed for 5 years from time of shipment. Battery is prorated for 5 years. Warranty does not cover physical damage, abuse or acts of God.

CODE CONFORMANCE

Exitronix products are electrically safe and meet or exceed the following: UL 924, N.E.C. and N.F.P.A. Life Safety Code 101.

ORDERING INFORMATION

SERIES	FACE STYLE	ENCLOSURE TYPE	POWER SOURCE	ENCLOSURE COLOR	OPTIONS
VEX = Red GVEX = Green	U = Universal	BP = Plastic	LB = Less Battery WB = With Battery	WH = White BL = Black	G2 = Self Test/Self Diagnostics* R = 12 Watts Remote Capacity R27= 27 Watts Remote Capacity DL = Downlight FL = Flasher BZ = Audible Alarm FB = Flasher/Audible Alarm A1 = Alarm Interface w/Flasher A2 = Alarm Interface w/Flasher & Audible Alarm VL = Vandal Lens E1 = 1' Pendant Kit E2 = 2' Pendant Kit SS = Specialty Sign* (Please Specify) 2CI = Two Circuit Input* * Not available on units with remote capacity



VEX-U-BP-WB-WH



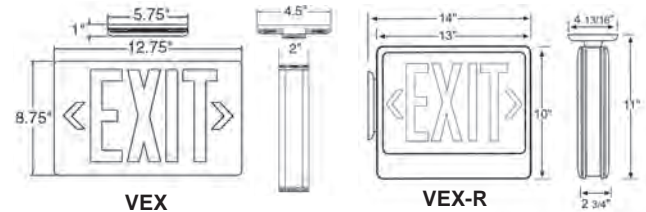
See page 83 for "SS" custom signage options



VEX-R

Attractive and easy to install. The Value Series combines quality LED illumination with contemporary, soft corner styling to compliment any application. Battery packs are completely self-contained and offer expanded wattages for remote lighting requirements.

DIMENSIONS



BATTERY BACK-UP

- Regulated circuit maintains constant light output throughout emergency mode
- Emergency power pack mounts inside exit housing
- Solid state, constant current type charger
- Brown-out protection
- Remote capabilities up to 27 watts (VEX-U-BP-R27)

Specifications are subject to change without notice

FEATURES

- Damp location rated
- Fully adjustable side-mounted 5 watt MR-16 halogen lamp heads
- Reliable, long-lasting LED illumination, uses less than 3 watts
- Optional G2 self-test/self-diagnostics available
- Universal, field-selectable chevrons
- Automatic brownout protection
- Compact, streamlined design
- Contractor friendly, snap-together design
- Built in conduit mounting feature
- UV stable, thermoplastic components
- UL 94-5VA flame rating
- 120/277V dual primary 60Hz input
- Automatic solid state charger
- Low voltage disconnect protects battery
- 1 year warranty
- Maintenance-free sealed lead calcium battery
- ETL Listed (conforms to UL924)
- 90 minute emergency run time
- Momentary test switch and LED charge indicator

CODE CONFORMANCE

Exitronix products are electrically safe and meet or exceed the following: UL 924, N.E.C. and N.F.P.A. Life Safety Code 101.

WARRANTY

Any component that fails due to manufacturer's defect is guaranteed for 1 year with a separate 5 year pro-rated warranty on the battery. The warranty does not cover physical damage, abuse or acts of God. Exitronix reserves the right to charge for such repairs if deemed necessary.

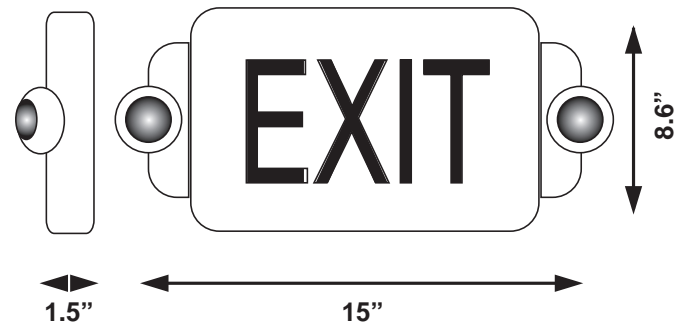
ORDERING INFORMATION

LED COLORS	MODEL	FACE STYLE	POWER	COLOR	LAMP HEADS	OPTIONS
Blank = Red G = Green	VEX	U = Universal (includes 2 face plates, back plate and mounting canopy)	WB = Battery Backup	WH = White BL = Black	EL50H = (2) 5 Watt Halogen Lamps	G2 = Self-Test/ Self-Diagnostics



The Exitronix VEX-EL50H Thermoplastic Combination Units combine a low-profile, contemporary appearance with economy and dependability. It's compact, streamlined design features fully adjustable designer heads to compliment any environment. Constructed of of an injection-molded, UL 94-5VA flame retardant, high-impact, thermoplastic housing, this durable unit will provide years of reliable service. The VEX-EL50H is completely self-contained, and features two 5 watt MR-16 halogen lamps. Red or green LED illumination consumes less than 3 watts, with an expected lamp life of 25 years or more.

DIMENSIONS



Specifications are subject to change without notice

FEATURES

- Damp location rated
- Fully adjustable, top-mounted 5 watt MR-16 halogen lamp heads
- Universal, field-selectable chevrons
- Automatic brownout protection
- Compact, streamlined design
- Contractor friendly, snap-together design
- Built in conduit mounting feature
- UV stable, thermoplastic components
- UL 94-5VA flame rating
- 120/277V dual primary 60Hz input
- Automatic solid state charger
- Low voltage disconnect protects battery
- 1 year warranty
- Maintenance-free sealed lead calcium battery
- UL Listed (conforms to UL924)
- 90 minute emergency run time
- Momentary test switch and LED charge indicator



The Exitronix VEX-EL55H Thermoplastic Combination Units combine a low-profile, contemporary appearance with economy and dependability. The VEX-EL55H is completely self-contained, and features two 5 watt MR-16 halogen lamps.

EXIT SIGNS

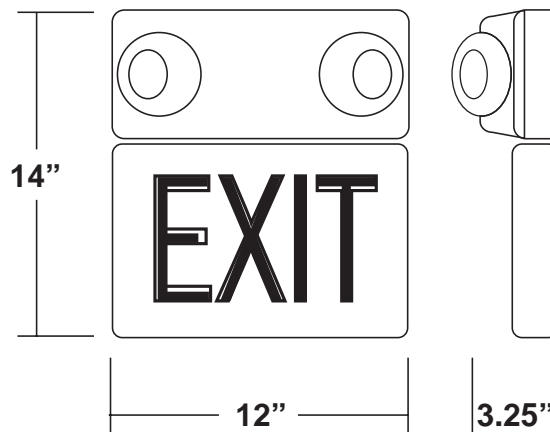
CODE CONFORMANCE

Exitronix products are electrically safe and meet or exceed the following: UL 924, N.E.C. and N.F.P.A. Life Safety Code 101.

WARRANTY

Any component that fails due to manufacturer's defect is guaranteed for 1 year with a separate 5 year pro-rated warranty on the battery. The warranty does not cover physical damage, abuse or acts of God. Exitronix reserves the right to charge for such repairs if deemed necessary.

DIMENSIONS



ORDERING INFORMATION

LED COLORS	MODEL	FACE STYLE	POWER	COLOR	LAMP HEADS
Blank = Red G = Green	VEX	U = Universal (includes 2 face plates, back plate and mounting canopy)	WB = Battery Backup	WH = White BL = Black	EL55H = (2) 5 Watt Halogen Lamps

Specifications are subject to change without notice

FEATURES

- Damp location rated
- Easy to install, snap together design
- Injection-molded, UL94 V-0 flame rated, high impact, thermoplastic housing
- Molded wireways for internal wire routing and connections
- Completely self-contained
- 6 volt, 5.4 watt high intensity tungsten (H.I.T.) lamps
- Remote capacity option provides 12 watts of remote power
- Available in white or black finishes
- Universal J-Box mounting pattern
- 120/277 VAC dual input
- Short circuit, voltage surge, brown-out and low battery voltage disconnect protected
- LED charge rate/power on indicator light
- Push test switch
- Meets ADA fixture requirements
- Maintenance-free sealed lead calcium battery
- ETL listed, 90 minute emergency run time



Exclusive low-profile design allows for mounting above doors and restricted spaces. The EL90 offers full 180° lamp rotation.

WARRANTY

Any component that fails due to manufacturer's defect is guaranteed for 5 years from time of shipment. Battery is prorated for 5 years. Warranty does not apply to damages caused by improper installation, abuse, fire or acts of God.

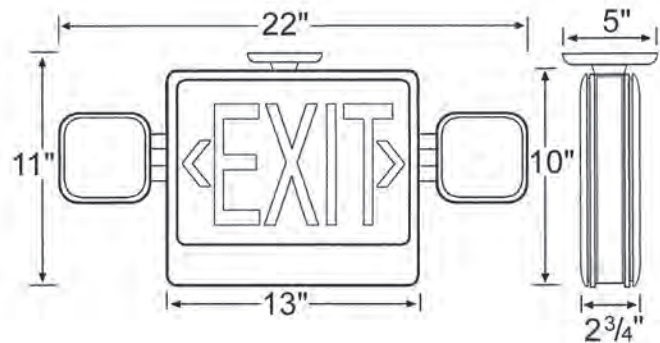
EXIT SIGN

- Factory assembled unit/LED exit sign
- Constant uniform illumination
- 6" letter with a 3/4" stroke
- Long-Life, high intensity, red or green LEDs
- Color matched diffuser for optimal light output
- Snap-in chevron type directional arrows
- Universal mount, canopy included

CODE CONFORMANCE

Meets UL 924, NFPA 101 (Life Safety Code) NEC, OSHA and Energy Star illumination standards. Meets state of Minnesota energy-efficient legislation requiring less than 20 watts of power consumption.

DIMENSIONS



ORDERING INFORMATION

SERIES	STYLE	ENCLOSURE TYPE	ENCLOSURE COLOR	TYPE	OPTIONS
VEX = Red GVEX = Green	U = Universal	BP = Plastic	WH = White BL = Black	EL90	G2 = Self Test / Self Diagnostics* R = Remote Capacity (12 Watts) DL = LED Down Light WG7 = Wire Guard

*Not available on units with Remote capacity

Specifications are subject to change without notice

FEATURES

- Unique "swingarm" lamp heads can be mounted on the side or top of the unit without disassembly or rewiring
- Fully adjustable 5.4 watt lamp heads
- Red or green high intensity LEDs
- Contractor friendly, snap-together design
- Constant uniform illumination
- Universal configuration, single or doubleface
- Wall or ceiling mounted
- Damp location rated
- UV stable, white thermoplastic housing
- UL 94V-0 flame rating
- Mounting canopy included
- Field-selectable universal arrows
- 120/277V dual primary 60Hz input
- Low voltage disconnect
- Damp location listed
- Maintenance-free, sealed lead-calcium battery
- Additional battery available for 12 watts of remote load or extended run time unit.
- UL 924 Listed

CODE CONFORMANCE

Exitronix products are electrically safe and meet or exceed the following: UL 924, N.E.C. and N.F.P.A. Life Safety Code 101.

WARRANTY

Any component that fails due to manufacturer's defect is guaranteed for 5 years with a separate 5 year prorated warranty on the battery. The warranty does not cover physical damage, abuse or acts of God. Exitronix reserves the right to charge for such repairs if deemed necessary.

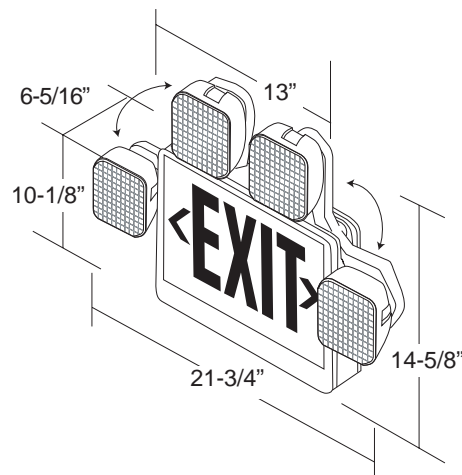
ORDERING INFORMATION

LED COLORS	MODEL	FACE STYLE	POWER	COLOR	COMBINATION UNITS	OPTIONS
Blank = Red G = Green	VEX	U = Universal (includes 2 face plates, back plate and mounting canopy)	WB = With Battery	WH = White	EL95 = Two 5.4 Watt Lamps	R = Remote Capable



The re-engineered VEX-EL95 series combination emergency exit is even more "contractor friendly" than ever. The fully adjustable lamp heads can be configured for top mounted, side mounted, or anywhere in between without disassembly or re-wiring. Constructed of durable, UV stabilized thermoplastic, the VEX-EL95 will provide years of reliable service. Universal configuration takes the guesswork out of ordering; all units come complete with two exit faces, backplate, and mounting canopy.

DIMENSIONS



Specifications are subject to change without notice

FEATURES

- UV stabilized, impact & corrosion resistant ABS plastic enclosure, grey finish
- Wet Location Rated
- One-piece molded, weather-proof gasket
- External LED status indicator and test switch
- Face secured with polycarbonate pressure screws
- Removable chevron style arrows
- Completely self-contained
- Maintenance-free Ni-Cad battery rated 0° to 40°C (exit)
- Maintenance-free sealed lead calcium battery rated 19° to 30°C (combo unit)
- 120/277 VAC operation
- Regulated charging unit
- Brown-out, reverse polarity and short-circuit protected
- Low voltage battery disconnect

EMERGENCY HEADS

Constructed of high-impact thermoplastic complete with integrated mounting feet to ensure a proper and secure installation. Units are supplied with two top or side mounted 7.2 watt Par 36 style heads. Heads are provided in the standard industrial gray finish to match the unit.

WARRANTY

3 years full electronics warranty. 5 year prorated lead calcium battery warranty. 5 year full plus 10 year prorated nickel cadmium battery warranty. Warranty does not cover physical damage, abuse or acts of God.

ORDERING INFORMATION

SERIES	# OF FACES	LED COLOR	OPERATION	EMERGENCY HEADS	OPTIONS
VRC	1 = Single Face	R = Red G = Green	WB = Battery Back-up LB = AC Only	T = Top Mounted S = Side Mounted	SS = Custom Face Legend



VRC-1-R-WB-T



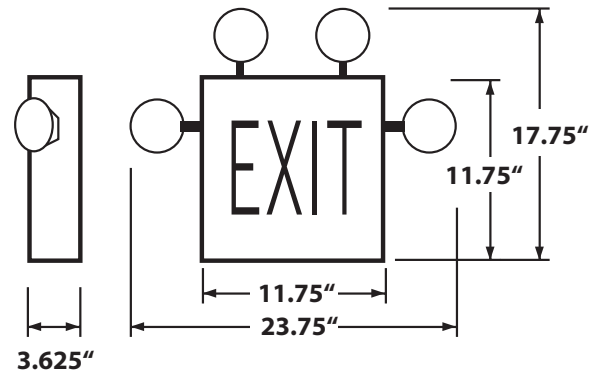
See page 83 for "SS" custom signage options



VRC-1-R-WB-FL

The VRC Series is engineered to perform in the most extreme environments. A fully gasketed polycarbonate lens and ABS housing enable the VRC to be installed in locations that require Wet Location Rated protection. Optional weather-proof Par 36 emergency lighting heads can also be installed on this unit.

DIMENSIONS



CODE CONFORMANCE

Exitronix products are electrically safe and meet or exceed the following: UL 924, N.E.C. and N.F.P.A. Life Safety Code 101.

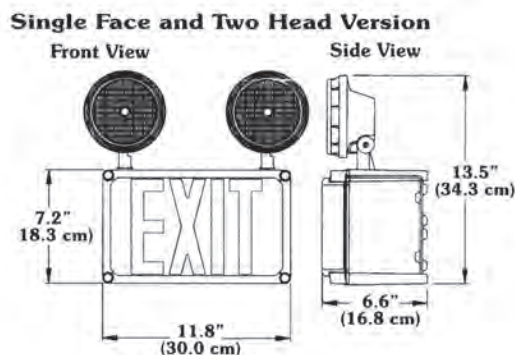
FEATURES

- Completely self-contained
- Utilizes direct view LEDs
- AC indicator lamp and test switch
- Available in AC only, battery back-up (Ni-Cad only), or combo unit with 2 heads (lead calcium battery only)
- Fully automatic operation
- Low voltage disconnect, protects battery from deep discharge
- 120/277 VAC dual voltage input
- Surge-protected, solid-state circuitry
- Regulated charge voltage
- AC lockout
- Brown-out protection
- Constructed of impact resistant, fiberglass reinforced polyester with a polycarbonate lens cover
- Rated for NEMA 3, 3r, 4, 4x, 6, 12 & 13 areas
- UL Listed



The RC Series Exit provides excellent emergency signage and lighting while withstanding industrial and wet environments. The NEMA Series Exit should be used when durability and harsh environments are a concern.

DIMENSIONS




WARRANTY

3 years full electronics warranty. Five year full nickel cadmium battery warranty. One year full lead calcium battery warranty. Warranty does not cover physical damage, abuse or acts of God.

CODE CONFORMANCE

Exitronix products are electrically safe and meet or exceed the following: UL 924, N.E.C. and N.F.P.A. Life Safety Code 101, NEMA 3, 3R, 4, 4X, 6, 12 & 13 AREAS

ORDERING INFORMATION

SERIES	# OF FACES	POWER SOURCE	FACTORY INSTALLED OPTIONS
RC = NEMA LED Exit	1R = Single Face Red 1G = Single Face Green	LB = AC Only NC = Emergency Operation Ni-Cad Battery (Exit Only) AD = AC/DC Operation* EL = Two Head Combination Lead Calcium Battery	A1 = 24V Fire Alarm Interface FL = Flasher DR = Damp Rated WL = Wet Location Listed 2C11 =120V Two Circuit Input 2C17 =277V Two Circuit Input TRH = Tamper resistant Hardware T = Special Input Transformer - Must indicate voltage and frequency
		<p>**AD** option includes an 8 to 48 VDC module which will illuminate LEDs from Extreme DC Source.</p>	

Specifications are subject to change without notice

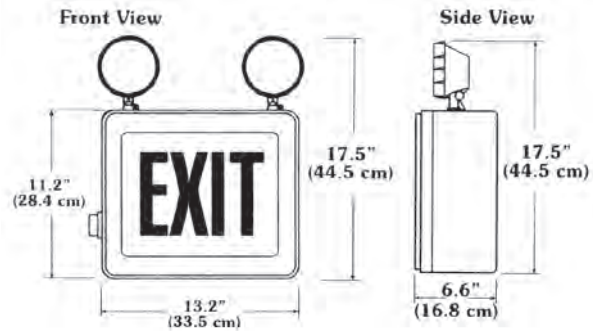
FEATURES

- Completely self-contained
- Utilizes direct view LEDs
- AC indicator lamp and test switch
- Available in AC only, battery back-up (Ni-Cad only), or combo unit with 2 heads (sealed lead calcium battery only)
- Fully automatic operation
- Low voltage disconnect
- 120/277 VAC dual voltage input
- Surge-protected, solid-state circuitry
- Regulated charge voltage
- AC lockout
- Brown-out protection
- Rated for Class 1, Division 2, Groups A, B, C & D, Zone 2, Groups 11A, 11B, + H2 & 11C and Class II, Division 2, Groups F & G
- Rated for NEMA 4, 4x, 6, 12 & 13 areas
- UL Listed



The RZ Series LED Exit combines energy-saving LED technology, the added safety of an exit sign and emergency lighting combination, and a durable enclosure suitable for hazardous locations.

DIMENSIONS



WARRANTY

3 years full electronics warranty. One year full plus 4 year prorated battery warranty. Warranty does not cover physical damage, abuse or acts of God.

EXIT SIGN ORDERING INFORMATION

SERIES	BATTERY	# OF FACES	LETTER COLOR	FACTORY INSTALLED OPTIONS
RZ6 = Hazardous Location LED Exit	LB = AC Only NC = NiCad Battery	1	R = Red G = Green	ST = Self Test STA = Self Test w/Alarm TA = 120 VAC Time Delay TB = 277 VAC Time Delay S = Shatterproof Lens T = Special Input Transformer* *Specify voltage and frequency

COMBO UNIT ORDERING INFORMATION

SERIES	BATTERY WATTAGE	# OF FACES	LETTER COLOR	# OF HEADS	FACTORY INSTALLED OPTIONS
RZ6 = 6 Volt Lead Calcium	L6 = 6 watt L12 = 12 Watt L24 = 24 Watt L60 = 60 Watt	1	R = Red G = Green	0 = No Head 1 = 1 Head 2 = 2 Heads	ST = Self Test STA = Self Test w/Alarm TA = 120 VAC Time Delay TB = 277 VAC Time Delay S = Shatterproof Lens T = Special Input Transformer* *Specify voltage and frequency

Note: Some option configurations may impact UL listing. Consult factory for specifics.



Specifications are subject to change without notice

FEATURES

- Consumes no electricity
- 100% reliable, no internal parts to burn-out
- Non-toxic, non-radioactive
- Low-cost, easy installation
- Designed for surface, flag or ceiling mounting
- Can be used for both high-level and low-level applications
- Maintenance-free for 25+ years
- Thin, low profile, .035 steel frame construction
- Consistent, uniform, high visibility illumination
- Removable chevron arrows for directional indication

WHAT IS EXI-GLOW?

A non-toxic, non-radioactive film that glows in the dark. Exi-Glow absorbs and stores energy from any ambient or UV light source, it then releases this energy in the event of darkness. This process works in 2 phases. The initial phase consists of a strong immediate glow, followed by a decrease of the initial brilliance within the first ninety minutes.

CODE CONFORMANCE

Listed to UL 924, IEC ES #6040 meeting all current building codes: 1997 Uniform Building Code™, the 2000 International Building Code®, the BOCA® National Building Code/1999 and the 1999 Standard Building Code©. Meets NFPA Life Safety Code 101® and 101B®, NFPA 5000 Building Construction & Safety Code™, 1998 California Building Code, 1998 California Fire Code, 2003 International Building Code® and OSHA.



Exi-Glow Exit Signs utilize the latest photoluminescent technology to absorb and store ambient fluorescent, metal halide or mercury vapor light. In the event of an emergency with blackout or smoky conditions this stored energy is immediately visible, creating a clearly recognizable, photoluminescent egress indicator.



ORDERING INFORMATION

Exit Black	Exit Red	Exit Green	Exit White	Sortie Red	Description
PL-1-F-1-B	PL-1-F-1-R	PL-1-F-1-G	PL-1-F-1-W	PL-1-F-1-R-S	Framed, Single face sign (wall mount)
PL-1-F-2-B	PL-1-F-2-R	PL-1-F-2-G	PL-1-F-2-W	PL-1-F-2-R-S	Framed, Single face sign with mounting bracket
PL-2-F-2-B	PL-2-F-2-R	PL-2-F-2-G	PL-2-F-2-W	PL-2-F-2-R-S	Framed, Double face sign with mounting bracket
PL-MB-B	PL-MB-R	PL-MB-G	PL-MB-W	PL-MB-R	Mounting bracket
	PL-1-U-1-R	PL-1-U-1-G		PL-1-U-2-R-S	Unframed, single face sign (wall mount), printed letters
	PL-1-U-1-R-RL	PL-1-U-1-G-GL			Unframed, single face sign (wall mount), reflective letters
	PL-1-U-1-R-NY				Unframed, single face sign, 8" NYC approved
*PL-CMC	Clear mounting clip (4 pc/bag & 10 bag/case)				

Specifications are subject to change without notice

FEATURES

- Self-powered, always illuminated. Sign provides constant, uninterrupted illumination and requires no external power source
- Quick, easy universal mounting, no wiring needed
- Maintenance-free unit, contains no circuitry, lamps or batteries to replace
- Energy efficient, consumes zero electricity during effective life of 10, 15, or 20 years
- Available with legend colors red, green or black
- Optional security lens available
- Constant, uniform illumination
- Fully illuminated 6" letters with 3/4" stroke
- Extreme temperature rated, unit is rated to operate in temperatures from -65°F to 176°F
- Explosion-proof, contains no electrical components or spark producing matter, ideal for hazardous location applications
- Suitable for wet and damp locations
- Vibration-proof
- Custom legends or pictures available
- Meets UL 924 and NFPA Life Safety Code requirements

"IF" OPTION FEATURES

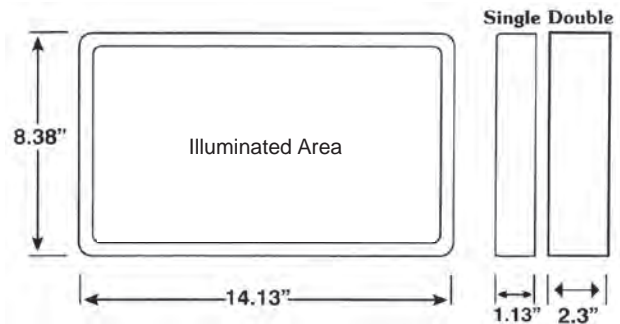
(all of the above, plus...)

- Attractive, heavy duty, tapered, cast aluminum frame, ideal for any institution or high abuse areas
- Solid 3/8" thick vandal-resistant polycarbonate lens
- No sharp edges or corners
- Available in both single and double face configuration
- Approved for low-level or above door use



Exitronix Self Luminous Signs are the practical solution for Exit and Safety Signs where electricity is unavailable. These signs are totally self-contained, durable and attractive. They are completely free of outside energy sources and provide 10 to 20 years of continuous, maintenance-free illumination.

DIMENSIONS



CODE CONFORMANCE

UL and ETL listed, per UL standard 924 and NFPA Life Safety Code 101 (5-10.3) and British Standard 5499. Meets requirements of BOCA and ICBO.

WARRANTY

Our Self Luminous Products are warranted against any defects in material or workmanship for the rated life of the product. We will replace any product free of charge that does not meet our stated specifications.

ORDERING INFORMATION

SERIES	LEGEND	PRODUCT LIFE	HOUSING COLOR	OPTIONS
PXP = Plastic Housing	1B = Single Face Black 2B = Double Face Black 1G = Single Face Green 2G = Double Face Green 1R = Single Face Red 2R = Double Face Red 1W = Single Face White 2W = Double Face White	10 = 10 Years 15 = 15 Years 20 = 20 Years	WH = White BL = Black BA = Brushed Aluminum GR = Gray	IF = Institutional Frame WG = Wireguard

Specifications are subject to change without notice

EMERGENCY LIGHTS

FEATURES

- Comes standard with G2 Self-Test/Self-Diagnostics.
- Following AC power failure, cover doors open instantly and provide emergency lighting to area required, with automatic retraction when AC power is restored.
- Cover doors may be color matched, textured, or even wall-papered to match any interior finish. When closed in normal mode, the unit is almost invisible.
- Recessed wall or ceiling mount.
- Doors are operated automatically using a spring and solenoid with magnetic latch for years of worry-free operation.
- Flush fitting covers feature internal reflective surfaces to maximize light output.
- No unauthorized access to lamp heads prevents tampering.

LIGHTING

- Dual MR16 quartz halogen lamps available in 20, 35, 50, or 75 watts.
- Lamps have a life of up to 5,000 hours, most installations will never require replacement.
- Swivel mounted lamps are fully adjustable and lock into the desired position.

ELECTRONICS

- Universal AC input 120/277 VAC.
- Low power consumption in standby mode.
- Isolated switch mode power supply with regulated current and voltage output to lamp load and battery.
- Automatic, controlled charge rate for fast charged and maximum battery life.

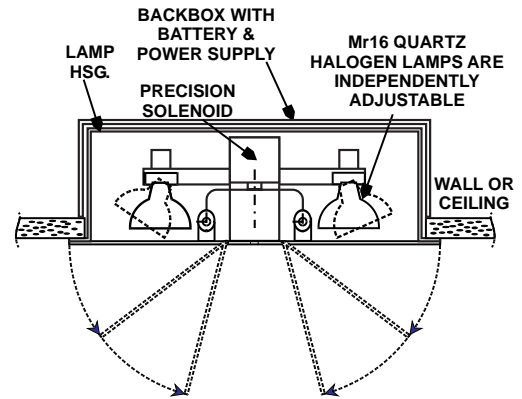
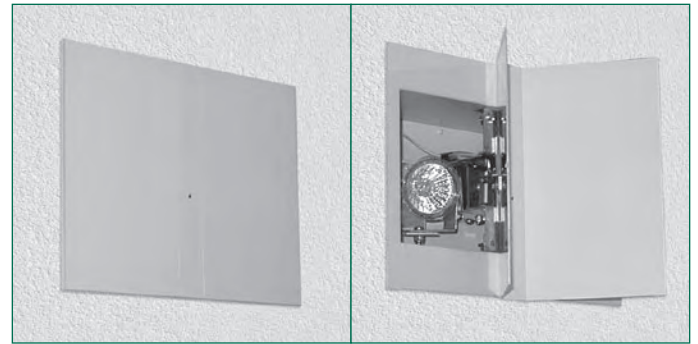
AUTOMATIC BATTERY DIAGNOSTICS

- Advanced microprocessor continuously monitors all charger functions and battery condition.
- Automatically performs all tests and visual indications as required by UL 924.
- Multicolor LED diagnostic display.
- Optional full-function alpha-numeric display (remote test panel).

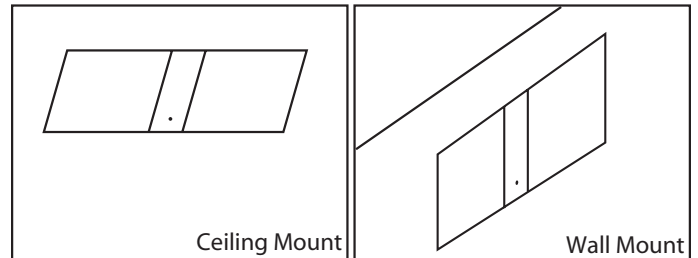
ORDERING INFORMATION

MODEL	LAMP WATTAGE	BATTERY TYPE	BATTERY RUN TIME	OPTIONS
S = Stealth	20 35 50 75	WB = Sealed Lead Calcium ¹ NC = Nickel Cadmium NM = Nickel Metal Hydride ²	BLANK = 90 MIN 2 = 2 Hour 4 = 4 Hour ³	RTP = Remote Test Panel DR = Suitable for Damp Location SM = Surface Mount CF (X) = Custom Finish (X = Color Selection)

¹ Not available on 75 watt units.
² Only available on 75 watt units.
³ Only available on 20 watt units.



NORMAL MODE- CLOSED



CODE CONFORMANCE

Exitronix products are electrically safe and meet or exceed the following: UL 924, N.E.C. and N.F.P.A. Life Safety Code 101.



WARRANTY

Any component that fails due to manufacturer's defect is guaranteed for 5 years, with a 5 year prorated warranty on the battery. Warranty does not apply to damages caused by improper installation, abuse, fire or acts of God.

Specifications are subject to change without notice

FEATURES

- Contemporary, low-profile, streamlined design
- Suitable for Damp or Wet Locations (0° to 50° C)
- Optional Cold Weather package (-20° to 50° C)
- 2 x 6V 6W Xenon lamps for emergency mode.
- Durable die-cast aluminum housing
- Optional remote unit available
- Standard G2 Self-Test/Self-Diagnostics
- UV stable polycarbonate lens and mirrored reflector
- UL94-5VA flame rating on polycarbonate components
- Test switch and charge rate indicator.
- Wall mounted
- 120/277V dual primary 60Hz input
- Nickel cadmium battery delivers more than the required 90 minutes capacity to emergency lamps
- Quick connect mounting back plate
- Optional LED lamps with sensor provide decorative lighting at night when unit is not in emergency mode
- Low voltage disconnect
- 5 year warranty

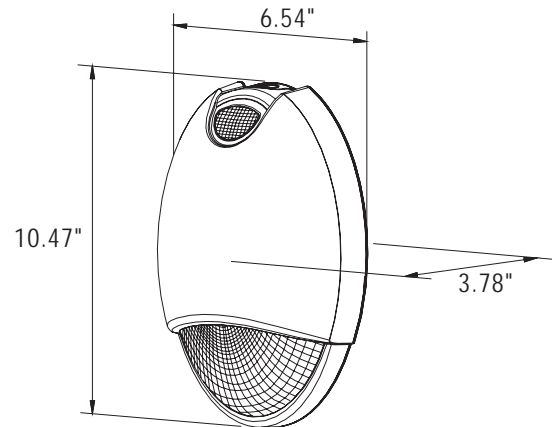
WARRANTY

Any component that fails due to manufacturer's defect is guaranteed for 5 years with a separate 5 year pro-rated warranty on the battery. The warranty does not cover physical damage, abuse or acts of God. Exitronix reserves the right to charge for such repairs if deemed necessary



The Exitronix Triton series is ideal for applications where low-profile, architectural emergency egress lighting is required. Contemporary design and durable die-cast aluminum construction provide attractive, reliable egress lighting that blends seamlessly into any exterior design. Perfect for damp, wet, or cold environments.

DIMENSIONS



ORDERING INFORMATION

SERIES	STYLE	COLOR	OPTIONS**
TR = Triton	WB = NiCad Battery RM = Remote Unit*	WH = White BL = Black BR = Dark Bronze	CL = Cold Location Package SRG = Green LED & Sensor SRB = Blue LED & Sensor SRA = Amber LED & Sensor SRW = White LED & Sensor

* Does not include battery or charging circuit, requires separate 6 volt power supply.

** Not available on Remote Units

See page 69 for more information on remote units in this style!

Specifications are subject to change without notice

EMERGENCY LIGHTS

STANDARD FEATURES

- Decorative, low profile design
- Acrylic prismatic lens provides bright, even illumination
- Surface mount units feature thermoplastic construction with black base and white frame
- Recessed mount units feature a rugged steel housing and trim in neutral cream finish
- Fast, easy installation in suspended T-grid or drywall ceilings
- High output 8 watt Halogen lamp
- Maintenance-free lead calcium battery (optional NiCad batteries available)
- 90 Minutes of emergency illumination
- 120/277V dual primary 60Hz input
- Automatic low voltage battery disconnect
- Automatic brownout protection
- Momentary test switch and AC ready indicator
- UL924 listed

WARRANTY

Any component that fails due to manufacturer's defect is guaranteed for 3 years. A separate 5 year pro-rated warranty on the battery allows you to install it and forget it.

CODE CONFORMANCE

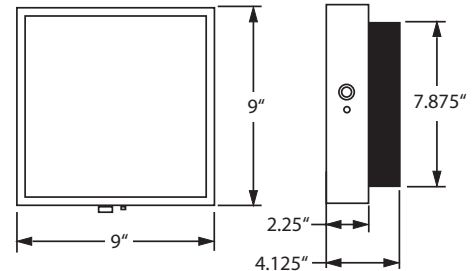
Exitronix products are electrically safe and meets or exceeds the following: UL 924, N.E.C. requirements and N.F.P.A. Life & Safety Code 101



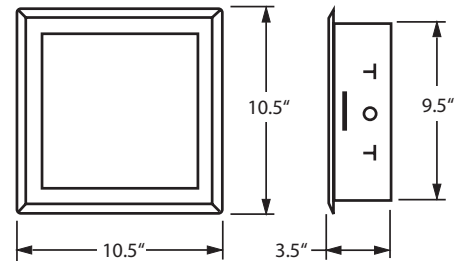
Exitronix SQS Series Emergency Lighting Units are designed to combine both beauty and performance. Available in surface, semi-recessed, or fully-recessed mounting configurations.

DIMENSIONS

Surface Mount



Recessed Mount



EMERGENCY LIGHTS

ORDERING INFORMATION

SERIES	VOLTAGE	BATTERY	WATTAGE	OPTIONS
SQS = Surface	6 = 6 Volt 12 = 12 Volt	BLANK = Lead Calcium NC = NiCad	<u>6 Volt - Lead Calcium</u> 12 = 12 Watt 24 = 24 Watt 24T = 24 Watt w/Twin Lamps <u>12 Volt - Lead Calcium</u> 24 = 24 Watt <u>6 Volt - NiCad</u> 12 = 12 Watt	FR = Fully Recessed Mounting SR = Semi-Recessed Mounting (SQS Only) V = Voltmeter 220= 220VAC, 50Hz Input G2 = Self-Test/Self-Diagnostics BL = Black Housing

Specifications are subject to change without notice

FEATURES

- Very low profile design
- Rugged steel housing and trim ring in neutral cream finish
- Mounting plate allows fast, easy installation in suspended T-grid or drywall ceilings
- Adjustable, glare-free lighting head
- Maintenance-free lead calcium battery standard
- Optional Nickel Cadmium batteries
- 90 Minutes of emergency illumination
- Universal 120/277VAC input
- Fully automatic, temperature compensating, variable rate float charger standard
- Automatic low voltage battery disconnect protects battery from deep discharge
- AC lockout feature reduces installation time
- Momentary test switch
- AC ready indicator
- Meets NFPA Life Safety Code 101, NEC Local and State Codes
- Meets CCEA plenum rating requirements
- UL924 listed
- Standard 7.2 watt lamp

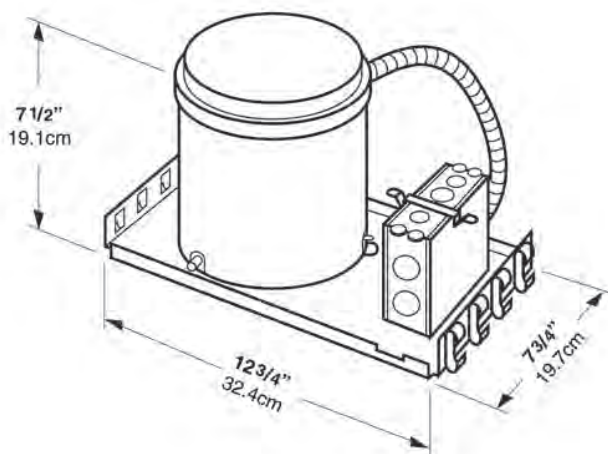
CODE CONFORMANCE

Exitronix products are electrically safe and meets or exceeds the following: UL 924, N.E.C. requirements and N.F.P.A. Life & Safety Code 101



The RDG series emergency luminaire has been designed to be fully recessed and blend in with the surrounding environment. The gimbal assembly use corrosion and flame resistant lightweight aluminum. All RDG electronics are fully self-contained within the housing; this allows for easy handling and effortless installation. The standard trim plate comes finished in powder coat white.

DIMENSIONS



ORDERING INFORMATION

SERIES	OUTPUT VOLTAGE	OUTPUT WATTAGE	OPTIONS
RDG = Recessed Gimble	6 = 6 volt	12 = 12 watt	H = 8W Halogen Sealed Beam Lamp
RDG-N = Recessed Gimble NiCad Battery			NCB = Nickel Cadmium Battery
			BL = Black Finish
			220 = 220VAC, 50Hz

See page 70 for remote units in this style!

Specifications are subject to change without notice

FEATURES

- RM6 (steel) comes standard with two 6 volt 7.2 watt lamps
- RM (plastic) available in multiple lamp configurations
- Rugged steel or heavy-duty plastic construction
- Compact, flush-mounted design
- Maintenance-free, lead calcium or NiCad battery
- Automatic Low Voltage Disconnect
- Dual input 120/277 volt 60Hz
- Push to test switch, LED charge indicator
- Mounting bar hangers standard on steel unit
- Optional G2 self-test/self-diagnostics available
- 90 min + emergency run time

CODE CONFORMANCE

Exitronix products are electrically safe and meet or exceed the following: UL 924, N.E.C. and N.F.P.A. Life Safety Code 101.

WARRANTY

3 years full electronics warranty. 5 year prorated lead calcium battery warranty. 5 year full plus 5 year prorated nickel cadmium battery warranty. Warranty does not cover physical damage, abuse or acts of God

STEEL ORDERING INFORMATION

SERIES/ BATTERY	OPTIONS
RM6 = 6V, 7.2W Lamps	BL = Black Housing

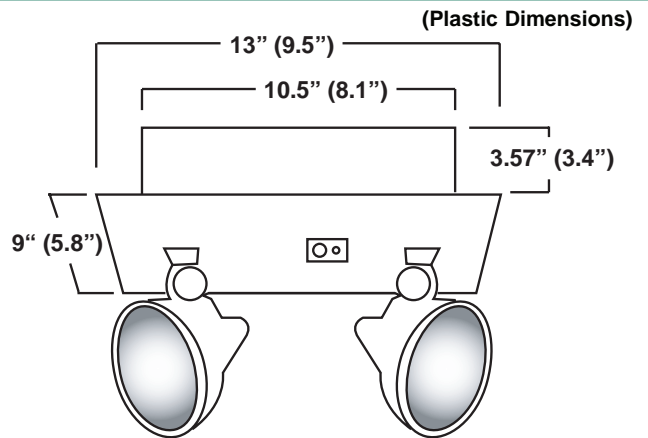
PLASTIC ORDERING INFORMATION

SERIES/ BATTERY	LAMP HEADS	# OF HEADS	OPTIONS
RM618 = 18 watt lead calcium RM625 = 25 watt lead calcium RM6N14 = 14 watt Ni-Cad RM6N28 = 28 watt Ni-Cad	6V Rectangular Wedge Base P1D = 5.4 watt P2D = 7.2 watt P3D = 9 watt 6V Round Wedge Base T1A = 5.4 watt T2A = 7.2 watt T3A = 9 watt T7A = 7 watt halogen T8A = 10 watt halogen T9A = 12 watt halogen 6V Par 36 Sealed Beam R1G = 8 watt R9G = 8 watt halogen	2 = two heads	G2 = Self-Test/Self-Diagnostics V = Voltmeter BK-1 = T-Bar mounting kit



The RM & RM6 Series Recessed Emergency Light will compliment any decor, offering a low profile, unobtrusive design. Offered in both heavy-duty thermoplastic and rugged steel configurations.

DIMENSIONS



EMERGENCY LIGHTS



Specifications are subject to change without notice

FEATURES

- 6 or 12 Volt, 27 to 54 Watt
- Accepts up to four lamp heads
- Approved for use in City of Chicago
- Rugged 20 gauge steel housing with white powder coated finish
- Optional G2 self-diagnostics available
- Maintenance-free, sealed lead acid batteries
- Test button and LED charge indicator light
- 120/277 VAC input
- UL listed



The Recessed T-Bar CR Series combines performance and dependability into a rugged 20 gauge enclosure. Designed specifically for T-bar type ceiling grid systems, this recessed installation provides a clean, architectural appearance. The CR Series is available with a wide range of lamp heads to fit any application.

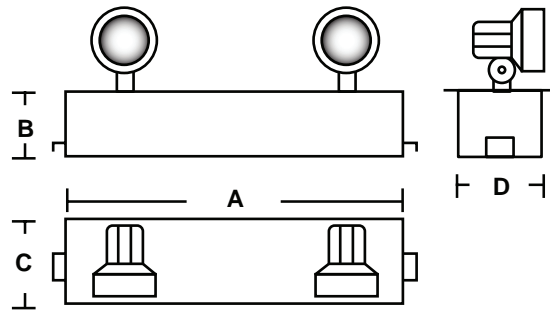
WARRANTY

Any component that fails due to manufacturer's defect is guaranteed for 5 years with a separate 5 year pro-rated warranty on the battery. The warranty does not cover physical damage, abuse or acts of God. Extronix reserves the right to charge for such repairs if deemed necessary

CODE CONFORMANCE

Extronix products are electrically safe and meets or exceeds the following: UL 924, N.E.C. requirements and N.F.P.A. Life & Safety Code 101

DIMENSIONS



A	B	C	D
23.75"	7.8"	4.625"	3.125"

ORDERING INFORMATION

MODEL	WATTAGE	LAMP HEADS	# OF HEADS	OPTIONS
CR6 = 6 Volt CR12 = 12 Volt	6 Volt 18 27 36 54 12 Volt 27 36 54	<u>6V TUNGSTEN WEDGE BASE</u> T1A = 5.4 Watt T2A = 7.2 Watt T3A = 9.0 Watt <u>6V HALOGEN</u> T9A = 12 Watt <u>12V TUNGSTEN WEDGE BASE</u> T4A = 9.0 Watt T5A = 12.5 Watt T6A = 17.9 Watt <u>12V SEALED BEAM HALOGEN</u> R11G = 8 Watt R12G = 12 Watt (Suggested heads are listed above)	0 = No Head 1 = 1 Head 2 = 2 Heads 3 = 3 Heads 4 = 4 Heads	G2 = Self Test / Self Diagnostics G2AA = G2 w/Audible Alarm TA = 120V Time Delay TB = 277V Time Delay LC = 3' Line Cord



Specifications are subject to change without notice

EMERGENCY LIGHTS



The LL30 offers a low-profile contemporary design that has been engineered with versatility, durability and architectural appeal in mind. Damp location protection is provided with every unit.



ORDERING INFORMATION

SERIES	OPTIONS
LL30 = 6V, 5.4W Tungsten Lamps LL30H = 6V 5W Halogen Lamps	G2 = Self-Test/Self-Diagnostics NM = Nickel Metal Hydride Battery* BL = Black Housing <i>*Not available with G2 option</i>

LL50H FEATURES

- Damp location rated
- Fully adjustable 5 watt halogen MR-16 lamp heads
- Optional G2 self-test/self diagnostics available
- Automatic brownout protection
- Compact, streamlined design
- Contractor friendly, snap-together design
- AC lockout feature reduces installation time
- UV stable, thermoplastic components
- UL94-5VA flame rating
- 120/277V dual primary 60Hz input
- Automatic solid state charger
- Quick connect mounting back plate
- 1 year warranty
- UL Listed (conforms to UL924)
- 90 minute emergency run time
- Momentary test switch and LED charge indicator
- Maintenance-free sealed lead-calcium battery

DIMENSIONS

12"W x 5.5"H x 3.25"D

LL30 FEATURES

- Damp location rated
- Injection-molded, UV stabilized, flame rated thermoplastic housing and diffuser
- Universal mounting
- 6 volt, 5.4 watt Tungsten or 5 watt halogen fully adjustable lamp heads
- Completely self-contained
- Optional G2 Self-Test/Self-Diagnostics available
- Maintenance-free sealed lead-calcium battery
- Optional Nickel Metal Hydride battery
- 120/277 VAC operation
- Regulated charging circuit
- AC lockout
- Brown-out, reverse polarity and short-circuit protected
- Low voltage battery disconnect

DIMENSIONS

12"W x 5.5"H x 3.25"D



The Exitronix LL50HT combines a low-profile, contemporary appearance with economy and dependability. It's compact, streamlined design features fully adjustable 5 watt MR-16 halogen lamp heads to compliment any environment.



ORDERING INFORMATION

SERIES	OPTIONS
LL50H = 6V, 5W Halogen Lamps	G2 = Self-Test/Self-Diagnostics BL = Black Housing

Specifications are subject to change without notice

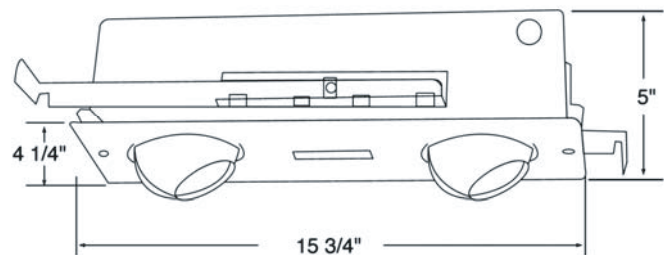
FEATURES

- Recessed low profile design
- Damp location listed
- Remote capability
- Optional G2 self-test/self-diagnostics
- Two fully adjustable 7W MR16 lamps with front glass covers
- Fully automatic operation
- Lead-Calcium Battery
- Contractor friendly, snap-together design
- AC lockout feature reduces installation time
- Wall or ceiling mounted
- UV stable, thermoplastic components
- UL94-5VA flame rating
- 120/277V dual primary 60Hz input
- Automatic solid state charger
- Quick connect mounting back plate
- Low voltage disconnect
- 1 year limited warranty
- 10 year expected battery life
- ETL Listed (conforms to UL924)
- Momentary test switch and LED charge indicator



Equipped with (2) 7 watt halogen MR16 lamps, this recessed emergency light automatically provides 90 minutes operation upon power failure.

DIMENSIONS



WARRANTY

Any component that fails due to manufacturer's defect is guaranteed for 1 year with a separate 5 year pro-rated warranty on the battery. The warranty does not cover physical damage, abuse or acts of God. Exitronix reserves the right to charge for such repairs if deemed necessary.

CODE CONFORMANCE

Exitronix products are electrically safe and meet or exceed the following: UL 924, N.E.C. requirements and N.F.P.A. Life & Safety Code 101.

ORDERING INFORMATION

SERIES

LL50H-RM = Recessed Emergency Light

OPTIONS

G2 = Self-Test/Self-Diagnostics



Specifications are subject to change without notice



The Exitronix LL50H-N4 is ideal for wet locations, resistant to corrosive atmospheres, non-hazardous dust environments, and to water spray, splashing water, or hose down locations. The adjustable halogen lamps are enclosed in a fully gasketed, corrosive resistant fiberglass enclosure designed to withstand the harshest environments.

ORDERING INFORMATION

SERIES	OPTIONS
LL50H-N4	G2 = Self-Test/Self-Diagnostics

LL60 FEATURES

- 120/277 volt input
- Completely self contained
- Self-connecting AC power plug
- 6 volt 5.4 watt high intensity wedge base lamps supply abundant amounts of emergency lighting
- Maintenance-free 6 volt lead calcium battery
- Low voltage battery disconnect-prevents deep discharge damage
- Brownout protection
- AC lockout
- LED charge indicator light
- Flush-mount style test switch
- Injection molded, high impact thermoplastic housing
- Reverse polarity protection
- ETL Listed (conforms to UL924)

DIMENSIONS

11.75"W x 5.125"H x 2.5"D

LL50H-N4 FEATURES

- Wet location listed, resistant to corrosive atmospheres, non-hazardous dust environments, and to water spray, splashing water, or hose down locations
- Fully adjustable 5 watt halogen lamp heads
- Optional G2 self-test/self diagnostics available
- Automatic brownout protection
- Contractor friendly, snap-together design
- AC lockout feature reduces installation time
- UL 94-5VA flame rating
- 120/277V dual primary 60Hz input
- Low voltage disconnect
- 1 year warranty
- ETL Listed (conforms to UL924)
- 90 minute emergency run time
- Sealed momentary test switch
- Maintenance-free sealed lead-calcium battery

DIMENSIONS

14.75"W x 4.25"H x 5.75"D



Combining an aesthetically appealing design and dependable performance, the Life-Lite series will accommodate virtually any application. This attractive series is complimented with the ruggedness and simplicity of a high impact totally universal thermoplastic housing

ORDERING INFORMATION

SERIES
LL60 - Standard Unit



Specifications are subject to change without notice

FEATURES

- Damp location rated
- Universal J-box mounting with quick-connect adapters for fast, simple installation
- Compact, low profile design
- Fully adjustable square lamp heads
- Completely self-contained
- Fully automatic operation
- Premium grade, lead-calcium, maintenance-free battery
- Environmentally coated, solid state charger
- Low voltage disconnect, protects battery from deep discharge
- 120/277 VAC operation
- Fully adjustable 5.4 watt tungsten (LL90) or 5 watt halogen (LL90H) glare-free lighting heads
- Injection-molded, V-0 flame retardant, high impact, thermoplastic housing
- Low-profile test switch and LED charge rate indicator light
- Regulated charge voltage
- AC lockout
- Overload/short circuit protection
- Brown-out protection
- ETL listed

LL90R REMOTE CAPACITY FEATURES

- Remote capabilities with a total of 8 watts
- 6 volt, 7ah lead-calcium battery
- Same low-profile design as LL90

ORDERING INFORMATION

MODEL	COLOR	OPTIONS
LL90 = Standard Unit	Blank = White	G2 = Self Test / Self Diagnostics
LL90H = 5 Watt Halogen	BL = Black	R = Remote Capacity (8 watts)
		KRP = Krypton Lamps
		LC = 3' Line Cord



The LL90 Series combines a low-profile, contemporary appearance with economy and dependability. The LL90 incorporates fully adjustable designer heads to compliment any environment.

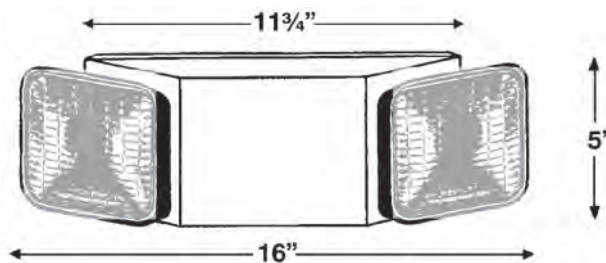
CODE CONFORMANCE

Exitronix products are electrically safe and meets or exceeds the following: UL 924, N.E.C. requirements and N.F.P.A. Life & Safety Code 101.

WARRANTY

Any component that fails due to manufacturer's defect is guaranteed for 5 years from time of shipment. Battery is prorated for 5 years. Warranty does not apply to damages caused by improper installation, abuse, fire or acts of God.

DIMENSIONS



Specifications are subject to change without notice



FEATURES

- Damp Location rated
- Dual voltage input 120/277VAC, 60Hz
- Maintenance free, lead calcium battery
- Low voltage disconnect prevents deep discharge
- Brownout protection
- Fully automatic, solid state charger
- Test switch with LED charge indicator / AC voltage indicator
- Line latching feature prevents the unit from turning on during installation to a non-energized AC circuit
- Fully adjustable 9 watt, glare-free heads
- Optional G2 Self-Test/Self-Diagnostics available
- Low profile test switch and LED indicator light
- UL Listed for damp location use
- UV stable thermoplastic or 20 gauge steel housing

CODE CONFORMANCE

Exitronix products are electrically safe and meet or exceed the following: UL 924, N.E.C. and N.F.P.A. Life Safety Code 101.

WARRANTY

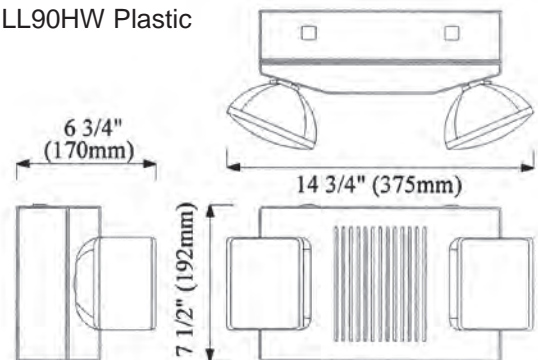
Any component that fails due to manufacturer's defect is guaranteed for 1 year from time of shipment. Battery is prorated for 5 years. Warranty does not apply to damages caused by improper installation, abuse, fire or acts of God.



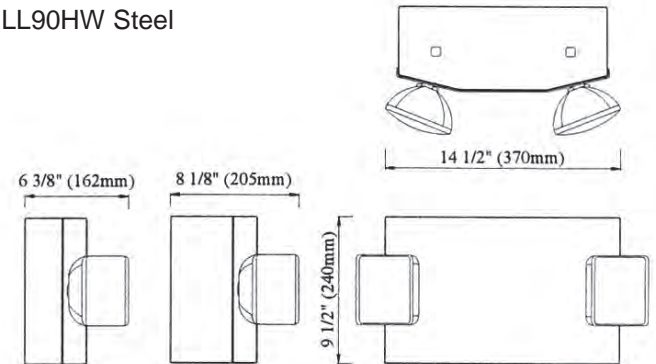
The LL-90HW combines either 6 or 12 volts with wattage capabilities of 27, 54, or 100 into a low-profile, contemporary housing design. Built for dependability, this economical unit offers solid-state electronics and fully adjustable designer heads to compliment any environment.

DIMENSIONS

LL90HW Plastic



LL90HW Steel



ORDERING INFORMATION

SERIES	VOLTAGE	MAX. WATTAGE	ENCLOSURE TYPE	COLOR	OPTIONS
LL90HW	6 12	27 54 100*	S= Steel P= Plastic	W= White B = Black	G2 = Self Test/Self Diagnostics

*Available in steel only

NOTE:

LL90HW is shipped standard with (2) 9 watt heads
Contact factory for alternate heads

Specifications are subject to change without notice

LL6/LL12 STEEL EMERGENCY LIGHTING

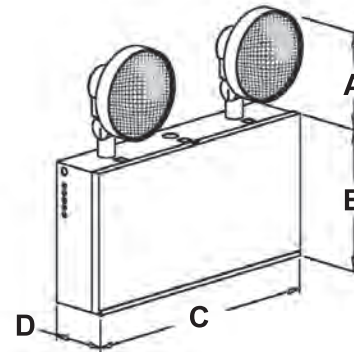
FEATURES

- 18, 36, and 54 (6 volt)
- 36, 54, 72, 100, 125W, and 150W (12 volt)
- Maintenance-free, lead calcium batteries
- Battery lockout circuit
- LVD - low voltage disconnect
- Choice of fully adjustable lamp heads
- Temperature compensation and brown-out circuit
- Test switch and LED indicator light
- 120/277 VAC
- Rugged 20 gauge steel housing
- Units available in white or black powder coated finish
- Overload/Short circuit protected
- ETL listed
- Regulated charge voltage



The Steel Life-Lite Series combines performance and dependability into a rugged 20 gauge enclosure. Available in a wide variety of battery wattages and lamp styles to satisfy any application.

DIMENSIONS



WATTAGE	A	B	C	D
18-54	6.00"	7.30"	14.00"	3.00"
72-100	6.00"	7.30"	14.00"	4.75"
125-150	6.00"	11.25"	16.25"	8.00"

CODE CONFORMANCE

Exitronix products are electrically safe and meet or exceed the following: UL 924, N.E.C. and N.F.P.A. Life Safety Code 101.

WARRANTY

Any component that fails due to manufacturer's defect is guaranteed for 1 year from time of shipment. Battery is prorated for 5 years. Warranty does not apply to damages caused by improper installation, abuse, fire or acts of God.

ORDERING INFORMATION

MODEL	WATTS	LAMP HEADS	# OF HEADS	COLOR	OPTIONS
LL6	6 Volt	<u>6V TUNGSTEN WEDGE BASE</u>	0 = No Head	B = Black	G2 = Self Test/Self
LL12	18	T2A = 7.2 Watt	1 = 1 Head	W = White	Diagnostics
	27	T3A = 9.0 Watt	2 = 2 Heads		G2AA = G2 w/Audible Alarm
	36	<u>6V HALOGEN</u>	3 = 3 Heads		VM = Volt Meter
	54	T9A = 12 Watt	4 = 4 Heads		AM = Ammeter
	<u>12 Volt</u>	<u>12V TUNGSTEN WEDGE BASE</u>			TA = 120V Time Delay
	36	T4A = 9.0 Watt			TB = 277V Time Delay
	54	T5A = 12.5 Watt			LC = 3' Line Cord
	72	T6A = 17.9 Watt			
	100	<u>12V SEALED BEAM HALOGEN</u>			
	125	R11G = 8 Watt			
	150	R12G = 12 Watt			
		R15G = 35 Watt			

(Suggested heads are listed above, See page 72 for complete listing.)



Specifications are subject to change without notice

FEATURES

- 120/277 VAC
- Universal mounting
- Rugged injection molded, V-0 flame retardant high-impact thermoplastic design
- Fully adjustable lamp heads
- Completely self-contained
- Fully automatic operation
- 6 or 12 volt premium grade, maintenance-free lead-calcium battery
- Low voltage disconnect, protecting battery from deep discharge
- Test switch and LED indicator light
- Regulated charge voltage
- AC lockout
- Overload/short circuit protection
- Brown-out protection
- ETL listed

ILLUMINATION

Illumination is accomplished with two thermoplastic lamp heads mounted on the top of the unit. Side mount lamps are available and performed in the field by simply utilizing the provided side knock-outs and interchanging the existing top mount heads. The LRP6 utilizes (2) 9 watt lamps and the LRP12 utilizes (2) 12 watt lamps.

WARRANTY

Any component that fails due to manufacturer's defect is guaranteed for 1 year from time of shipment. Battery is prorated for 5 years. Warranty does not apply to damages caused by improper installation, abuse, fire or acts of God.

CODE CONFORMANCE

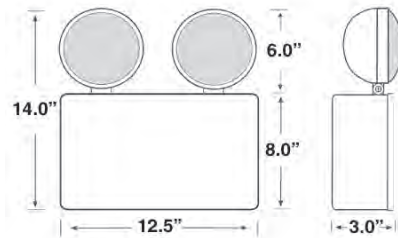
Exitronix products are electrically safe and meet or exceed the following: UL 924, N.E.C. and N.F.P.A. Life Safety Code 101.



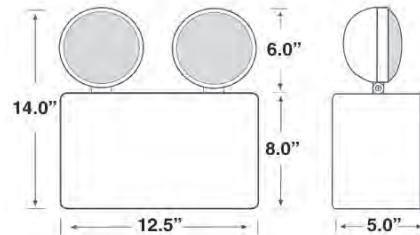
The LRP Series has been developed with versatility, durability and architectural appeal in mind. The injection molded thermoplastic housing is both impact-resistant and UV stabilized. The LRP is available in 6 or 12 volt configurations and in a variety of wattages from 18 to 100 watts.

DIMENSIONS

18 - 54 Watts



100 Watts



EMERGENCY LIGHTS

ORDERING INFORMATION

SERIES/ BATTERY	DC WATTAGE		OPTIONS
LRP6 = 6 Volt, Lead Calcium LRP12 = 12 Volt, Lead Calcium	<u>6 VOLT</u> 18 = 18 Watt 36 = 36 Watt 50 = 50 Watt 100 = 100 Watt	<u>12 VOLT</u> 50 = 50 Watt 100 = 100 Watt	G2 = Self-Test/Self-Diagnostics G2AA = Self-Test/Self-Diagnostics w/Audible Alarm TD = Time Delay NH = No Heads LC = 3' Line Cord



Specifications are subject to change without notice

FEATURES

- 120/277 VAC
- Universal J-Box mounting pattern
- Rugged injection molded, V-0 flame retardant high impact thermoplastic design
- Fully adjustable lamp heads
- Completely self-contained
- Fully automatic operation
- 6 or 12 volt premium grade, maintenance-free lead-calcium or NiCad battery
- Environmentally coated, solid-state electronics
- Low voltage disconnect, protecting battery from deep discharge
- Test switch and LED indicator light
- Regulated charge voltage
- AC lockout
- Overload/short circuit protection
- Brown-out protection
- ETL listed

WARRANTY

Any component that fails due to manufacturer's defect is guaranteed for 5 year from time of shipment. Battery is prorated for 5 years. Warranty does not apply to damages caused by improper installation, abuse, fire or acts of God.

CODE CONFORMANCE

Exitronix products are electrically safe and meet or exceed the following: UL 924, N.E.C. and N.F.P.A. Life Safety Code 101.

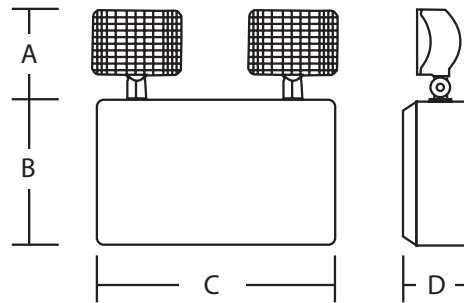
ORDERING INFORMATION

SERIES/ BATTERY	DC WATTAGE	LAMP HEADS	# OF HEADS	HOUSING COLOR	OPTIONS
RP6 = 6 Volt, Lead Calcium	<u>6 VOLT, LEAD Calcium</u> 18 = 18 Watt	<u>6 VOLT</u> P1D = 5.4 Watt	0 = No Head	W = White	ST = Self Test
RP6N = 6 Volt, Ni-Cad	25 = 25 Watt	P2D = 7.2 Watt	1 = 1 Head		STA = Self Test w/Alarm
RP12 = 12 Volt, Lead Calcium	36 = 36 Watt	P3D = 9.0 Watt	2 = 2 Heads		V = Voltmeter
RP12N = 12 Volt, Ni-Cad	50 = 50 Watt	<u>12 VOLT</u> P4D = 9.0 Watt	3 = 3 Heads		A = Ammeter
	<u>6 VOLT, NI-CAD</u> 14 = 14 Watt	P5D = 12.5 Watt			TA = 120 VAC Time Delay
	18 = 18 Watt	P6D = 18 Watt			TB = 277 VAC Time Delay
	25 = 25 Watt	<u>12 VOLT HALOGEN</u> R12G = 12 Watt			FA = 120 VAC Fuse
	50 = 50 Watt				FB = 277 VAC Fuse
Note: Some option configurations may impact UL listing. Consult factory for specifics.	<u>12 VOLT, LEAD Calcium</u> 36 = 36 Watt	(Suggested heads are listed above, See page 72 for complete listing.)			PA = 120 VAC Power Switch
	50 = 50 Watt				PB = 277 VAC Power Switch
	<u>12 VOLT, NI-CAD</u> 25 = 25 Watt				PDA = DC Power Switch
	50 = 50 Watt				LC = Line Cord
					T = Special Transformer*
					I = Factory Installed Lamp Heads
					*Specify Voltage and Frequency



The RP Series provides a proven, reliable source of egress lighting housed in a classically designed package. Available in a wide variety of battery wattages, the RP Series incorporates high performance electronics in an attractive, impact resistant thermoplastic housing.

DIMENSIONS



	A	B	C	D
18-54W	5.00"	7.75"	12.50"	2.875"
100W	5.00"	7.75"	12.50"	5.00"



Specifications are subject to change without notice

FEATURES

- 18 to 100 watt (6 volt), 36 to 250 watt (12 volt)
- Sealed Lead Calcium or NiCad batteries
- Fully adjustable lamp heads
- Battery lockout circuit
- Low voltage disconnect
- Temperature compensation and brown-out circuit
- Test switch and LED indicator light
- 120/277 VAC
- Rugged 20 gauge steel housing
- Available in white or tan powder coated finish
- Short circuit protected
- ETL Listed



The Steel RS Series combines performance and dependability into a rugged 20 gauge enclosure. Available in a wide variety of battery wattages and lamp styles to compliment any application.

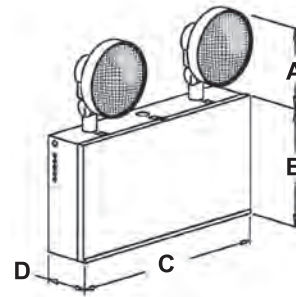
CODE CONFORMANCE

Exitronix products are electrically safe and meet or exceed the following: UL 924, N.E.C. and N.F.P.A. Life Safety Code 101.

WARRANTY

3 years full electronics warranty. 5 year prorated lead calcium battery warranty. 5 year full plus 5 year prorated nickel cadmium battery warranty. Warranty does not cover physical damage, abuse or acts of God

DIMENSIONS



	WATTAGE		
	18-54	72-100	125-250
A	6.00"	6.00"	6.00"
B	7.30"	7.30"	11.25"
C	14.00"	14.00"	16.25"
D	3.00"	4.75"	8.00"

ORDERING INFORMATION

SERIES/ BATTERY	DC WATTAGE	LAMP HEADS	# OF HEADS	COLOR	OPTIONS
RS6 = 6 Volt, Lead Calcium	<u>6 VOLT, LEAD Calcium</u>	<u>6V TUNGSTEN WEDGE BASE</u>	0	W = White	ST = Self Test
RS6N = 6 Volt, Ni-Cad	18 = 18 Watt	T1A = 5.4 Watt	1	T = Tan	STA = Self Test w/Alarm
RS12 = 12 Volt, Lead Calcium	27 = 27 Watt	T2A = 7.2 Watt	2		V = Voltmeter
RS12N = 12 Volt, Ni-Cad	36 = 36 Watt	T3A = 9.0 Watt	3		A = Ammeter
	54 = 54 Watt	<u>6V TUNGSTEN SEALED BEAM</u>			TA = 120 VAC Time Delay
	72 = 72 Watt	R1G = 8.0 Watt			TB = 277 VAC Time Delay
	100 = 100 Watt	R2G = 18 Watt			FA = 120 VAC Fuse
	<u>6 VOLT, NI-CAD</u>	R3G = 25 Watt			FB = 277 VAC Fuse
	27 = 27 Watt	R4G = 30 Watt			PA = 120 VAC Switch
	54 = 54 Watt	<u>12V TUNGSTEN WEDGE BASE</u>			PB = 277 VAC Switch
	<u>12 VOLT, LEAD Calcium</u>	T4A = 9.0 Watt			PDA = DC Power Switch
	36 = 36 Watt	T5A = 12.5 Watt			LC = Line Cord
	54 = 54 Watt	T6A = 17.9 Watt			T = Special Transformer*
	100 = 100 Watt	<u>12V TUNGSTEN SEALED BEAM</u>			*Specify Voltage and Frequency
	150 = 150 Watt	R5G = 12 Watt			
	250 = 250 Watt	R6G = 18 Watt			
	<u>12 VOLT, NI-CAD</u>	R7G = 25 Watt			
	27 = 27 Watt	R8G = 30 Watt			
	54 = 54 Watt				
	72 = 72 Watt				
	100 = 100 Watt				
	125 = 125 Watt				
	150 = 150 Watt				

(Suggested heads are listed above, See page 72 for complete listing.)



Specifications are subject to change without notice

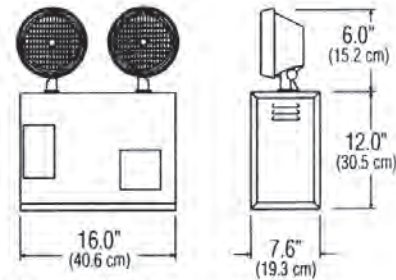
FEATURES

- Rugged 18 gauge steel with tan epoxy coated finish
- Knockouts provided for mounting up to three lamp heads
- Variety of wattages from 75 up to 450 watts
- Wide range of lamp heads available
- Low maintenance, electrolyte wet cell, lead calcium battery
- Battery operating temp 19°C - 30°C
- Automatic Low Voltage Disconnect
- Dual input 120/277 volt 60Hz
- Push to test switch, LED charge indictator
- Surge-protected solid state circuitry
- AC lockout and brownout protection
- Low voltage disconnect
- Includes (2) fused output circuits
- Optional self-test available
- 90 min + emergency run time

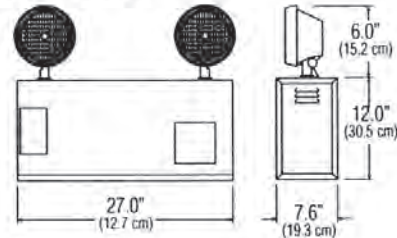


The RW Series provides functional emergency lighting in a variety of wattages up to 450 watts. High performance electronics and rugged 18 gauge steel construction ensure long-term life safety reliability.

DIMENSIONS



RW12/300, RW12/450



CODE CONFORMANCE

Exitronix products are electrically safe and meet or exceed the following: UL 924, N.E.C. and N.F.P.A. Life Safety Code 101.

WARRANTY

3 years full electronics warranty. 5 year prorated lead calcium battery warranty. 5 year full plus 5 year prorated nickel cadmium battery warranty. Warranty does not cover physical damage, abuse or acts of God

ORDERING INFORMATION

SERIES / BATTERY	DC WATTAGE	LAMP HEADS	# OF HEADS	HOUSING COLOR	OPTIONS
RW6 = 6 Volt, Wet Cell Lead Calcium	<u>6 VOLT, LEAD Calcium</u> 75 = 75 Watt	<u>6 VOLT</u> R1J = 8.0 Watt	0 = No Head	T = Tan	ST = Self Test
RW12 = 12 Volt, Wet Cell Lead Calcium	100 = 100 Watt	R2J = 18 Watt	1 = 1 Head		STA = Self Test w/Alarm
	150 = 150 Watt	R3J = 25 Watt	2 = 2 Heads		V = Voltmeter
	225 = 225 Watt	R4J = 30 Watt	3 = 3 Heads		A = Ammeter
	<u>12 VOLT, LEAD Calcium</u> 150 = 150 Watt	<u>12 VOLT</u> R5J = 12 Watt			TA = 120 VAC Time Delay
	200 = 200 Watt	R6J = 28 Watt			TB = 277 VAC Time Delay
	300 = 300 Watt	R7J = 25 Watt			FA = 120 VAC Fuse
	450 = 450 Watt	R8J = 30 Watt			FB = 277 VAC Fuse
					PA = 120 VAC Power Switch
					PB = 277 VAC Power Switch
					PDA = DC Power Switch
					LC = Line Cord
					T = Special Transformer*
					*Specify Voltage and Frequency



(Suggested heads are listed above, See page 72 for complete listing.)

Specifications are subject to change without notice

FEATURES

- UV stabilized, impact & corrosion resistant ABS plastic enclosure, grey finish
- One-piece molded, weather-proof gasket
- External LED status indicator and test switch
- Hinged front access panel for simple installation
- Universal mounting pattern
- Completely self-contained
- Maintenance-free sealed lead calcium battery
- 120/277 VAC operation
- Regulated charging unit
- Brown-out, reverse polarity and short circuit protected
- Low voltage battery disconnect
- UL Listed



The LRX Emergency Light is suitable for Wet Location areas. It is ideal for locations where water, non-hazardous dust, and corrosive atmospheres are present.

EMERGENCY HEADS

Constructed of high-impact thermoplastic complete with integrated mounting feet to ensure a proper and secure installation. Units are supplied with two top mounted 7.2 watt Par 36 style heads. Heads are provided in the standard industrial grey finish to match the unit.

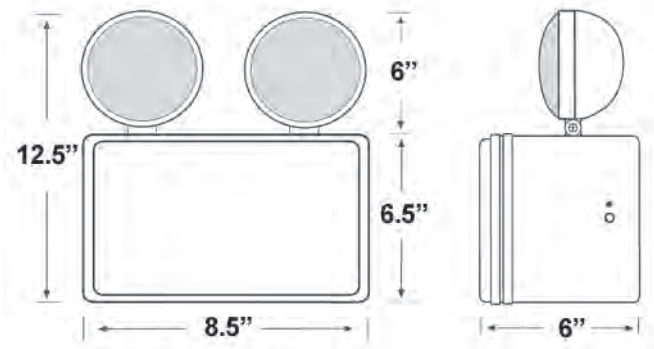
WARRANTY

Electronics warranted for a full 3 years from the date of purchase. Battery is 5 years pro-rated. Warranty does not cover physical damage, abuse or acts of God.

CODE CONFORMANCE

Exitronix products are electrically safe and meet or exceed the following: UL 924, N.E.C. and N.F.P.A. Life Safety Code 101.

DIMENSIONS



EMERGENCY LIGHTS

ORDERING INFORMATION

SERIES	BATTERY WATTAGE	LAMP HEADS	# OF HEADS
LRX6 = 6 Volt	<u>6 Volt Lead Calcium</u> 18 = 18 Watt 25 = 25 Watt	B1D = 7.2 Watt	0 = 0 Heads 2 = 2 Heads



Specifications are subject to change without notice

FEATURES

- Approved for NEMA 3, 3r, 4, 4x, 6, 12 and 13 areas
- Can be listed for wet or damp locations
- Maintenance-free sealed lead calcium or NiCad battery
- Dual voltage input 120/277V
- Surge protected, solid-state circuitry
- AC lockout
- Low voltage disconnect
- Brown-out protection
- Push to test switch and LED charge indicator
- Impact resistant, fiberglass reinforced polyester housing
- "IM" option mounts lamp head internally
- UL Listed



The RX Series is approved for NEMA 3, 3r, 4, 4x, 6, 12 and 13 areas, and can be additionally listed for wet or damp locations. The RX Series is ideal for food processing and washdown areas.

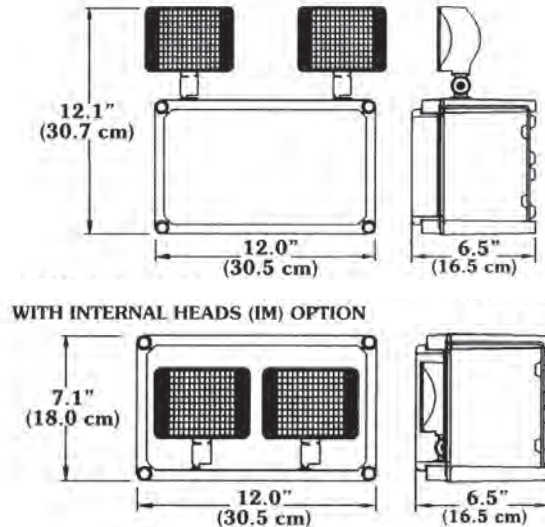
HOUSING

Constructed of impact resistant, fiberglass reinforced polyester. Housing color is gray and includes two black, rectangular thermoplastic 9 watt lamp heads externally mounted. Internally mounted white or black lamp heads available with "IM" option (up to 25 watt units only). One-piece, molded gasket and unexposed metallic hardware prolong product life in highly corrosive areas. Housing is rated for use in NEMA 3, 3r, 4, 4x, 6, 12 and 13 areas.

WARRANTY

3 years full electronics warranty. 5 year pro-rated lead calcium battery warranty. 5 year full plus 5 year pro-rated nickel cadmium battery warranty.

DIMENSIONS



ORDERING INFORMATION

SERIES	BATTERY WATTAGE	LAMP HEADS	# OF HEADS	OPTIONS
RX6 = 6 Volt, Lead Calcium	<u>6 VOLT, LEAD Calcium</u>	INTERNALLY MOUNTED HEADS	2 = 2 Heads	TA = 120 VAC Time Delay TB = 277 VAC Time Delay DR = Damp Rated WL = Wet Location Listed TP = Tamper Proof Tool TPH = Tamper Proof Hardware IM = Internally Mounted Heads MF = Mounting Feet
RX6N = 6 Volt, Ni-Cad	18 = 18 Watt	WHITE		
RX12 = 12 Volt, Lead Calcium	25 = 25 Watt	P1D = 5.4 Watt		
RX12N = 12 Volt, Ni-Cad	36 = 36 Watt	P2D = 7.2 Watt		
	50 = 50 Watt	P3D = 9.0 Watt		
	<u>6 VOLT, NI-CAD</u>	BLACK		
	14 = 14 Watt	P1E = 5.4 Watt		
	18 = 18 Watt	P2E = 7.2 Watt		
	25 = 25 Watt	P3E = 9.0 Watt		
	50 = 50 Watt			
	<u>12 VOLT, LEAD Calcium</u>	*Also Available with externally mounted "Z" rated lamp heads. See page 72 for complete listing.		
	36 = 36 Watt			
	50 = 50 Watt			
	<u>12, VOLT NI-CAD</u>			
	50 = 50 Watt			



Specifications are subject to change without notice

FEATURES

- Approved for NEMA 4, 4x, 12 and 13 areas
- Available with NEMA Rated, PAR 36 Sealed Beam lamps
- Impact resistant, fiberglass reinforced polyester housing resists oil, water and dust
- Maintenance-free sealed lead calcium or NiCad battery
- Dual voltage input 120/277V
- Surge protected, solid-state circuitry
- AC lockout, low voltage disconnect and brown-out protection
- Push to test switch and LED charge indicator
- UL Listed



The RL Series is ideal for locations where oil, water and dust resistant equipment are required. The housing meets NEMA 4, 4x, 12 and 13 classifications.

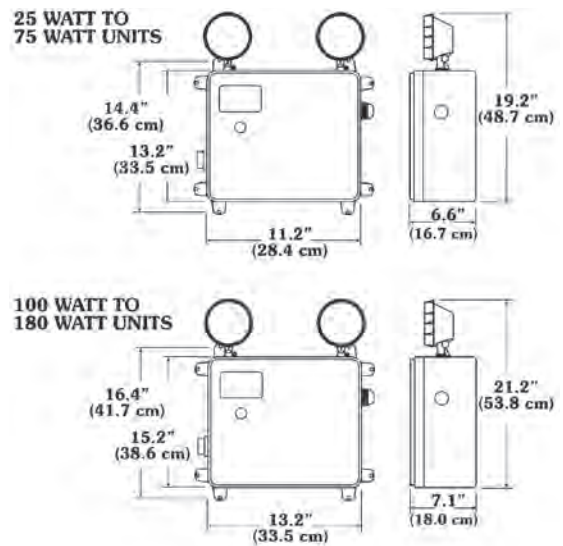
CONSTRUCTION

Constructed of impact resistant, fiberglass reinforced polyester. Housing color is gray and includes stainless steel hardware. Housing is approved for NEMA 4, 4x, 12 and 13 areas. View-through window allows easy monitoring of AC indicator and optional voltmeter and ammeter. Optional shatter-resistant shield for lamp heads is designed for use in food service areas.

WARRANTY

3 years full electronics warranty. 5 year prorated lead calcium or pure lead battery warranty. 5 year full plus 5 year prorated nickel cadmium battery warranty.

DIMENSIONS



EMERGENCY LIGHTS

ORDERING INFORMATION

SERIES	BATTERY	LAMP HEADS	# OF HEADS	HOUSING COLOR	OPTIONS
RL6 = 6 Volt, Lead Calcium	<u>6 VOLT, LEAD Calcium</u>	<u>6V TUNGSTEN LAMPS</u>	0 = No Head	G = Standard	ST = Self Test
RL6N = 6 Volt, Ni-Cad	28 = 28 Watt ¹	Z1P = 8.0 Watt	1 = 1 Head	Gray	STA = Self Test w/Alarm
RL12 = 12 Volt, Lead Calcium	50 = 50 Watt	Z2P = 18 Watt	2 = 2 Heads		V = Voltmeter
RL12N = 12 Volt, Ni-Cad	75 = 75 Watt	Z3P = 25 Watt			A = Ammeter
RL12P = 12 Volt, Pure Lead	100 = 100 Watt ^{1,2}	Z4P = 30 Watt			TA = 120 VAC Time Delay
	<u>6 VOLT, NI-CAD</u>	<u>12V TUNGSTEN LAMPS</u>			TB = 277 VAC Time Delay
	25 = 25 Watt	Z5P = 12 Watt			FA = 120 VAC Fuse
	50 = 50 Watt	Z6P = 18 Watt			FB = 277 VAC Fuse
	<u>12 VOLT, LEAD Calcium</u>	Z7P = 25 Watt			PA = 120 VAC Power Switch
	50 = 50 Watt ¹	Z8P = 30 Watt			PB = 277 VAC Power Switch
	100 = 100 Watt ^{1,2}	<u>6V HALOGEN LAMPS</u>			PDA = DC Power Switch
	125 = 125 Watt ^{1,2}	Z10P = 8.0 Watt			LC = Line Cord
	150 = 150 Watt ^{1,2}	Z11P = 12 Watt			S = Shatterproof Lamp Shield
	180 = 180 Watt ^{1,2}	<u>12V HALOGEN LAMPS</u>			HT1 = 120 VAC Heater
	<u>12, VOLT NI-CAD</u>	Z12P = 8.0 Watt			HT2 = 277 VAC Heater
	25 = 25 Watt	Z13P = 12 Watt			T = Special Transformer*
	50 = 50 Watt				*Specify Voltage and Frequency
	75 = 75 Watt				
	100 = 100 Watt				
	125 = 125 Watt ²				
	150 = 150 Watt				
	<u>12, PURE LEAD</u>				
	120 = 120 Watt ²				

Notes:
 1) Includes temperature compensated charger
 2) Units come standard with AC fuse

Note: Some option configurations may impact UL listing. Consult factory for specifics.

(Suggested heads are listed above, See page 72 for complete listing.)



Specifications are subject to change without notice

FEATURES

- Approved for NEMA 4, 4x, 12 and 13 areas, and in Class I, Division 2, Groups A, B, C & D, Zone 2, Groups IIA, IIB, H & IIC areas
- Available with Class II, Division 2 rated, PAR 36 lamps
- Impact resistant, fiberglass reinforced polyester, ideal for use in hazardous locations
- Maintenance-free sealed lead calcium or NiCad battery
- Dual voltage input 120/277V
- Surge protected, solid-state circuitry
- AC lockout, low voltage disconnect and brown-out protection
- Push to test switch and LED charge indicator
- UL Listed

CONSTRUCTION

Constructed of impact resistant, fiberglass reinforced polyester. Housing color is gray and includes stainless steel hardware. Housing is approved for NEMA 4, 4x, 12 and 13 areas, and in class I, Division 2, Groups A, B, C & D, Zone 2, Groups IIA, IIB, H & IIC areas. View-through window allows easy monitoring of AC indicator and optional voltmeter and ammeter.

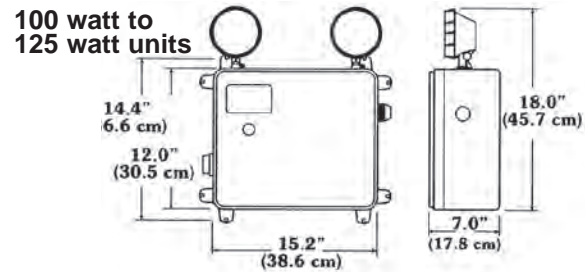
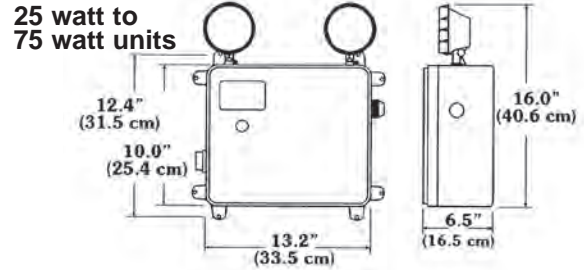
WARRANTY

3 years full electronics warranty. 5 year prorated lead calcium or pure lead battery warranty. 5 year full plus 5 year prorated nickel cadmium battery warranty.



The RH Series is ideal for use in hazardous locations where explosive materials may be present.

DIMENSIONS




ORDERING INFORMATION

SERIES	DC WATTAGE	LAMP HEADS	# OF HEADS	HOUSING COLOR	OPTIONS
RH6 = 6 Volt, Lead Calcium	<u>6 VOLT, LEAD Calcium</u>	<u>6V TUNGSTEN LAMPS</u>	0 = No Head	G = Standard	ST = Self Test
RH6N = 6 Volt, Ni-Cad	25 = 25 Watt ²	Z1K = 8.0 Watt	1 = 1 Head	Gray	STA = Self Test w/Alarm
RH6P = 6 Volt, Pure Lead	50 = 50 Watt ³	Z2K = 18 Watt	2 = 2 Heads		V = Voltmeter
RH12 = 12 Volt, Lead Calcium	100 = 100 Watt ¹	Z3K = 25 Watt			A = Ammeter
RH12N = 12 Volt, Ni-Cad	125 = 125 Watt	Z4K = 30 Watt			TA = 120 VAC Time Delay
RH12P = 12 Volt, Pure Lead	<u>6 VOLT, NI-CAD</u>	<u>6V HALOGEN LAMPS</u>			TB = 277 VAC Time Delay
	25 = 25 Watt ²	Z10K = 8.0 Watt			S = Shatter Resistant
	50 = 50 Watt ³	Z11K = 12 Watt			Lamp Head Shield
	<u>6 VOLT, PURE LEAD</u>	<u>12V TUNGSTEN LAMPS</u>			T = Special Transformer*
	60 = 60 Watt ¹	Z5K = 12 Watt			*Specify Voltage and Frequency
	<u>12 VOLT, LEAD Calcium</u>	Z6K = 18 Watt			
	25 = 25 Watt ²	Z7K = 25 Watt			
	50 = 50 Watt ^{1,3}	Z8K = 30 Watt			
	<u>12 VOLT, NI-CAD</u>	<u>12V HALOGEN LAMPS</u>			
	25 = 25 Watt ³	Z12K = 8.0 Watt			
	50 = 50 Watt ³	Z13K = 12 Watt			
	75 = 75 Watt ³				
	100 = 100 Watt ³				
	125 = 125 Watt ³				
	<u>12, PURE LEAD</u>				
	120 = 120 Watt				

Notes:

- 1) Includes temperature compensated charger
- 2) Automatic diagnostic tester is not available on RH6/100, RH6/125 or RH12P/120
- 3) Units are listed to UL924, UL844, UL1203 & UL1604
- 4) For Class II, Div 2, Groups F & G, must use Ni-Cad units

(Suggested heads are listed above, See page 72 for complete listing.)



Specifications are subject to change without notice

FEATURES

- Available in wall, ceiling, or end mount configurations
- Heavy gauge, durable steel housings
- Bright white finish standard, optional finishes available
- Available with either high output LED, incandescent, or compact fluorescent lamps
- Translucent glass letter panels
- Single or double face configurations
- 6" tall characters with 3/4" stroke
- Specify arrow configuration when ordering
- 120/277V dual primary 60Hz input
- Self-Test/Self-Diagnostics available
- 100% solid state switching circuit
- 120 minute emergency run time, 24 hour recharge time
- Solid-state charging circuit
- AC lockout feature reduces installation time
- Low voltage disconnect eliminates deep discharge
- Momentary test switch and LED indicator
- Maintenance-free lead calcium battery

WARRANTY

Unit: (excluding lamps) 3-years full coverage against defects in materials and workmanship from date of shipment.
Battery: 3 years full warranty plus an additional 7 years of pro-rata coverage.

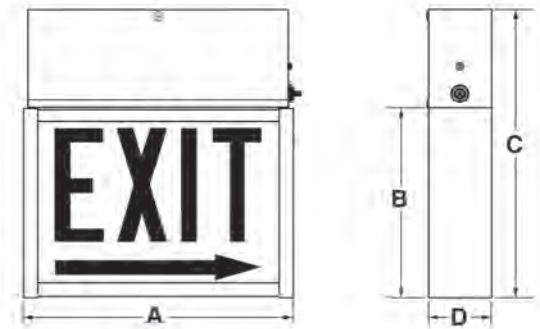
CODE CONFORMANCE

Exitronix products are electrically safe and meet or exceed the following: UL 924, N.E.C. and N.F.P.A. Life Safety Code 101.



LED, Incandescent or fluorescent lamp AC-only and emergency exit models meet Chicago requirements. Rugged steel signs for wall, ceiling or end mount applications.

DIMENSIONS



A	B	C	D
12 3/4"	9 1/2"	14 1/2"	2 1/2"

NOTE: Add 1" for canopy

ORDERING INFORMATION

SERIES	POWER	MOUNTING	PANEL CODE	LIGHT SOURCE	VOLTS	FINISH	OPTIONS
CSX	LB = AC Only WB = Battery Backup	1 = Single Face, No Canopy 2 = Single Face, w/Canopy 3 = Double Face, w/Canopy	<u>Single Face</u> 3 = EXIT 6 = EXIT > 9 = EXIT < 12 = EXIT <> 2 = STAIRS 5 = STAIRS > 8 = STAIRS < 11 = STAIRS <> <u>Double Face</u> 18 = EXIT 21 = EXIT <or> 24 = EXIT <> 17 = STAIRS 20 = STAIRS <or> 23 = STAIRS <>	1 = LED 2 = Incandescent (2) 15 watt 3 = Fluorescent (2) 7 watt	1 = 120* 2 = 277* 3 = 120/277	W = White Optional BL = Black	G2 = Self-Testing/Self-Diagnostics (LED Only) 6VSL = 6VDC Emergency Socket & Lamp 12VSL = 12VDC Emergency Socket & Lamp 24VSL = 24VDC Emergency Socket & Lamp 277V = 277VAC (Fluorescent Only) MCW = White Canopy Kit MCB = Black Canopy Kit ER18 = 18" Stem Kit CC = Custom Color (consult factory) SW = Special Wordings (consult factory)

NOTES:
 * Must specify voltage for AC Only fluorescent units
 All panels are supplied with red letters on a white background



Specifications are subject to change without notice

CHICAGO APPROVED

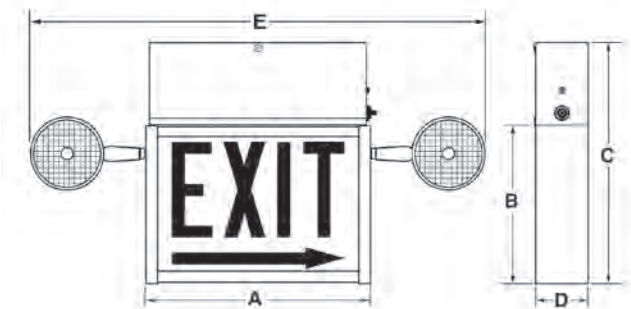
FEATURES

- Available in wall, ceiling, or end mount configurations
- Heavy gauge, durable steel housings
- Bright white finish standard, optional finishes available
- Available with either high output LED, incandescent, or compact fluorescent lamps
- Translucent glass letter panels
- Single or double face configurations
- 6" tall characters with 3/4" stroke
- Specify arrow configuration when ordering
- 120/277V dual primary 60Hz input
- Egress lighting provided by two 6V 12W halogen lamps
- Self-Test/Self-Diagnostics available
- 100% solid state switching circuit
- 120 minute emergency run time, 24 hour recharge time
- Solid-state charging circuit
- AC lockout feature reduces installation time
- Low voltage disconnect eliminates deep discharge
- Momentary test switch and LED indicator
- Maintenance-free lead calcium battery



Energy saving CSC Series meet City of Chicago requirements. Rugged steel signs for wall, ceiling or end mount applications.

DIMENSIONS



A	B	C	D	E
12 3/4"	9 1/2"	14 1/2"	2 1/2"	26 1/4"

NOTE: Add 1" for canopy

WARRANTY

Unit: (excluding lamps) 3-years full coverage against defects in materials and workmanship from date of shipment.

Battery: 3 years full warranty plus an additional 7 years of pro-rata coverage.

CODE CONFORMANCE

Exitronix products are electrically safe and meet or exceed the following: UL 924, N.E.C. and N.F.P.A. Life Safety Code 101.

ORDERING INFORMATION

SERIES	PANEL CONFIGURATION	PANEL CODE	LIGHT SOURCE	VOLTS	FINISH	OPTIONS
CSC = Exit with (2) 12 watt halogen lamp heads	1 = Single Face, No Canopy 2 = Single Face, w/Canopy 3 = Double Face, w/Canopy	<u>Single Face</u> 3 = EXIT 6 = EXIT > 9 = EXIT < 12= EXIT <> 2 = STAIRS 5 = STAIRS > 8 = STAIRS < 11= STAIRS <> <u>Double Face</u> 18= EXIT 21= EXIT <or> 24= EXIT <> 17= STAIRS 20= STAIRS <or> 23= STAIRS <>	1 = LED 2 = Incandescent (2) 15 watt 3 = Fluorescent (2) 7 watt	3 = 120/277	W = White <u>Optional</u> BL = Black	G2 = Self-Testing/Self-Diagnostics (LED Only) MCW = White Canopy Kit MCB = Black Canopy Kit ER18 = 18" Stem Kit CC = Custom Color (consult factory) SW = Special Wording (consult factory)



Specifications are subject to change without notice

CHICAGO APPROVED

FEATURES

- Available in both recessed and surface mount configurations
- Heavy gauge, durable steel housings
- Bright white finish standard, optional finishes available
- Available with either high output LED, or 7 watt compact fluorescent lamps
- High clarity, optically true acrylic panels
- Single or double face configurations
- High clarity, optically true acrylic panels
- 6" tall characters with 3/4" stroke
- 120/277V dual primary 60Hz input
- Optional Special Wording available
- Self-Test/Self-Diagnostics available
- 100% solid state switching circuit
- 120 minute emergency run time, 24 hour recharge time
- Solid-state charging circuit
- AC lockout feature reduces installation time
- Low voltage disconnect eliminates deep discharge
- Momentary test switch and LED indicator
- Maintenance-free lead calcium battery

WARRANTY

Unit: (excluding lamps) 3-years full coverage against defects in materials and workmanship from date of shipment.
Battery: 3 years full warranty plus an additional 7 years of pro-rata coverage.

CODE CONFORMANCE

Exitronix products are electrically safe and meet or exceed the following: UL 924, N.E.C. and N.F.P.A. Life Safety Code 101.

ORDERING INFORMATION

SERIES	POWER	MOUNTING	PANEL CODE	LAMPS	VOLTS	FINISH	OPTIONS
CXES = Surface Mount	LB = AC Only* WB= Battery Backup	1 = Single Face Wall Mount 2 = Single Face Ceiling/End Mount** 3 = Double Face Ceiling/End Mount**	<u>Single Face</u> 3 = EXIT 6 = EXIT > 9 = EXIT < 12= EXIT <> 2 = STAIRS 5 = STAIRS > 8 = STAIRS < 11= STAIRS <> <u>Double Face</u> 18= EXIT 21= EXIT <or> 24= EXIT <> 17= STAIRS 20= STAIRS <or> 23= STAIRS <>	1 = LED 3 = Fluorescent (2) 7 watt	1 = 120* 2 = 277* 3 = 120/277	W = White <u>Optional</u> BL = Black DB = Dark Bronze BA = Brushed Aluminum (Recessed Only)	G2 = Self-Testing/Self-Diagnostics (LED Only) SW =Special Wording (Consult Factory)

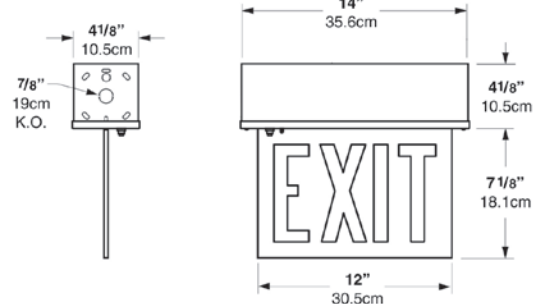
NOTES:

* Must specify voltage for AC Only fluorescent units
 ** End mount is only available on surface mount units

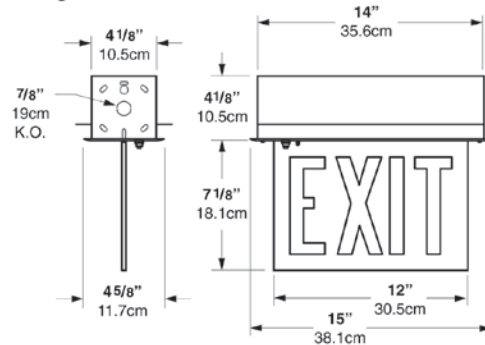
All panels are supplied with red letters on a white background



Surface Mount



Ceiling Recessed Mount



Specifications are subject to change without notice

CHICAGO APPROVED

STANDARD FEATURES

- 8" characters with 1" stroke - meets New York City requirements
- Durable 20 gauge steel housing
- Red or green high intensity LEDs
- Constant uniform illumination
- Color matched diffuser provides optimal light output
- White or black standard enclosure colors
- Universal mount, includes 2nd face and canopy
- Chevron style universal arrows
- 120/277V dual primary 60Hz input
- Short circuit protection
- Voltage surge protection
- 1 year warranty
- 5 year pro-rated warranty on battery
- Nickel cadmium battery (Exit Sign)
- AC indicator and push-to-test switch
- Regulated circuit maintains constant light output throughout emergency mode
- Solid-state, constant current type charger
- Low voltage disconnect eliminates deep discharge
- Brown-out protection
- ETL listed, 90 minute emergency run time

CODE CONFORMANCE

Exitronix products are electrically safe and meet or exceed the following: UL 924, N.E.C. and N.F.P.A. Life Safety Code 101.

ORDERING INFORMATION

MODEL	CHARACTER SIZE	FACE STYLE	ENCLOSURE TYPE	POWER	COLOR	OPTIONS
VEX = Red GVEX = Green	8 = 8"	U = Universal (includes 2 face plates, back plate and mounting canopy)	S = Steel	LB = Less Battery WB = With Battery	WH = White	WG = Wire Guard E1 = 1' Pendant Kit E2 = 2' Pendant Kit E12 = 12" Pendant Extension



Attractive and easy to install. The Value Series offers quality LED illumination and electronics in a steel enclosure. The Value Series is ideal for any commercial, institutional, or industrial application.

DIMENSIONS



WARRANTY

Any component that fails due to manufacturer's defect is guaranteed for 1 year. A separate 5 year prorated warranty on the battery allows you to install it and forget it. Warranty does not cover physical damage, abuse or acts of God.



Specifications are subject to change without notice

NEW YORK APPROVED

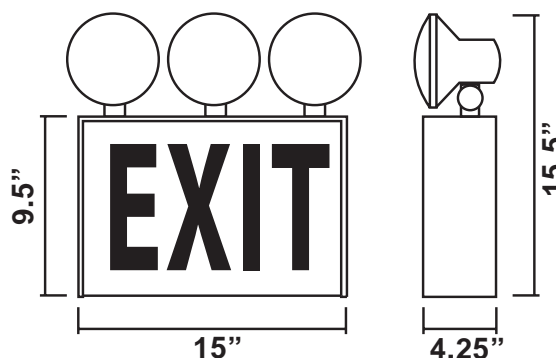
STANDARD FEATURES

- 8" characters with 1" stroke - meets New York City requirements
- 6 volt, 12 watt lamps
- Welded steel-housing
- Red or green high intensity LEDs
- Constant uniform illumination
- Color matched diffuser provides optimal light output
- White-or-black-standard-enclosure-colors
- Universal mount, includes 2nd face and canopy
- Chevron style universal arrows
- 120/277V dual primary 60Hz input
- Short circuit protection
- Voltage surge protection
- 1 year warranty
- 5 year pro-rated warranty on battery
- Sealed lead calcium battery
- AC indicator and push-to-test switch
- Regulated circuit maintains constant light output throughout emergency mode
- Solid-state, constant current type charger
- Low voltage disconnect eliminates deep discharge
- Brown-out protection
- ETL listed, 90 minute emergency run time



Attractive and easy to install. The Value Series offers quality LED illumination and electronics in a steel enclosure. The Value Series is ideal for any commercial, institutional, or industrial application.

DIMENSIONS



CODE CONFORMANCE

Exitronix products are electrically safe and meet or exceed the following: UL 924, N.E.C. and N.F.P.A. Life Safety Code 101.

WARRANTY

Any component that fails due to manufacturer's defect is guaranteed for 1 year. A separate 5 year prorated warranty on the battery allows you to install it and forget it. Warranty does not cover physical damage, abuse or acts of God.

ORDERING INFORMATION

MODEL	CHARACTER SIZE	FACE STYLE	ENCLOSURE TYPE	POWER	COLOR	OPTIONS
VEXC = Red GVEXC = Green	8 = 8"	1 = Single Face	S = Steel	LB = Less Battery WB = With Battery	WH = White	DR = Damp Rated WG = Wire Guard



Specifications are subject to change without notice

FEATURES

- 8" tall characters, 1" stroke width - approved for use in New York City
- Damp location listed
- Enclosure, face plate, back plate and mounting canopy constructed of precision die-cast aluminum
- Universal enclosure design includes 2nd face and canopy
- Red or green high intensity LEDs
- Constant uniform illumination
- Stock colors: Black, white and brushed aluminum
- Simple installation
- Universal mounting canopy supplied standard with each unit
- Chevron style universal arrow knockouts
- 120/277V dual primary, 60Hz input
- Short circuit protection
- Voltage surge protection

UNIVERSAL ENCLOSURE DESIGN

The 400U is supplied standard with two face plates, a back plate and the mounting canopy; making this the only universal die-cast exit in the industry!

BATTERY BACK-UP

- Guardian self test/ self diagnostics available
- Overcharge protection
- Test button and LED AC/DC indicator
- Flasher/buzzer options to meet ADA regulations
- Low voltage disconnect eliminates deep discharge
- Brown-out protection
- UL recognized maintenance-free Ni-Cad battery
- 90 minute emergency run time, 24 hour recharge time

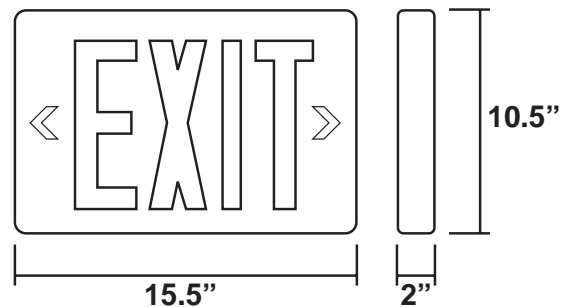
ORDERING INFORMATION

SERIES	POWER SOURCE	ENCLOSURE COLOR	OPTIONS	OPTIONAL HARDWARE
400U-8 = Red G400U-8 = Green	LB = Less Battery WB = With Battery	BL = Black w/Aluminum Face BB = Black w/Black Face WW = White w/White Face BA = Brushed Aluminum w/Aluminum Face WH = White w/Aluminum Face	G2 = Self Test/Self Diagnostics DL = Downlight FL = Flasher BZ = Audible Alarm FB = Flasher/Audible Alarm A1 = Alarm Interface w/Flasher A2 = Alarm Interface w/Flasher & Audible Alarm 2CI = Two Circuit Input	VL = Polycarbonate Vandal Lens for Exit Face N4X = Nema 4X Enclosure XG = 3/16" Polycarbonate Security Shield (wall mount) WG = Wire Guard (wall mount) TRH = Tamper Resistant Hardware TRT8 = Tamper Resistant Tool



The 400U-8 die-cast aluminum exits are designed to combine both beauty and performance while maintaining optimal energy efficiency with a bright, uniform face.

DIMENSIONS



CODE CONFORMANCE

Exitronix products are electrically safe and meet or exceed the following: UL 924, N.E.C. requirements and N.F.P.A. Life & Safety Code 101.

WARRANTY

Any component that fails due to manufacturer's defect is guaranteed for 5 years. A separate 5 year pro-rated warranty on the battery.

Specifications are subject to change without notice

FEATURES

- Fully illuminated 8" letters with 1" stroke, meets New York City code requirements for exit lighting
- Enclosure constructed of die-cast aluminum
- Red high intensity LEDs
- Universal mount
- All units supplied with canopy
- Chevron style universal arrow knockouts
- 120/277V dual primary 60Hz input
- Short circuit protection
- Voltage surge protection
- 25 year warranty
- 7 year full warranty on battery
- Automatic diagnostic tester available
- Trickle charge circuitry for extended battery life
- Overcharge protection provided by zener diode
- Test button and LED AC/DC indicator are located on bottom of fixture for easy testing and visual inspection
- Flasher/buzzer options to meet ADA regulations
- Low voltage disconnect eliminates deep discharge
- Brown-out protection
- UL recognized maintenance-free NiCad battery
- UL listed 90 min emergency run time, 24 hour recharge time

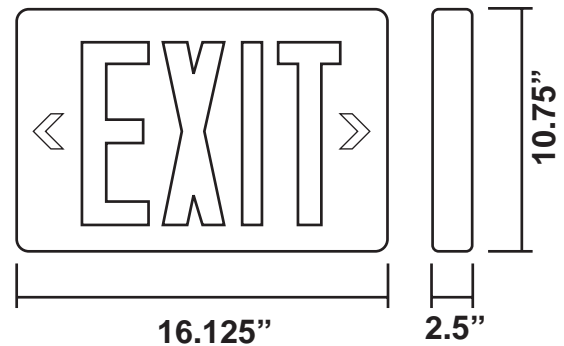
WARRANTY

Any component that fails due to manufacturer's defect is guaranteed for 5 years. A separate 5 year pro-rated warranty on the battery.



An aesthetically pleasing slim profile, combined with a durable die-cast aluminum housing. Features a detachable hinged face. Installs quickly and easily and comes standard with dual 120V/277V inputs. All covered by Exitronix 25 year warranty.

DIMENSIONS



CODE CONFORMANCE

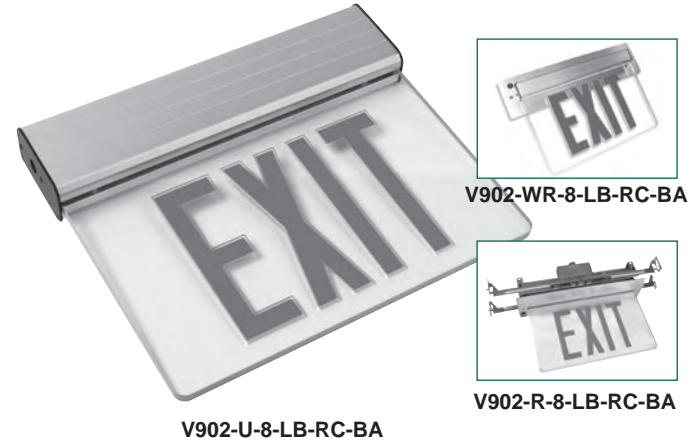
Exitronix products are electrically safe and meet or exceed the following: UL 924, N.E.C. requirements and N.F.P.A. Life & Safety Code 101.

ORDERING INFORMATION

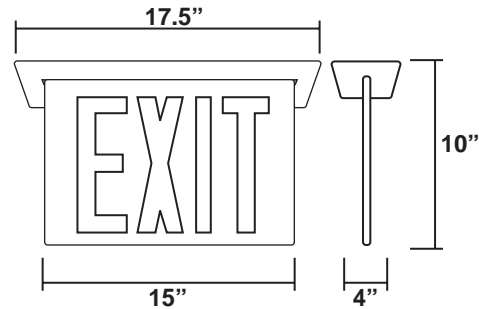
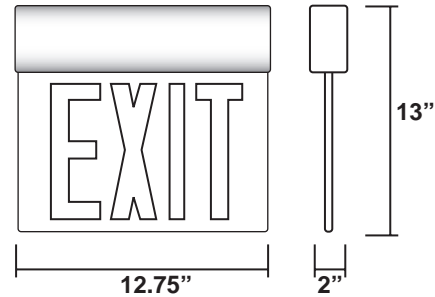
SERIES	POWER SOURCE	ENCLOSURE COLOR	OPTIONS	OPTIONAL HARDWARE
NY1 = Red Single Face NY2 = Red Double Face GNY1 = Green Single Face GNY2 = Green Double Face	LB = Less Battery WB = Ni Cad	BL = Black w/ Aluminum Face BB = Black w/ Black Face WW = White w/ White Face BA = Brushed Alum. w/ Alum. Face	G1 = Self Diagnostics G2 = Self Test / Self Diagnostics DL = LED Down Light FL = Flasher BZ = Buzzer FB = Flasher & Buzzer A1 = Fire Alarm Interface w /Flasher A2 = Fire Alarm Interface w / Flasher & Buzzer DR = Damp Location Rating 2CI1 = Two AC Circuit Inputs 120V/120V 2CI17 = Two AC Circuit Inputs 120V/277V 2C17 = Two AC Circuit Inputs 277V/277V	TRH = Tamper Resistant Hardware TRT8 = Tamper Resistant Tool E1 = 1' Pendant Kit E2 = 2' Pendant Kit E12 = 12" Pendant Extension E24 = 24" Pendant Extension

FEATURES

- 8" tall characters, 1" stroke width - approved for use in New York City
- Recessed, wall recessed or universal mounting
- Recessed housing - Not suitable for drywall applications
- Compact, low profile design
- Standard colors, white, black, brushed aluminum
- Red or green super bright LEDs
- Field installable directional arrows
- Consumes less than 3 watts for AC units and less than 5 watts for battery backup units
- 120/277 volt operation
- Attractive aluminum extrusion design
- Constant, uniform illumination
- Test button and LED AC/DC indicator
- Overcharge protected
- Brown-out protected
- UL recognized, maintenance-free, NiCad battery
- ETL listed 90 minute emergency run-time



DIMENSIONS



WARRANTY

Any component that fails due to manufacturers defect is guaranteed for 5 years with a separate 3 year pro-rated warranty on the battery. The warranty does not cover physical damage, abuse or acts of God.

CODE CONFORMANCE

ETL & UL Listed to Meet UL 924, NEC and NFPA, Life Safety Code Illumination Requirements

ORDERING INFORMATION

SERIES	MOUNTING	CHARACTER HEIGHT	POWER SOURCE	PANEL COLOR	HOUSING COLOR	OPTIONS
V902 = Single V903 = Double	R = Recessed WR = Wall Recessed U = Universal Surface	8 = 8"	LB = Less Battery WB = With Battery	<u>Single Face</u> RC = Red Letters Clear Panel GC = Green Letters Clear Panel <u>Double Face</u> RM = Red Letters Mirror Panel GM = Green Letters Mirror Panel	WH = White BL = Black BA = Brushed Aluminum	2CI = Dual Circuit G2 = Self Test/Self Diagnostics



Specifications are subject to change without notice

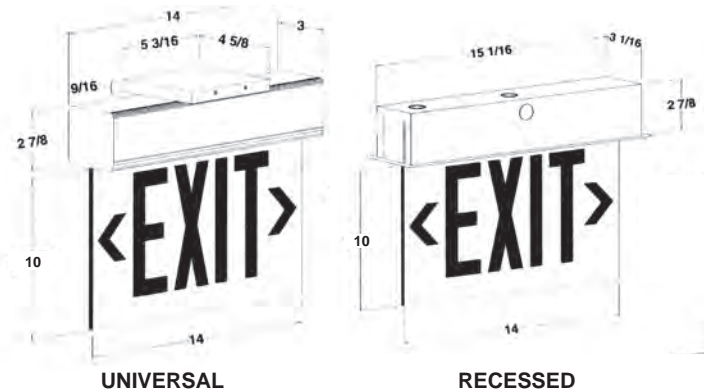
FEATURES

- 8" tall characters, 1" stroke width - approved for use in New York City
- Recessed or universal mounting
- Attractive aluminum extrusion design
- Standard colors: black, white and brushed aluminum
- Optional G2 Self-Test/Self-Diagnostics (utilizes NiMh Battery)
- Constant, uniform illumination
- High clarity, optically true acrylic panels
- Field applicable chevrons available
- 120/277V dual primary 60Hz input
- Short circuit protection
- Voltage surge protection
- Maintenance-free lead calcium battery
- Trickle charge circuitry for extended battery life
- Low voltage disconnect eliminates deep discharge
- Brown-out protection
- 25 year warranty
- 5 year pro-rated warranty on battery



NY902-WR-LB-RC-BC-BB

DIMENSIONS



WARRANTY

Any component that fails due to manufacturer's defect is guaranteed for 25 years with a separate 5 year pro-rated warranty on battery. Warranty does not cover physical damage, abuse or acts of God

ORDERING INFORMATION

SERIES	MOUNTING	POWER SOURCE	PANEL COLOR	ARROW CONFIGURATION	COLOR	OPTIONS
NY902 = Single Face 8" Letters	R = Recessed	LB = AC Only	RC = Red Letters	Single Face	WH = White	G2 = Self-Test/
	WR = Wall	WB = With Battery	Clear Panel	CL = Chevron Left	BL = Black	Self-Diagnostics*
NY903 = Double Face 8" Letters	U = Ceiling, End, or Wall Mount (Surface Mount)	NC = Ni-Cad	RW = Red Letters White Panel	CR = Chevron Right	BA = Brushed Aluminum	FL = Flasher
			RM = Red Letters Mirror Panel	BC = Both Chevrons	BB = Satin Brass	BZ = Audible Alarm
			GC = Green Letters Clear Panel	ZC = No Chevrons		FB = Flasher & Audible Alarm
			GW = Green Letters White Panel	XX = Field		A1 = Fire Alarm Interface w/Flasher
			GM = Green Letters Mirror Panel	Applicable Chevrons		A2 = Fire Alarm Interface w/Flasher & Audible Alarm
			SS = Custom Face (Consult Factory)	Double Face		12V = 12 Volt DC Remote Emergency Power
				SC = Single Chevron		2CI1 = Two AC Circuit Inputs 120V/120V
				BC = Both Chevrons		2CI7 = Two AC Circuit Inputs 277V/277V
				ZC = No Chevrons		E1 = 12" Pendant Kit
				XX = Field		E2 = 24" Pendant Kit
				Applicable Chevrons		E12 = 12" Extension Rod
						E24 = 24" Extension Rod
						EL1 = One 6V Emergency Light Remote Mounted
						TF = 10hr Run Time in flash / 5 in continuous
						* Utilizes NiMh Battery

Specifications are subject to change without notice

FEATURES

- Meets New York City requirements
- 18W and 27W (6 volt), 36W and 54W (12 volt)
- Maintenance-free, lead calcium batteries
- Battery lockout circuit
- LVD - low voltage disconnect
- Choice of fully adjustable lamp heads
- Temperature compensation and brown-out circuit
- Test switch and LED indicator light
- 120/277 VAC
- Rugged 20 gauge steel housing
- Units available in white or black powder coated finish
- Overload/Short circuit protected
- ETL listed
- Regulated charge voltage



The steel NY-LL Series combines performance and dependability into a rugged 20 gauge enclosure. Available in a variety of battery wattages and lamp styles to satisfy any application.

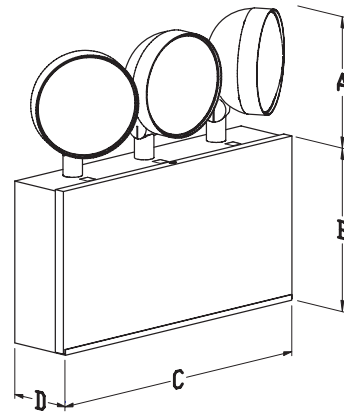
CODE CONFORMANCE

Exitronix products are electrically safe and meet or exceed the following: UL 924, N.E.C. and N.F.P.A. Life Safety Code 101.

WARRANTY

Any component that fails due to manufacturer's defect is guaranteed for 1 year from time of shipment. Battery is prorated for 5 years. Warranty does not apply to damages caused by improper installation, abuse, fire or acts of God.

DIMENSIONS



WATTAGE	A	B	C	D
18	6.00"	9"	10.00	3.00"
27-54	6.00"	9.5"	15.00	4.25"

ORDERING INFORMATION

MODEL	WATTS	LAMP HEADS	# OF HEADS	COLOR
LL6	6 Volt	6V TUNGSTEN WEDGE BASE	0 = No Head	W = White
LL12	18	T3A = 9.0 Watt	2 = 2 Heads	
	27	12V TUNGSTEN WEDGE BASE	3 = 3 Heads	
	12 Volt	T4A = 9.0 Watt		
	36	T5A = 12 Watt		
	54	T6A = 18 Watt		

(Suggested heads are listed above)

NEW YORK APPROVED

Specifications are subject to change without notice



XEB-5-B

Fluorescent Emergency Ballast



TECHNICAL SPECIFICATIONS

Input Voltage*	120/277V, 60Hz
Input Wattage	3.5 Watts
Lamps Operated	Most 2'—4' single, bi-pin T8 & T12 fluorescent lamps
Emergency Operation	90 minutes
Initial Illumination	(1) lamp up to 500 lumens
Approval	U.L. Listed
Weight	2 lbs

*International voltages available

XEB-7-B

Fluorescent Emergency Ballast



TECHNICAL SPECIFICATIONS

Input Voltage*	120/277V, 60Hz
Input Wattage	3.5 Watts
Lamps Operated	Most 2'—4' single, bi-pin T8 & T12, HO or VHO fluorescent lamps
Emergency Operation	(1) 2'—8' or (2) 2'—4' 90 minutes
Initial Illumination	(1) lamp 700 lumens (2) lamps 350 lumens each lamp
Approval	U.L. Listed
Weight	2 lbs

*International voltages available

XEB-55

Fluorescent Emergency Ballast



TECHNICAL SPECIFICATIONS

Input Voltage	120/277V, 60 Hz
Input Wattage	2.5 Watts
Lamps Operated	Most 2'-4' single, bipin T5 & T12 fluorescent lamps
Emergency Operation	90 minutes
Initial Illumination	(1) lamp 550 lumens
Approval	U.L. Listed
Weight	1.5 lbs

XEB-13

Fluorescent Emergency Ballast



TECHNICAL SPECIFICATIONS

Input Voltage*	120/277V, 60Hz
Input Wattage	3.5 Watts
Lamps Operated	Most 2'—4' single, bi-pin T8 & T12, HO or VHO fluorescent lamps
Emergency Operation	(1) 2'—8' or (2) 2'—4' 90 minutes
Initial Illumination	(1) lamp 1300 lumens (2) lamps 650 lumens each lamp
Approval	U.L. Listed
Weight	4 lbs

*International voltages available

Specifications are subject to change without notice

XEB-14

Fluorescent Emergency Ballast



TECHNICAL SPECIFICATIONS

Input Voltage*	120/277V, 60Hz
Input Wattage	4 Watts
Lamps Operated	(2) T8 or T12 linear, T9 circular, T12 U-bent, T5 long and some 4-pin compact fluorescent
Emergency Operation	(1) 2'—8' or (2) 2'—4' 90 minutes
Initial Illumination	(1) lamp 1100—1400 lumens (2) lamps 550—700 lumens each lamp
Approval	U.L. Listed
Weight	4 lbs

*International voltages available

XEB-6CF

Fluorescent Emergency Ballast



TECHNICAL SPECIFICATIONS

Input Voltage*	120/277V, 60Hz
Input Wattage	3.5 Watts
Lamps Operated	7, 9 & 13 watt twin tube, 2 pin with integral starter 9—13w USA quad 2 pin with integral starter
Emergency Operation	90 minutes
Initial Illumination	650 lumens
Approval	U.L. Listed
Weight	2 ¹ / ₂ lbs

*International voltages available

XEB-30-B

Fluorescent Emergency Ballast



TECHNICAL SPECIFICATIONS

Input Voltage*	120/277V, 60Hz
Input Wattage	3.5 Watts
Lamps Operated	Most 2'—4' single, bi-pin T8 & T12, HO or VHO fluorescent lamps
Emergency Operation	(1) 2'—8' or (2) 2'—4' 90 minutes
Initial Illumination	(1) lamp 3000 lumens (2) lamps 1500 lumens each lamp
Approval	U.L. Listed
Weight	9 ³ / ₄ lbs

*International voltages available

XEB-26CF

Fluorescent Emergency Ballast



TECHNICAL SPECIFICATIONS

Input Voltage*	120/277V, 60Hz
Input Wattage	3.5 Watts
Lamps Operated	18 & 26 watt quad tube, 2 pin lamps with integral starter
Emergency Operation	90 minutes
Initial Illumination	650 lumens
Approval	U.L. Listed
Weight	2 ¹ / ₂ lbs

*International voltages available

Specifications are subject to change without notice

XEB-42CF

Fluorescent Emergency Ballast



TECHNICAL SPECIFICATIONS

Input Voltage*	120/277V, 60Hz
Input Wattage	3.5 Watts
Lamps Operated	10—42 watt 4 pin rapid start compact lamps, included.: twin tube, triple tube, quad, 2D & straight
Emergency Operation	(1) 10—42w or (2) 10—26w 90 minutes
Initial Illumination	(1) lamp 650 lumens (2) lamps 325 lumens each lamp
Approval	U.L. Listed
Weight	2 ¹ / ₂ lbs

*International voltages available

XEB-42OCF & XEB-42OCF-G2

Fluorescent Emergency Ballasts



TECHNICAL SPECIFICATIONS

Input Voltage	120/277V, 60Hz
Input Wattage	3.5 Watts
Lamps Operated	10-42, 57 & 70W 4-pin rapid start compact lamps including twin, triple, quad tube, 2D & straight
Emergency Operation	(1) 10W-70W or (2) 10W-26W 90 minutes
Initial Illumination	1300 lumens (2) lamps 650 lumens each lamp
Operating Temp	0° to 55° C
Approval	U.L. and C.U.L. Listed
Weight	5.25 lbs (XEB-42OCF) 5.6 lbs (XEB-42OCF-G2)

XEB-42OCFZ & XEB-42OCFZ-G2

Fluorescent Emergency Ballast



TECHNICAL SPECIFICATIONS

Input Voltage	120/277V, 60 Hz
Input Wattage	3.5 Watts
Lamps Operated	10-42, 57 & 70W 4-pin rapid start compact lamps including twin, triple, quad tube, 2D & straight
Emergency Operation	(1) 10W-70W or (2) 10W-26W 90 minutes
Initial Illumination	1300 Lumens (2) lamps 650 lumens each lamp
Operating Temp	0° to 55° C
Approval	U.L. and CUL Listed
Weight	3.25 lbs (XEB-42OCFZ) 3.6 lbs (XEB-42OCFZ-G2)

XEB-65-CF

Fluorescent Emergency Ballast



TECHNICAL SPECIFICATIONS

Input Voltage	120/277V, 60 Hz
Input Wattage	3.5 Watts
Lamps Operated	10 - 26W compact fluorescent lamps with integral starters, including 2 pin, quad or triple tube compact fluorescent lamps
Emergency Operation	90 minutes
Initial Illumination	350 - 650 Lumens
Operating Temp	0° to 55° C
Approval	U.L. Listed
Weight	2.5 lbs

Specifications are subject to change without notice

XEB-75-CF

Fluorescent Emergency Ballast



TECHNICAL SPECIFICATIONS

Input Voltage	120/277V, 60 Hz
Input Wattage	3.5 Watts
Lamps Operated	(1) 13 - 42W or (2) 13 - 39W 4-pin twin, quad and triple tube compact fluorescent lamps
Emergency Operation	90 minutes
Initial Illumination	350 - 750 Lumens
Operating Temp	0° to 55° C
Approval	U.L. Listed
Weight	2 lbs

XEB-T5-5

Fluorescent Emergency Ballasts



TECHNICAL SPECIFICATIONS

Input Voltage	120/277V, 60Hz
Input Wattage	2.5 Watts
Lamps Operated	Most 2'-4' T5 or T8 linear lamps
Emergency Operation	(1) 2'-4' 90 minutes
Initial Illumination	(1) lamp up to 500 lumens
Approval	U.L. Listed
Weight	2 lbs

XEB-13-54

Fluorescent Emergency Ballast



TECHNICAL SPECIFICATIONS

Input Voltage	120/277V, 60Hz
Input Wattage	3.5 Watts
Lamps Operated	Most 2'-4' T5 or T8 linear lamps including HO and 40-55 watt 4-pin long compact fluorescent lamps
Emergency Operation	(1) 2'-4' 90 minutes
Initial Illumination	(1) lamp 1300 Lumens
Approval	U.L. Listed
Weight	3 lbs

XEB-T5-8

Fluorescent Emergency Ballasts



TECHNICAL SPECIFICATIONS

Input Voltage	120/277V, 60Hz
Input Wattage	2.5 Watts
Lamps Operated	Most 2'-4' T5 or T8 linear lamps
Emergency Operation	(1) 2'-4' 90 minutes
Initial Illumination	(1) lamp up to 825 lumens
Approval	U.L. Listed
Weight	2 lbs

Specifications are subject to change without notice

EMERGENCY BALLAST ACCESSORIES

XEB-WC EMERGENCY BATTERY PACK OPTION

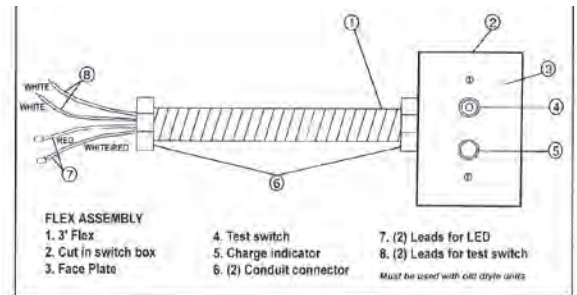
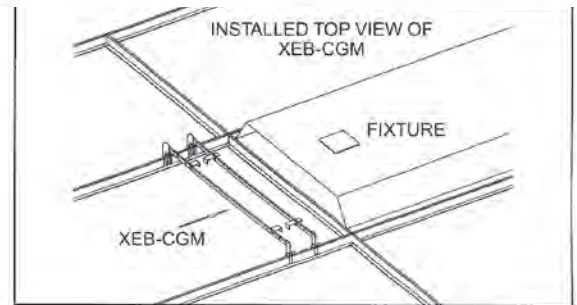
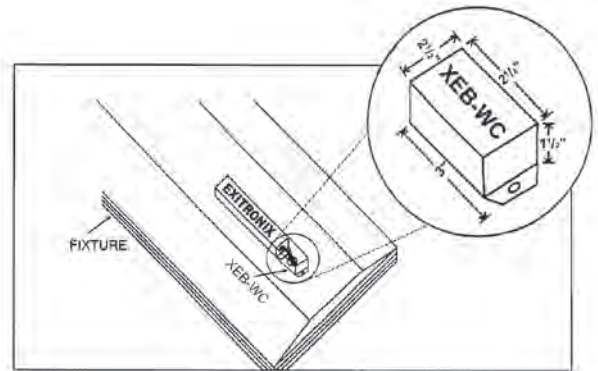
Use the XEB-WC when the unit is mounted on top of the fixture. The XEB-WC covers the wiring that goes from the battery pack into the fixture.

XEB-CGM EMERGENCY BATTERY PACK OPTION

Use the XEB-CGM when the battery pack cannot be mounted on the light fixture. The battery pack is mounted on the XEB-CGM, which is then mounted onto the ceiling grid.

RTA REMOTE TEST ASSEMBLY

The Remote Test Assembly (RTA) allows for remote mounting of the test switch and indicator light. The RTA consists of a 3' section of flex, junction box, and cover. (for use with old style units only)



Specifications are subject to change without notice

SPECIFICATIONS

Sizes: 350, 525, 700, 875, 1050, 1400 and 2100 watts
Input Voltage: 120 volt only $\pm 10\%$ on-line zero transfer time, or 208, 240, or 277 volt input with external isolation transformer only

Output Voltages: 120 Volt only, or 208, 240, or 277 volt with external isolation transformer only

Output Freq. (Inverter Operation): 60 Hz ± 0.5 Hz

Output Voltage Regulation: $\pm 4\%$ for all loads and for battery discharge mode

Output Wave Form: Sine-Wave during emergency @ 10% max. THD with linear load

Output Protection: Current limiting and short circuit protection

Battery: Maintenance-free sealed lead calcium battery
 48 VDC for 500, 750, & 1000 VA
 72 VDC for 1250, 1500, & 2000 VA
 96 VDC for 3000 VA

Recharge Time: Conforms to UL standards

Humidity: 0 - 95% RH w/ no condensation

Operating Temperature:

UPS: 0° to +40°C. (32° - 104°F)

Battery: 20° to 25°C. (68°-77°F)

APPLICATIONS

Ideal for smaller applications, from 350 to 2100 watts, and where space is limited.

Typical installations:

- Retail Stores
- Schools
- Medical Clinics
- Restaurants
- Banks
- Motels
- Apartments
- Military Barracks
- Offices
- Small Industrial
- Large Homes



ORDERING INFORMATION

Total Watts	Model Numbers	Input	Output	Weight (lbs)	Ship Wt. (lbs)	BTUs/Hr	Size W x H x D
350/ 330*	PS.50A0100N1	120V	120V	238	305	300	24" x 28" x 15"
	PS.50A0100N1/9100-768	277V	120V	259	326		
	PS.50A0100N1/9100-768	120V	277V	259	326		
	PS.50A0100N1/9100-768/9100-768	277V	277V	280	347		
525/ 500*	PS.75A0100N1	120V	120V	238	305	450	24" x 28" x 15"
	PS.75A0100N1/9100-768	277V	120V	259	326		
	PS.75A0100N1/9100-768	120V	277V	259	326		
	PS.75A0100N1/9100-768/9100-768	277V	277V	280	347		
700/ 670*	PS1.0A0100N1	120V	120V	303	370	600	24" x 28" x 15"
	PS1.0A0100N1/9100-770	277V	120V	343	410		
	PS1.0A0100N1/9100-770	120V	277V	343	410		
	PS1.0A0100N1/9100-770/9100-770	277V	277V	383	450		
875/ 840*	PS1.2A0100N1	120V	120V	404	471	750	24" x 28" x 15"
	PS1.2A0100N1/9100-770	277V	120V	444	511		
	PS1.2A0100N1/9100-770	120V	277V	444	511		
	PS1.2A0100N1/9100-770/9100-770	277V	277V	484	551		
1050/ 1000*	PS1.5A0100N1	120V	120V	418	485	1010	24" x 28" x 15"
	PS1.5A0100N1/9100-771	277V	120V	505	572		
	PS1.5A0100N1/9100-771	120V	277V	505	572		
	PS1.5A0100N1/9100-770/9100-771	277V	277V	592	659		
1400/ 1345*	PS2.0A0100N1-02	120V	120V	478	545	1675	24" x 28" x 15"
	PS2.0A0100N1/9100-771	277V	120V	565	632		
	PS2.0A0100N1/9100-771	120V	277V	565	632		
	PS2.0A0100N1/9100-770/9100-771	277V	277V	652	719		
2100/ 2015*	PS3.0A0100N1-02	120V	120V	583	650	1425	24" x 28" x 15"
	PS3.0A0100N1/9100-771	277V	120V	672	737		
	PS3.0A0100N1/9100-771	120V	277V	672	737		
	PS3.0A0100N1/9100-770/9100-771	277V	277V	759	824		

* External Isolation Transformer

All units are 90 minutes Battery Back-up time @ full load, consult factory for longer back-up times (up to 6 hours).

Specifications are subject to change without notice

SPECIFICATIONS

Power Rating: 2.1, 3.5, 5.2, 7, 8.8, 10.5 and 14 KW
Input Voltage: 2.1 & 3.5 KW; 120, 208, 240, or 277 VAC (-20% to +15%); 5.2 - 14 KW; 208, 240, or 277 VAC (-15% to +15%)
Input Frequency: Slew rate of 2 Hz/sec
Output Voltages: 3 - 20 KVA; 120, 208, 240, or 277VAC
Output Freq. (Inverter Operation): 60 Hz ±0.5 Hz
Voltage Regulation: ±3%
Output Wave Form: Sine-Wave
Optional Input Protection: Input circuit breaker provided protection to the unit, load and personnel. Input circuit breaker will be higher interruption rated (10, 42, and 65 KAIC)
Optional Output Protection: Internal electronic overload protection. Circuit breaker provides inherent over-load protection. Factory selectable voltage 120, 208, 240, or 277 for input or output voltages. If input is different from output or output different from input, an internally mounted transformer is required.
Isolation: Complete from line. Output neutral bonded to ground

Noise Isolation: -120 dB Common-Mode; -60 dB Transverse-Mode
Battery: Sealed maintenance-free (AGM) battery
Recharge Time: Conforms to UL standards
External Battery: Provisions for hardwire connection of optional external battery cabinets or DC source.
Humidity: 0 - 95% RH w/ no condensation
Operating Temperature:
 UPS: 0° to 40°C. (32° - 104°F)
 Battery: 20° to 25°C. (68°-77°F)
Storage Temperature: -20° to 60°C. (-4° - 140°F) electronics only.
Altitude: Up to 10,000 ft
Safety Agencies: Listed to UL1778, UL924 Lighting standards, and UL924A UPS standards by CSA
Cabinet Size:
 Cab "B": 39"W x 48"H x 18"D
 Cab "C": 39"W x 68"H x 18"D



UPS SYSTEMS

ORDERING INFORMATION

KW	Input/Output Voltages	Model Numbers	DC Volts	BTU/ Hr	Cabinet Size UPS (Battery) (W x H x D)	Weights (lbs)	
						UPS	Batt.
2.1	120/120 208/208 240/240 277/277 120, 208, 240, 277	PS3.0A0100N1-VA	96	859	39" x 48" x 18"	826	N/A
		PS3.0B1300N1-VA		859		826	
		PS3.0D0400N1-VA		859		826	
		PS3.0R2500N1-VA		859		826	
		**PS3.0X5800T1-VA		1166		896	
3.5	120/120 208/208 240/240 277/277 120, 208, 240, 277	PS5.0A0100N1-VA	120	1314	39" x 68" x 18"	1101	N/A
		PS5.0B1300N1-VA		1314		1101	
		PS5.0D0400N1-VA		1314		1101	
		PS5.0R2500N1-VA		1314		1101	
		**PS5.0X5800T1-VA		1433		1171	
5.2	208/208 240/240 277/277 208, 240, 277	PS7.5B1300N1-VA	120	1973	39" x 68" x 18"	1506	N/A
		PS7.5D0400N1-VA		1973		1506	
		PS7.5R2500N1-VA		1973		1506	
		**PS7.5X5800T1-VA		2150		1666	
7	208/208 240/240 277/277 208, 240, 277	PS010B1300N1-VA	192	2629	39" x 68" x 18" (39" x 68" x 18")	1080	787
		PS010D0400N1-VA		2629		1080	
		PS010R2500N1-VA		2629		1080	
		**PS010X5800T1-VA		2866		1255	
8.8	208/208 240/240 277/277 208, 240, 277	PS012B1300N1-VA	192	3287	39" x 68" x 18" (39" x 68" x 18")	1305	1047
		PS012D0400N1-VA		3287		1305	
		PS012R2500N1-VA		3287		1305	
		**PS012X5800T1-VA		3583		1525	
10.5	208/208 240/240 277/277 208, 240, 277	PS015B1300N1-VA	240	3926	39" x 68" x 18" (39" x 68" x 18")	1545	1247
		PS015D0400N1-VA		3926		1545	
		PS015R2500N1-VA		3926		1545	
		**PS015X5800T1-VA		4299		1885	
14	208/208 240/240 277/277 208, 240, 277	PS020B1300N1-VA	240	5257	39" x 68" x 18" (39" x 68" x 18")	1999	2173
		PS020D0400N1-VA		5257		1999	
		PS020R2500N1-VA		5257		1999	
		**PS020X5800T1-VA		5732		2599	

** Input Voltage "X": A=120 (3 & 5 KVA only), B=208, R=277 VAC Output Voltage "58": 120, 208, 240, and 277 VAC
 All units are 90 minutes Battery Back-up time @ full load, consult factory for longer back-up times (up to 6 hours).

OPTIONS

- Secondary Auxillary Circuit Breakers: Normally On, Normally Off, Normally Off w/ Delay, Trip Alarm
- Form 'C' Contacts (5) (N.o.)
- Secondary Normally On/Off Terminal Block selection
- Remote Status Panel Unit with Audible Alarm and Silence Switch
- Local Audible Alarm with Silence Switch
- Make Before Break Internal Maintenance Bypass Switch
- External Maintenance Bypass Switch (wrap around type)
- Main Input and/or Output Circuit Breaker (with custom KAIC)
- Built-in Secondary Distribution
- Input Transient Voltage Surge Suppressor (TVSS)
- Harmonic Tolerance (up to K-50)
- EMI Filter
- Stackable Cabinet Rack to save floor space
- Certified Zone 4 Seismic Brkt
- Extended Warranty and Service Plans
- Spare Part Kits Available
- Global Monitoring System
- LOCAL
 - Local PC via RS232 & RS485
 - Event Logging up to 500
- REMOTE
 - Dial-up
 - Voice (10 event logging), numeric pager
 - Voice, data, fax, pager, PC, e-mail, event logging up to 500
- Web/SNMP: System status, measurement, alarm notification, event logging, and password protection

Specifications are subject to change without notice

SPECIFICATIONS

Power Rating: 3, 5, 7.5, 10, 12.5, and 15 KW
Input Voltage: 3 & 5 KW; 120, 208, 240, or 277 VAC (-20% to +15%); 7.5 - 15 KW; 208, 240, or 277 VAC (-15% to +15%)
Input Frequency: Slew rate of 2 Hz/sec
Output Voltages: 3 - 15 KVA; 120, 208, 240, or 277VAC
Output Freq. (Inverter Operation): 60 Hz ±0.5 Hz
Voltage Regulation: ±3%
Output Wave Form: Sine-Wave
Optional Input Protection: Input circuit breaker provided protection to the unit, load and personnel. Input circuit breaker will be higher interruption rated (10, 42, and 65 KAIC)
Optional Output Protection: Internal electronic overload protection. Circuit breaker provides inherent over-load protection. Factory selectable voltage 120, 208, 240, or 277 for input or output voltages. If input is different from output or output different from input, an internally mounted transformer is required.
Efficiency: 90% typical

Isolation: Complete from line. Output neutral bonded to ground
Noise Isolation: -120 dB Common-Mode; -60 dB Transverse-Mode
Battery: Sealed maintenance-free (AGM) battery
Recharge Time: Conforms to UL standards
External Battery: Provisions for hardwire connection of optional external battery cabinets or DC source.
Humidity: 0 - 95% RH w/ no condensation
Operating Temperature:
 UPS: 0° to 40°C. (32° - 104°F)
 Battery: 20° to 25°C. (68°-77°F)
Storage Temperature: -20° to 60°C. (-4° - 140°F) electronics only.
Altitude: Up to 10,000 ft
Safety Agencies: Listed to UL1778, UL924 Lighting standards, and UL924A UPS standards by CSA
Cabinet Size:
 Cab "B": 39"W x 48"H x 18"D
 Cab "C": 39"W x 68"H x 18"D



ORDERING INFORMATION

KW	Input/Output Voltages	Model Numbers	DC Volts	BTU/ Hr	Cabinet Size UPS (Battery) (W x H x D)	Weights (lbs)	
						UPS	BATT.
3.0	120/120 208/208 240/240 277/277 120, 208, 240, 277	PS3.0A0100N1	96	1227	39" x 48" x 18"	996	N/A
		PS3.0B1300N1		1227		996	
		PS3.0D0400N1		1227		996	
		PS3.0R2500N1		1227		996	
		**PS3.0X5800T1		1433		1066	
5.0	120/120 208/208 240/240 277/277 120, 208, 240, 277	PS5.0A0100N1	120	1875	39" x 68" x 18"	1214	N/A
		PS5.0B1300N1		1875		1214	
		PS5.0D0400N1		1875		1214	
		PS5.0R2500N1		1875		1214	
		**PS5.0X5800T1		2047		1284	
7.5	208/208 240/240 277/277 208, 240, 277	PS7.5B1300N1	120	2819	39" x 68" x 18" (39" x 68" x 18")	1224	966
		PS7.5D0400N1		2819		1224	
		PS7.5R2500N1		2819		1224	
		**PS7.5X5800T1		3070		1384	
10	208/208 240/240 277/277 208, 240, 277	PS010B1300N1	192	3755	39" x 68" x 18" (39" x 68" x 18")	1289	1406
		PS010D0400N1		3755		1289	
		PS010R2500N1		3755		1289	
		**PS010X5800T1		4094		1464	
12.5	208/208 240/240 277/277 208, 240, 277	PS012B1300N1	192	4696	39" x 68" x 18" (39" x 68" x 18")	1959	1598
		PS012D0400N1		4696		1959	
		PS012R2500N1		4696		1959	
		**PS012X5800T1		5118		2179	
15	208/208 240/240 277/277 208, 240, 277	PS015B1300N1	240	5608	39" x 68" x 18" (39" x 68" x 18")	1999	2173
		PS015D0400N1		5608		1999	
		PS015R2500N1		5608		1999	
		**PS015X5800T1		6141		2339	

** Input Voltage "X": A=120 (3 & 5 KVA only), B=208, R=277 VAC Output Voltage "58": 120, 208, 240, and 277 VAC
 All units are 90 minutes Battery Back-up time @ full load, consult factory for longer back-up times (up to 6 hours).



Specifications are subject to change without notice

OPTIONS

- Secondary Auxillary Circuit Breakers: Normally On, Normally Off, Normally Off w/ Delay, Trip Alarm
 - Form 'C' Contacts (5) (N.o.)
 - Secondary Normally On/Off Terminal Block selection
 - Remote Status Panel Unit with Audible Alarm and Silence Switch
 - Local Audible Alarm with Silence Switch
 - Make Before Break Internal Maintenance Bypass Switch
 - External Maintenance Bypass Switch (wrap around type)
 - Main Input and/or Output Circuit Breaker (with custom KAIC)
 - Built-in Secondary Distribution
 - Input Transient Voltage Surge Suppressor (TVSS)
 - Harmonic Tolerance (up to K-50)
 - EMI Filter
 - Stackable Cabinet Rack to save floor space
 - Certified Zone 4 Seismic Brkt
 - Extended Warranty and Service Plans
 - Spare Part Kits Available
 - Global Monitoring System
- LOCAL
- Local PC via RS232 & RS485
 - Event Logging up to 500
- REMOTE
- Dial-up
 - Voice (10 event logging), numeric pager
 - Voice, data, fax, pager, PC, e-mail, event logging up to 500
 - Web/SNMP: System status, measurement, alarm notification, event logging, and password protection

SPECIFICATIONS

INPUT SPECIFICATIONS

Nominal Input Voltage 120, or 208, or 240, or 277 VAC Single Phase
 Input Voltage Range +20% to -35%
 Input Frequency 60 Hz +5%
 Overcurrent Protection Circuit Breaker
 Power Connection Hard Wired (terminal block)
 Input Configuration 2 wire (hot, neutral) Plus Ground

OUTPUT SPECIFICATION

Output Rating 2.1, 3.5, 5.25, 7, 10.5, 14 KW (Normal Mode/Emergency Mode)
 Voltage 120/240, 277 VAC, Single Phase
 Voltage Regulation +3% No Load to Full Load; +3% High Line to Low Line
 Frequency 60 Hz +0.25 Hz (When on Inverter)
 Waveshape Sine Wave
 Harmonic Distortion <7% THD; <5% Single Harmonic
 Crest Factor Up to 3 to 1
 Overload 125% for Ten (10) Minutes; 150% Surge
 Protection Fault Current Limited by Ferroresonant Design
 Noise Rejection -120 dB Common Mode; -60 dB Normal Mode
 Operating Temp. (Electronics Only) Tested for -29°F.(-34°C) to 136°F.(58°C)

PHYSICAL SPECIFICATIONS

Accessibility All Servicing is Through the Front.
 Cable Entry Bottom
 Mounting Four (4) Mounting Holes Provided to Anchor Enclosure to Pedestal

BATTERY SPECIFICATIONS

Battery Run Time90 min
 Battery Type Sealed, Maintenance-Free, Lead calcium
 Nominal DC Link 48 or 120 VDC link
 Overcurrent Protection Circuit Breaker



The Sonoran is specifically designed for outdoor locations and hostile environments. Several years in the field have proven the Sonoran to operate efficiently in extreme temperatures, harsh weather conditions, and withstand physical abuse and vandalism. Unique in the market, the Sonoran is the only outdoor central lighting inverter listed to UL924 and UL1778 UPS standards.

UPS SYSTEMS

OPTIONS

- Battery Heating Pad
- Extended Warranty and Service Plans
- Lifting Eyes NEMA 3R and 4X
- Monitoring via RS232 and RS485
- Duplex 120V Receptacle for Service
- Make before break Maintenance Bypass Switch and Electronic Maintenance Bypass Switch
- TVSS for 208/240 and 277V
- Secondary Auxiliary Output Circuit Breakers (Main or max. 10 total)
- Spare Part Kits Available
- Run time Up to 13 Hours
- High Isolation Transformer with Harmonic Reduction (up to K-50)
- Heater Strip with Thermostat Control
- (5) Form "C" Contacts Alarms
- Output Distribution Limit
- Stainless Steel, Zinc Anodized Aluminum Cabinets
- Global Monitoring System
 - LOCAL
 - Local PC via RS232 and RS485
 - Event logging up to 500
 - REMOTE
 - Dial-up
 - Voice (10 event logging), numeric pager
 - Voice, data, fax, pager, PC, email, event logging up to 500
 - Voice, data, fax, pager, PC, email, and measurement (500 event logging plus graphic)
 - Web/SNMP: System status, measurement, alarm notification, event logging and password protected configuration.

ORDERING INFORMATION

KW	Model Numbers	Input	Output	Weight (lbs)	BTUs/Hr	Size W x H x D
2.1	S3.0A01TLF1-96	120	120, 208, 240, 277	967	1137	(1) 39" x 70" x 17"
3.5	S5.0A01TLF1-96	120	120, 208, 240, 277	1235	2047	(1) 39" x 70" x 17"
5.25	S7.5A01TLF1-96	208, 240, 277	120, 208, 240, 277	1850	3033	(2) 39" x 70" x 17"
7	S010A01TLF1-96	208, 240, 277	120, 208, 240, 277	2637	3594	(2) 39" x 70" x 17"
10.5	S12.5A01TLF1-96	208, 240, 277	120, 208, 240, 277	3517	4194	(3) 39" x 70" x 17"
14	S020A01TLF1-96	208, 240, 277	120, 208, 240, 277	3750	7188	(3) 39" x 70" x 17"

Normally On and Normally Off Circuits are available at an additional cost. Please consult factory.

Specifications are subject to change without notice

SPECIFICATIONS

Power Rating: 8, 12, 16, 20, 24, 32, 40 and 50 KW

Input Voltage:

208Y/120 or 480Y/277 VAC (-20% to +15%)

Output Voltages: 208Y/120 or 480Y/277 VAC

Output Freq. (Inverter Operation): 60 Hz ±0.5 Hz

Voltage Regulation: ±3%, Regulated within CBEMA curve

Output Wave Form: Sine-Wave <5% THD

Crest Factor: 3:1 typical

Surge Protection (optional): The UPS will protect itself and the load against surges as defined in ANSI/IEEE C62.41 Categories A and B

Isolation: Complete from line. Output neutral bonded to ground

Noise Isolation: -120 dB Common-Mode; -60 dB Transverse-Mode

Battery: Sealed maintenance-free (AGM) battery

Recharge Time: Conforms to UL Standards

External Battery: Provisions for hardwire connection of optional external battery cabinets or DC source.

Humidity: 0 - 95% RH w/ no condensation

Operating Temperature:

UPS: 0° to 40°C. (32° - 104°F)

Battery: 20° to 25°C. (68°-77°F)

Storage Temperature: -20° to 60°C. (-4° - 140°F) electronics only.

Altitude: Up to 10,000 ft

Safety Agencies: Listed to UL1778, UL924 Lighting Standards, and UL924A UPS standards by CSA

Inverter Cabinet Sizes:

39"W x 18"H x 68"D

Battery Cabinet Sizes:

39"W x 18"H x 68"D



ORDERING INFORMATION

KW	Input/Output Voltages	KVA Model Numbers	DC Volts	BTU/ Hr	Weights (lbs)	
					Inverter Cabinet	Battery
8	208Y/120 - 208Y/120 480Y/277 - 480Y/277 480Y/277 - 208Y/120	S010B0500T3-VA S010H0900T3-VA S010H0500T3-VA	192	3032	(1 Cabinet) 1083 lbs	(1 Cabinet) 1612 lbs
12	208Y/120 - 208Y/120 480Y/277 - 480Y/277 480Y/277 - 208Y/120	S015B0500T3-VA S015H0900T3-VA S015H0500T3-VA	192	4549	(1 Cabinet) 1446 lbs	(2 Cabinets) 2 x 1612 lbs
16	208Y/120 - 208Y/120 480Y/277 - 480Y/277 480Y/277 - 208Y/120	S020B0500T3-VA S020H0900T3-VA S020H0500T3-VA	192	6066	(1 Cabinet) 1679 lbs	(2 Cabinets) 2 x 1780 lbs
20	208Y/120 - 208Y/120 480Y/277 - 480Y/277 480Y/277 - 208Y/120	S025B0500T3-VA S025H0900T3-VA S025H0500T3-VA	192	7582	(1 Cabinet) 1679 lbs	(2 Cabinets) 2 x 2284 lbs
24	208Y/120 - 208Y/120 480Y/277 - 480Y/277 480Y/277 - 208Y/120	S030B0500T3-VA S030H0900T3-VA S030H0500T3-VA	288	9098	(1 Cabinet) 1719 lbs	(3 Cabinets) 3 x 2284 lbs
32	208Y/120 - 208Y/120 480Y/277 - 480Y/277 480Y/277 - 208Y/120	S040B0500T3-VA S040H0900T3-VA S040H0500T3-VA	312	12131	(1 Cabinet) 2066 lbs	*(3 Cabinets) 3 x 2284 lbs *(4 Cabinets) 3 x 2284 lbs 1 x 748 lbs
40	208Y/120 - 208Y/120 480Y/277 - 480Y/277 480Y/277 - 208Y/120	S050B0500T3-VA S050H0900T3-VA S050H0500T3-VA	552	15164	(1 Cabinet) 2463 lbs	(4 Cabinets) 3 x 2284 lbs 1 x 1948 lbs
50	208Y/120 - 208Y/120 480Y/277 - 480Y/277 480Y/277 - 208Y/120	S062B0500T3-VA S062H0900T3-VA S062H0500T3-VA	552	18000	(1 Cabinet) 2565 lbs	(4 Cabinets) 3 x 2284 lbs 1 x 2270 lbs

60 KW is available - contact factory

* 3 Cabinets with 10" Hutch OR 3 Cabinets plus one 48" Cabinet.

All units are 90 minutes Battery Back-up time @ full load, consult factory for longer back-up times



Specifications are subject to change without notice

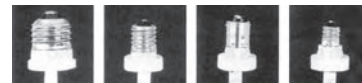
OPTIONS

- Secondary Auxillary Circuit Breakers: Normally On, Normally Off, Normally Off w/ Delay, Trip Alarm
 - Form 'C' Contacts (5) (N.o.)
 - Secondary Normally On/Off Terminal Block selection
 - Remote Status Panel Unit with Audible Alarm and Silence Switch
 - Local Audible Alarm with Silence Switch
 - Input Current Harmonic Filter, 10% & 5% (This option will not be offered with Secondary Auxillary Circuit Breakers)
 - External Maintenance Bypass Switch (wrap around type)
 - Main Input and/or Output Circuit Breaker (with custom KAIC)
 - Built-in Secondary Distribution
 - External Attachable Panelboard (30-42 poles)
 - Input Transient Voltage Surge Suppressor (TVSS)
 - Harmonic Tolerance (up to K-50)
 - EMI Filter
 - Stackable Cabinet Rack to save floor space
 - Certified Zone 4 Seismic Brkt
 - Extended Warranty and Service Plans
 - Spare Part Kits Available
 - Global Monitoring System
- LOCAL
- Local PC via RS232 & RS485
 - Event Logging up to 500
- REMOTE
- Dial-up
 - Voice (10 event logging), numeric pager
 - Voice, data, fax, pager, PC, e-mail, event logging up to 500
 - Web/SNMP: System status, measurement, alarm notification, event logging, and password protection

RT1 SERIES

FEATURES

- Up to 97% energy savings
- 120 or 277 volt
- Direct wire or socket ready
- High intensity red or green LEDs
- Bright, uniform face illumination
- Consumes only 1 watt of power
- Surge protected parallel circuitry
- 80 to 100 year expected life
- Maintenance-free
- 5 year warranty
- Retrofit lens kit available separately



ORDERING INFORMATION

SERIES	VOLTAGE	CONNECTION	SOCKET BASE
RT1 = Red GRT1 = Green	A = 120 Volt V = 277 Volt* * Direct Wire Only	D = Direct Wire S = Socket Ready* * 120 volt only	B = Bayonet Base C = Candelabra Base I = Intermediate Base M = Medium Base

RT2 SERIES

FEATURES

- 2 LED retrofit bulbs with candelabra base and each intermediate and bayonet adapters included in each package
- 120 volt only
- Only 1.2 watts per bulb
- Available in red and green LEDs
- Uniform letter illumination (no hot spots)
- Non-breakable housing
- Red 5 1/8"H x 1 5/8"W Green 4 1/2"H x 1 5/8"W
- Add 1/8" to height when using adapter
- 5 year warranty



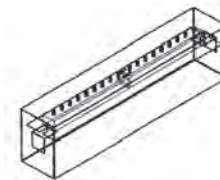
ORDERING INFORMATION

SERIES	VOLTAGE	BASE
RT2 = Red GRT2 = Green	A = 120 Volt	S = Socket D = Direct Wire

LEDGE SERIES

FEATURES

- Retrofit any fluorescent edge-lit exit sign, contact Exitronix for manufacturers not shown below
- Bright, uniform illumination
- Universal design converts single or double face sign
- Direct wire into existing AC line
- 120 or 277 volt available
- Red or true green high intensity LEDs
- 100,000 hour life expectancy
- Consumes 1.2 watts of power
- Up to 97% in energy savings
- 5 year warranty



ORDERING INFORMATION

SERIES	LED COLOR	VOLTAGE	CONNECTION	MANUFACTURER'S SUFFIX
LEDGE	R = Red G = Green	A = 120 Volt V = 277 Volt	D = Direct Wire	1 = Lithonia 2 = Prescolite 3 = Emergilite 4 = Cole Lighting 5 = Light Alarms 6 = McPhilben 7 = Alkco Lighting 8 = Big Beam/Marco 9 = Sure-Lites 10 = Radiant Design

WARRANTY FOR ALL RETROFIT KITS

Any component that fails due to manufacturer's defect is guaranteed for 5 years. Warranty does not apply to damages caused by improper installation, abuse, fire or acts of God. Exitronix reserves the right to charge for such repairs if deemed necessary.

Specifications are subject to change without notice

ILLUMINATION

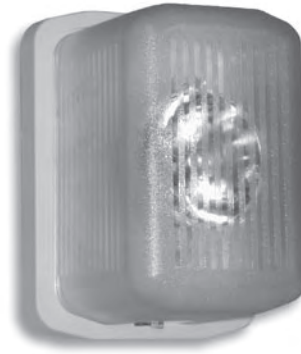
The Value Series Remote Emergency Head utilizes a lamp reflector system that can be adjusted 180° horizontally and vertically to direct light exactly where it is needed. Choice of tungsten or halogen high performance lamps between 6 and 20 watts. The polycarbonate diffuser hides the actual lamp system while maximizing the reflector efficiency.

HOUSING

Constructed of high impact thermoplastic. Backplate has matching knockouts for easy installation to junction boxes. Installation is further simplified with a snap together backplate and diffuser. Also available with a form-fitted gasket for outdoor applications.

WARRANTY

Any component that fails due to manufacturer's defect is guaranteed for 1 year. The warranty does not cover physical damage, abuse or acts of God.



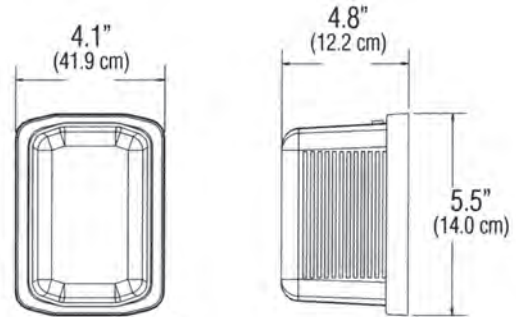
VR-V1T-W



VR2-V1T-W

The Value Series Remote Emergency Head blends seamlessly with existing interiors and can be removed from any standard emergency lighting unit. It is designed to complement the Exitronix 6 volt VEX Series exit signs or 6 and 12 volt emergency lighting units.

DIMENSIONS



ORDERING INFORMATION

SERIES	LAMP WATTAGE/VOLTAGE	BACKPLATE COLOR	OPTIONS
VR = One Lamp VR2 = Two Lamps	<u>6V, TUNGSTEN T-5 WEDGE BASE</u> V0T = 4.6 Watt V1T = 6.0 Watt V2T = 7.0 Watt V3T = 9.0 Watt <u>6V, HALOGEN T-2¹/₄ WEDGE BASE</u> V1H = 7.0 Watt V2H = 10 Watt V3H = 12 Watt <u>12V², TUNGSTEN T-5 WEDGE BASE</u> V4T = 9 Watt V5T = 12 Watt V6T = 18 Watt <u>12V², HALOGEN T-2¹/₄ WEDGE BASE</u> V4H = 12 Watt <u>12V², HALOGEN MR16 STYLE³</u> V5H = 20 Watt 2 LAMP HEADS <u>*6V, HALOGEN MR11 STYLE</u> V10H = 5.0 Watt *only available with VR2	W = White B = Black	D = Gasket for outdoor use ¹

Notes:

- 1) A form fitted gasket is supplied to be installed between the luminaire and junction box to protect against water entry. This product is not recommended for use in areas where high wind, or high pressure spray washdown could occur.
- 2) 12 volt remotes are available only in conjunction with 12 volt emergency lighting units and are not adaptable for use with exit signs.
- 3) Halogen 20 watt, 12VDC lamp is an MR16 style. The standard 20 watt MR16 lamp incorporates a (NSP-15) narrow spot, 15 degree beam pattern.

Specifications are subject to change without notice

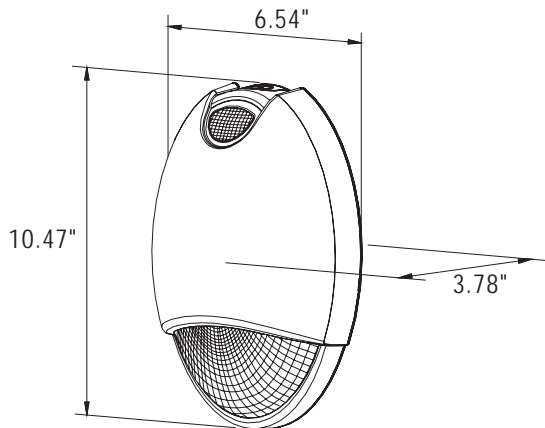
FEATURES

- Contemporary, low-profile, streamlined design
- Suitable for Damp or Wet Locations (-20^o to 50^o C)
- 2 x 6V 6W Xenon lamps for emergency mode.
- Durable die-cast aluminum housing
- UV stable polycarbonate lens and mirrored reflector
- UL94-5VA flame rating on polycarbonate components
- Wall mounted
- Quick connect mounting back plate
- 5 year warranty

WARRANTY

Any component that fails due to manufacturer's defect is guaranteed for 5 years with a separate 5 year pro-rated warranty on the battery. The warranty does not cover physical damage, abuse or acts of God. Exitronix reserves the right to charge for such repairs if deemed necessary

DIMENSIONS



The Exitronix Triton series is ideal for applications where low-profile, architectural remote lighting is required, and can be remoted from any standard emergency lighting unit. Contemporary design and durable die-cast aluminum construction provide attractive, reliable remote lighting that blends seamlessly into any exterior design. Perfect for damp, wet, or cold environments. Does not include battery or charging circuit, requires separate 6 volt power supply,

ORDERING INFORMATION

SERIES	STYLE	COLOR
TR - Triton	RM - Remote Unit Only	WH - White BL - Black BR - Dark Bronze

Specifications are subject to change without notice

REMOTE LAMPS SHOWN WITH MOUNTING PLATES

RECESSED ADJUSTABLE GIMBAL RING

- Constructed of rugged steel in neutral cream finish
- Mounting plate allows fast, easy installation in suspended T-grid or drywall ceilings
- 6 volt 7.2 watt lamps
- Adjustable, glare-free lighting head



Mounting Plate & Trim: included
Lamp Head: RDG-R

THERMOPLASTIC WEDGE BASE SQUARE HEAD

- Constructed of impact resistant, UL 94 V-0 thermoplastic
- White or black with matching mounting plate included
- 6 volt or 12 volt tungsten T5 wedge base lamps
- Lamps easily replaced by removing lens



Mounting Plate: included
Lamp Head: L1D



Mounting Plate: included
Lamp Head: 2L1D

THERMOPLASTIC BI-PIN HALOGEN SQUARE HEAD

- Constructed of impact resistant, UL 94 V-0 thermoplastic
- White or black with matching mounting plate included
- 6 volt, 5 watt bi-pin halogen lamps
- Lamps easily replaced by removing lens



Mounting Plate: included
Lamp Head: L1D-H



Mounting Plate: included
Lamp Head: 2L1D-H

THERMOPLASTIC BI-PIN HALOGEN ROUND HEAD

- Constructed of impact resistant, UL 94 V-0 thermoplastic
- White finish with matching mounting plate included
- 6 volt, 7 watt bi-pin halogen lamps
- Lamps easily replaced by removing lens



Mounting Plate: included
Lamp Head: AD-1



Mounting Plate: included
Lamp Head: AD-2

THERMOPLASTIC WET LOCATION RATED

- Available for NEMA outdoor applications
- Color-matched mounting plate included
- Constructed of gray polycarbonate
- 6 or 12 volt Par 36 tungsten lamps
- Lamp heads are fully gasketed
- Lamps easily replaced by removing snap ring



Mounting Plate: included
Lamp Head: Z1P-B



Mounting Plate: included
Lamp Head: 2Z1P-B

Specifications are subject to change without notice

**THERMOPLASTIC WEDGE BASE
ROUND HEAD**

- Constructed of impact resistant, UL 94 V-0 thermoplastic
- White, black or tan with matching mounting plates
- Sealed beam Par 36 or wedge base, tungsten or halogen lamps
- Lamps easily replaced by removing snap-in retainer ring



Mounting Plate: WP1
Lamp Head: T1A



Mounting Plate: WP2
Lamp Head: T1A

**POLYCARBONATE WEDGE BASE
RECTANGULAR HEAD**

- Constructed of polycarbonate
- White, black or tan with matching mounting plates
- Features 6 volt or 12 volt tungsten T5 wedge base lamps
- Lamps easily replaced by removing snap ring



Mounting Plate: WP1
Lamp Head: P1D



Mounting Plate: WP2
Lamp Head: P1D

**THERMOPLASTIC AND METAL
CHROME SEALED BEAM PAR 36**

- Constructed of impact resistant, UL 94 V-0 thermoplastic or chrome plated steel
- 6 or 12 volt sealed beam tungsten or halogen lamps
- Lamps easily replaced by removing the snap ring



Mounting Plate: PM1
Lamp Head: S1M



Mounting Plate: PMCS1
Lamp Head: S1M

**INDUSTRIAL POLYCARBONATE
SEALED BEAM PAR 36**

- Available for NEMA or Class 1, Division 2 applications
- Constructed of gray polycarbonate
- 6 or 12 volt Par 36 sealed beam tungsten or halogen lamps
- Optional shatterproof lens for food service applications
- Lamp heads are fully gasketed
- Lamps easily replaced by removing ring bezel



Mounting Plate: PM1
Lamp Head: Z1K

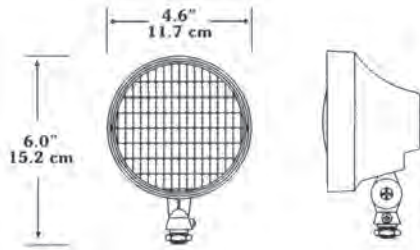


Mounting Plate: PM3
Lamp Head: Z1K

Specifications are subject to change without notice

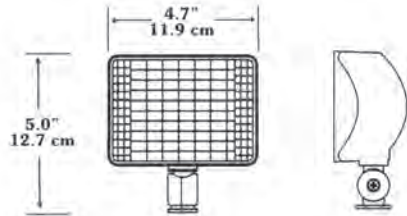
REMOTE LAMP HEADS SPECIFICATIONS

THERMOPLASTIC WEDGE BASE ROUND HEAD



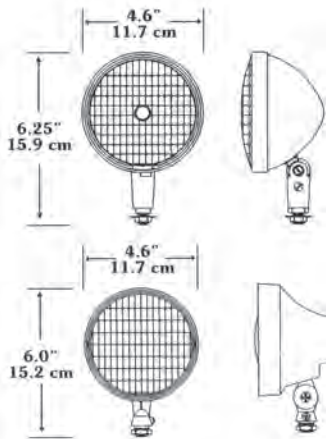
T SERIES	VOLTAGE	WATTAGE	CATALOG NO.			REPLACEMENT LAMP NO.	
			WHITE	BLACK	TAN	EXITRONIX NO.	ANSI NO.
TUNGSTEN	6 VOLTS	5.4	T1A	T1B	T1C	19-2-54	939
		7.2	T2A	T2B	T2C	19-2-58	927
		9.0	T3A	T3B	T3C	19-2-45	908
	12 VOLTS	9.0	T4A	T4B	T4C	19-2-53	915
		12.5	T5A	T5B	T5C	19-2-62	922
		17.9	T6A	T6B	T6C	19-2-61	921
HALOGEN	6 VOLTS	7	T7A	T7B	T7C	19-2-83	ERM
		10	T8A	T8B	T8C	19-2-82	ERN
		12	T9A	T9B	T9C	19-2-84	ERK
	12 VOLTS	12	T10A	T10B	T10C	19-2-85	ERB

POLYCARBONATE WEDGE BASE RECTANGULAR HEAD



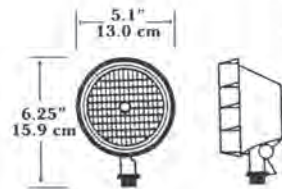
P SERIES	VOLTAGE	WATTAGE	CATALOG NO.			REPLACEMENT LAMP NO.	
			WHITE	BLACK	TAN	EXITRONIX NO.	ANSI NO.
TUNGSTEN	6 VOLTS	5.4	L1D	-	-	-	939
		5.4	P1D	P1E	P1F	19-2-54	939
		7.2	P2D	P2E	P2F	19-2-58	927
	12 VOLTS	9.0	P3D	P3E	P3F	19-2-45	908
		9.0	P4D	P4E	P4F	19-2-53	915
		12.5	P5D	P5E	P5F	19-2-62	922
		18.0	P6D	P6E	P6F	19-2-61	921

THERMOPLASTIC & METAL CHROME SEALED BEAM PAR 36



R & S SERIES	VOLTAGE	WATTAGE	CATALOG NO.				REPLACEMENT LAMP NO.	
			METAL CHROME	WHITE	BLACK	TAN	EXITRONIX NO.	ANSI NO.
TUNGSTEN	6 VOLTS	8.0	S1M	R1G	R1H	R1J	19-1-7613	7613
		18.0	S2M	R2G	R2H	R2J	19-1-4014	4014
		25.0	S3M	R3G	R3H	R3J	19-1-4510	4510
		30.0	S4M	R4G	R4H	R4J	19-1-4515	4515
	12 VOLTS	12.0	S5M	R5G	R5H	R5J	19-1-4044	4044
		18.0	S6M	R6G	R6H	R6J	19-1-4414	4414
		25.0	S7M	R7G	R7H	R7J	19-1-4446	4446
		30.0	S8M	R8G	R8H	R8J	19-1-4405	4405
		8.0	S9M	R9G	R9H	R9J	19-1-7551	7551
HALOGEN	6 VOLTS	12.0	S10M	R10G	R10H	R10J	19-1-7553	7553
		8.0	S11M	R11G	R11H	R11J	19-1-7555	7555
	12 VOLTS	8.0	S12M	R12G	R12H	R12J	19-1-7557	7557

INDUSTRIAL POLYCARBONATE SEALED BEAM PAR 36



Z SERIES	VOLTAGE	WATTAGE	CATALOG NO.		REPLACEMENT LAMP NO.	
			CLASS 1 DIV 2	NEMA RATED*	EXITRONIX NO.	ANSI NO.
TUNGSTEN	6 VOLTS	8.0	Z1K	Z1P	19-1-7613	7613
		18.0	Z2K	Z2P	19-1-4014	4014
		25.0	Z3K	Z3P	19-1-4510	4510
		30.0	Z4K	Z4P	19-1-4515	4515
	12 VOLTS	12.0	Z5K	Z5P	19-1-4044	4044
		18.0	Z6K	Z6P	19-1-4414	4414
		25.0	Z7K	Z7P	19-1-4445	4445
		30.0	Z8K	Z8P	19-1-4405	4405
		6.0	Z9K	Z9P	19-1-7556	7556
HALOGEN	6 VOLTS	8.0	Z10K	Z10P	19-1-7551	7551
		12.0	Z11K	Z11P	19-1-7553	7553
	12 VOLTS	8.0	Z12K	Z12P	19-1-7555	7555
		12.0	Z13K	Z13P	19-1-7557	7557

Specifications are subject to change without notice

REMOTE LAMPS

FOR REMOTE LAMP HEADS **MOUNTING PLATES**



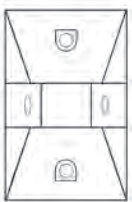
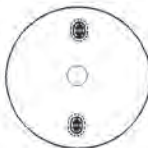


MOUNTING PLATES

LAMP HEAD TYPES

Thermoplastic Heads

Metal Chrome Heads

NEMA or Class I Div II Heads

	Chrome Single Heads Fits Single Gang Wall Box Double Head Fits Three or Four Gang Wall Box	PM1 PM3	PM1S PM3S	PM1 PM3
		Cast Aluminum Weatherproof Single Head Fits 3" or 4" Round Box Double Head Fits 3" or 4" Round Box	PMCA1 PMCA2	PM1WP PM2WP
	Cast Aluminum Weatherproof Fits Single Gang Box Single Head Double Head	PMCS1 PMCS2	PM1R PM2	PMCS1 PMCS2
		Thermoplastic 5" Diameter Mounts Direct to: Single Gang Wall Box Single Head, Gray Single Head, Tan Single Head, White Single Head, Black Weatherproof Option	TP1 WP1 BP1 -WP	
	Double Head, Gray Double Head, Tan Double Head, White Double Head, Black Weatherproof Option	TP2 WP2 BP2 -WP		GP2-WP TP2-WP Included*
	Same as above with 45° Mounting Holes Fits 3.5" Octangle box Double Head, Gray Double Head, Tan Double Head, White Weatherproof Option	TP2S WP2S -WP		GP2S-WP TP2S-WP



SHOWN:
Mounting Plate: PM1
Lamp Head: Z1K



SHOWN:
Mounting Plate: PM2
Lamp Head: S1M



SHOWN:
Mounting Plate: WP2
Lamp Head: P1D

REMOTE LAMPS

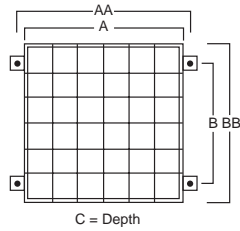
***Mounting plates include weatherproof gasket**

Specifications are subject to change without notice

WIRE GUARDS



WG-D



- Wire guards and the polycarbonate vandal shields provide protection from accidental or intentional abuse of emergency lighting equipment.

- Ideal for high traffic areas such as schools, gymnasiums, parking garages and public buildings.

NEMA RATED ENCLOSURES



702-WB-WH-NEMASF
For double-faced enclosure, use suffix: NEMADF

Single or Double face dimensions:
14.62" W x 11.88" H x 6.88" D

WIRE AND POLYCARBONATE GUARDS FOR REDI-LITE SERIES



Shown: PS

Cat No.	Applications	A	AA	B	BB	C
WG-A	RS6-125, RS12-150, RS12-250, RS12N-100, RS12N-125, RL (85-180w), RH (85-120w)	20.0" 50.8 cm	26.0" 66.0 cm	20.0" 50.8 cm	26.0" 66.0 cm	11.0" 27.9 cm
WG-D	RP6-18, 25, 36, 50, RX, RL, RN RP12-36, 50, RS6-18-100, RS6N-25 RS12-36-100, RS12N-50	16.0" 40.6cm	18.0" 45.7 cm	21.0" 30.5 cm	23.0" 58.4 cm	10.0" 25.4 cm
WG-E	Top and back mount RC standard exits	12.0" 30.5 cm	14.0" 35.6 cm	12.0" 30.5 cm	14.0" 35.6 cm	13.0" 33.0 cm
WG-G	End mount NEMA exit	8.8" 22.4 cm	N/A	N/A	15.0" 38.1 cm	15.0" 38.1 cm
PS	RP6 and RP12	19.4" W x 12.3" H x 9.0" D Outside 19.1" W x 12.1" H x 8.9" D Inside				

MOUNTING SHELVES



White	Tan	Applications	Dimensions		
			Length	Height	Width
RJSH-W	RJSH-T	RS6-RS12 (75/100W), RS12N Except RS12N-100	13.5" 34.3 cm	5.5" 14.0 cm	6.0" 15.2 cm
RLSH-W	RLSH-T	RS6/RS12	14.6" 37.1 cm	5.5" 14.0 cm	3.5" 8.9 cm
RSSH-W	RSSH-T	RP6/RP12	14.6" 37.1 cm	5.5" 14.0 cm	5.3" 13.5 cm
RXSH-W	RXSH-T	RS6-125, RS12-150, RS12-250, RS12-100, RS12-125	16.5" 41.9 cm	7.9" 20.1 cm	8.0" 20.3 cm

Specifications are subject to change without notice

POLYCARBONATE GUARDS

Cat No	Applications	Dimensions		
		Width	Height	Depth
XG-1	Back mount: LL60, 400 Series SF, 500 Series SF, 600 Series SF, 700 Series SF, Executive Series SF, VEX Series SF	14.25" 35.6 cm	9.25" 24.8 cm	3.5" 7.6 cm
XG-3	Ceiling mount: VEX Series SF/DF, 400 Series SF/DF, 500 Series SF/DF, 600 Series SF/DF, 700 Series SF/DF, Executive Series SF/DF	14" 35 cm	11.25" 25.4 cm	5.25" 11.4 cm
XG-4	Ceiling mount with side mounted EL heads: 500 Series SF/DF, 600 Series SF/DF, 700 Series SF/DF, Executive Series SF/DF,	23.5" 60 cm	10.25" 27.3 cm	6" 15.2 cm
XG-5	Back mount with side mounted EL heads: 500 Series SF, 600 Series SF, 700 Series SF (with remote mounted battery), Steel Executive Series SF	26" 64.8 cm	10.5" 24.1 cm	4.75" 11.4 cm
XG-6	Back mount with top mounted EL heads: 500 Series SF, 600 Series SF, 700 Series SF (with remote mounted battery), Executive Series SF, VEX Combo Units	18.25" 45.1 cm	14" 35 cm	6.5" 15.2 cm

WIRE GUARDS

Cat No	Applications	Dimensions		
		Width	Height	Depth
WG-1	Back mount: LL60, 400 Series SF, 500 Series SF, 600 Series SF, 700 Series SF, Executive Series SF, VEX Series SF	15" 36.8 cm	12.75" 30.5 cm	4" 9.5 cm
WG-2	End mount: VEX Series SF/DF, 400 Series SF/DF, 500 Series SF/DF, 600 Series SF/DF, 700 Series SF/DF, Executive Series SF/DF	16.25" 38.1 cm	10.5" 24.1 cm	6.5" 13.3 cm
WG-3	Ceiling mount: VEX Series SF/DF, 400 Series SF/DF, 500 Series SF/DF, 600 Series SF/DF, 700 Series SF/DF, Executive Series SF/DF	14.75" 35.6 cm	12" 29.9 cm	6.5" 15.9 cm
WG-5	Back mount with side mounted EL heads: 500 Series SF, 600 Series SF, 700 Series SF (with remote mounted battery), Steel Executive Series SF	30" 76.2 cm	14" 34.3 cm	6.5" 15.2 cm
WG-6	Back mount with top mounted EL heads: 500 Series SF, 600 Series SF, 700 Series SF (with remote mounted battery), Executive Series SF, VEX Combo Units	17" 43.2 cm	13.5" 34.3 cm	5" 12.7 cm
WG-7	Oversized back mount: RP Emergency Lighting Series, NY Series SF, 500/600 SF (with top mount- ed EL heads), 700 SF (with top mounted EL heads), LL90, VEX Combo Units, NEMA SF Enclosure	32" 76.2 cm	16" 35.6 cm	8" 20.3 cm
WG-90	Back mount: LL30, LL55, LL55H, LL60, LL90 & LL90R	15.25" 38.1 cm	11" 34.3 cm	6" 15.2 cm

Specifications are subject to change without notice

WEDGE BASE TUNGSTEN AND TUNGSTEN HALOGEN LAMPS

Drawing No.	Catalog No.	Voltage	Wattage	Lamp Type	Initial Lamp Lumens	Beam Pattern	Replacement Lamp No.	ANSI Code
1	P1D	6	5.4	Tungsten	72	Medium	19-2-54	939
2	P2D	6	7.2	Tungsten	100	Medium	19-2-58	927
3	P3D	6	9.0	Tungsten	150	Medium	19-2-45	908
4	P4D	12	9.0	Tungsten	150	Medium	19-2-53	915
5	P5D	12	12.5	Tungsten	189	Medium	19-2-62	922
6	P6D	12	18.0	Tungsten	260	Medium	19-2-61	921
7	T1A	6	5.4	Tungsten	72	Medium	19-2-54	939
8	T2A	6	7.2	Tungsten	100	Medium	19-2-58	927
9	T3A	6	9.0	Tungsten	150	Medium	19-2-45	908
10	T4A	12	9.0	Tungsten	150	Medium	19-2-53	915
11	T5A	12	12.0	Tungsten	251	Medium	19-2-62	922
12	T6A	12	18.0	Tungsten	260	Medium	19-2-61	921
13	T7A	6	7.0	Tungsten Halogen	176	Medium	19-2-31	ERM
14	T8A	6	10.0	Tungsten Halogen	150	Medium	19-2-36	ERN
15	T9A	6	12.0	Tungsten Halogen	251	Medium	19-2-29	ERK
16	T10A	12	12.0	Tungsten Halogen	302	Medium	19-2-32	ERB

PAR 36 TUNGSTEN AND TUNGSTEN HALOGEN LAMPS

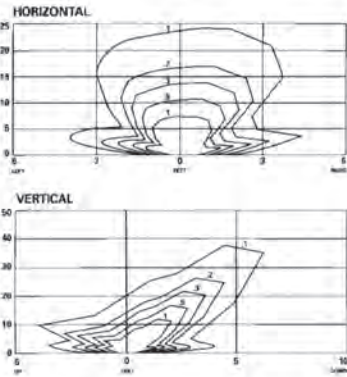
Drawing No.	Catalog No.		Voltage	Wattage	Lamp Type	Max. Beam Candlepower	Beam Pattern	Replacement Lamp No.	ANSI Code
	Thermoplastic	Metal							
17	R1G	S1M	6	8	Tungsten	400	Narrow	19-1-7613	7613
18	R2G	S2M	6	18	Tungsten	1500	Narrow	19-1-4014	4014
19	R3G	S3M	6	25	Tungsten	800	Medium	19-1-4510	4510
20	R4G	S4M	6	30	Tungsten	55,000	Narrow	19-1-4515	4515
21	R9G	S9M	6	8	Tungsten Halogen	550	Medium	19-1-7551	7551
22	R10G	S10M	6	12	Tungsten Halogen	850	Medium	19-1-7553	7553
23	R5G	S5M	12	12	Tungsten	1110	Narrow	19-1-4044	4044
24	R6G	S6M	12	18	Tungsten	1500	Narrow	19-1-4414	4414
25	R7G	S7M	12	25	Tungsten	400	Wide	19-1-4446	4446
26	R8G	S8M	12	30	Tungsten	50,000	Narrow	19-1-4405	4405
27	R11G	S11M	12	8	Tungsten Halogen	550	Narrow	19-1-7555	7555
28	R12G	S12M	12	12	Tungsten Halogen	850	Narrow	19-1-7557	7557

PAR 36 TUNGSTEN AND TUNGSTEN HALOGEN LAMPS - INDUSTRIAL GRADE

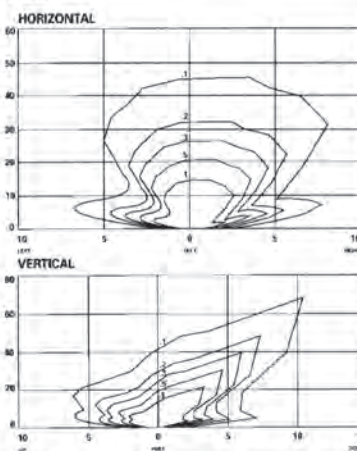
Drawing No.	Catalog No.		Voltage	Wattage	Lamp Type	Max. Beam Candlepower	Beam Pattern	Replacement Lamp No.	ANSI Code
	Class I, Div. 2 Gray	NEMA Rated Gray							
17	Z1K	Z1P	6	8	Tungsten	400	Narrow	19-1-7613	7613
18	Z2K	Z2P	6	18	Tungsten	1500	Narrow	19-1-4014	4014
19	Z3K	Z3P	6	25	Tungsten	800	Medium	19-1-4510	4510
20	Z4K	Z4P	6	30	Tungsten	55,000	Narrow	19-1-4515	4515
21	Z10K	Z10P	6	8	Tungsten Halogen	550	Medium	19-1-7551	7551
22	Z11K	Z11P	6	12	Tungsten Halogen	850	Medium	19-1-7553	7553
23	Z5K	Z5P	12	12	Tungsten	1110	Narrow	19-1-4044	4044
24	Z6K	Z6P	12	18	Tungsten	1500	Narrow	19-1-4414	4414
25	Z7K	Z7P	12	25	Tungsten	400	Wide	19-1-4446	4446
26	Z8K	Z8P	12	30	Tungsten	50,000	Narrow	19-1-4405	4405
27	Z12K	Z12P	12	8	Tungsten Halogen	550	Narrow	19-1-7555	7555
28	Z13K	Z13P	12	12	Tungsten Halogen	850	Narrow	19-1-7557	7557

Specifications are subject to change without notice

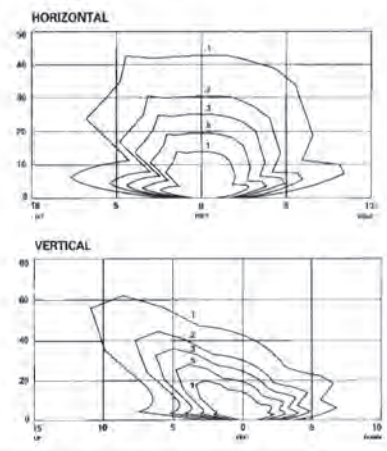
1 6 Volt, 5.4 Watt
Tungsten Wedge Base
P1D



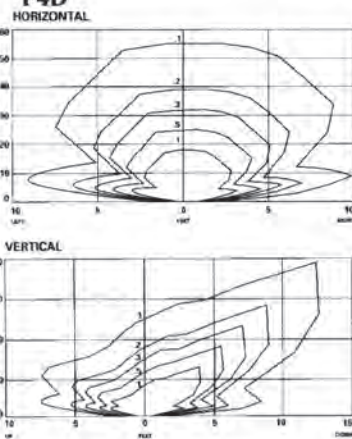
2 6 Volt, 7.2 Watt
Tungsten Wedge Base
P2D



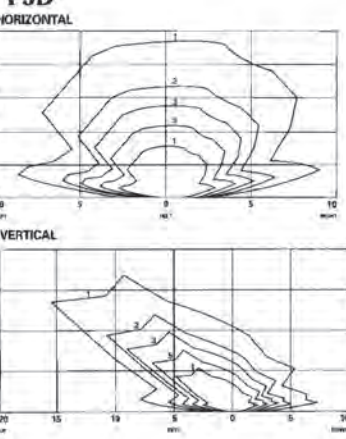
3 6 Volt, 9.0 Watt
Tungsten Wedge Base
P3D



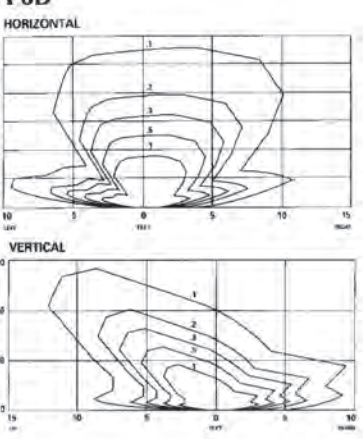
4 12 Volt, 9 Watt
Tungsten Wedge Base
P4D



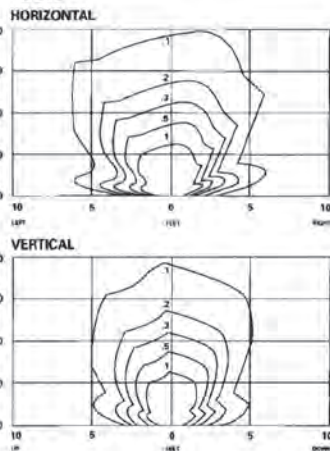
5 12 Volt, 12.5 Watt
Tungsten Wedge Base
P5D



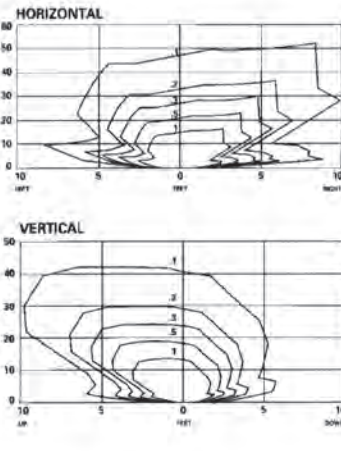
6 12 Volt, 18 Watt
Tungsten Wedge Base
P6D



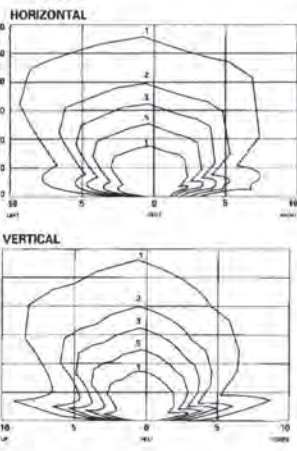
7 6 Volt, 5.4 Watt
Tungsten Wedge Base
T1A



8 6 Volt, 7.2 Watt
Tungsten Wedge Base
T2A



9 6 Volt, 9.0 Watt
Tungsten Wedge Base
T3A

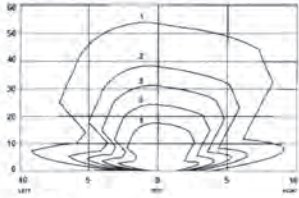


Specifications are subject to change without notice

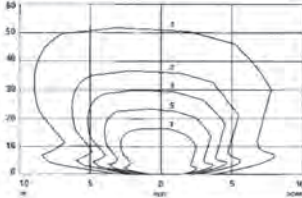
**10 12 Volt, 9.0 Watt
Tungsten Wedge Base**

T4A

HORIZONTAL



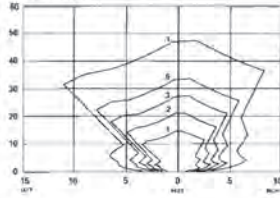
VERTICAL



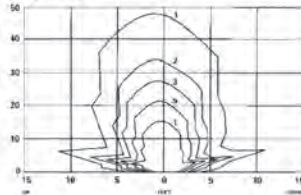
**11 12 Volt, 12.0 Watt
Tungsten Wedge Base**

T5A

HORIZONTAL



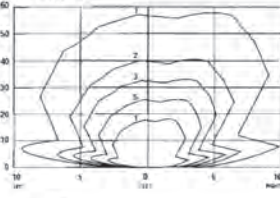
VERTICAL



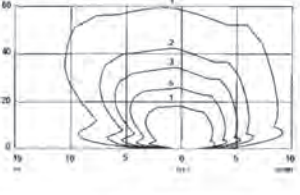
**12 12 Volt, 18.0 Watt
Tungsten Wedge Base**

T6A

HORIZONTAL



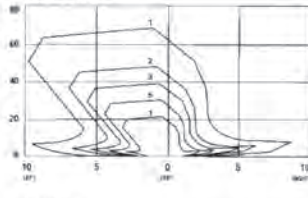
VERTICAL



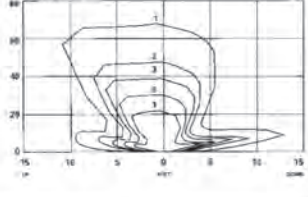
**13 6 Volt, 7.0 Watt
Halogen Wedge Base**

T7A

HORIZONTAL



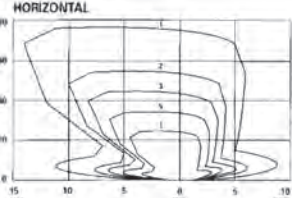
VERTICAL



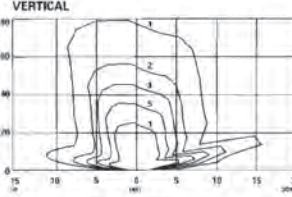
**14 6 Volt, 10.0 Watt
Halogen Wedge Base**

T8A

HORIZONTAL



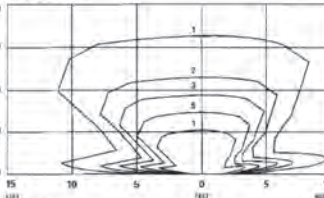
VERTICAL



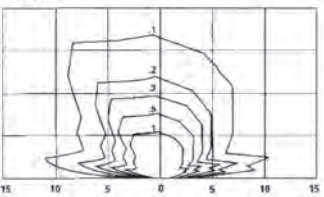
**15 6 Volt, 12.0 Watt
Halogen Wedge Base**

T9A

HORIZONTAL



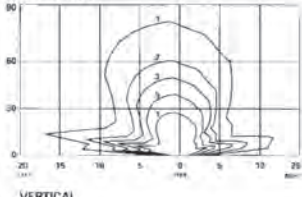
VERTICAL



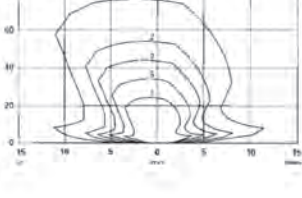
**16 12 Volt, 12.0 Watt
Halogen Wedge Base**

T10A

HORIZONTAL



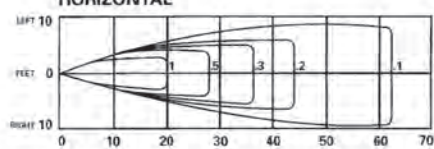
VERTICAL



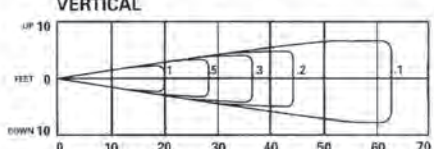
**17 6 Volt, 8.0 Watt
Tungsten Par 36**

R1G, S1M, Z1K, Z1P

HORIZONTAL



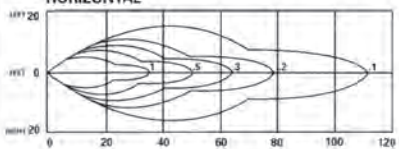
VERTICAL



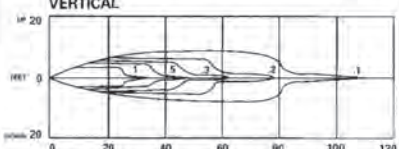
**18 6 Volt, 18.0 Watt
Tungsten Par 36**

R2G, S2M, Z2K, Z2P

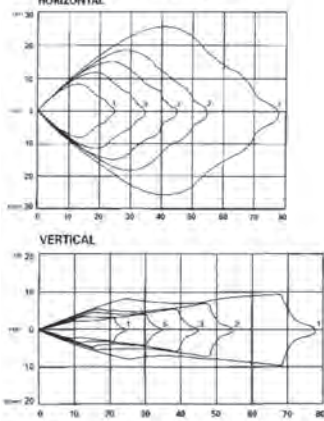
HORIZONTAL



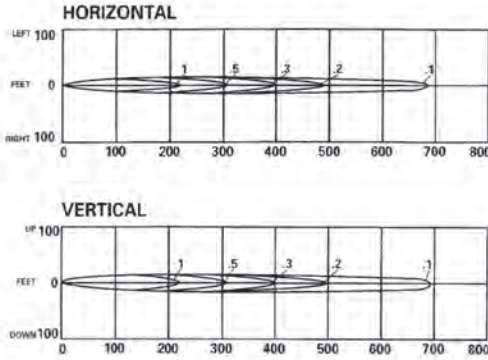
VERTICAL



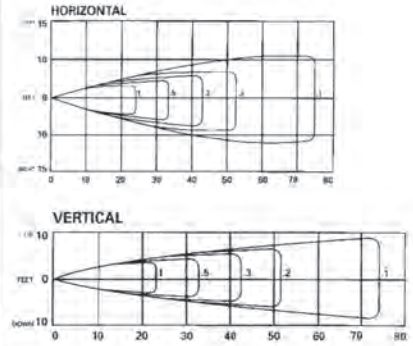
19 6 Volt, 25.0 Watt
Tungsten Par 36
R3G, S3M, Z3K, Z3P



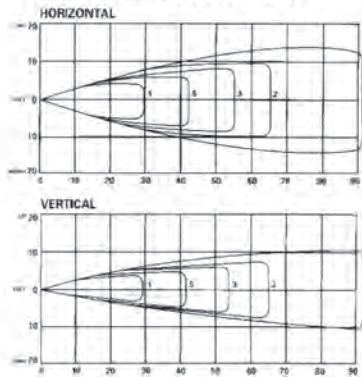
20 6 Volt, 30.0 Watt
Tungsten Par 36
R4G, S4M, Z4K, Z4P



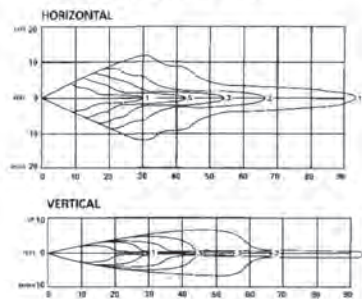
21 6 Volt, 8.0 Watt
Halogen Par 36
R9G, S9M, Z10K, Z10P



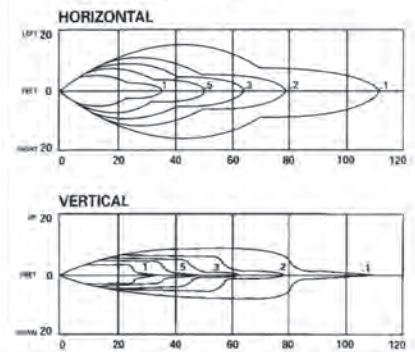
22 6 Volt, 12.0 Watt
Halogen Par 36
R10G, S10M, Z11K, Z11P



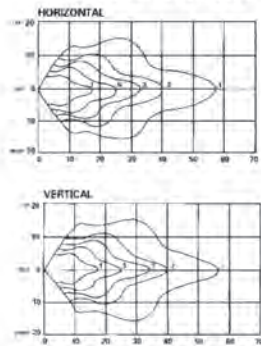
23 12 Volt, 12.0 Watt
Tungsten Par 36
R5G, S5M, Z5K, Z5P



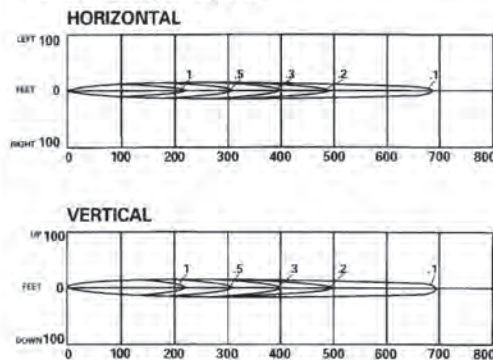
24 12 Volt, 18.0 Watt
Tungsten Par 36
R6G, S6M, Z6K, Z6P



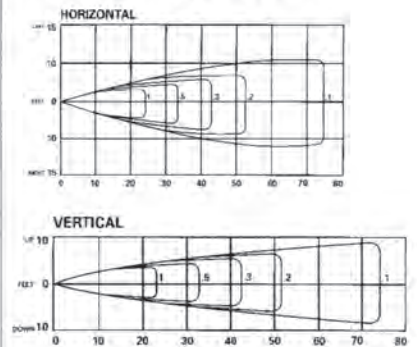
25 12 Volt, 25.0 Watt
Tungsten Par 36
R7G, S7M, Z7K, Z7P



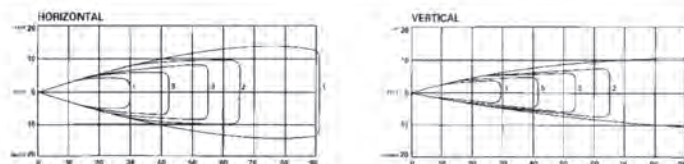
26 12 Volt, 30.0 Watt
Tungsten Par 36
R8G, S8M, Z8K, Z8P



27 12 Volt, 8.0 Watt
Halogen Par 36
R11G, S11M, Z12K, Z12P



28 12 Volt, 12.0 Watt
Halogen Par 36
R12G, S12M,
Z13K, Z13P



Specifications are subject to change without notice

The National Electrical Code limits voltage drop to a maximum of 5% of nominal. The table shows the maximum length of a given battery circuit, assuming that the total load is concentrated at the end of the load circuit. If loads are uniformly spaced (equal watts, equal distances) along the circuit path, all of these distances may be increased, based on the number of heads or fixtures on a given circuit. This may permit a savings by the use of a smaller wire size (see wiring distance formula table below).

Wiring Distance Formula Table

Number of Heads	2	3	4	5	6
Multiply Feet by	1.33	1.5	1.6	1.67	1.71

For example, a 36 foot long, 6 volt circuit has 7 watt heads spaced 12 feet apart. According to the voltage drop table, #10 wire must be used at 43 feet for a 5% voltage drop. But, multiplying the 27 feet for #12 wire by 1.5, a 40½ foot wire run is acceptable. Therefore, #12 wire may be used and still meet the 5% voltage drop limitation. Wire size determinations can be made for non-uniformly spaced loads. But for ease and safety, it would be advisable to use the voltage drop tables. For a precise determination of the maximum length of wire run for a concentration load (before applying the adjustment for uniformly distributed loads), divide the total load in watts into the constant at the bottom of each row. (Example: the maximum wire run for #12 wire on a 12 volt system, with a 44 watt load, is $2267 \div 44$, or 51 feet.)

Conversely, the maximum load on a run of known length (before applying the adjustment) may be determined by dividing the length into the constant. (Example: On a 12 volt system, a 38 foot run of #12 wire can be loaded to $2267 \div 38 = 60$ watts; on #10 wire, $3604 \div 38 = 94$ watts.)

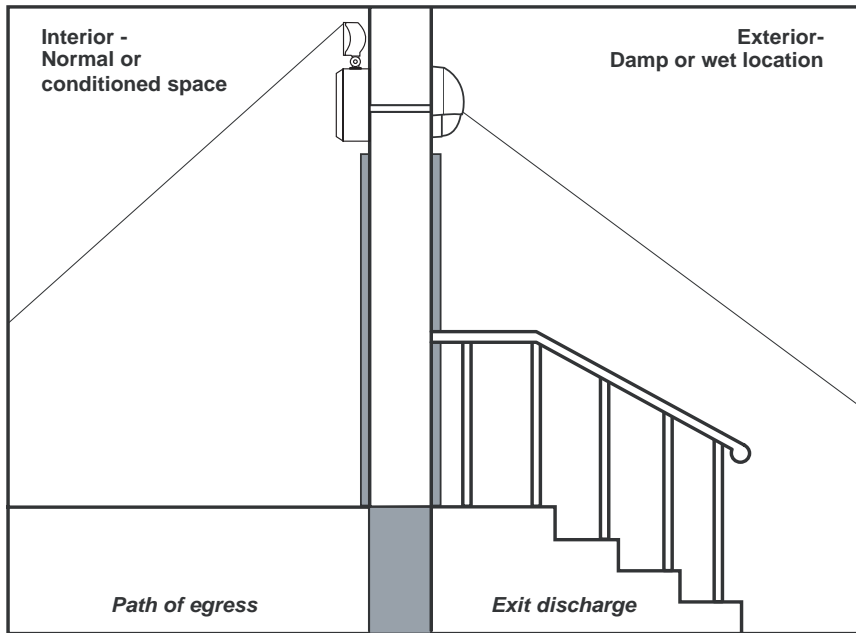


6 VOLT SYSTEM

12 VOLT SYSTEM

Total Watts on Wire Run	6 VOLT SYSTEM				12 VOLT SYSTEM			
	Wire Gauge (in feet)				Wire Gauge (in feet)			
	12	10	8	6	12	10	8	6
6	94	150	238	379	377	600	955	1518
7	81	128	204	325	323	515	818	1301
8	70	112	179	284	283	450	716	1138
10	56	90	143	227	226	360	573	911
12	47	75	119	189	189	300	477	759
14	40	64	102	162	162	257	409	650
16	35	56	89	142	141	225	358	569
18	31	50	79	126	126	200	318	506
20	28	45	71	113	113	180	286	455
21	27	43	68	108	108	171	272	433
24	23	37	59	94	94	150	238	379
25	22	36	57	91	90	144	229	364
28	20	32	51	81	81	128	204	325
30	19	30	47	76	75	120	191	303
32	17	28	44	71	70	112	179	284
35	16	25	41	65	64	103	163	260
36	15	25	39	63	63	100	159	253
40	14	22	35	57	56	90	143	227
42	13	21	34	54	54	86	136	217
48	11	18	29	47	47	75	119	189
49	11	18	29	46	46	73	117	186
50	11	18	28	45	45	72	114	182
54	10	16	26	42	42	66	106	168
56	10	16	25	40	40	64	102	162
60	9	15	23	38	37	60	95	151
64	8	14	22	35	35	56	89	142
70	8	12	20	32	32	51	82	130
72	7	12	19	31	31	50	79	126
75	7	12	19	30	30	48	76	121
80	7	11	18	28	28	45	71	113
84	6	10	17	27	27	43	68	108
88	6	10	16	25	25	41	65	103
90	6	10	16	25	25	40	63	101
96	6	9	15	23	23	37	59	95
100	5	9	14	22	22	36	57	91
104	5	8	13	21	21	34	55	87
108	5	8	13	21	21	33	53	84
112	5	8	12	20	20	32	51	81
120	4	7	11	19	18	30	47	76
125	4	7	11	18	18	28	45	72
126	4	7	11	18	18	28	45	72
128	4	7	11	17	17	28	44	71
132	4	6	10	17	17	27	43	69
136	4	6	10	16	16	26	42	67
144	4	6	10	15	15	25	39	63
150	3	6	9	15	15	24	38	60
152	3	6	9	15	15	23	37	60
156	3	5	9	14	14	23	36	58
160	3	5	9	14	14	22	35	57
162	3	5	8	14	14	22	35	56
168	3	5	8	13	13	21	34	54
175	3	5	8	13	13	20	32	52
176	3	5	8	12	12	20	32	51
180	3	5	8	12	12	20	31	50
184	3	4	7	12	12	19	31	49
192	3	4	7	11	11	18	29	47
198	2	4	7	11	11	18	29	46
200	2	4	7	11	11	18	28	45
Constant	567	901	1432	2277	2267	3604	5730	9109

Specifications are subject to change without notice



Conventional emergency lighting and exit signs were primarily focused on helping guide occupants to the exterior of a building. Today, additional focus is being placed on getting occupants to an exit safely and down a path of safety once they are out of the building. This guide will help define the exit discharge, reference code requirements for the exit discharge. Either normally-on or normally-off fixtures can provide exit discharge illumination. However, this guide will only cover normally-off fixtures.

CODE INFORMATION

Life Safety Code (NFPA 101)

Section 3.3.136 Means of Egress:

A continuous and unobstructed way of travel from any point in a building or structure to a public way consisting of three separate and distinct parts: (1) the exit access, (2) the exit, and (3) the exit discharge.

Section 3.3.136.1 Accessible Means of Egress

Section 7.9 Emergency Lighting:

7.9.1.2 “. . .exit discharge shall include only designated stairs, ramps, aisles, walkways, and escalators leading to a public way.”

Section 7.9.2 Performance of System:

7.9.2.1 “Emergency illumination shall be provided for not less than 1-½ hours in the event of failure of normal lighting. Emergency lighting facilities shall be arranged to provide initial illumination that is not less than an average of 1 ft-candle (10.8 lux) and, at any point, not less than 0.1 ft-candle (1.1 lux), measured along the path of egress at floor level. Illumination levels shall be permitted to decline to not less than an average of 0.6 ft-candle (6.5 lux) and, at any point, not less than 0.06 ft-candle (6.5 lux) at the end of the 1-½ hours. A maximum-to-minimum illumination uniformity ratio of 40 to 1 shall not be exceeded.”

Since exit discharge is one of the three components defined as the “means of egress” per 3.3.121 of the Life Safety Code and since 7.9.1.1 also includes exit discharge, many authorities having jurisdiction have concluded that the lighting levels of 7.9.2.1 apply in full. Note: Variations may exist depending upon the interpretation of codes in your area.

This reprinted material is not the complete and official position of the NFPA on the referenced subject, which is entirely represented only by the standard in its entirety.

Specifications are subject to change without notice

WHAT IS EXIT DISCHARGE...

The exit discharge is the portion of the means of egress between the building exit and the public way. According to the 2003 Life Safety Code, section 3.3.175, a public way is defined as “A street, alley or other similar parcel of land essentially open to the outside air deeded, dedicated, or otherwise permanently appropriated to the public for public use and having a clear width and height of not less than 30ft (50mm) (120in).”

HOW TO DECIDE WHEN IT APPLIES...

Since the nature of the exit discharge is outdoor applications, standard fixtures may not be suitable. Outdoor applications fall into two categories: damp location or wet location. According to chapter one, article 100, of the 2002 National Electrical Code, damp locations include “. . . partially protected locations under canopies, marquees, roofed open porches, and like locations. . .” Wet location is partially defined as “. . . locations subject to saturation with water or other liquids, such as vehicle washing areas; and in unprotected locations exposed to weather.”

REMOTE FIXTURES

In general, remote fixtures offer advantages such as lower initial cost, lower maintenance costs, and better aesthetics over typical emergency battery units. These advantages are more prevalent in environments that require special ratings such as wet location and NEMA 4X, or in areas where ambient temperatures can diminish battery capacity or life. Both occurrences are common with the exit discharge. In many instances, the battery unit can be installed in a normal or conditioned environment with the remote heads located in the areas that require special ratings.

POWER SOURCES

Once the classification of an environment is determined and the remote fixtures have been chosen, the next step is to determine which power sources will operate the remote fixtures from a normal or controlled environment. If a facility utilizes unit equipment for its emergency lighting, the option of running the exit discharge remote(s) off of those units should be considered.

If the facility is not utilizing unit equipment for its emergency lighting, the exit discharge remote(s) can be powered by special exit/unit equipment combination signs that are placed above any door leading to the exit discharge.

UNDERCABINET TASK LIGHTING

HOUSING

Heavy gauge steel with flush ends. Knockouts have been conveniently located on the side and back of the fixture. Fixtures are white enamel over a rust inhibiting coating with a white interior. The ballast compartment has been designed with concealed screws, eliminating any exposed hardware.

LENS

Snap-in type translucent prismatic acrylic diffuser provides bright, even light distribution.

ELECTRICAL

Factory wired for 110-125 VAC operation. All units supplied with T5 style lamps and include electronic ballasts. U.L. Listed.

MOUNTING

Individual or continuous rows.

SWITCH

Factory supplied switch included with every unit and packaged inside ballast compartment.



The UC Series, Under cabinet lighting provides uniform, efficient illumination. The UC series is an ideal task light and its slim design fits unnoticed under cabinets and shelving.

WARRANTY

Any component that fails due to manufacturer's defect is guaranteed for 1 year from time of shipment. Warranty does not apply to damages caused by improper installation, abuse, fire or acts of God.

ORDERING INFORMATION

Catalog Model #	Size	Ballast Type	Lamps (Included)	Dimensions
UC12E120-3 UC12E120	12"	Electronic Ballast	(1) 8 Watt T5	12 1/4 x 3 x 1 1/16 12 1/4 x 5 x 1 1/16
UC21E120-3 UC21E120	21"	Electronic Ballast	(1) 13 Watt T5	21 1/8 x 3 x 1 1/16 21 1/8 x 5 x 1 1/16
UC24E120-3 UC24E120	24"	Electronic Ballast	(2) 8 Watt T5	24 3/8 x 3 x 1 1/8 24 3/8 x 5 x 1 1/8
UC33E120-3 UC33E120	33"	Electronic Ballast	(1) 8 Watt T5 & (1) 13 Watt T5	33 7/8 x 3 x 1 1/16 33 7/8 x 5 x 1 1/16
UC42E120-3 UC42E120	42"	Electronic Ballast	(2) 13 Watt T5	42 1/4 x 3 x 1 1/16 42 1/4 x 5 x 1 1/16



Specifications are subject to change without notice

Exitronix is pleased to announce the ultimate in LED sign flexibility. We have devised a simple and effective means to customize your signage needs utilizing LED technology. For years Exitronix has been a leader in LED lighting, now we are offering the ability to take advantage of the latest LED colors and brightness advancements and couple them with your custom signage needs.

Exitronix can display any custom message, company logo, or personalized option in any font, size or color to compliment any application. So be creative and call the factory or e-mail us at ledexit@exitronix.com for a personalized quotation on this unique offering.

AVAILABLE IN:

- **84 Series:** Weather-proof
- **900 Series:** Edge-lit
- **400 Series:** Die-cast Aluminum
- **700 Series:** Durable Steel
- **VEX Series:** Polycarbonate



CUSTOM SIGNS

Specifications are subject to change without notice

FEATURES

- Suitable for all outdoor locations
- Operates on less than 10 watts
- No lamp replacement
- LED life of 25 years or more
- Installs in minutes with only a screwdriver
- Standard 120 VAC input; class 2 output
- High grade aluminum frame
- Uniform illumination from all angles
- Optional visor
- Optional flush mounting kit
- Optional illuminated operator control switches
- Optional mounting canopy for surface mount applications



Exitronix LED Directional Signage offers an extremely bright, low energy and maintenance-free solution to lane control. Our aesthetically pleasing design, coupled with weatherproof durability and a full five-year warranty, provides you and your customers with state-of-the-art technology and cost savings all in one.

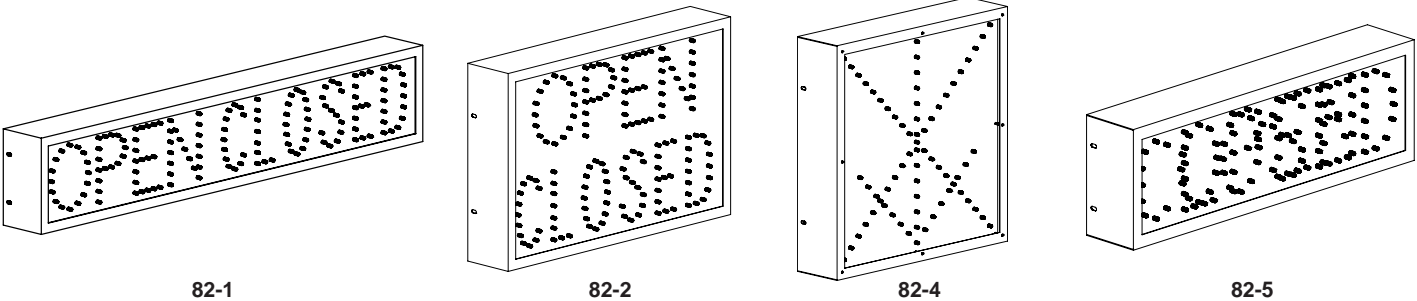
WHY LEDS?

- State-of-the-art technology
- Superior illumination
- Easy to read legends
- Long life
- Zero maintenance
- Low energy
- Enhanced fire safety

WARRANTY

Any component that fails due to manufacturer's defect is guaranteed for 5 years from the time of shipment. Warranty does not cover physical damage, abuse or acts of God.

DIMENSIONS



ORDERING INFORMATION

SERIES	SIZE	COLOR	LEGEND	OPTIONS	SWITCH ORDERING INFO
82 = Direct View	1 = 32.6" x 6" x 3.25"	1 = Bronze	01 = Open/Closed	0 = None	SW1 = 1 Gang Switch
84 = Custom Legend*	2 = 17.9" x 11.6" x 3.25"	2 = Black	02 = ATM Lane	1 = Sun Visor	SW2 = 2 Gang Switch
*Available in diffused only	4 = 14" x 14" x 3.25" (X and ↓ only)	3 = Satin Aluminum	03 = ATM Only	2 = Recessed Mount	SW3 = 3 Gang Switch
	5 = 19.5" x 6.25" x 3.25"		04 = X and ↓	3 = Canopy Kit	SW4 = 4 Gang Switch
			05 = ATM Teller		SW5 = 5 Gang Switch
			06 = X and ↓ (Double Row)		SW6 = 6 Gang Switch
			09 = Commercial		
			13 = ATM Open/Closed Overlay		
			14 = ATM		

Specifications are subject to change without notice

DIRECTIONAL SIGNS



Exitronix is pleased to announce the ultimate in LED sign flexibility. We have devised a simple and effective means to customize your signage needs utilizing LED technology. For years Exitronix has been a leader in LED lighting, now we are offering the ability to take advantage of the latest LED colors and brightness advancements and couple them with your custom signage needs.

Our 84 Series offers an attractive, low-profile weatherproof housing, designed with the extremes of the elements in mind. The 84 Series is the diffused version of our direct-view 82 Series, accomodating any custom message, company logo, or personalized option in any font, size or color to compliment any application.



VISIBILITY/DISTANCE SPECIFICATIONS

Character Height	Maximum Readable Distance
1.5 inches	40 feet
2 inches	65 feet
2.5 inches	80 feet
3 inches	110 feet
4 inches	160 feet
6 inches	225 feet
8 inches	375 feet

Specifications are subject to change without notice

DIRECTIONAL SIGNS

Trace-lite

...industrial & outdoor H.I.D. lighting

Trace-lite is dedicated to designing, engineering, and manufacturing the highest quality lighting products and combining them with unparalleled value.

Our passion for lighting goes back to 1973 when BMC engineered and manufactured printed circuits and lamp components for the graphic arts industry. Our reputation for service, innovative design and premium grade products has made us a manufacturer of choice among the most discriminating of specifiers.

All Trace-lite products are engineered and manufactured for longevity and performance. Every step of manufacturing adheres to stringent quality-control and testing guidelines. Our established national sales network, strategically located warehouses, and the best service professionals in the industry will assure your experiences with us will be a positive one.

At Trace-lite "SERVICE" is not just another expression, SERVICE is what establishes our policies, our procedures, and our culture.



WALLPACKS..... 89

TL101 *Mini Polycarbonate*..... 89
 TL102 *Mini Die-Cast Aluminum*..... 90
 TL103 *Small* 91
 TL104 *Small* 92
 TL106 *Medium*..... 93
 TL106EX *Large* 94
 TL106EXT *Large, Deep*..... 95
 TL108 *Decorative Full Cutoff*..... 96
 TL109 *Decorative Cutoff*..... 97
 TL110 *Architectural Full Cutoff* 98
 TL110EX *Large Architectural Full Cutoff* 99
 TL110EXT *Large, Deep Architectural Full Cutoff*..... 100
 TL110A *Architectural Full Cutoff (EM Ballast Option)*..... 101
 TL111 *Half-Moon Full Cutoff* 102
 TL111A *Half-Moon Full Cutoff (EM Ballast Option)* 103
 TL112 *Quarter-Sphere Full Cutoff*..... 104
 TL113 *Sconce, Semi-Cutoff*..... 105
 TL113EX *Large Sconce, Semi-Cutoff*..... 106
 TL116 *Euro Style*..... 107
 TL117 *Large, Slim* 108
 TL118 *Medium*..... 109
 TL119 *Small Semi-Cutoff*..... 110
 TL119EX *Large Semi-Cutoff*..... 111
 TL120 *Full Cutoff*..... 112
 TL121 *Architectural Full Cutoff (EM Ballast Option)*..... 113
Wallpack Accessories..... 114

FLOODLIGHTING 115

TL201 *Small Compact*..... 115
 TL202 *Medium Compact* 116
 TL203 *Low Profile*..... 117
 TL204 *Large* 118
 TL205 *Sportslighter*..... 119
 TL206 *Architectural, Round Back*..... 120
 TL207 *Compact Quartz*..... 121
Floodlight Accessories..... 122-123

AREA LIGHTING 124

TL301 *Medium*..... 124
 TL302 *Small* 125
 TL303 *Large* 126
 TL304 *Large* 127
 TL305 *Architectural* 128
 TL306 *Small Adjustable*..... 129
 TL306EX *Large Adjustable*..... 130
 TL307 *Small Architectural* 131
 TL307EX *Large Architectural* 132
Area Light Accessories..... 133-134

VANDAL/CANOPY LIGHTING.. 135

TL401 *Small Square*..... 135
 TL402 *Large Square*..... 136
 TL403 *Small Round*..... 137
 TL404 *Large Round*..... 138
 TL405 *Large Square*..... 139
 TL406 *Garage Lighter* 140
 TL407 *Garage Lighter w/Uplight*..... 142
 TL408 *Garage Lighter w/Uplight*..... 142
Vandal/Canopy Accessories..... 143

HIGH/LOW BAY LIGHTING..... 144

TL501 *High Bay, 16" Aluminum Reflector*..... 144
 TL502 *High Bay, 16" Acrylic Reflector*..... 145
 TL503 *High Bay, 22" Acrylic Reflector*..... 146
 TL504 *Low Bay, 16" or 22" Aluminum Reflector*..... 147
 TL505 *Low Bay, 22" Acrylic Reflector*..... 148
 TL506 *Temporary Work Light*..... 149
 TL507 *High Wattage High Bay, 22" Aluminum Reflector*..... 150
 TL508 *Fluorescent High Bay Lighting* 151-152
High Bay/Low Bay Accessories..... 153-154

ROADWAY LIGHTING 155

TL602 *Dusk to Dawn Security Lighting* 155
 TL603 *Small Roadway Light*..... 156
 TL604 *Large Roadway Light*..... 157
Roadway Accessories 158

BOLLARDS..... 159

TL701 *Dome-Top, IES Type 3 & 5 Refractors* 159
 TL702 *Dome-Top, Adjustable Reflector or Internal Louvres*..... 160
 TL703 *Flat-Top, Internal Louvres* 161
Bollard Accessories & Photometrics..... 162

VAPORPROOF..... 163

TL801 *Incandescent Security Lighting* 163
 TL802 *Fluorescent Security Lighting*..... 164
 TL803 *HID Security Lighting*..... 165
Vaporproof Accessories 166

TECHNICAL..... 167

Lamp Information..... 167-168
Outdoor Applications 169
H.I.D. Troubleshooting..... 170-172
Warranty Information..... 173

NEW PRODUCTS

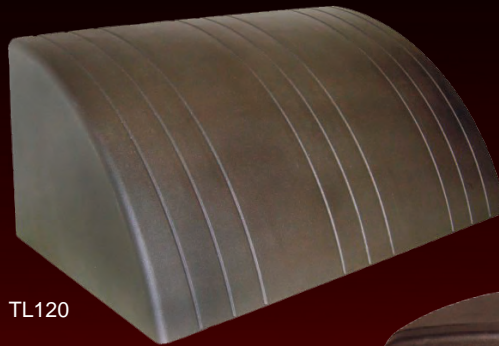
TL119 Die-Cast Semi-Cutoff Aluminum Wallpack	110
TL119EX Large Die-Cast Aluminum Semi-Cutoff Wallpack	111
TL120 Die-Cast Aluminum Full Cutoff Wallpack	112
TL121 Die-Cast Aluminum Full Cutoff Wallpack	113
TL306 Adjustable Area Light	129
TL306EX Large Adjustable Area Light	130
TL307 Architectural Area Light	131
TL307EX Large Architectural Area Light	132
TL408 Garage Lighter.....	142
TL703 Flat-Top Bollard, Internal Louvres	161
TL802 Fluorescent Vaporproof Security Light	165
TL803 HID Vaporproof Security Light	166



TL119



TL408



TL120



TL306



TL802



TL307



TL121



TL306EX



CONSTRUCTION

The Trace-lite TL101 Series features a durable, vandal-resistant, injection molded polycarbonate enclosure with an architectural bronze finish. Enclosure is fully sealed and gasketed, and is Wet Location Listed for outdoor use. Enclosure and hardware are corrosion resistant. The TL101 features an internal, anodized aluminum reflector which provides ideal light distribution, and the lamp(s) are protected by a high-impact, UV stabilized polycarbonate prismatic refractor.

ELECTRONICS

The Trace-lite TL101 Series uses a medium base, glazed porcelain socket pulse rated for 4KV or universal 4 pin socket. The TL101 is provided with a high quality ballast, utilizing Electronic or Reactor type ballasts depending on lamp type and wattage. Available with 120V or 120/277V input (dependant on lamp type).

LAMPS

The Trace-lite TL101 Series is available with Compact Fluorescent (26 to 42 watt) or High Pressure Sodium (35 to 70 watt) lamps to fit any application.

INSTALLATION

The Trace-lite TL101 Series is ideal for mounting to any vertical surface and features a rugged die-cast aluminum mounting plate. Can be wired to a 4" junction box, or surface mounted using the 1/2" NPS conduit entry point.

WARRANTY

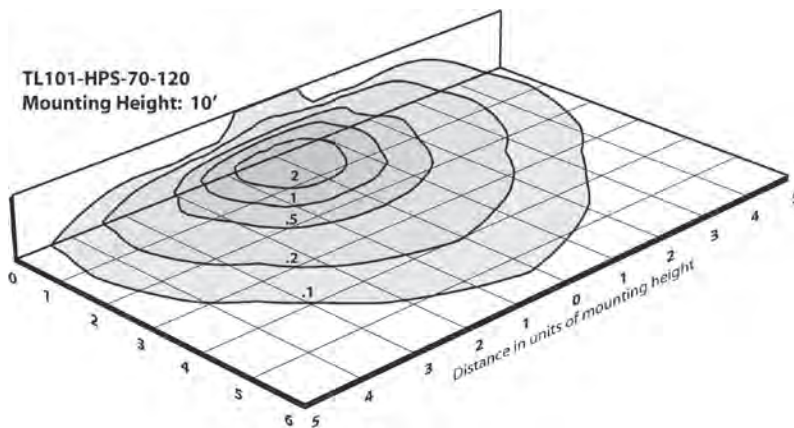
Any housing component that fails due to manufacturer's defect is guaranteed for two years from time of shipment. Ballasts, Capacitors, and Ignitors are warranted for one year from time of shipment. Warranty does not apply to damages caused by improper installation, abuse, fire or acts of God. Lamp is not covered by manufacturer's warranty.



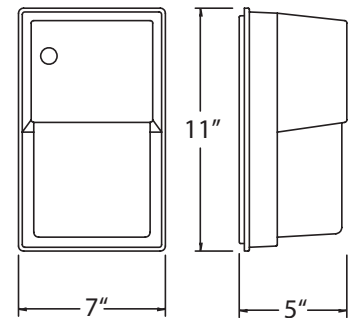
ORDERING INFORMATION (see page 114 for available accessories)

MODEL #	TYPE	WATTS	VOLTS	BALLAST
TL101-PL-26-120/277	PL	26	120/277	ELECTRONIC
TL101-PL-32-120/277	PL	32	120/277	ELECTRONIC
TL101-PL-42-120/277	PL	42	120/277	ELECTRONIC
TL101-HPS-35-120	HPS	35	120	REACTOR NPF
TL101-HPS-50-120	HPS	50	120	REACTOR NPF
TL101-HPS-70-120	HPS	70	120	REACTOR NPF

SAMPLE PHOTOMETRICS



DIMENSIONS



Approximate Weight: 4 lbs.



Specifications are subject to change without notice



CONSTRUCTION

The Trace-lite TL102 Series features a durable, die-cast aluminum enclosure with an architectural bronze powder coated finish. Enclosure is fully sealed and gasketed, and is Wet Location Listed for outdoor use. Enclosure and hardware are corrosion resistant. The TL102 features an internal, anodized aluminum reflector which provides ideal light distribution, and the lamp(s) are protected by a high-impact, heat resistant borosilicate glass refractor.

ELECTRONICS

The Trace-lite TL102 Series uses a medium base, glazed porcelain socket pulse rated for 4KV or universal 4 pin socket. The TL102 is provided with a high quality ballast, utilizing Electronic, High Power Factor, or Reactor type ballasts depending on lamp type and wattage. Available with 120V, 120/277V, or Multi-tap (120/208/240/277V) input (dependant on lamp type and voltage).

LAMPS

The Trace-lite TL102 Series is available with Compact Fluorescent (26 to 42 watt), Metal Halide (50 to 100 watt), or High Pressure Sodium (35 to 150 watt) lamps to fit any application.

INSTALLATION

The Trace-lite TL102 Series is ideal for mounting to any vertical surface and features a rugged die-cast aluminum mounting plate. Can be wired to a 4" junction box, or surface mounted using the 1/2" NPS conduit entry point.

WARRANTY

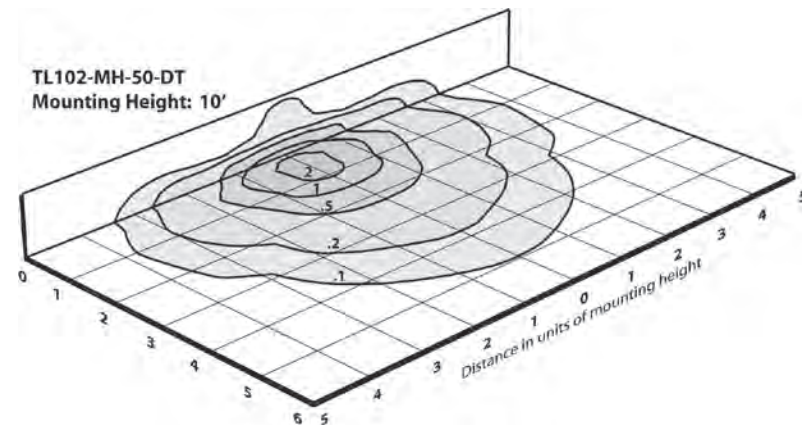
Any housing component that fails due to manufacturer's defect is guaranteed for two years from time of shipment. Ballasts, Capacitors, and Igniters are warranted for one year from time of shipment. Warranty does not apply to damages caused by improper installation, abuse, fire or acts of God. Lamp is not covered by manufacturer's warranty.



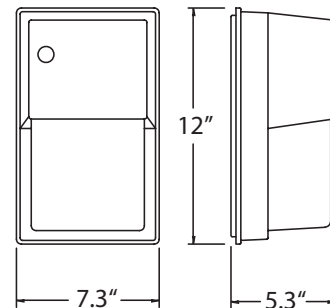
ORDERING INFORMATION (see page 114 for available accessories)

MODEL #	TYPE	WATTS	VOLTS	BALLAST
TL102-PL-26-120/277	PL	26	120/277	ELECTRONIC
TL102-PL-32-120/277	PL	32	120/277	ELECTRONIC
TL102-PL-42-120/277	PL	42	120/277	ELECTRONIC
TL102-MH-50-DT	MH	50	120/277	HX-HPF
TL102-MH-70-MT	MH	70	120/208/240/277	HX-HPF
TL102-MH-100-MT	MH	100	120/208/240/277	HX-HPF
TL102-HPS-35-120	HPS	35	120	REACTOR NPF
TL102-HPS-50-120	HPS	50	120	REACTOR NPF
TL102-HPS-70-120	HPS	70	120	REACTOR NPF
TL102-HPS-100-120	HPS	100	120	REACTOR NPF

SAMPLE PHOTOMETRICS



DIMENSIONS



Approximate Weight: 7 lbs.

WALLPACKS

Specifications are subject to change without notice





CONSTRUCTION

The Trace-lite TL103 Series features a durable, die-cast aluminum enclosure with an architectural bronze powder coated finish. Enclosure is fully sealed and gasketed, and is Wet Location Listed for outdoor use. Enclosure and hardware are corrosion resistant. The TL103 features an internal, anodized aluminum reflector which provides ideal light distribution, and the lamp(s) are protected by a vandal-resistant, UV stabilized polycarbonate prismatic refractor.

ELECTRONICS

The Trace-lite TL103 Series uses a medium base, glazed porcelain socket pulse rated for 4KV or universal 4 pin socket. The TL103 is provided with a high quality ballast, utilizing Electronic, High Power Factor, or Reactor type ballasts depending on lamp type and wattage. Available with 120V, 120/277V, or Multi-tap (120/208/240/277V) input (dependant on lamp type and wattage).

LAMPS

The Trace-lite TL103 Series is available with Compact Fluorescent (26 to 42 watt), Metal Halide (50 to 100 watt), or High Pressure Sodium (35 to 150 watt) lamps to fit any application.

INSTALLATION

The Trace-lite TL103 Series is ideal for mounting to any vertical surface. Can be wired to a 4" junction box, or surface mounted using 1/2" NPS conduit entry points.

WARRANTY

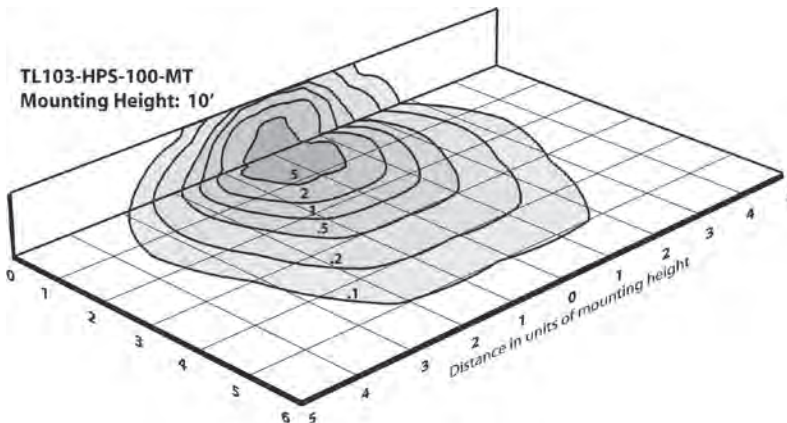
Any housing component that fails due to manufacturer's defect is guaranteed for two years from time of shipment. Ballasts, Capacitors, and Ignitors are warranted for one year from time of shipment. Warranty does not apply to damages caused by improper installation, abuse, fire or acts of God. Lamp is not covered by manufacturer's warranty.



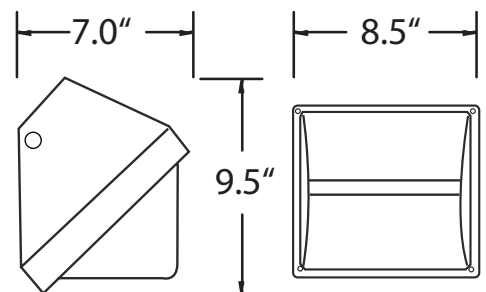
ORDERING INFORMATION (see page 114 for available accessories)

MODEL #	TYPE	WATTS	VOLTS	BALLAST
TL103-PL-26-120/277	PL	26	120/277	ELECTRONIC
TL103-PL-32-120/277	PL	32	120/277	ELECTRONIC
TL103-PL-42-120/277	PL	42	120/277	ELECTRONIC
TL103-MH-50-DT	MH	50	120/277	HX-HPF
TL103-MH-70-MT	MH	70	120/208/240/277	HX-HPF
TL103-MH-100-MT	MH	100	120/208/240/277	HX-HPF
TL103-HPS-35-120	HPS	35	120	REACTOR NPF
TL103-HPS-50-120	HPS	50	120	REACTOR NPF
TL103-HPS-70-120	HPS	70	120	REACTOR NPF
TL103-HPS-100-120	HPS	100	120	REACTOR NPF
TL103-HPS-150-120	HPS	150	120	REACTOR NPF

SAMPLE PHOTOMETRICS



DIMENSIONS



Approximate Weight: 5 lbs.



Specifications are subject to change without notice



CONSTRUCTION

The Trace-lite TL104 Series features a durable, die-cast aluminum enclosure with an architectural bronze powder coated finish. Enclosure is fully sealed and gasketed, and is Wet Location Listed for outdoor use. Enclosure and hardware are corrosion resistant. The TL104 features an internal, anodized aluminum reflector which provides ideal light distribution, and the lamp(s) are protected by a high-impact, heat resistant borosilicate glass refractor.

ELECTRONICS

The Trace-lite TL104 Series uses a medium base, glazed porcelain socket pulse rated for 4KV or universal 4 pin socket. The TL104 is provided with a high quality ballast, utilizing High Power Factor or Reactor type ballasts depending on lamp type and wattage. Available with Dual-tap (120/277V), or Multi-tap (120/208/240/277V) input (dependant on lamp type and wattage).

LAMPS

The Trace-lite TL104 Series is available with Compact Fluorescent (26 to 42 watt), Metal Halide (50 to 100 watt) or High Pressure Sodium (35 to 150 watt) lamps to fit any application.

INSTALLATION

The Trace-lite TL104 Series is ideal for mounting to any vertical surface. Can be wired to a 4" junction box, or surface mounted using 1/2" NPS conduit entry points.

WARRANTY

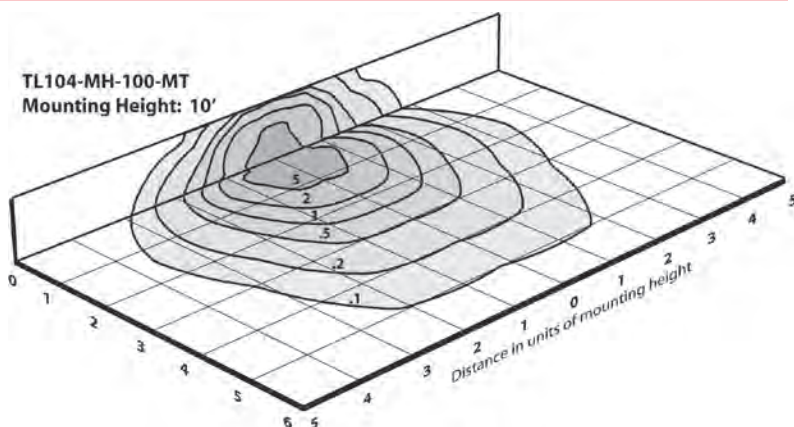
Any housing component that fails due to manufacturer's defect is guaranteed for two years from time of shipment. Ballasts, Capacitors, and Igniters are warranted for one year from time of shipment. Warranty does not apply to damages caused by improper installation, abuse, fire or acts of God. Lamp is not covered by manufacturer's warranty.



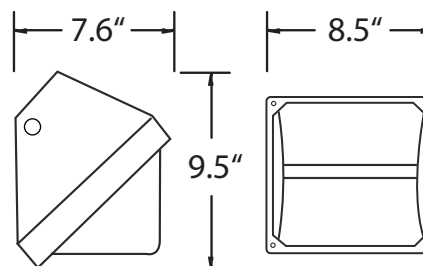
ORDERING INFORMATION (see page 114 for available accessories)

MODEL #	TYPE	WATTS	VOLTS	BALLAST
TL104-PL-26-120/277	PL	26	120/277	ELECTRONIC
TL104-PL-32-120/277	PL	32	120/277	ELECTRONIC
TL104-PL-42-120/277	PL	42	120/277	ELECTRONIC
TL104-MH-50-DT	MH	50	120/277	HX-HPF
TL104-MH-70-MT	MH	70	120/208/240/277	HX-HPF
TL104-MH-100-MT	MH	100	120/208/240/277	HX-HPF
TL104-HPS-35-120	HPS	35	120	REACTOR NPF
TL104-HPS-50-120	HPS	50	120	REACTOR NPF
TL104-HPS-70-120	HPS	70	120	REACTOR NPF
TL104-HPS-100-120	HPS	100	120	REACTOR NPF
TL104-HPS-150-120	HPS	150	120	REACTOR NPF

SAMPLE PHOTOMETRICS



DIMENSIONS



Approximate Weight: 8 lbs.



Specifications are subject to change without notice

WALLPACKS



CONSTRUCTION

The Trace-lite TL106 Series features a durable, die-cast aluminum enclosure with an architectural bronze powder coated finish. Enclosure is fully sealed and gasketed, and is Wet Location Listed for outdoor use. Enclosure and hardware are corrosion resistant. The TL106 features an internal, anodized aluminum reflector which provides ideal light distribution, and the lamp(s) are protected by a high-impact, heat resistant borosilicate glass refractor.

ELECTRONICS

The Trace-lite TL106 Series uses a medium base, glazed porcelain socket pulse rated for 4KV or universal 4 pin socket. The TL106 is provided with a high quality ballast, utilizing Electronic, High Power Factor, Reactor or CWA type ballasts depending on lamp type and wattage. Available with 120V, 120/277V or Multi-tap (120/208/240/277V) input (dependant on lamp type and wattage).

LAMPS

The Trace-lite TL106 Series is available with Compact Fluorescent (13 to 84 watt), Metal Halide (70 to 175 watt), Pulse Start Metal Halide (175 watt) or High Pressure Sodium (70 to 150 watt) lamps to fit any application.

INSTALLATION

The Trace-lite TL106 Series is ideal for mounting to any vertical surface and features a hinged design for easy access to internal components. Can be wired to a 4" junction box, or surface mounted using 1/2" NPS conduit entry points.

WARRANTY

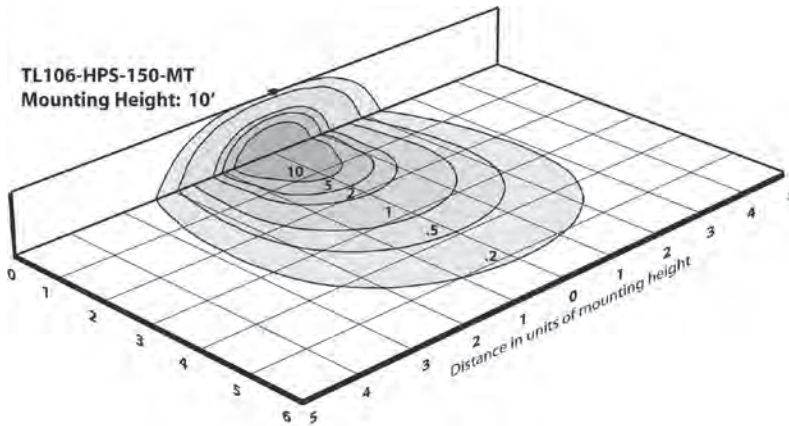
Any housing component that fails due to manufacturer's defect is guaranteed for two years from time of shipment. Ballasts, Capacitors, and Igniters are warranted for one year from time of shipment. Warranty does not apply to damages caused by improper installation, abuse, fire or acts of God. Lamp is not covered by manufacturer's warranty.



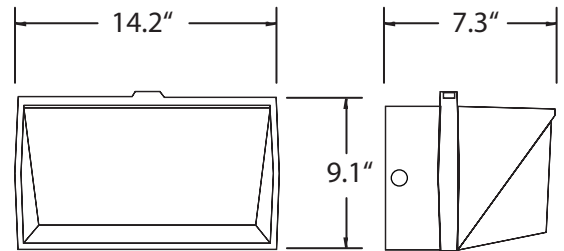
ORDERING INFORMATION (see page 114 for available accessories)

MODEL #	TYPE	WATTS	VOLTS	BALLAST
TL106-PL-13-120/277	PL	13	120/277	ELECTRONIC
TL106-PL-26-120/277	PL	26	120/277	ELECTRONIC
TL106-PL-32-120/277	PL	32	120/277	ELECTRONIC
TL106-PL-42-120/277	PL	42	120/277	ELECTRONIC
TL106-PL-52-120/277	PL	26 x 2	120/277	ELECTRONIC
TL106-PL-64-120/277	PL	32 x 2	120/277	ELECTRONIC
TL106-PL-84-120/277	PL	42 x 2	120/277	ELECTRONIC
TL106-MH-70-MT	MH	70	120/208/240/277	HX-HPF
TL106-MH-100-MT	MH	100	120/208/240/277	HX-HPF
TL106-MH-150-MT	MH	150	120/208/240/277	HX-HPF
TL106-MH-175-MT	MH	175	120/208/240/277	CWA
TL106-PSMH-175-MT	PSMH	175	120/208/240/277	CWA
TL106-HPS-70-120	HPS	70	120	REACTOR NPF
TL106-HPS-100-120	HPS	100	120	REACTOR NPF
TL106-HPS-150-120	HPS	150	120	REACTOR NPF
TL106-HPS-150-MT	HPS	150	120/208/240/277	HX-HPF

SAMPLE PHOTOMETRICS



DIMENSIONS



Approximate Weight: 10 lbs.



Specifications are subject to change without notice

TL106EX LARGE DIE-CAST ALUMINUM WALLPACK



CONSTRUCTION

The Trace-lite TL106EX Series features a durable, die-cast aluminum enclosure with an architectural bronze powder coated finish. Enclosure is fully sealed and gasketed, and is Wet Location Listed for outdoor use. Enclosure and hardware are corrosion resistant. The TL106EX features an internal, anodized aluminum reflector which provides ideal light distribution, and the lamp(s) are protected by a high-impact, heat resistant borosilicate glass refractor.

ELECTRONICS

The Trace-lite TL106EX Series uses a medium base, glazed porcelain socket pulse rated for 4KV. The TL106EX is provided with a high quality CWA type ballast. Available with a Multi-tap (120/208/240/277V) input.

LAMPS

The Trace-lite TL106EX Series is available with Metal Halide (175 or 250 watt), Pulse Start Metal Halide (175 watt) or High Pressure Sodium (150 or 250 watt) lamps to fit any application.

INSTALLATION

The Trace-lite TL106EX Series is ideal for mounting to any vertical surface and features a hinged design for easy access to internal components. Can be wired to a 4" junction box, or surface mounted using 1/2" NPS conduit entry points.

WARRANTY

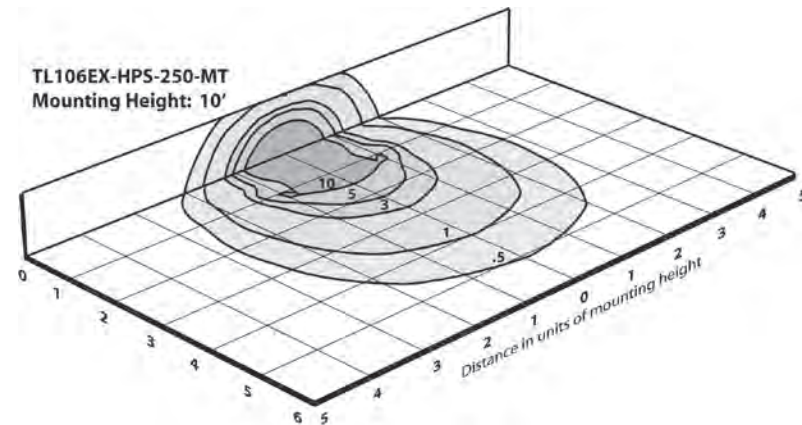
Any housing component that fails due to manufacturer's defect is guaranteed for two years from time of shipment. Ballasts, Capacitors, and Ignitors are warranted for one year from time of shipment. Warranty does not apply to damages caused by improper installation, abuse, fire or acts of God. Lamp is not covered by manufacturer's warranty.



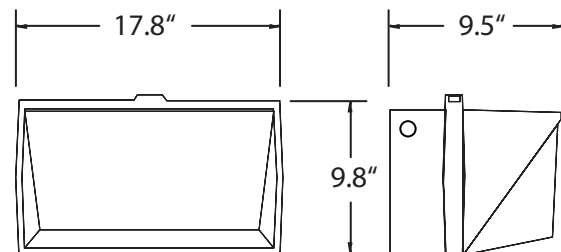
ORDERING INFORMATION (see page 114 for available accessories)

MODEL #	TYPE	WATTS	VOLTS	BALLAST
TL106EX-MH-175-MT	MH	175	120/208/240/277	CWA
TL106EX-MH-250-MT	MH	250	120/208/240/277	CWA
TL106EX-PSMH-250-MT	MH	250	120/208/240/277	CWA
TL106EX-HPS-150-MT	HPS	150	120/208/240/277	CWA
TL106EX-HPS-250-MT	HPS	250	120/208/240/277	CWA

SAMPLE PHOTOMETRICS



DIMENSIONS



Approximate Weight: 16 lbs.

WALLPACKS



Specifications are subject to change without notice



LARGE, DEEP DIE-CAST ALUMINUM WALLPACK **TL106EXT**

CONSTRUCTION

The Trace-lite TL106EXT Series features a durable, die-cast aluminum enclosure with an architectural bronze powder coated finish. Enclosure is fully sealed and gasketed, and is Wet Location Listed for outdoor use. Enclosure and hardware are corrosion resistant. The TL106EXT features an internal, anodized aluminum reflector which provides ideal light distribution, and the lamp(s) are protected by a high-impact, heat resistant borosilicate glass refractor.

ELECTRONICS

The Trace-lite TL106EXT Series uses a medium base, glazed porcelain socket pulse rated for 4KV. The TL106EXT is provided with a high quality CWA type ballast. Available with Multi-tap (120/208/240/277V) input.

LAMPS

The Trace-lite TL106EXT Series is available with Metal Halide (250 or 400 watt), Pulse Start Metal Halide (320 to 400 watt) or High Pressure Sodium (250 or 400 watt) lamps to fit any application.

INSTALLATION

The Trace-lite TL106EXT Series is ideal for mounting to any vertical surface and features a hinged design for easy access to internal components. Can be wired to a 4" junction box, or surface mounted using 1/2" NPS conduit entry points.

WARRANTY

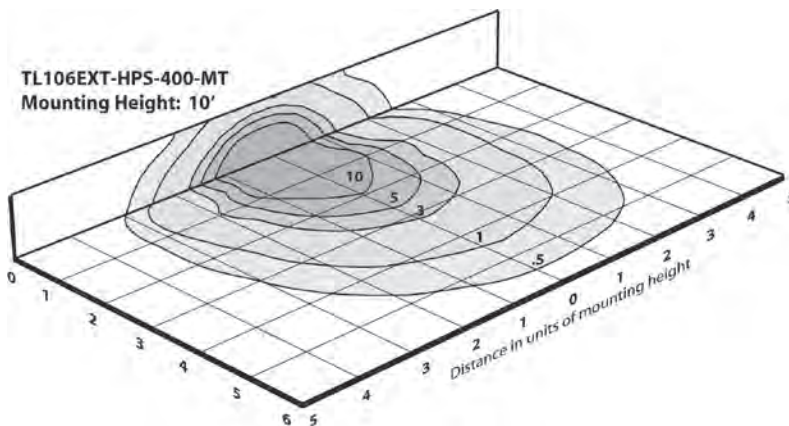
Any housing component that fails due to manufacturer's defect is guaranteed for two years from time of shipment. Ballasts, Capacitors, and Ignitors are warranted for one year from time of shipment. Warranty does not apply to damages caused by improper installation, abuse, fire or acts of God. Lamp is not covered by manufacturer's warranty.



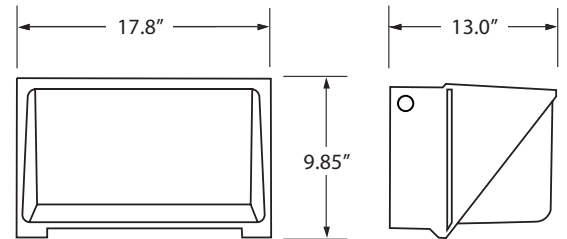
ORDERING INFORMATION (see page 114 for available accessories)

MODEL #	TYPE	WATTS	VOLTS	BALLAST
TL106EXT-MH-250-MT	MH	250	120/208/240/277	CWA
TL106EXT-MH-400-MT	MH	400	120/208/240/277	CWA
TL106EXT-PSMH-320-MT	PSMH	320	120/208/240/277	CWA
TL106EXT-PSMH-350-MT	PSMH	350	120/208/240/277	CWA
TL106EXT-PSMH-400-MT	PSMH	400	120/208/240/277	CWA
TL106EXT-HPS-250-MT	HPS	250	120/208/240/277	CWA
TL106EXT-HPS-400-MT	HPS	400	120/208/240/277	CWA

SAMPLE PHOTOMETRICS



DIMENSIONS



Approximate Weight: 18 lbs.



TL 108 DECORATIVE, FULL CUTOFF DIE-CAST ALUMINUM WALLPACK



CONSTRUCTION

The Trace-lite TL108 Series features a durable, die-cast aluminum enclosure with an architectural bronze powder coated finish. Enclosure is fully sealed and gasketed, and is Wet Location Listed for outdoor use. Enclosure and hardware are corrosion resistant. The TL108 features an internal, anodized aluminum reflector which provides ideal light distribution, and the lamp(s) are protected by a high-impact, heat resistant, tempered glass lens.

ELECTRONICS

The Trace-lite TL108 Series uses a medium base, glazed porcelain socket pulse rated for 4KV or universal 4 pin socket. The TL108 is provided with a high quality ballast, utilizing High Power Factor, Reactor or CWA type ballasts depending on lamp type and wattage. Available with 120V or Multi-tap (120/208/240/277V) input (dependant on lamp type and wattage).

LAMPS

The Trace-lite TL108 Series is available with Compact Fluorescent (42 or 84 watt), Metal Halide (70 to 175 watt), Pulse Start Metal Halide (175 watt) or High Pressure Sodium (70 to 150 watt) lamps to fit any application.

INSTALLATION

The Trace-lite TL108 Series is ideal for mounting to any vertical surface, and features a hinged design for easy access to internal components. Can be wired to a 4" junction box, or surface mounted using 1/2" NPS conduit entry points.

WARRANTY

Any housing component that fails due to manufacturer's defect is guaranteed for two years from time of shipment. Ballasts, Capacitors, and Ignitors are warrantied for one year from time of shipment. Warranty does not apply to damages caused by improper installation, abuse, fire or acts of God. Lamp is not covered by manufacturer's warranty.

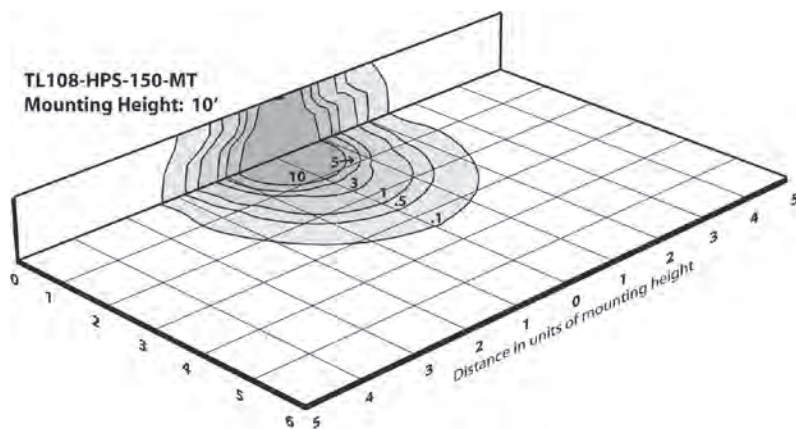


DARKSKY
COMPLIANT

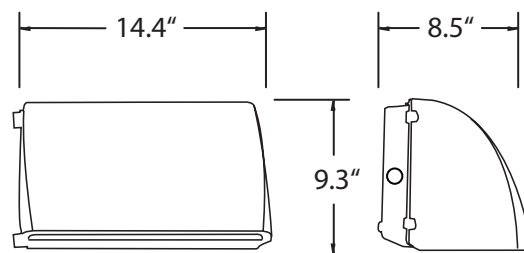
ORDERING INFORMATION (see page 114 for available accessories)

MODEL #	TYPE	WATTS	VOLTS	BALLAST
TL108-PL-42-120/277	PL	42	120/277	MAGNETIC
TL108-PL-84-120/277	PL	42 x 2	120/277	MAGNETIC
TL108-HPS-100-MT	HPS	100	120/208/240/277	HX-HPF
TL108-HPS-150-MT	HPS	150	120/208/240/277	HX-HPF
TL108-MH-100-MT	MH	100	120/208/240/277	HX-HPF
TL108-MH-150-MT	MH	150	120/208/240/277	HX-HPF
TL108-MH-175-MT	MH	175	120/208/240/277	CWA
TL108-PSMH-175-MT	PSMH	175	120/208/240/277	CWA

SAMPLE PHOTOMETRICS



DIMENSIONS



Approximate Weight: 10 lbs.



Specifications are subject to change without notice

WALLPACKS



CONSTRUCTION

The Trace-lite TL109 Series features a durable, die-cast aluminum enclosure with an architectural bronze powder coated finish. Enclosure is fully sealed and gasketed, and is Wet Location Listed for outdoor use. Enclosure and hardware are corrosion resistant. The TL109 features an internal, anodized aluminum reflector which provides ideal light distribution, and the lamp(s) are protected by a high-impact, heat resistant tempered glass lens.

ELECTRONICS

The Trace-lite TL109 Series uses a glazed porcelain socket pulse rated for 4KV or universal 4 pin socket. The TL109 is provided with a high quality ballast, utilizing High Power Factor, Reactor or Magentic type ballasts depending on lamp type and wattage. Available with 120/277V, Dual-tap (120/277) or Multi-tap (120/208/240/277V) input (dependant on lamp type and wattage).

LAMPS

The Trace-lite TL109 Series is available with Compact Fluorescent (26 to 42 watt), Metal Halide (50 to 100 watt) or High Pressure Sodium (50 to 150 watt) lamps to fit any application.

INSTALLATION

The Trace-lite TL109 Series is ideal for mounting to any vertical surface and features a hinged design for easy access to internal components. Can be wired to a 4" junction box, or surface mounted using 1/2" NPS conduit entry points.

WARRANTY

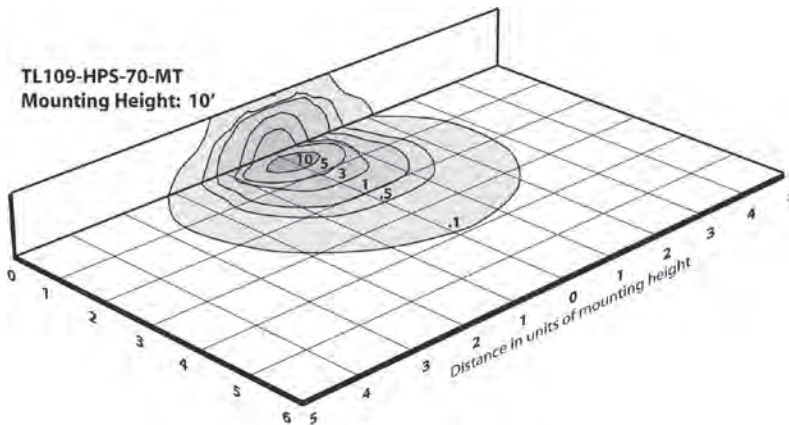
Any housing component that fails due to manufacturer's defect is guaranteed for two years from time of shipment. Ballasts, Capacitors, and Ignitors are warrantied for one year from time of shipment. Warranty does not apply to damages caused by improper installation, abuse, fire or acts of God. Lamp is not covered by manufacturer's warranty.



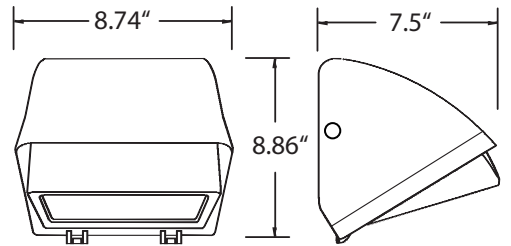
ORDERING INFORMATION (see page 114 for available accessories)

MODEL #	TYPE	WATTS	VOLTS	BALLAST
TL109-PL-26-120/277	PL	26	120/277	MAGNETIC
TL109-PL-32-120/277	PL	32	120/277	MAGNETIC
TL109-PL-42-120/277	PL	42	120/277	MAGNETIC
TL109-HPS-50-MT	HPS	50	120/208/240/277	REACTOR NPF
TL109-HPS-70-MT	HPS	70	120/208/240/277	REACTOR NPF
TL109-HPS-100-MT	HPS	100	120/208/240/277	REACTOR NPF
TL109-HPS-150-MT	HPS	150	120/208/240/277	REACTOR NPF
TL109-MH-50-DT	MH	50	120/277	HX-HPF
TL109-MH-70-DT	MH	70	120/277	HX-HPF
TL109-MH-100-MT	MH	100	120/208/240/277	HX-HPF

SAMPLE PHOTOMETRICS



DIMENSIONS



TL109 Approx. Weight: 8 lbs.



Specifications are subject to change without notice



CONSTRUCTION

The Trace-lite TL110 Series features a durable, die-cast aluminum enclosure with an architectural bronze powder coated finish. Enclosure is fully sealed and gasketed, and is Wet Location Listed for outdoor use. Enclosure and hardware are corrosion resistant. The TL110 features an internal, anodized aluminum reflector which provides ideal light distribution, and the lamp(s) are protected by a high-impact, heat resistant tempered glass lens.

ELECTRONICS

The Trace-lite TL110 Series uses a medium base, glazed porcelain socket pulse rated for 4KV or universal 4 pin socket. The TL110 is provided with a high quality ballast, utilizing Electronic, High Power Factor, Reactor, or CWA type ballasts depending on lamp type and wattage. Available with 120V, 120/277V, or Multi-tap (120/208/240/277V) input.

LAMPS

The Trace-lite TL110 Series is available with Compact Fluorescent (26 to 84 watt), Metal Halide (50 to 175 watt), Pulse Start Metal Halide (175 watt) or High Pressure Sodium (50 to 150 watt) lamps to fit any application.

INSTALLATION

The Trace-lite TL110 Series is ideal for mounting to any vertical surface and features a hinged design for easy access to internal components. Can be wired to a 4" junction box, or surface mounted using 1/2" NPS conduit entry points.

WARRANTY

Any housing component that fails due to manufacturer's defect is guaranteed for two years from time of shipment. Ballasts, Capacitors, and Igniters are warranted for one year from time of shipment. Warranty does not apply to damages caused by improper installation, abuse, fire or acts of God. Lamp is not covered by manufacturer's warranty.

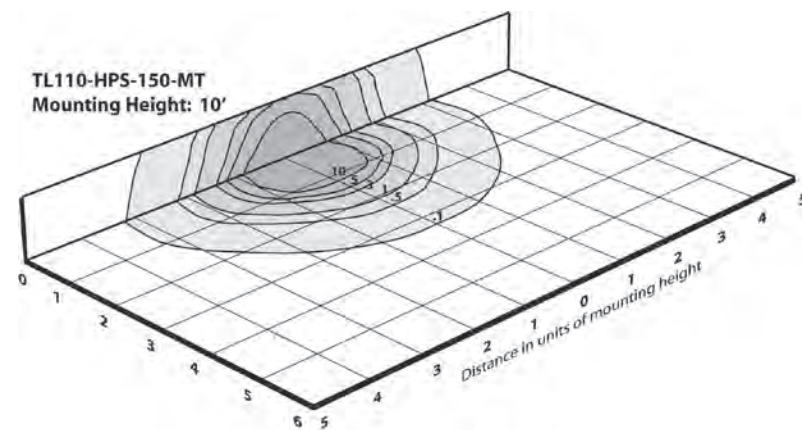


DARKSKY
COMPLIANT

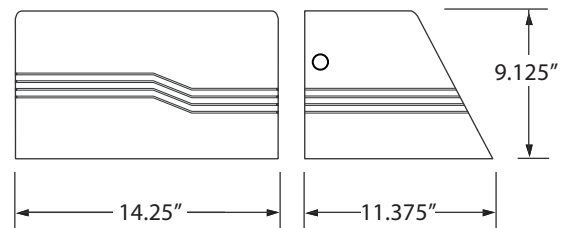
ORDERING INFORMATION (see page 114 for available accessories)

MODEL #	TYPE	WATTS	VOLTS	BALLAST
TL110-PL-26-120/277	PL	26	120/277	ELECTRONIC
TL110-PL-52-120/277	PL	26 x 2	120/277	ELECTRONIC
TL110-PL-32-120/277	PL	32	120/277	ELECTRONIC
TL110-PL-64-120/277	PL	32 x 2	120/277	ELECTRONIC
TL110-PL-42-120/277	PL	42	120/277	ELECTRONIC
TL110-PL-84-120/277	PL	42 x 2	120/277	ELECTRONIC
TL110-MH-50-MT	MH	50	120/208/240/277	HX-HPF
TL110-MH-70-MT	MH	70	120/208/240/277	HX-HPF
TL110-MH-100-MT	MH	100	120/208/240/277	HX-HPF
TL110-MH-150-MT	MH	150	120/208/240/277	HX-HPF
TL110-MH-175-MT	MH	175	120/208/240/277	CWA
TL110-PSMH-175-MT	PSMH	175	120/208/240/277	CWA
TL110-HPS-70-120	HPS	50	120	REACTOR NPF
TL110-HPS-100-120	HPS	70	120	REACTOR NPF
TL110-HPS-150-120	HPS	100	120	REACTOR NPF
TL110-HPS-150-MT	HPS	150	120/208/240/277	HX-HPF

SAMPLE PHOTOMETRICS



DIMENSIONS



TL110 Approx. Weight: 12 lbs.



Specifications are subject to change without notice

WALLPACKS



LARGE ARCHITECTURAL, FULL CUTOFF, DIE-CAST WALLPACK **TL 110EX**

CONSTRUCTION

The Trace-lite TL110EX Series features a durable, die-cast aluminum enclosure with an architectural bronze powder coated finish. Enclosure is fully sealed and gasketed, and is Wet Location Listed for outdoor use. Enclosure and hardware are corrosion resistant. The TL110EX features an internal, anodized aluminum reflector which provides ideal light distribution, and the lamp(s) are protected by a high-impact, heat resistant tempered glass lens.

ELECTRONICS

The Trace-lite TL110EX Series uses a medium base, glazed porcelain socket pulse rated for 4KV. The TL110EX is provided with a high quality CWA type ballast. Available with Multi-tap (120/208/240/277V) input.

LAMPS

The Trace-lite TL110EX Series is available with Metal Halide (250 watt), Pulse Start Metal Halide (250 watt) or High Pressure Sodium (250 watt) lamps to fit any application.

INSTALLATION

The Trace-lite TL110EX Series is ideal for mounting to any vertical surface and features a hinged design for easy access to internal components. Can be wired to a 4" junction box, or surface mounted using 1/2" NPS conduit entry points.

WARRANTY

Any housing component that fails due to manufacturer's defect is guaranteed for two years from time of shipment. Ballasts, Capacitors, and Ignitors are warranted for one year from time of shipment. Warranty does not apply to damages caused by improper installation, abuse, fire or acts of God. Lamp is not covered by manufacturer's warranty.

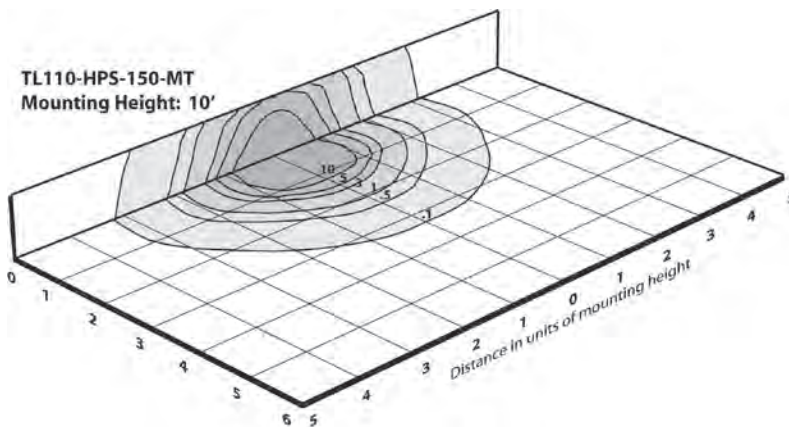


DARKSKY
COMPLIANT

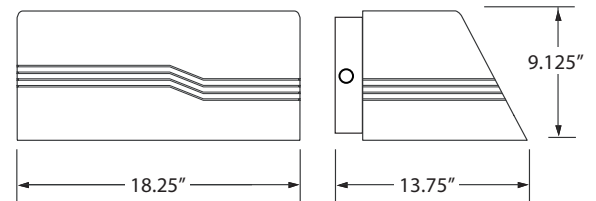
ORDERING INFORMATION (see page 114 for available accessories)

MODEL #	TYPE	WATTS	VOLTS	BALLAST
TL110EX-MH-250-MT	MH	250	120/208/240/277	CWA
TL110EX-PSMH-250-MT	PSMH	250	120/208/240/277	CWA
TL110EX-HPS-250-MT	HPS	250	120/208/240/277	CWA

SAMPLE PHOTOMETRICS



DIMENSIONS



TL110EX Approx. Weight: 16 lbs.



WALLPACKS

Specifications are subject to change without notice

TL110EXT LARGE, DEEP ARCHITECTURAL, FULL CUTOFF DIE-CAST WALLPACK



CONSTRUCTION

The Trace-lite TL110EXT Series features a durable, die-cast aluminum enclosure with an architectural bronze powder coated finish. Enclosure is fully sealed and gasketed, and is Wet Location Listed for outdoor use. Enclosure and hardware are corrosion resistant. The TL110EXT features an internal, anodized aluminum reflector which provides ideal light distribution, and the lamp(s) are protected by a high-impact, heat resistant tempered glass lens.

ELECTRONICS

The Trace-lite TL110EXT Series uses a medium base, glazed porcelain socket pulse rated for 4KV or universal 4 pin socket. The TL110EXT is provided with a high quality CWA type ballast. Available with Multi-tap (120/208/240/277V) input.

LAMPS

The Trace-lite TL110EXT Series is available with Metal Halide (250 or 400 watt), Pulse Start Metal Halide (320 to 400 watt) or High Pressure Sodium (250 or 400 watt) lamps to fit any application.

INSTALLATION

The Trace-lite TL110EXT Series is ideal for mounting to any vertical surface and features a hinged design for easy access to internal components. Can be wired to a 4" junction box, or surface mounted using 1/2" NPS conduit entry points.

WARRANTY

Any housing component that fails due to manufacturer's defect is guaranteed for two years from time of shipment. Ballasts, Capacitors, and Ignitors are warranted for one year from time of shipment. Warranty does not apply to damages caused by improper installation, abuse, fire or acts of God. Lamp is not covered by manufacturer's warranty.

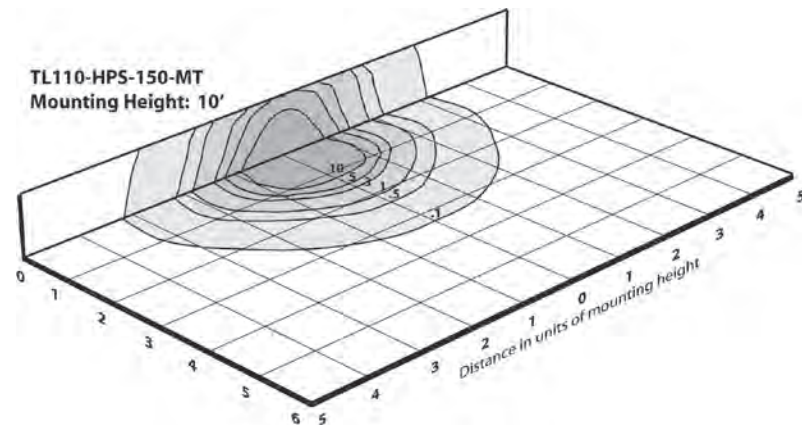


DARKSKY
COMPLIANT

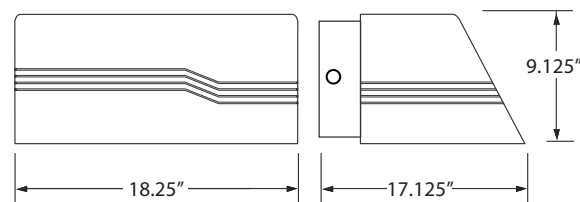
ORDERING INFORMATION (see page 114 for available accessories)

MODEL #	TYPE	WATTS	VOLTS	BALLAST
TL110EXT-MH-250-MT	MH	250	120/208/240/277	CWA
TL110EXT-MH-400-MT	MH	400	120/208/240/277	CWA
TL110EXT-PSMH-320-MT	PSMH	320	120/208/240/277	CWA
TL110EXT-PSMH-350-MT	PSMH	350	120/208/240/277	CWA
TL110EXT-PSMH-400-MT	PSMH	400	120/208/240/277	CWA
TL110EXT-HPS-250-MT	HPS	250	120/208/240/277	CWA
TL110EXT-HPS-400-MT	HPS	400	120/208/240/277	CWA

SAMPLE PHOTOMETRICS



DIMENSIONS



TL110EX Approx. Weight: 19 lbs.



Specifications are subject to change without notice

WALLPACKS



ARCHITECTURAL, FULL CUTOFF, DIE-CAST ALUMINUM WALLPACK **TL 110A**

CONSTRUCTION

The Trace-lite TL110A Series features a durable, die-cast aluminum enclosure with an architectural bronze powder coated finish. Enclosure is fully sealed and gasketed, and is Wet Location Listed for outdoor use. Enclosure and hardware are corrosion resistant. The TL110A features an internal, anodized aluminum "wide throw" reflector which provides ideal light distribution. An optional "forward throw" reflector is also available. The lamp(s) are protected by a high-impact, heat resistant tempered glass lens.

ELECTRONICS

The Trace-lite TL110A Series uses a medium base, glazed porcelain socket pulse rated for 4KV or universal 4 pin socket. The TL110A is provided with a high quality ballast, utilizing Electronic, High Power Factor, Reactor, or CWA type ballasts depending on lamp type and wattage. Available with 120V, 120/277V, or Multi-tap (120/208/240/277V) input.

INSTALLATION

The Trace-lite TL110A Series is ideal for mounting to any vertical surface and features a hinged design for easy access to internal components. Can be surface mounted and wired to a 4" junction box.

WARRANTY

Any housing component that fails due to manufacturer's defect is guaranteed for two years from time of shipment. Ballasts, Capacitors, and Igniters are warranted for one year from time of shipment. Warranty does not apply to damages caused by improper installation, abuse, fire or acts of God. Lamp is not covered by manufacturer's warranty.

"EM" EMERGENCY BALLAST OPTION

The Trace-lite TL110A Series is available with an optional Emergency Ballast, to provide emergency egress lighting when AC power fails. The "EM" emergency ballast option will provide 750 lumens of battery back-up for a full 90 minutes. The 750 lumen emergency ballast is integrated in the enclosure and is pre-wired at the factory to 277VAC unless specified otherwise.

Emergency Battery Backup option available on Compact Fluorescent units!



DARKSKY
COMPLIANT

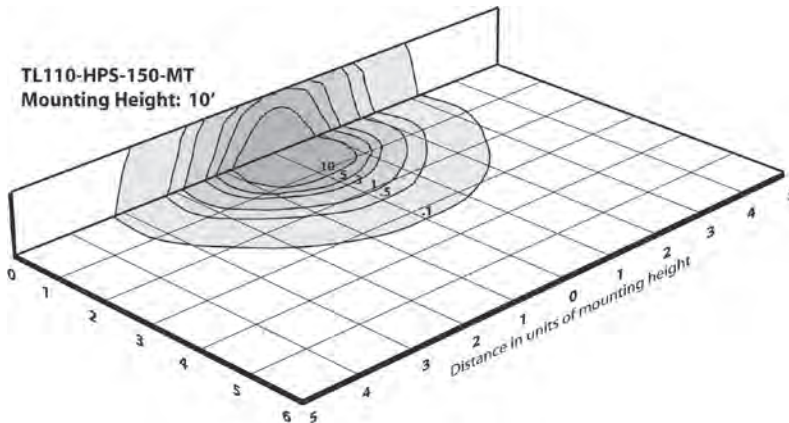
LAMPS

The Trace-lite TL110A Series is available with Compact Fluorescent (26 to 84 watt), Metal Halide (70 to 175 watt), Pulse Start Metal Halide (175 watt) or High Pressure Sodium (50 to 150 watt) lamps to fit any application.

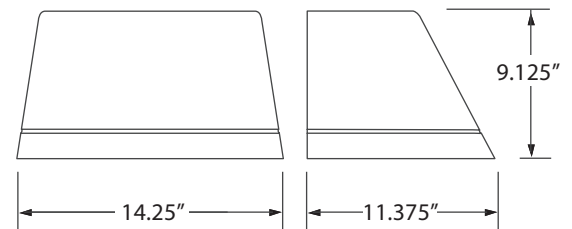
ORDERING INFORMATION (see page 114 for available accessories)

MODEL #	TYPE	WATTS	VOLTS	BALLAST
TL110A-PL-26-120/277	PL	26	120/277	ELECTRONIC
TL110A-PL-52-120/277	PL	26 x 2	120/277	ELECTRONIC
TL110A-PL-42-120/277	PL	42	120/277	ELECTRONIC
TL110A-PL-84-120/277	PL	42 x 2	120/277	ELECTRONIC
TL110A-MH-70-MT	MH	70	120/208/240/277	HX-HPF
TL110A-MH-100-MT	MH	100	120/208/240/277	HX-HPF
TL110A-MH-150-MT	MH	150	120/208/240/277	HX-HPF
TL110A-MH-175-MT	MH	175	120/208/240/277	CWA
TL110A-PSMH-175-MT	PSMH	175	120/208/240/277	CWA
TL110A-HPS-70-120	HPS	50	120	REACTOR NPF
TL110A-HPS-100-120	HPS	70	120	REACTOR NPF
TL110A-HPS-150-120	HPS	100	120	REACTOR NPF
TL110A-HPS-150-MT	HPS	150	120/208/240/277	HX-HPF

SAMPLE PHOTOMETRICS



DIMENSIONS



TL110A Approx. Weight: 12 lbs.



Specifications are subject to change without notice



CONSTRUCTION

The Trace-lite TL111 Series features a durable, die-cast aluminum enclosure with an architectural bronze powder coated finish (consult factory for optional white and black finishes). Enclosure is fully sealed and gasketed, and is Wet Location Listed for outdoor use. Enclosure and hardware are corrosion resistant. The TL111 features an internal, anodized aluminum reflector which provides ideal light distribution, and the lamp(s) are protected by a high-impact, heat resistant tempered glass lens. Available with optional "Up/Down" reflector configuration (not Darksky compliant).

LAMPS

The TL111 Series is available with Compact Fluorescent (26 to 84 watt), Metal Halide (50 to 175 watt), Pulse Start Metal Halide (175 watt) or High Pressure Sodium (35 to 150 watt) lamps to fit any application.

INSTALLATION

The TL111 Series is ideal for mounting to any vertical surface and features a rugged, die-cast aluminum mounting plate. Can be surface mounted and wired to a 4" junction box.

WARRANTY

Any housing component that fails due to manufacturer's defect is guaranteed for two years from time of shipment. Ballasts, Capacitors, and Ignitors are warranted for one year from time of shipment. Warranty does not apply to damages caused by improper installation, abuse, fire or acts of God. Lamp is not covered by manufacturer's warranty.

ELECTRONICS

TL111 Series uses a glazed porcelain socket pulse rated for 4KV or universal 4 pin socket. The TL111 is provided with a high quality ballast, utilizing Electronic, High Power Factor, CWA or Reactor type ballasts depending on lamp type and wattage. Available with 120V, 120/277V, or Multi-tap (120/208/240/277V) input.



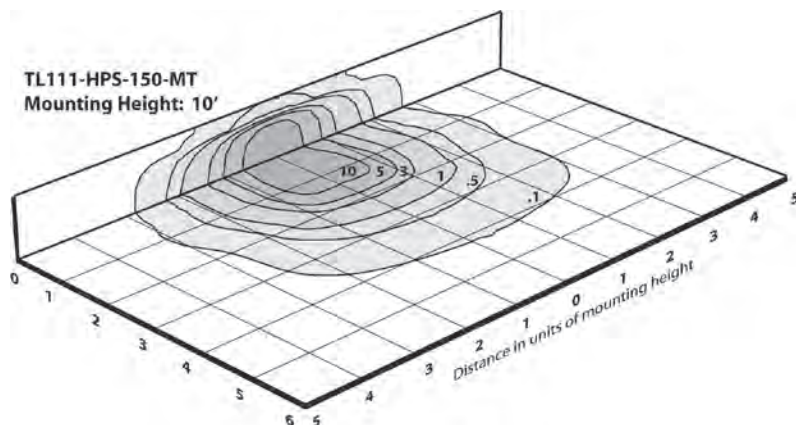
ORDERING INFORMATION (see page 114 for available accessories)

MODEL #	TYPE	WATTS	VOLTS	BALLAST
TL111-PL-26-120/277	PL	26	120/277	ELECTRONIC
TL111-PL-52-120/277-UD*	PL	26 x 2	120/277	ELECTRONIC
TL111-PL-32-120/277	PL	32	120/277	ELECTRONIC
TL111-PL-64-120/277-UD*	PL	32 x 2	120/277	ELECTRONIC
TL111-PL-42-120/277	PL	42	120/277	ELECTRONIC
TL111-PL-84-120/277-UD*	PL	42 x 2	120/277	ELECTRONIC
TL111-MH-50-DT	MH	50	120/277	HX-HPF
TL111-MH-70-MT	MH	70	120/208/240/277	HX-HPF
TL111-MH-100-MT	MH	100	120/208/240/277	HX-HPF
TL111-MH-150-MT	MH	150	120/208/240/277	HX-HPF
TL111-MH-175-MT	MH	175	120/208/240/277	CWA
TL111-PSMH-175-MT	PSMH	175	120/208/240/277	CWA
TL111-HPS-35-120	HPS	35	120	REACTOR NPF
TL111-HPS-50-120	HPS	50	120	REACTOR NPF
TL111-HPS-70-120	HPS	70	120	REACTOR NPF
TL111-HPS-100-120	HPS	100	120	REACTOR NPF
TL111-HPS-150-120	HPS	150	120	REACTOR NPF
TL111-HPS-150-MT	HPS	150	120/208/240/277	HX-HPF

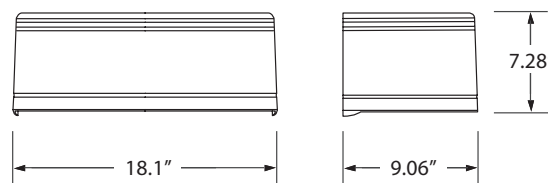
ADD "UD" SUFFIX FOR OPTIONAL "UP/DOWN" REFLECTOR

** Only available with Up/Down light (Not Darksky Compliant)*

SAMPLE PHOTOMETRICS



DIMENSIONS



Approximate Weight: 14 lbs.



Specifications are subject to change without notice

WALLPACKS



ARCHITECTURAL HALF-MOON, FULL CUTOFF DIE-CAST WALLPACK **TL111A**

CONSTRUCTION

The Trace-lite TL111A Series features a durable, die-cast aluminum enclosure with an architectural bronze powder coated finish (consult factory for optional white and black finishes). Enclosure is fully sealed and gasketed, and is Wet Location Listed for outdoor use. Enclosure and hardware are corrosion resistant. The TL111A features an internal, anodized aluminum "wide throw" reflector which provides ideal light distribution. An optional "forward throw" reflector is also available. The lamp(s) are protected by a high-impact, heat resistant tempered glass lens. Available with optional "Up/Down" reflector configuration (not Darksky compliant).

ELECTRONICS

TL111A Series uses a glazed porcelain socket pulse rated for 4KV or universal 4 pin socket. The TL111A is provided with a high quality ballast, utilizing Electronic, High Power Factor, CWA or Reactor type ballasts depending on lamp type and wattage. Available with 120V, 120/277V, or Multi-tap (120/208/240/277V) input.

LAMPS

The TL111A Series is available with Compact Fluorescent (26 to 84 watt), Metal Halide (50 to 175 watt), Pulse Start Metal Halide (175 watt) or High Pressure Sodium (35 to 150 watt) lamps to fit any application.

INSTALLATION

The TL111A Series is ideal for mounting to any vertical surface and features a rugged, die-cast aluminum mounting plate. Can be surface mounted and wired to a 4" junction box.

WARRANTY

Any housing component that fails due to manufacturer's defect is guaranteed for two years from time of shipment. Ballasts, Capacitors, and Igniters are warrantied for one year from time of shipment. Warranty does not apply to damages caused by improper installation, abuse, fire or acts of God. Lamp is not covered by manufacturer's warranty.

"EM" EMERGENCY BALLAST OPTION

The Trace-lite TL111A Series is available with an optional integral Emergency Ballast, to provide emergency egress lighting when AC power fails. The "EM" emergency ballast option will provide 750 lumens of battery back-up for a full 90 minutes. The 750 lumen emergency ballast is integrated in the enclosure and is pre-wired at the factory to 277VAC unless specified otherwise.



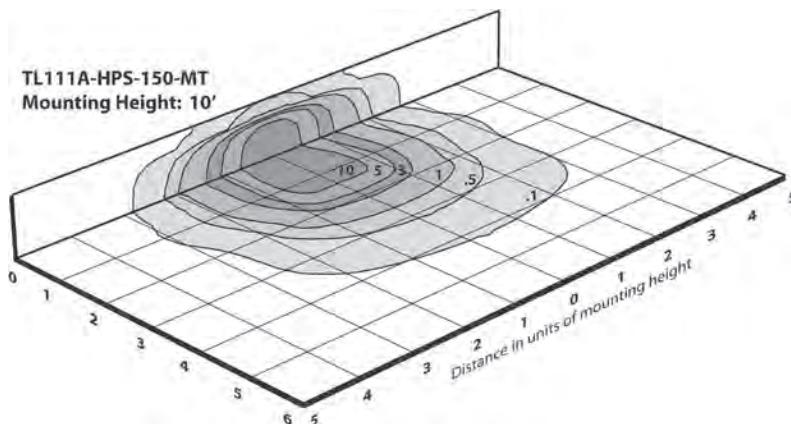
Emergency Battery Backup option available on Compact Fluorescent units!

ORDERING INFORMATION (see page 114 for available accessories)

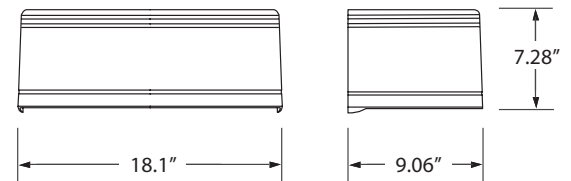
MODEL #	TYPE	WATTS	VOLTS	BALLAST
TL111A-PL-26-120/277	PL	26	120/277	ELECTRONIC
TL111A-PL-52-120/277*	PL	26 x 2	120/277	ELECTRONIC
TL111A-PL-32-120/277	PL	32	120/277	ELECTRONIC
TL111A-PL-64-120/277*	PL	32 x 64	120/277	ELECTRONIC
TL111A-PL-42-120/277	PL	42	120/277	ELECTRONIC
TL111A-PL-84-120/277*	PL	42 x 2	120/277	ELECTRONIC
TL111A-MH-50-DT	MH	50	120/277	HX-HPF
TL111A-MH-70-MT	MH	70	120/208/240/277	HX-HPF
TL111A-MH-100-MT	MH	100	120/208/240/277	HX-HPF
TL111A-MH-150-MT	MH	150	120/208/240/277	HX-HPF
TL111A-MH-175-MT	MH	175	120/208/240/277	CWA
TL111A-PSMH-175-MT	PSMH	175	120/208/240/277	CWA
TL111A-HPS-35-120	HPS	35	120	REACTOR NPF
TL111A-HPS-50-120	HPS	50	120	REACTOR NPF
TL111A-HPS-70-120	HPS	70	120	REACTOR NPF
TL111A-HPS-100-120	HPS	100	120	REACTOR NPF
TL111A-HPS-150-120	HPS	150	120	REACTOR NPF
TL111A-HPS-150-MT	HPS	150	120/208/240/277	HX-HPF

ADD "UD" SUFFIX FOR OPTIONAL "UP/DOWN" REFLECTOR (NOT DARKSKY COMPLIANT)
 * TWO LAMP PL UNITS AVAILABLE AS DOWNLIGHT ONLY

SAMPLE PHOTOMETRICS



DIMENSIONS



Approximate Weight: 14 lbs.



Specifications are subject to change without notice

TL 112 ARCHITECTURAL QUARTER-SPHERE, FULL CUTOFF, DIE-CAST WALLPACK



CONSTRUCTION

The Trace-lite TL112 Series features a durable, die-cast aluminum enclosure with an architectural bronze powder coated finish. Enclosure is fully sealed and gasketed, and is Wet Location Listed for outdoor use. Enclosure and hardware are corrosion resistant. The TL112 features an internal, anodized aluminum "wide throw" reflector which provides ideal light distribution. An optional "forward throw" reflector is also available. The lamp(s) are protected by a high-impact, heat resistant tempered glass lens.

ELECTRONICS

The Trace-lite TL112 Series uses a glazed porcelain socket pulse rated for 4KV or universal 4 pin socket. The TL112 is provided with a high quality ballast, utilizing a High Power Factor, CWA, Reactor or Electronic type ballast depending on lamp type and wattage. Available with 120V, 120/277V or Multi-tap (120/208/240/277V) input.

LAMPS

The Trace-lite TL112 Series is available with Compact Fluorescent (26 to 84 watt), Metal Halide (100 or 175 watt), Pulse Start Metal Halide (175 watt) or High Pressure Sodium (100 or 150 watt) lamps to fit any application.

INSTALLATION

The Trace-lite TL112 Series is ideal for mounting to any vertical surface and features a rugged, die-cast aluminum mounting plate. Can be surface mounted and wired to a 4" junction box.

WARRANTY

Any housing component that fails due to manufacturer's defect is guaranteed for two years from time of shipment. Ballasts, Capacitors, and Igniters are warranted for one year from time of shipment. Warranty does not apply to damages caused by improper installation, abuse, fire or acts of God. Lamp is not covered by manufacturer's warranty.

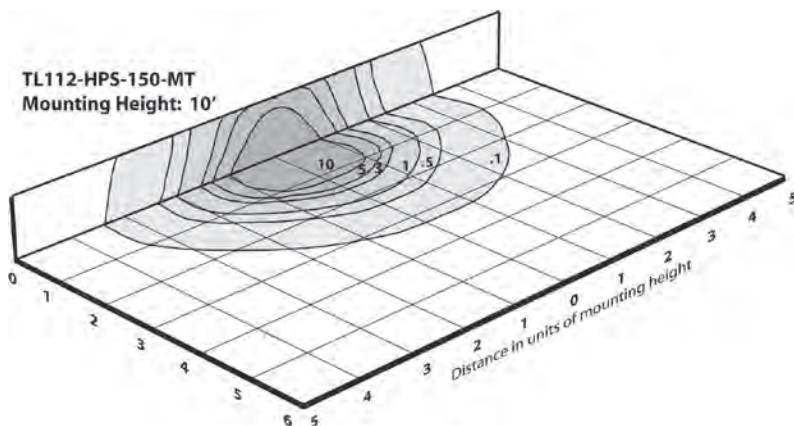


DARKSKY
COMPLIANT

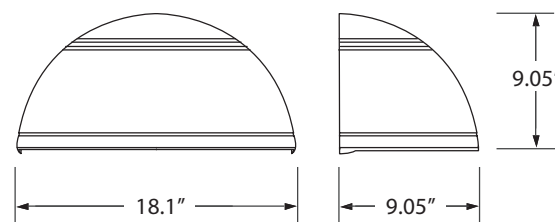
ORDERING INFORMATION (see page 114 for available accessories)

MODEL #	TYPE	WATTS	VOLTS	BALLAST
TL112-PL-26-120/277	PL	26	120/277	ELECTRONIC
TL112-PL-52-120/277	PL	26 x 2	120/277	ELECTRONIC
TL112-PL-32-120/277	PL	32	120/277	ELECTRONIC
TL112-PL-64-120/277	PL	32 x 2	120/277	ELECTRONIC
TL112-PL-42-120/277	PL	42	120/277	ELECTRONIC
TL112-PL-84-120/277	PL	42 x 2	120/277	ELECTRONIC
TL112-MH-100-MT	MH	100	120/208/240/277	HX-HPF
TL112-MH-150-MT	MH	150	120/208/240/277	HX-HPF
TL112-MH-175-MT	MH	175	120/208/240/277	HX-HPF
TL112-PSMH-175-MT	PSMH	175	120/208/240/277	CWA
TL112-HPS-100-120	HPS	100	120	REACTOR NPF
TL112-HPS-150-120	HPS	150	120	REACTOR NPF

SAMPLE PHOTOMETRICS



DIMENSIONS



Approximate Weight: 13 lbs.



Specifications are subject to change without notice

WALLPACKS



SCONCE, SEMI-CUTOFF, DIE-CAST ALUMINUM WALLPACK TL 113

CONSTRUCTION

The Trace-lite TL113 Series features a durable, die-cast aluminum enclosure with an architectural bronze powder coated finish. Enclosure is fully sealed and gasketed, and is Wet Location Listed for outdoor use. Enclosure and hardware are corrosion resistant. The TL113 features an internal, anodized aluminum reflector which provides ideal light distribution, and the lamp(s) are protected by a high-impact, heat resistant tempered glass prismatic refractor.

ELECTRONICS

The Trace-lite TL113 Series uses a glazed porcelain socket pulse rated for 4KV. The TL113 is provided with a high quality ballast, utilizing a High Power Factor or Reactor type ballast depending on lamp type and wattage. Available with 120V or Multi-tap (120/208/240/277V) input (dependant on lamp type and wattage).

LAMPS

The Trace-lite TL113 Series is available with Metal Halide or High Pressure Sodium (100 to 175 watt) lamps to fit any application.

INSTALLATION

The Trace-lite TL113 Series is ideal for mounting to any vertical surface and features a hinged design for easy access to internal components. Can be wired to a 4" junction box, or surface mounted using 1/2" NPS conduit entry points.

WARRANTY

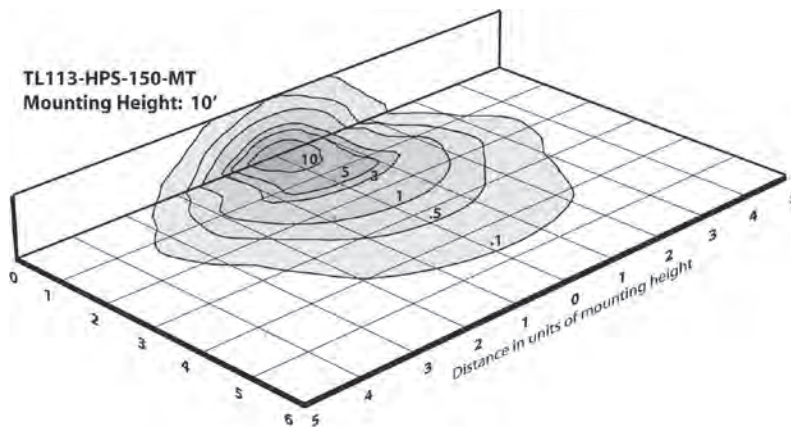
Any housing component that fails due to manufacturer's defect is guaranteed for two years from time of shipment. Ballasts, Capacitors, and Igniters are warrantied for one year from time of shipment. Warranty does not apply to damages caused by improper installation, abuse, fire or acts of God. Lamp is not covered by manufacturer's warranty.



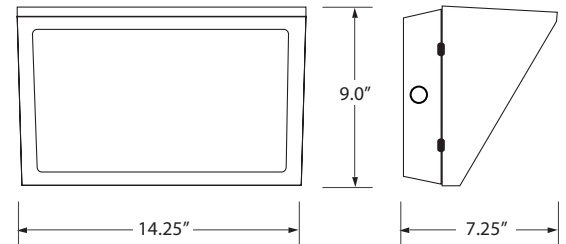
ORDERING INFORMATION (see page 114 for available accessories)

MODEL #	TYPE	WATTS	VOLTS	BALLAST
TL113-MH-100-MT	MH	100	120/208/240/277	HX-HPF
TL113-MH-150-MT	MH	150	120/208/240/277	HX-HPF
TL113-MH-175-MT	MH	175	120/208/240/277	HX-HPF
TL113-HPS-100-120	HPS	100	120	REACTOR NPF
TL113-HPS-100-MT	HPS	100	120/208/240/277	HX-HPF
TL113-HPS-150-120	HPS	150	120	REACTOR NPF
TL113-HPS-150-MT	HPS	150	120/208/240/277	HX-HPF

SAMPLE PHOTOMETRICS



DIMENSIONS



Approximate Weight: 14 lbs.



Specifications are subject to change without notice

TL 113EX LARGE SCONCE, SEMI-CUTOFF DIE-CAST ALUMINUM WALLPACK



CONSTRUCTION

The Trace-lite TL113EX Series features a durable, die-cast aluminum enclosure with an architectural bronze powder coated finish. Enclosure is fully sealed and gasketed, and is Wet Location Listed for outdoor use. Enclosure and hardware are corrosion resistant. The TL113EX features an internal, anodized aluminum reflector which provides ideal light distribution, and the lamp(s) are protected by a high-impact, heat resistant tempered glass prismatic refractor.

ELECTRONICS

The Trace-lite TL113EX Series uses a glazed porcelain socket pulse rated for 4KV. The TL113EX is provided with a high quality ballast, utilizing a High Power Factor or Reactor type ballast depending on lamp type and wattage. Available with 120V or Multi-tap (120/208/240/277V) input (dependant on lamp type and wattage).

LAMPS

The Trace-lite TL113EX Series is available with Metal Halide (250 or 400 watt), or High Pressure Sodium (250 or 400 watt) lamps to fit any application.

INSTALLATION

The Trace-lite TL113EX Series is ideal for mounting to any vertical surface and features a hinged design for easy access to internal components. Can be wired to a 4" junction box, or surface mounted using 1/2" NPS conduit entry points.

WARRANTY

Any housing component that fails due to manufacturer's defect is guaranteed for two years from time of shipment. Ballasts, Capacitors, and Ignitors are warranted for one year from time of shipment. Warranty does not apply to damages caused by improper installation, abuse, fire or acts of God. Lamp is not covered by manufacturer's warranty.

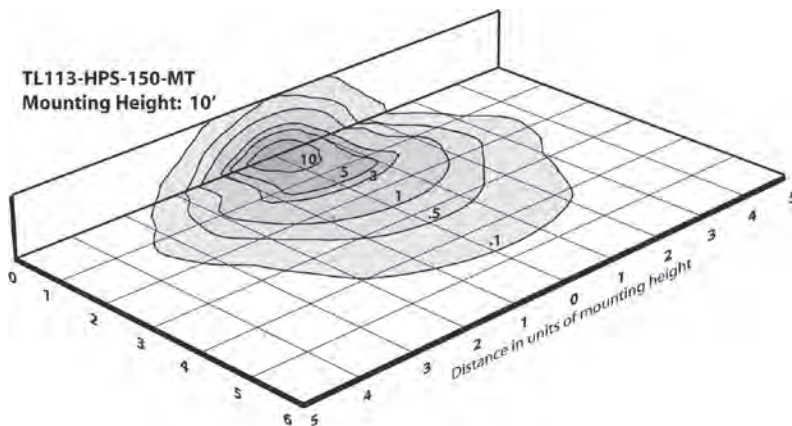


DARKSKY
COMPLIANT

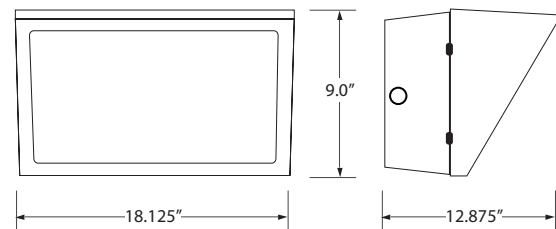
ORDERING INFORMATION (see page 114 for available accessories)

MODEL #	TYPE	WATTS	VOLTS	BALLAST
TL113EX-MH-250-MT	MH	250	120/208/240/277	CWA
TL113EX-MH-400-MT	MH	400	120/208/240/277	CWA
TL113EX-HPS-250-MT	HPS	250	120/208/240/277	CWA
TL113EX-HPS-400-MT	HPS	400	120/208/240/277	CWA

SAMPLE PHOTOMETRICS



DIMENSIONS



TL113EX
Approximate Weight: 16 lbs.



Specifications are subject to change without notice

WALLPACKS



CONSTRUCTION

The Trace-lite TL116 Series features a durable, die-cast aluminum back housing with an architectural bronze powder coated finish, and a color-matched polycarbonate front housing. Enclosure is fully sealed and gasketed, and is Wet Location Listed for outdoor use. Enclosure and hardware are corrosion resistant. The TL116 features an internal, anodized aluminum reflector which provides ideal light distribution, and the lamp(s) are protected by an impact-resistant, prismatic, polycarbonate refractor.

ELECTRONICS

The Trace-lite TL116 Series uses a glazed porcelain socket pulse rated for 4KV or universal 4 pin socket. The TL116 is provided with a high quality ballast, utilizing a Electronic type ballast depending on lamp type and wattage. Available with 120/277 Volt input.

LAMPS

The Trace-lite TL116 Series is available with Compact Fluorescent (1 x 42 or 2 x 42 watt), lamps to fit any application.

INSTALLATION

The Trace-lite TL116 Series is ideal for mounting to any vertical surface and features a hinged design for easy access to internal components. Can be wired to a 4" junction box, or surface mounted using 1/2" NPS conduit entry points.

WARRANTY

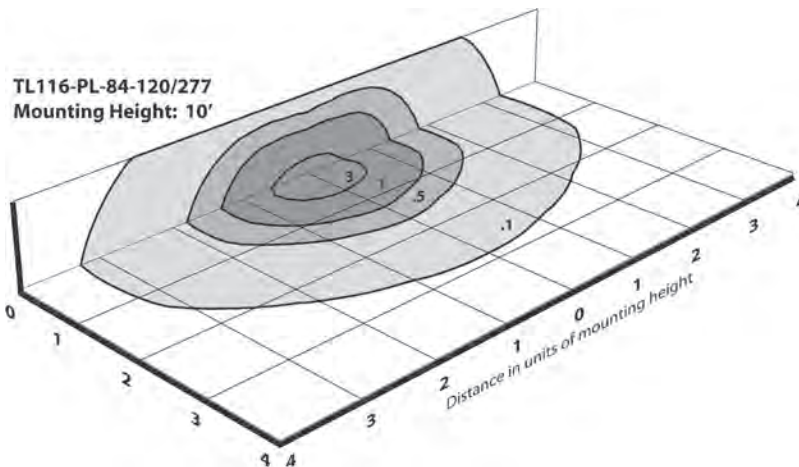
Any housing component that fails due to manufacturer's defect is guaranteed for two years from time of shipment. Ballasts, Capacitors, and Ignitors are warranted for one year from time of shipment. Warranty does not apply to damages caused by improper installation, abuse, fire or acts of God. Lamp is not covered by manufacturer's warranty.



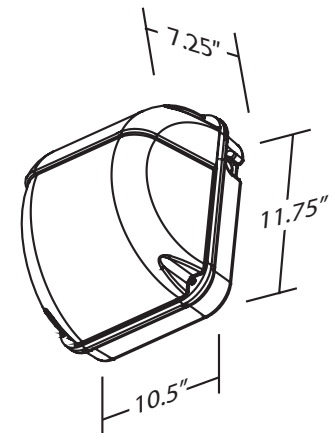
ORDERING INFORMATION (see page 114 for available accessories)

MODEL #	TYPE	WATTS	VOLTS	BALLAST
TL116-PL-42-120/277	PL	42	120/277	ELECTRONIC
TL116-PL-84-120/277	PL	2 x 42	120/277	ELECTRONIC

SAMPLE PHOTOMETRICS



DIMENSIONS



TL116
Approximate Weight: 10 lbs.



Specifications are subject to change without notice

TL 117 LARGE, SLIM DIE-CAST ALUMINUM WALLPACK



CONSTRUCTION

The Trace-lite TL117 Series features a durable, die-cast aluminum housing with an architectural bronze powder coated finish. Enclosure is fully sealed and gasketed, and is Wet Location Listed for outdoor use. Enclosure and hardware are corrosion resistant. The TL117 features an internal, anodized aluminum reflector which provides ideal light distribution, and the lamp(s) are protected by a heat and impact-resistant, borosilicate glass refractor.

ELECTRONICS

The Trace-lite TL117 Series uses a glazed porcelain socket pulse rated for 4KV. The TL117 is provided with a high quality CWA type ballast. Unit comes standard with Multi-tap (120/208/240/277 VAC) input.

LAMPS

The Trace-lite TL117 Series is available with Metal Halide (175 to 400 watt), Pulse Start Metal Halide (320 to 400 watt) or High Pressure Sodium (250 or 400 watt) lamps to fit any application.

INSTALLATION

The Trace-lite TL117 Series is ideal for mounting to any vertical surface and features a hinged design for easy access to internal components. Unit includes mounting plate with built-in leveler, and can be wired to a 4" junction box or surface mounted using 1/2" NPS conduit entry points.

WARRANTY

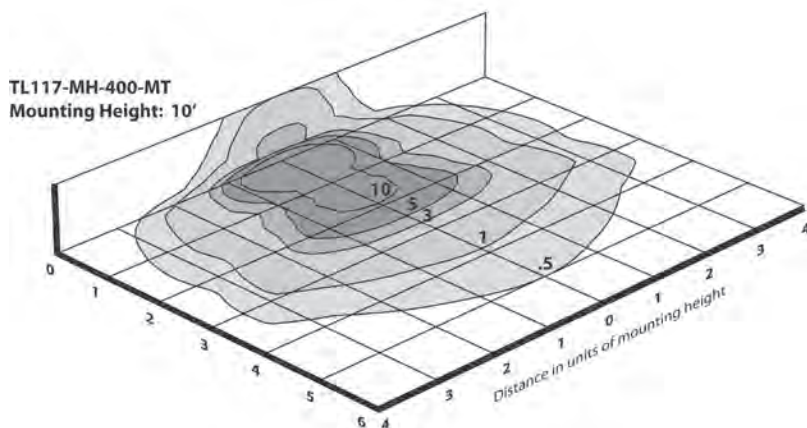
Any housing component that fails due to manufacturer's defect is guaranteed for two years from time of shipment. Ballasts, Capacitors, and Igniters are warranted for one year from time of shipment. Warranty does not apply to damages caused by improper installation, abuse, fire or acts of God. Lamp is not covered by manufacturer's warranty.



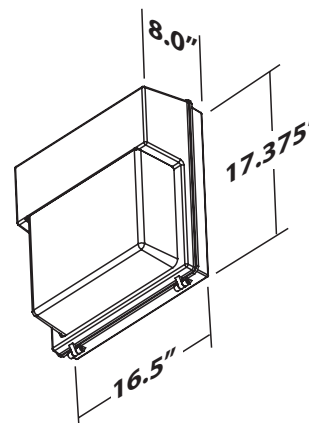
ORDERING INFORMATION (see page 114 for available accessories)

MODEL #	TYPE	WATTS	VOLTS	BALLAST
TL117-MH-175-MT	MH	175	120/208/240/277	CWA
TL117-MH-250-MT	MH	250	120/208/240/277	CWA
TL117-MH-400-MT	MH	400	120/208/240/277	CWA
TL117-PSMH-320-MT	PSMH	320	120/208/240/277	CWA
TL117-PSMH-350-MT	PSMH	350	120/208/240/277	CWA
TL117-PSMH-400-MT	PSMH	400	120/208/240/277	CWA
TL117-HPS-250-MT	HPS	250	120/208/240/277	CWA
TL117-HPS-400-MT	HPS	400	120/208/240/277	CWA

SAMPLE PHOTOMETRICS



DIMENSIONS



Approximate Weight: 20 lbs.



Specifications are subject to change without notice

WALLPACKS



CONSTRUCTION

The Trace-lite TL118 Series features a durable, die-cast aluminum housing with an architectural bronze powder coated finish. Enclosure is fully sealed and gasketed, and is Wet Location Listed for outdoor use. Enclosure and hardware are corrosion resistant. The TL118 features an internal, anodized aluminum reflector which provides ideal light distribution, and the lamp(s) are protected by a vandal-resistant, polycarbonate prismatic refractor.

ELECTRONICS

The Trace-lite TL118 Series uses a glazed porcelain socket pulse rated for 4KV or universal 4 pin socket. The TL118 is provided with a high quality Electronic, HPF, CWA or Reactor type ballast (dependant on lamp type). Unit comes standard with 120 VAC, 120/277 VAC, or Multi-tap (120/208/240/277 VAC) input (dependant on lamp type and wattage).

LAMPS

The Trace-lite TL118 Series is available with Compact Fluorescent (26 to 84 watt), Metal Halide (175 to 400 watt), Pulse Start Metal Halide (175 watt) or High Pressure Sodium (250 or 400 watt) lamps to fit any application.

INSTALLATION

The Trace-lite TL118 Series is ideal for mounting to any vertical surface and features a hinged design for easy access to internal components. Unit includes mounting plate with built-in leveler, and can be wired to a 4" junction box or surface mounted using 1/2" NPS conduit entry points.

WARRANTY

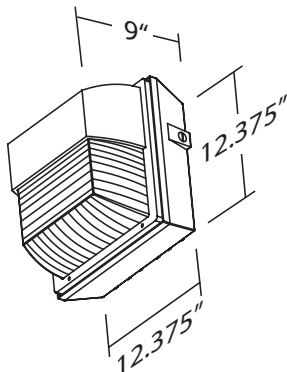
Any housing component that fails due to manufacturer's defect is guaranteed for two years from time of shipment. Ballasts, Capacitors, and Igniters are warranted for one year from time of shipment. Warranty does not apply to damages caused by improper installation, abuse, fire or acts of God. Lamp is not covered by manufacturer's warranty



ORDERING INFORMATION (see page 114 for accessories)

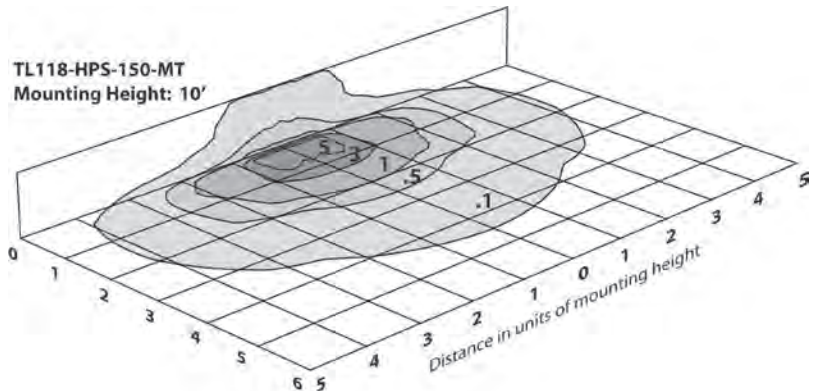
MODEL #	TYPE	WATTS	VOLTS	BALLAST
TL118-PL-26-120/277	PL	26	120/277	ELECTRONIC
TL118-PL-52-120/277	PL	26 x 2	120/277	ELECTRONIC
TL118-PL-32-120/277	PL	32	120/277	ELECTRONIC
TL118-PL-64-120/277	PL	32 x 2	120/277	ELECTRONIC
TL118-PL-42-120/277	PL	42	120/277	ELECTRONIC
TL118-PL-84-120/277	PL	42 x 2	120/277	ELECTRONIC
TL118-MH-70-MT	MH	70	120/208/240/277	HX-HPF
TL118-MH-100-MT	MH	100	120/208/240/277	HX-HPF
TL118-MH-150-MT	MH	150	120/208/240/277	HX-HPF
TL118-MH-175-MT	MH	175	120/208/240/277	CWA
TL118-PSMH-175-MT	PSMH	175	120/208/240/277	CWA
TL118-HPS-70-120	HPS	70	120	REACTOR NPF
TL118-HPS-100-120	HPS	100	120	REACTOR NPF
TL118-HPS-150-120	HPS	150	120	REACTOR NPF
TL118-HPS-150-MT	HPS	150	120/208/240/277	HX-HPF

DIMENSIONS



Approximate Weight: 15 lbs.

SAMPLE PHOTOMETRICS



Specifications are subject to change without notice



CONSTRUCTION

The Trace-lite TL119 Series features a durable, die-cast aluminum housing with an architectural bronze powder coated finish. Enclosure is fully sealed and gasketed, and is Wet Location Listed for outdoor use. Enclosure and hardware are corrosion resistant. The TL119 features an internal, anodized aluminum reflector which provides ideal light distribution, and the lamp(s) are protected by a vandal-resistant, borosilicate glass prismatic refractor.

ELECTRONICS

The Trace-lite TL119 Series uses a glazed porcelain socket pulse rated for 4KV or universal 4 pin socket. The TL119 is provided with a high quality Electronic, CWA, HPF, or Reactor type ballast (dependant on lamp type). Unit comes standard with 120 VAC, 120/277 VAC, or Multi-tap (120/208/240/277 VAC) input (dependant on lamp type and wattage).

LAMPS

The Trace-lite TL119 Series is available with Metal Halide (50 to 175 watt), Pulse Start Metal Halide (175 watt), High Pressure Sodium (35 to 150 watt) or Compact Fluorescent (26 to 84 watt) lamps to fit any application.

INSTALLATION

The Trace-lite TL119 Series is ideal for mounting to any vertical surface and features a hinged design for easy access to internal components. Unit can be wired to a 4" junction box or surface mounted using 1/2" NPS conduit entry points.

WARRANTY

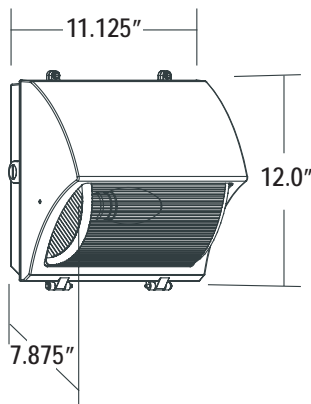
Any housing component that fails due to manufacturer's defect is guaranteed for two years from time of shipment. Ballasts, Capacitors, and Igniters are warrantied for one year from time of shipment. Warranty does not apply to damages caused by improper installation, abuse, fire or acts of God. Lamp is not covered by manufacturer's warranty.



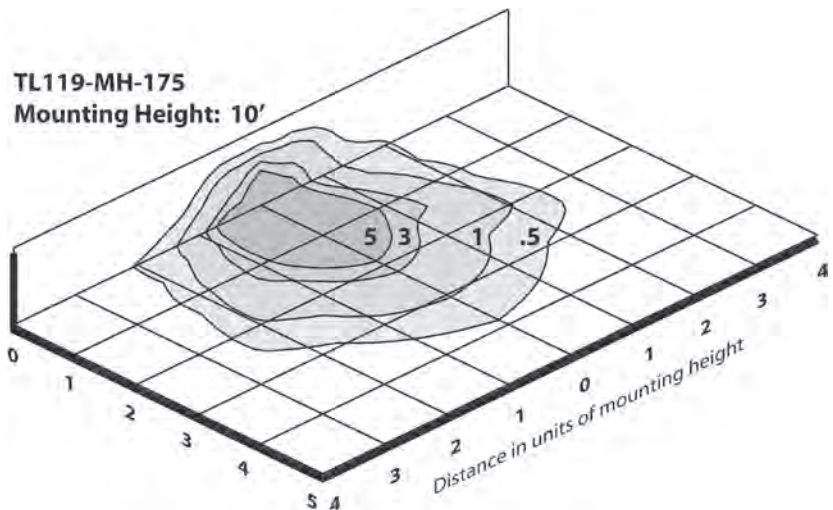
DARKSKY
COMPLIANT

ORDERING INFORMATION (see page 114 for available accessories)

MODEL #	TYPE	WATTS	VOLTS	BALLAST
TL119-PL-26-120/277	PL	26	120/277	ELECTRONIC
TL119-PL-52-120/277	PL	26 x 2	120/277	ELECTRONIC
TL119-PL-32-120/277	PL	32	120/277	ELECTRONIC
TL119-PL-64-120/277	PL	32 x 2	120/277	ELECTRONIC
TL119-PL-42-120/277	PL	42	120/277	ELECTRONIC
TL119-PL-84-120/277	PL	42 x 2	120/277	ELECTRONIC
TL119-MH-50-DT	MH	50	120/277	HX-HPF
TL119-MH-70-MT	MH	70	120/208/240/277	HX-HPF
TL119-MH-100-MT	MH	100	120/208/240/277	HX-HPF
TL119-MH-150-MT	MH	150	120/208/240/277	HX-HPF
TL119-MH-175-MT	MH	175	120/208/240/277	CWA
TL119-PSMH-175-MT	PSMH	175	120/208/240/277	CWA
TL119-HPS-35-120	HPS	35	120	REACTOR NPF
TL119-HPS-50-120	HPS	50	120	REACTOR NPF
TL119-HPS-70-120	HPS	70	120	REACTOR NPF
TL119-HPS-100-120	HPS	100	120	REACTOR NPF
TL119-HPS-150-120	HPS	150	120	REACTOR NPF
TL119-HPS-50-MT	HPS	50	120/208/240/277	HX-HPF
TL119-HPS-70-MT	HPS	70	120/208/240/277	HX-HPF
TL119-HPS-100-MT	HPS	100	120/208/240/277	HX-HPF
TL119-HPS-150-MT	HPS	150	120/208/240/277	HX-HPF



Approximate Weight: 15 lbs.



Specifications are subject to change without notice



LARGE SEMI-CUTOFF DIE-CAST ALUMINUM WALLPACK **TL 119EX**

CONSTRUCTION

The Trace-lite TL119EX Series features a durable, die-cast aluminum housing with an architectural bronze powder coated finish. Enclosure is fully sealed and gasketed, and is Wet Location Listed for outdoor use. Enclosure and hardware are corrosion resistant. The TL119EX features an internal, anodized aluminum reflector which provides ideal light distribution, and the lamp(s) are protected by a vandal-resistant, borosilicate glass prismatic refractor.

ELECTRONICS

The Trace-lite TL119EX Series uses a glazed porcelain socket pulse rated for 4KV. The TL119EX is provided with a high quality CWA or HPF type ballast (dependant on lamp type). Unit comes standard with Multi-tap (120/208/240/277 VAC) input.

LAMPS

The Trace-lite TL119EX Series is available with Metal Halide (100 to 400 watt), Pulse Start Metal Halide (250 to 400 watt) or High Pressure Sodium (100 to 400 watt) lamps to fit any application.

INSTALLATION

The Trace-lite TL119EX Series is ideal for mounting to any vertical surface and features a hinged design for easy access to internal components. Unit can be wired to a 4" junction box or surface mounted using 1/2" NPS conduit entry points.

WARRANTY

Any housing component that fails due to manufacturer's defect is guaranteed for two years from time of shipment. Ballasts, Capacitors, and Igniters are warranted for one year from time of shipment. Warranty does not apply to damages caused by improper installation, abuse, fire or acts of God. Lamp is not covered by manufacturer's warranty.



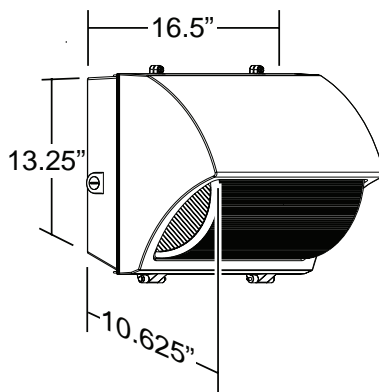
DARKSKY
COMPLIANT



ORDERING INFORMATION (see page 114 for available accessories)

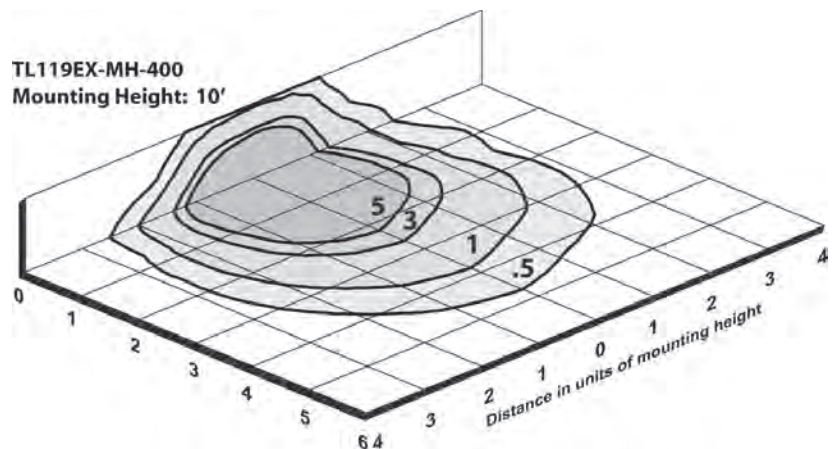
MODEL #	TYPE	WATTS	VOLTS	BALLAST
TL119EX-MH-100-MT	MH	100	120/208/240/277	HX-HPF
TL119EX-MH-150-MT	MH	150	120/208/240/277	HX-HPF
TL119EX-MH-175-MT	MH	175	120/208/240/277	CWA
TL119EX-MH-250-MT	MH	250	120/208/240/277	CWA
TL119EX-MH-400-MT	MH	400	120/208/240/277	CWA
TL119EX-PSMH-250-MT	PSMH	250	120/208/240/277	CWA
TL119EX-PSMH-320-MT	PSMH	320	120/208/240/277	CWA
TL119EX-PSMH-350-MT	PSMH	350	120/208/240/277	CWA
TL119EX-PSMH-400-MT	PSMH	400	120/208/240/277	CWA
TL119EX-HPS-100-MT	HPS	100	120/208/240/277	HX-HPF
TL119EX-HPS-150-MT	HPS	150	120/208/240/277	HX-HPF
TL119EX-HPS-250-MT	HPS	250	120/208/240/277	CWA
TL119EX-HPS-400-MT	HPS	400	120/208/240/277	CWA

DIMENSIONS



Approximate Weight: 21 lbs.

SAMPLE PHOTOMETRICS



Specifications are subject to change without notice



CONSTRUCTION

The Trace-lite TL120 Series features a durable, die-cast aluminum housing with an architectural bronze powder coated finish. Enclosure is fully sealed and gasketed, and is Wet Location Listed for outdoor use. Enclosure and hardware are corrosion resistant. The TL120 features an internal, anodized aluminum reflector which provides ideal light distribution, and the lamp(s) are protected by a vandal-resistant, polycarbonate prismatic refractor.

ELECTRONICS

The Trace-lite TL120 Series uses a glazed porcelain socket pulse rated for 4KV or universal 4 pin socket. The TL120 is provided with a high quality Electronic, HPF, or Reactor type ballast (dependant on lamp type). Unit comes standard with 120 VAC, 120/277 VAC, or Multi-tap (120/208/240/277 VAC) input (dependant on lamp type and wattage).

LAMPS

The Trace-lite TL120 Series is available with Metal Halide (175 to 400 watt), Pulse Start Metal Halide (175 watt), High Pressure Sodium (250 or 400 watt) or Compact Fluorescent (26 to 84 watt) lamps to fit any application.

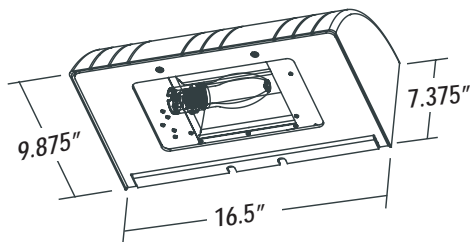
INSTALLATION

The Trace-lite TL120 Series is ideal for mounting to any vertical surface and features a hinged design for easy access to internal components. Unit includes mounting plate with built-in leveler, and can be surface mounted and wired to a 4" junction box.

WARRANTY

Any housing component that fails due to manufacturer's defect is guaranteed for two years from time of shipment. Ballasts, Capacitors, and Ignitors are warranted for one year from time of shipment. Warranty does not apply to damages caused by improper installation, abuse, fire or acts of God. Lamp is not covered by manufacturer's warranty.

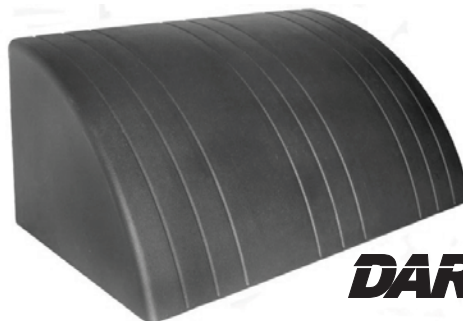
DIMENSIONS



Approximate Weight: 15 lbs.



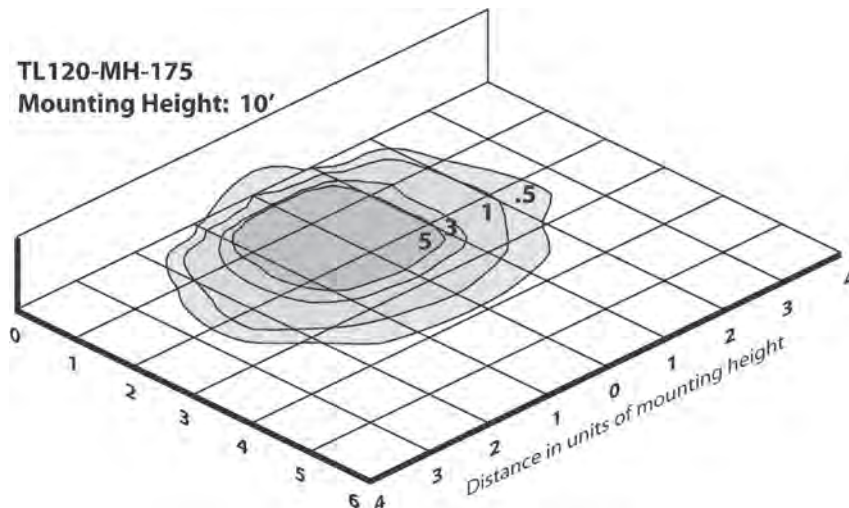
Specifications are subject to change without notice



ORDERING INFORMATION (see page 114 for accessories)

MODEL #	TYPE	WATTS	VOLTS	BALLAST
TL120-PL-26-120/277	PL	26	120/277	ELECTRONIC
TL120-PL-32-120/277	PL	32	120/277	ELECTRONIC
TL120-PL-42-120/277	PL	42	120/277	ELECTRONIC
TL120-MH-50-DT	MH	50	120/277	HX-HPF
TL120-MH-70-MT	MH	70	120/208/240/277	HX-HPF
TL120-MH-100-MT	MH	100	120/208/240/277	HX-HPF
TL120-MH-150-MT	MH	150	120/208/240/277	HX-HPF
TL120-MH-175-MT	MH	175	120/208/240/277	CWA
TL120-PSMH-175-MT	PSMH	175	120/208/240/277	CWA
TL120-HPS-35-120	HPS	35	120	REACTOR NPF
TL120-HPS-50-120	HPS	50	120	REACTOR NPF
TL120-HPS-70-120	HPS	70	120	REACTOR NPF
TL120-HPS-100-120	HPS	100	120	REACTOR NPF
TL120-HPS-150-120	HPS	150	120	REACTOR NPF
TL120-HPS-150-120	HPS	150	120	REACTOR NPF
TL120-HPS-50-DT	HPS	50	120/277	HX-HPF
TL120-HPS-70-MT	HPS	70	120/208/240/277	HX-HPF
TL120-HPS-100-MT	HPS	100	120/208/240/277	HX-HPF
TL120-HPS-150-MT	HPS	150	120/208/240/277	HX-HPF

SAMPLE PHOTOMETRICS





CONSTRUCTION

The Trace-lite TL121 Series features a durable, die-cast aluminum housing with an architectural bronze powder coated finish. Enclosure is fully sealed and gasketed, and is Wet Location Listed for outdoor use. Enclosure and hardware are corrosion resistant. The TL121 features an internal, anodized aluminum reflector which provides ideal light distribution, and the lamp(s) are protected by a vandal-resistant, tempered glass lens.

ELECTRONICS

The Trace-lite TL121 Series uses a glazed porcelain socket pulse rated for 4KV or universal 4 pin socket. The TL121 is provided with a high quality Electronic, CWA, HPF, Electronic or Reactor type ballast (dependant on lamp type). Unit comes standard with 120 VAC, 120/277 VAC, or Multi-tap (120/208/240/277 VAC) input (dependant on lamp type and wattage). Optional integral emergency ballast is also available (compact fluorescent units only).

LAMPS

The Trace-lite TL121 Series is available with Metal Halide (50 to 175 watt), Pulse Start Metal Halide (175 watt), High Pressure Sodium (50 to 150 watt) or Compact Fluorescent (26 to 84 watt) lamps to fit any application.

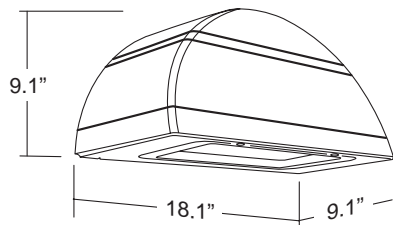
INSTALLATION

The Trace-lite TL121 Series is ideal for mounting to any vertical surface and features a hinged design for easy access to internal components. Unit can be surface mounted to a standard 4" junction box using easy hang plate.

WARRANTY

Any housing component that fails due to manufacturer's defect is guaranteed for two years from time of shipment. Ballasts, Capacitors, and Igniters are warrantied for one year from time of shipment. Warranty does not apply to damages caused by improper installation, abuse, fire or acts of God. Lamp is not covered by manufacturer's warranty.

DIMENSIONS



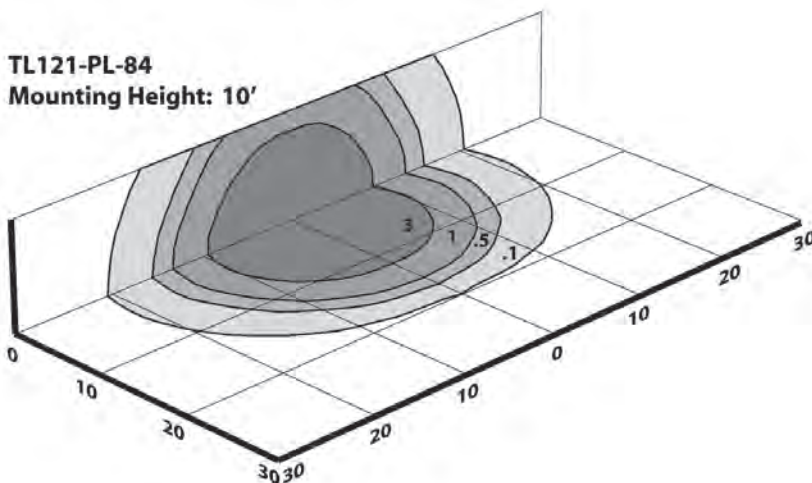
Approximate Weight: 15 lbs.



ORDERING INFORMATION (see page 114 for accessories)

MODEL #	TYPE	WATTS	VOLTS	BALLAST
TL121-PL-26-120/277	PL	26	120/277	ELECTRONIC
TL121-PL-52-120/277	PL	26 x 2	120/277	ELECTRONIC
TL121-PL-32-120/277	PL	32	120/277	ELECTRONIC
TL121-PL-64-120/277	PL	32 x 2	120/277	ELECTRONIC
TL121-PL-42-120/277	PL	42	120/277	ELECTRONIC
TL121-PL-84-120/277	PL	42 x 2	120/277	ELECTRONIC
TL121-MH-50-DT	MH	50	120/277	HX-HPF
TL121-MH-50-MT	MH	50	120/208/240/277	HX-HPF
TL121-MH-70-MT	MH	70	120/208/240/277	HX-HPF
TL121-MH-100-MT	MH	100	120/208/240/277	HX-HPF
TL121-MH-150-MT	MH	150	120/208/240/277	HX-HPF
TL121-MH-175-MT	MH	175	120/208/240/277	CWA
TL121-PSMH-175-MT	PSMH	175	120/208/240/277	CWA
TL121-HPS-50-120	HPS	50	120	REACTOR NPF
TL121-HPS-70-120	HPS	70	120	REACTOR NPF
TL121-HPS-100-120	HPS	100	120	REACTOR NPF
TL121-HPS-150-120	HPS	150	120	REACTOR NPF
TL121-HPS-150-MT	HPS	150	120/208/240/277	HX-HPF
TL121-PL-26-120/277-EM	PL	26	120/277	ELECTRONIC
TL121-PL-52-120/277-EM	PL	26 x 2	120/277	ELECTRONIC
TL121-PL-32-120/277-EM	PL	32	120/277	ELECTRONIC
TL121-PL-64-120/277-EM	PL	32 x 2	120/277	ELECTRONIC
TL121-PL-42-120/277-EM	PL	42	120/277	ELECTRONIC
TL121-PL-84-120/277-EM	PL	42 x 2	120/277	ELECTRONIC

SAMPLE PHOTOMETRICS



Specifications are subject to change without notice



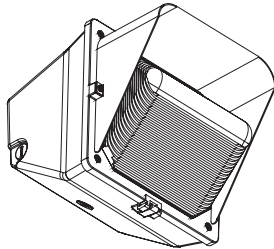
Side Cutoff Shield
Stamped Cutoff, Textured
Bronze Finish
(Shown: SC106)



Full Cutoff Shield
"DarkSky" Compliant
(Shown: FC106)



Wire Guard
Stainless Steel Construction
(Shown: WG110EXT)



Glare Shield
Stamped Cutoff, Textured
Bronze Finish
(Shown: GS104)



Polycarbonate Guard
Vandal Resistant Clear
Polycarbonate Shield
(Shown: PG110EXT)

APPLICATION CHART

MODEL #	WIRE GUARD	POLY SHIELD	GLARE SHIELD	FULL CUT OFF SHIELD	SIDE CUTOFF SHIELD	PHOTO CONTROL 120V	PHOTO CONTROL 208-277	INTEGRAL EMERGENCY BALLAST	FORWARD THROW REFLECTOR	150W QUARTZ RESTRIKE
TL101						Included	PC2			
TL102	WG102					PC1	PC2			
TL103						PC1	PC2			
TL104	WG104		GS104	FC104		PC1	PC2			
TL106	WG106	PG106		FC106	SC106	PC1	PC2			
TL106EX	WG106EX	PG106EX		FC106EX	SC106EX	PC1	PC2			
TL106EXT	WG106EXT	PG106EXT		FC106EXT	SC106EXT	PC1	PC2			
TL108						PC1	PC2			
TL109						PC1	PC2			
TL110						PC1	PC2			
TL110EX						PC1	PC2			
TL110EXT						PC1	PC2			
TL110A						PC1	PC2	EM*	FT110A	
TL111										
TL111A								EM*	FT111A	
TL112									FT112	
TL113						PC1	PC2			
TL116						PC1	PC2			
TL117						PC1	PC2			
TL118						PC1	PC2			
TL119	WG119					PC1	PC2			
TL119EX	WG119EX					PC1	PC2			QR150
TL120						PC1	PC2			
TL121						PC1	PC2	EM*		

* Fluorescent Units Only, Consult Factory

Specifications are subject to change without notice

WALLPACKS



CONSTRUCTION

The Trace-lite TL201 Series features a durable, corrosion-resistant, die-cast aluminum enclosure with an architectural bronze powder coated finish. Enclosure is fully sealed and gasketed, and is Wet Location Listed for outdoor use and includes corrosion-resistant hardware. The TL201 features an internal, anodized aluminum reflector which provides ideal light distribution, and the lamp(s) are protected by a high-impact, heat-resistant tempered glass lens.

ELECTRONICS

The Trace-lite TL201 Series uses a glazed porcelain socket pulse rated for 4KV or universal 4 pin socket. The TL201 is provided with a high quality ballast, utilizing Electronic, High Power Factor or Reactor type ballasts depending on lamp type and wattage. Available with 120V, 120/277V, or Multi-tap (120/208/240/277V) input (dependant on lamp type).

LAMPS

The Trace-lite TL201 Series is available with Compact Fluorescent (26 to 42 watt), Metal Halide (50 to 100 watt), or High Pressure Sodium (70 to 150 watt) lamps to fit any application.

INSTALLATION

The Trace-lite TL201 Series is ideal for mounting to any surface and features a threaded 1/2" NPT adjustable knuckle. Cover is hinged for easy access to lamp and internal components.



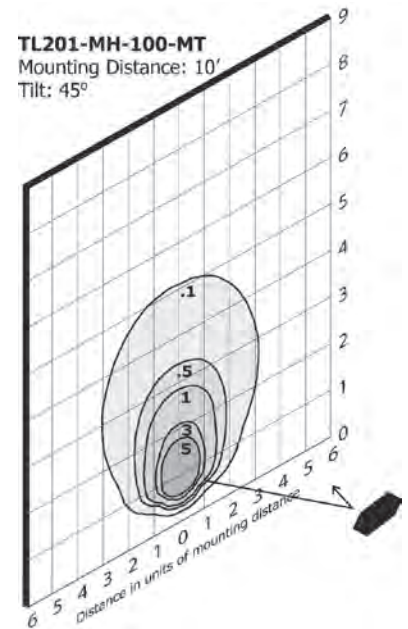
WARRANTY

Any housing component that fails due to manufacturer's defect is guaranteed for two years from time of shipment. Ballasts, Capacitors, and Ignitors are warrantied for one year from time of shipment. Warranty does not apply to damages caused by improper installation, abuse, fire or acts of God. Lamp is not covered by manufacturer's warranty.

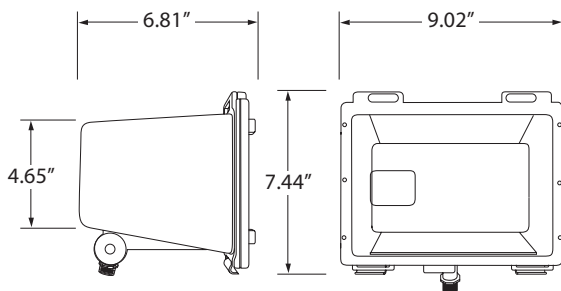
ORDERING INFORMATION (see page 122 for available accessories)

MODEL #	TYPE	WATTS	VOLTS	BALLAST
TL201-PL-26-120/277	PL	26	120/277	ELECTRONIC
TL201-PL-32-120/277	PL	32	120/277	ELECTRONIC
TL201-PL-42-120/277	PL	42	120/277	ELECTRONIC
TL201-MH-50-DT	MH	50	120/277	HX-HPF
TL201-MH-70-MT	MH	70	120/208/240/277	HX-HPF
TL201-MH-100-MT	MH	100	120/208/240/277	HX-HPF
TL201-HPS-35-120	HPS	35	120	REACTOR NPF
TL201-HPS-50-120	HPS	50	120	REACTOR NPF
TL201-HPS-70-120	HPS	70	120	REACTOR NPF
TL201-HPS-100-120	HPS	100	120	REACTOR NPF
TL201-HPS-150-120	HPS	150	120	REACTOR NPF

SAMPLE PHOTOMETRICS



DIMENSIONS



Approximate Weight: 5 lbs.



Specifications are subject to change without notice



CONSTRUCTION

The Trace-lite TL202 Series features a durable, corrosion-resistant, die-cast aluminum enclosure with an architectural bronze powder coated finish. Enclosure is fully sealed and gasketed, and is Wet Location Listed for outdoor use and includes corrosion-resistant hardware. The TL202 features an internal, anodized aluminum reflector which provides ideal light distribution, and the lamp(s) are protected by a high-impact, heat-resistant tempered glass lens. Optional spot reflector available.

ELECTRONICS

The Trace-lite TL202 Series uses a glazed porcelain socket pulse rated for 4KV or universal 4 pin socket. The TL202 is provided with a high quality ballast, utilizing Electronic, High Power Factor, CWA or Reactor type ballasts depending on lamp type and wattage. Available with 120V, 120/277V, or Multi-tap (120/208/240/277V) input (dependant on lamp type).

LAMPS

The Trace-lite TL202 Series is available with Compact Fluorescent (26 to 84 watt), Metal Halide (70 to 175 watt), Pulse Start Metal Halide (175 watt) or High Pressure Sodium (70 to 150 watt) lamps to fit any application.

INSTALLATION

The Trace-lite TL202 Series is ideal for mounting to any surface and features a threaded 1/2" NPT adjustable knuckle. Cover is hinged for easy access to lamp and internal components.



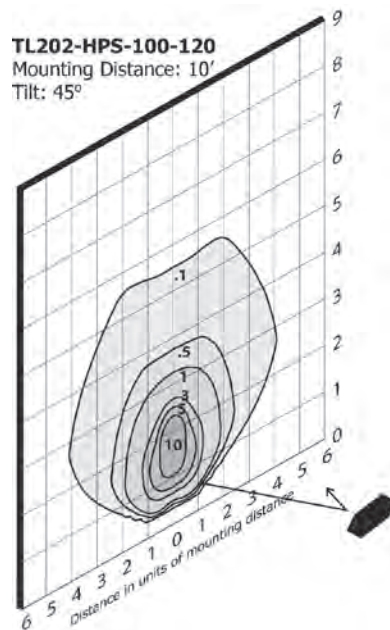
WARRANTY

Any housing component that fails due to manufacturer's defect is guaranteed for two years from time of shipment. Ballasts, Capacitors, and Ignitors are warranted for one year from time of shipment. Warranty does not apply to damages caused by improper installation, abuse, fire or acts of God. Lamp is not covered by manufacturer's warranty.

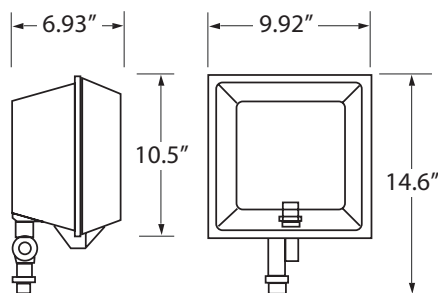
ORDERING INFORMATION (see page 122 for available accessories)

MODEL #	TYPE	WATTS	VOLTS	BALLAST
TL202-PL-26-120/277	PL	26	120/277	ELECTRONIC
TL202-PL-52-120/277	PL	26 x 2	120/277	ELECTRONIC
TL202-PL-32-120/277	PL	32	120/277	ELECTRONIC
TL202-PL-64-120/277	PL	32 x 2	120/277	ELECTRONIC
TL202-PL-42-120/277	PL	42	120/277	ELECTRONIC
TL202-PL-84-120/277	PL	42 x 2	120/277	ELECTRONIC
TL202-MH-70-MT	MH	70	120/208/240/277	HX-HPF
TL202-MH-100-MT	MH	100	120/208/240/277	HX-HPF
TL202-MH-150-MT	MH	150	120/208/240/277	CWA
TL202-MH-175-MT	MH	175	120/208/240/277	CWA
TL202-PSMH-175-MT	PSMH	175	120/208/240/277	CWA
TL202-HPS-70-120	HPS	70	120	REACTOR NPF
TL202-HPS-100-120	HPS	100	120	REACTOR NPF
TL202-HPS-150-120	HPS	150	120	REACTOR NPF
TL202-HPS-150-MT	HPS	150	120/208/240/277	HX-HPF

SAMPLE PHOTOMETRICS



DIMENSIONS



Approximate Weight: 8 lbs.



Specifications are subject to change without notice



CONSTRUCTION

The Trace-lite TL203 Series features a durable, corrosion-resistant, die-cast aluminum enclosure with an architectural bronze powder coated finish. Enclosure is fully sealed and gasketed, and is Wet Location Listed for outdoor use and includes corrosion-resistant hardware. The TL203 features an internal, anodized aluminum reflector which provides ideal light distribution, and the lamp(s) are protected by a high-impact, heat-resistant tempered glass lens.

ELECTRONICS

The Trace-lite TL203 Series uses a glazed porcelain socket pulse rated for 4KV. The TL203 is provided with a high quality CWA type ballast. Available with Multi-tap (120/208/240/277V) input.

LAMPS

The Trace-lite TL203 Series is available with Metal Halide (175 to 400 watt), Pulse Start Metal Halide (175 to 400 watt) or High Pressure Sodium (250 to 400 watt) lamps to fit any application.

INSTALLATION

The Trace-lite TL203 Series is ideal for mounting to any surface and includes a swivel bracket mount. Cover is hinged for easy access to lamp and internal components.



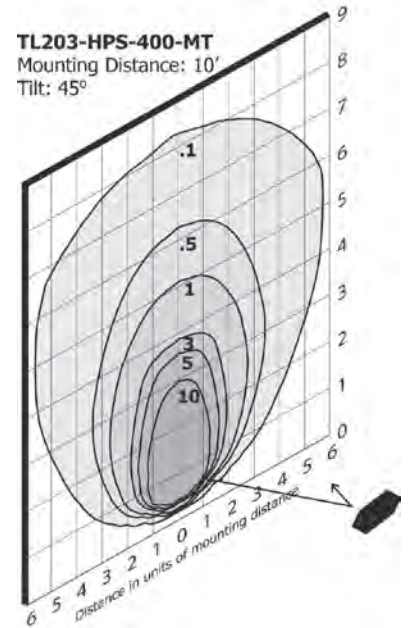
WARRANTY

Any housing component that fails due to manufacturer's defect is guaranteed for two years from time of shipment. Ballasts, Capacitors, and Ignitors are warrantied for one year from time of shipment. Warranty does not apply to damages caused by improper installation, abuse, fire or acts of God. Lamp is not covered by manufacturer's warranty.

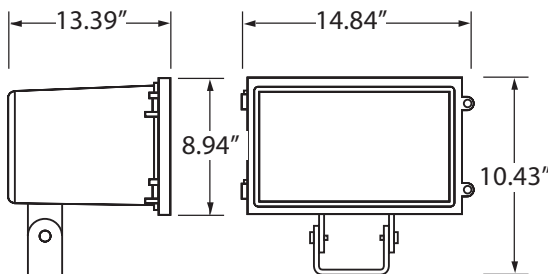
ORDERING INFORMATION (see page 122 for available accessories)

MODEL #	TYPE	WATTS	VOLTS	BALLAST
TL203-MH-175-MT	MH	175	120/208/240/277	CWA
TL203-MH-250-MT	MH	250	120/208/240/277	CWA
TL203-MH-400-MT	MH	400	120/208/240/277	CWA
TL203-PSMH-175-MT	PSMH	175	120/208/240/277	CWA
TL203-PSMH-250-MT	PSMH	250	120/208/240/277	CWA
TL203-PSMH-320-MT	PSMH	320	120/208/240/277	CWA
TL203-PSMH-350-MT	PSMH	350	120/208/240/277	CWA
TL203-PSMH-400-MT	PSMH	400	120/208/240/277	CWA
TL203-HPS-250-MT	HPS	250	120/208/240/277	CWA
TL203-HPS-400-MT	HPS	400	120/208/240/277	CWA

SAMPLE PHOTOMETRICS



DIMENSIONS



Approximate Weight: 19 lbs.



Specifications are subject to change without notice



CONSTRUCTION

The Trace-lite TL204 Series features a durable, corrosion-resistant, die-cast aluminum enclosure with an architectural bronze powder coated finish. Enclosure is fully sealed and gasketed, and is Wet Location Listed for outdoor use and includes corrosion-resistant hardware. The TL204 features an internal, anodized aluminum reflector which provides ideal general light distribution for any large floodlighting application, and the lamp(s) are protected by a high-impact, heat-resistant tempered glass lens. See page 118 for optional reflector styles.

ELECTRONICS

The Trace-lite TL204 Series uses a glazed porcelain socket pulse rated for 4KV. The TL204 is provided with a high quality ballast, utilizing a CWA type ballast. Available with Multi-tap (120/208/240/277V) input.

LAMPS

The Trace-lite TL204 Series is available with Metal Halide (175 to 400 watt), Pulse Start Metal Halide (175 to 400 watt) or High Pressure Sodium (250 to 400 watt) lamps to fit any application.

INSTALLATION

The Trace-lite TL204 Series is ideal for mounting to any surface and includes a small mounting yoke. Cover is hinged for easy access to lamp and internal components.



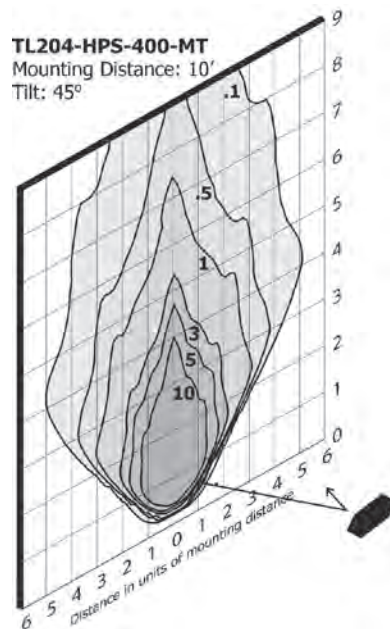
WARRANTY

Any housing component that fails due to manufacturer's defect is guaranteed for two years from time of shipment. Ballasts, Capacitors, and Igniters are warranted for one year from time of shipment. Warranty does not apply to damages caused by improper installation, abuse, fire or acts of God. Lamp is not covered by manufacturer's warranty.

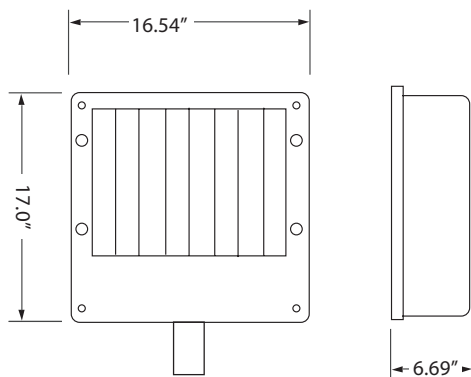
ORDERING INFORMATION (see page 122 for available accessories)

MODEL #	TYPE	WATTS	VOLTS	BALLAST
TL204-MH-175-MT	MH	175	120/208/240/277	CWA
TL204-MH-250-MT	MH	250	120/208/240/277	CWA
TL204-MH-400-MT	MH	400	120/208/240/277	CWA
TL204-PSMH-175-MT	PSMH	175	120/208/240/277	CWA
TL204-PSMH-250-MT	PSMH	250	120/208/240/277	CWA
TL204-PSMH-320-MT	PSMH	320	120/208/240/277	CWA
TL204-PSMH-350-MT	PSMH	350	120/208/240/277	CWA
TL204-PSMH-400-MT	PSMH	400	120/208/240/277	CWA
TL204-HPS-250-MT	HPS	250	120/208/240/277	CWA
TL204-HPS-400-MT	HPS	400	120/208/240/277	CWA

SAMPLE PHOTOMETRICS



DIMENSIONS



Approximate Weight: 25 lbs.

EPA: 1.9



Specifications are subject to change without notice



CONSTRUCTION

The Trace-lite TL205 Series features a durable, corrosion-resistant, die-cast aluminum lamp and ballast enclosure with an architectural bronze powder coated finish. An anodized, spun aluminum reflector provides ideal light distribution, and is available in Standard (adjusts between Type 2 and Type 6), NEMA 3, NEMA 4/5 and NEMA 6 configurations. Enclosure is fully sealed and gasketed, and is Wet Location Listed for outdoor use and includes corrosion-resistant hardware. The lamp(s) are protected by a high-impact, heat-resistant tempered glass lens.

ELECTRONICS

The Trace-lite TL205 Series uses a glazed porcelain mogul based socket pulse rated for 4KV. The TL205 is provided with a high quality, CWA type ballast. Available with Multi-tap (120/208/240/277V) or 480V input.

LAMPS

The Trace-lite TL205 Series is available with Metal Halide lamps in 1000 or 1500 watt configurations to fit any application.

INSTALLATION

The Trace-lite TL205 Series comes ready to mount to a multiple fixture cross arm using the mounting bolt included. Adjustable knuckle on lamp/reflector assembly allows for accurate aiming.

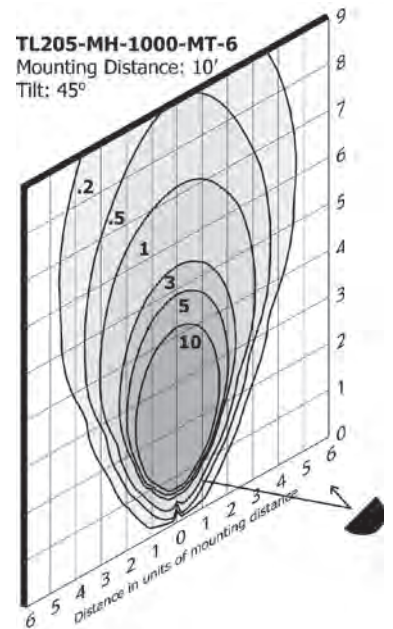
WARRANTY

Any housing component that fails due to manufacturer's defect is guaranteed for two years from time of shipment. Ballasts, Capacitors, and Igniters are warranted for one year from time of shipment. Warranty does not apply to damages caused by improper installation, abuse, fire or acts of God. Lamp is not covered by manufacturer's warranty.

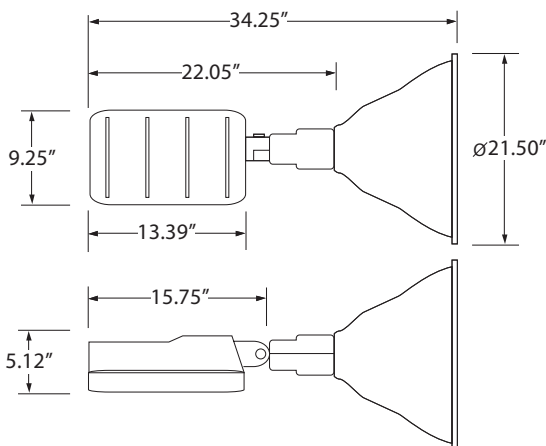
ORDERING INFORMATION (see page 122 for available accessories)

MODEL #	TYPE	WATTS	VOLTS	BALLAST	REFLECTOR
TL205-MH-1000-MT	MH	1000	120/208/240/277	CWA	STANDARD
TL205-MH-1000-480	MH	1000	480	CWA	STANDARD
TL205-MH-1500-MT	MH	1500	120/208/240/277	CWA	STANDARD
TL205-MH-1500-480	MH	1500	480	CWA	STANDARD

SAMPLE PHOTOMETRICS



DIMENSIONS



Approximate Weight: 25 lbs.

EPA: 2.5



Specifications are subject to change without notice

TL206 ARCHITECTURAL, ROUND-BACK FLOOD LIGHTING



FLOOD LIGHTS

CONSTRUCTION

The Trace-lite TL206 Series features a durable, corrosion-resistant, die-cast aluminum enclosure with an architectural bronze powder coated finish. Enclosure is fully sealed and gasketed, and is Wet Location Listed for outdoor use and includes corrosion-resistant hardware. The TL206 features an internal, anodized aluminum reflector which provides ideal light distribution, and the lamp(s) are protected by a high-impact, heat-resistant tempered glass lens. Optional spot reflector is available.

ELECTRONICS

The Trace-lite TL206 Series uses a glazed porcelain socket pulse rated for 4KV. The TL206 is provided with a high quality ballast, utilizing High Power Factor, CWA or Reactor type ballasts depending on lamp type and wattage. Available with 120V or Multi-tap (120/208/240/277V) input (dependant on lamp type).

LAMPS

The Trace-lite TL206 Series is available with Metal Halide (70 to 175 watt), Pulse Start Metal Halide (175 watt) or High Pressure Sodium (70 to 150 watt) lamps to fit any application.

INSTALLATION

The Trace-lite TL206 Series is ideal for mounting to any surface and features a threaded 1/2" NPT adjustable knuckle. Top frame is hinged for easy access to lamp and internal components.



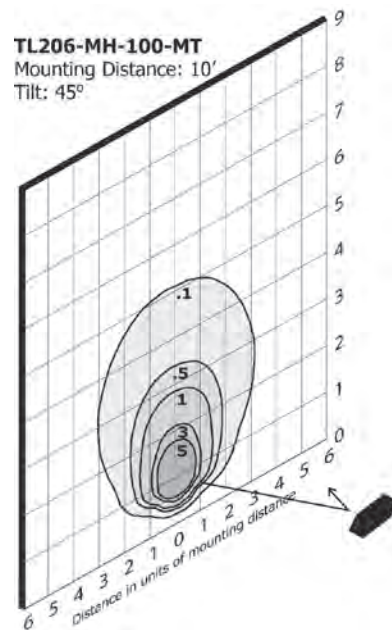
WARRANTY

Any housing component that fails due to manufacturer's defect is guaranteed for two years from time of shipment. Ballasts, Capacitors, and Ignitors are warranted for one year from time of shipment. Warranty does not apply to damages caused by improper installation, abuse, fire or acts of God. Lamp is not covered by manufacturer's warranty.

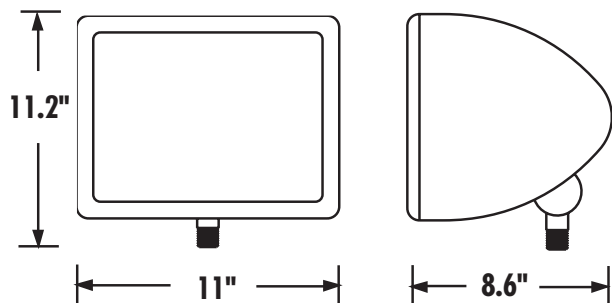
ORDERING INFORMATION (see page 122 for available accessories)

MODEL #	TYPE	WATTS	VOLTS	BALLAST
TL206-HPS-70-120	HPS	70	120	REACTOR NPF
TL206-HPS-100-120	HPS	100	120	REACTOR NPF
TL206-HPS-150-120	HPS	150	120	REACTOR NPF
TL206-HPS-150-MT	HPS	150	120/208/240/277	HX-HPF
TL206-MH-70-MT	MH	70	120/208/240/277	HX-HPF
TL206-MH-100-MT	MH	100	120/208/240/277	HX-HPF
TL206-MH-150-MT	MH	150	120/208/240/277	HX-HPF
TL206-MH-175-MT	MH	175	120/208/240/277	CWA
TL206-PSMH-175-MT	PSMH	175	120/208/240/277	CWA

SAMPLE PHOTOMETRICS



DIMENSIONS



Approximate Weight: 13 lbs.



Specifications are subject to change without notice



CONSTRUCTION

The Trace-lite TL207 Series features a durable, corrosion-resistant, die-cast aluminum enclosure with either a white or architectural bronze powder coated finish. Enclosure is fully sealed and gasketed, and is Wet Location Listed for outdoor use and includes corrosion-resistant hardware. The TL207 features an internal, anodized aluminum reflector which provides ideal light distribution, and the lamp(s) are protected by a high-impact, heat-resistant tempered glass lens.

ELECTRONICS

The Trace-lite TL207 Series uses a glazed porcelain recessed contact socket. TL207 has 120V input standard on 500W units and 240V input standard on 1500 units.

LAMPS

The Trace-lite TL207 Series is available with Quartz Incandescent lamps in 500 or 1500 watt configurations to fit any application.

INSTALLATION

The Trace-lite TL207 Series is suitable for mounting to any surface, and features a hinged cover and frame for easy access to lamp and internal components. A 1/2" NPT knuckle mount allows for easy adjustment.

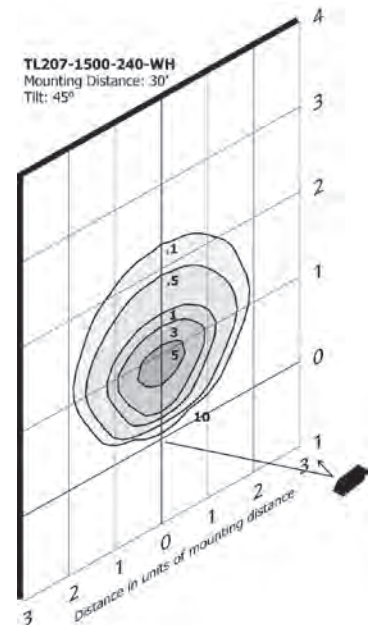
WARRANTY

Any housing component that fails due to manufacturer's defect is guaranteed for two years from time of shipment. Ballasts, Capacitors, and Igniters are warranted for one year from time of shipment. Warranty does not apply to damages caused by improper installation, abuse, fire or acts of God. Lamp is not covered by manufacturer's warranty.

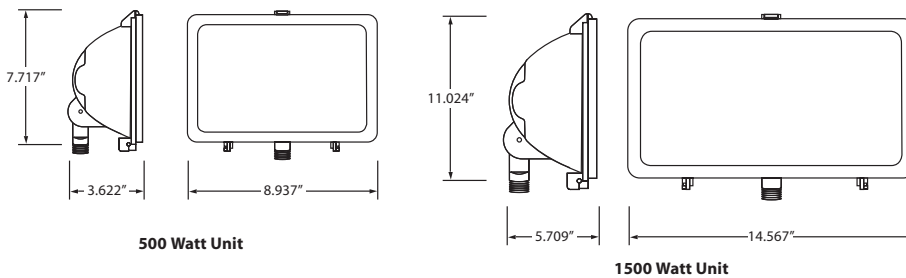
ORDERING INFORMATION (see page 122 for available accessories)

MODEL #	TYPE	WATTS	VOLTS	COLOR
TL207-500-120-BR	QUARTZ	500	120	BRONZE
TL207-500-120-WH	QUARTZ	500	120	WHITE
TL207-1500-240-BR	QUARTZ	1500	240	BRONZE

SAMPLE PHOTOMETRICS



DIMENSIONS



APPROXIMATE WEIGHT: 21 lbs.



Specifications are subject to change without notice

GUARDS, SHIELDS & PHOTOCONTROL OPTIONS



Wire Guard
(Shown: WG204)



Polycarbonate Guard
(Shown: PG201)



Glare Shield
(Shown: GS204)



Baffle
(Shown: BF204)

MODEL #	WIRE GUARD	POLY SHIELD	GLARE SHIELD	BAFFLE	PHOTO CONTROL 120V	PHOTO CONTROL 208-277
TL201	WG201	PG201	GS201		PC1	PC2
TL202	WG202	PG202	GS202		PC1*	PC2*
TL203	WG203	PG203	GS203		PC1*	PC2*
TL204	WG204	PG204	GS204	BF204	PC1*	PC2*
TL205			GS205			
TL206	WG206	PG206	GS206			

* Field Installation Only

MOUNTING OPTIONS



Ground Stake
(Shown: GRS201)



Post Top Fitter
(Shown: PF201)



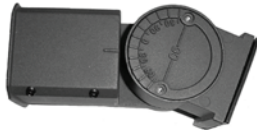
Swivel Bracket
(Shown: SW203 Mounted)



Swivel Bracket
(Shown: SW204)



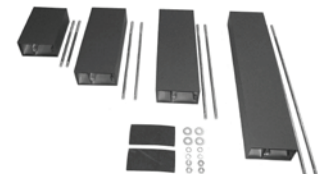
Pole Tenon Mount
(Shown: PTM203)



Slipfitter Mount
(Shown: SF204)



Heavy Duty Direct Pole Mount
(Shown: HDPM204)

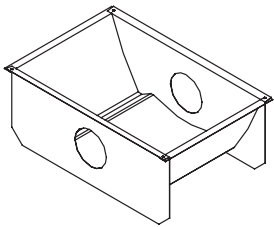


Mounting Arms
(Shown: 6", 10", 12" & 18")

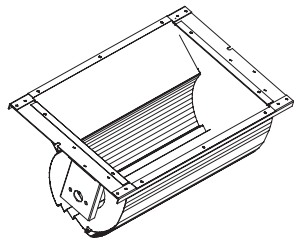
MODEL #	POST-TOP FITTER	SLIP FITTER	POLE TENON MOUNT	GROUND STAKE	SWIVEL BRACKET	LARGE MOUNTING YOKE	HEAVY DUTY DIRECT POLE MOUNT	MOUNTING ARMS (6", 10", 12", 18")
TL201	PF201			GRS				
TL202	PF202	SF202		GRS				
TL203		SF203	PTM203		SW203			
TL204		SF204			SW204	LMY204	HDPM	EXM-XX
TL205								
TL206	PF206	SF206		GRS				

Specifications are subject to change without notice

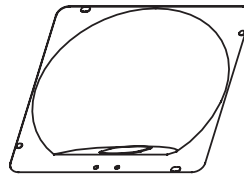
REFLECTOR OPTIONS



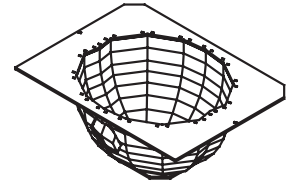
Parking (Wide Angle)
(Shown: PAR204)



Forward Throw
(Shown: FTR204)



Spot Reflector
(Shown: SPF202)



I.E.S. Type 5
(Shown: T5R204)

MODEL #	STANDARD	SPOT REFLECTOR	I.E.S. TYPE 3	I.E.S. TYPE 4/5	I.E.S. TYPE 6	FORWARD THROW	PARKING (WIDE ANGLE)
TL202	STR202	SP202					
TL203	STR203						
TL204	STR204			T5R204		FTR204	PAR204
TL205	STR205		T3R205	T5R205	T6R205		
TL206	STR206	SP206					

Visit www.trace-lite.com for complete product information and technical downloads

Specifications are subject to change without notice



CONSTRUCTION

The Trace-lite TL301 Series features a durable, corrosion-resistant, die-cast aluminum enclosure with an architectural bronze powder coated finish. Enclosure is fully sealed and gasketed, and is Wet Location Listed for outdoor use and includes corrosion-resistant hardware. The TL301 features an internal, anodized aluminum reflector which provides ideal general light distribution, and the lamp(s) are protected by a high-impact, heat-resistant tempered glass lens. Many other reflector options available.

ELECTRONICS

The Trace-lite TL301 Series uses a glazed porcelain socket pulse rated for 4KV. The TL301 is provided with a high quality CWA type ballast. Available with Multi-tap (120/208/240/277V) input.

LAMPS

The Trace-lite TL301 Series is available with Metal Halide (175 to 400 watt), Pulse Start Metal Halide (175 to 400 watt) or High Pressure Sodium (250 or 400 watt) lamps to fit any application.

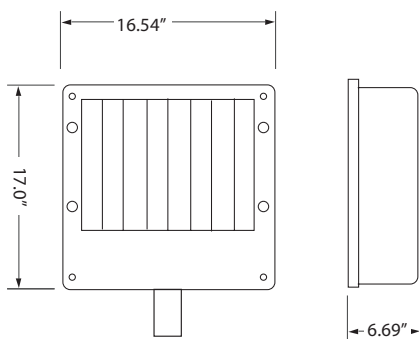
INSTALLATION

The Trace-lite TL301 Series is ideal for mounting to any surface and comes complete with 6" pole mount bracket (EXM-6SS). Cover is hinged for easy access to lamp and internal components.

WARRANTY

Any housing component that fails due to manufacturer's defect is guaranteed for two years from time of shipment. Ballasts, Capacitors, and Igniters are warranted for one year from time of shipment. Warranty does not apply to damages caused by improper installation, abuse, fire or acts of God. Lamp is not covered by manufacturer's warranty.

DIMENSIONS



Approximate Weight: 25 lbs.

EPA: .85



ORDERING INFORMATION (see page 133 for available accessories)

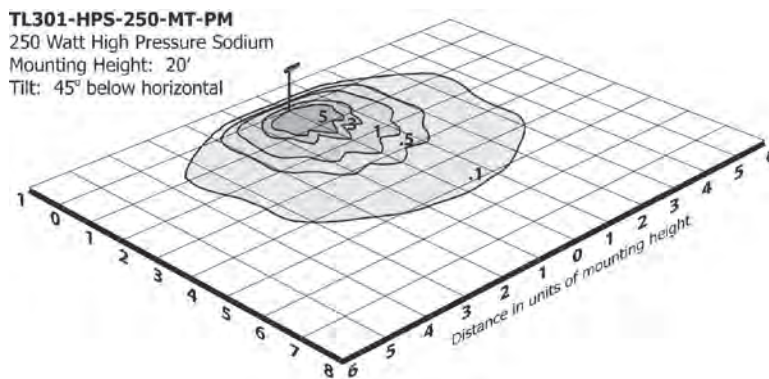
MODEL #	TYPE	WATTS	VOLTS	BALLAST
TL301-MH-175-MT	MH	175	120/208/240/277	CWA
TL301-MH-250-MT	MH	250	120/208/240/277	CWA
TL301-MH-400-MT	MH	400	120/208/240/277	CWA
TL301-PSMH-175-MT	PSMH	175	120/208/240/277	CWA
TL301-PSMH-250-MT	PSMH	250	120/208/240/277	CWA
TL301-PSMH-320-MT	PSMH	320	120/208/240/277	CWA
TL301-PSMH-350-MT	PSMH	350	120/208/240/277	CWA
TL301-PSMH-400-MT	PSMH	400	120/208/240/277	CWA
TL301-HPS-250-MT	HPS	250	120/208/240/277	CWA
TL301-HPS-400-MT	HPS	400	120/208/240/277	CWA

MOUNTING ARMS (EXM-6SS included with unit)

LENGTH	STRAIGHT		15° UP ANGLE	
	SQUARE	ROUND	SQUARE	ROUND
EXM-6XX	SS	SR	AS	AR
EXM-10XX				
EXM-12XX				
EXM-18XX				

EXAMPLE: EXM-10SR = 10" Straight Pole Mount for Round Pole

SAMPLE PHOTOMETRICS



Specifications are subject to change without notice



CONSTRUCTION

The Trace-lite TL302 Series features a durable, corrosion-resistant, die-cast aluminum enclosure with an architectural bronze powder coated finish. Enclosure is fully sealed and gasketed, and is Wet Location Listed for outdoor use and includes corrosion-resistant hardware. The TL302 features an internal, anodized aluminum reflector which provides ideal general light distribution, and the lamp(s) are protected by a high-impact, heat-resistant tempered glass lens. Many other reflector options available.

ELECTRONICS

The Trace-lite TL302 Series uses a glazed porcelain socket pulse rated for 4KV. The TL302 is provided with a high quality ballast, utilizing CWA, High Power Factor or Reactor type ballasts depending on lamp type and wattage. Available with 120V, 120/277V, or Multi-tap (120/208/240/277V) input (dependant on lamp type).

LAMPS

The Trace-lite TL302 Series is available with Metal Halide (70 to 175 watt), Pulse Start Metal Halide (175 watt) or High Pressure Sodium (70 or 150 watt) lamps to fit any application.

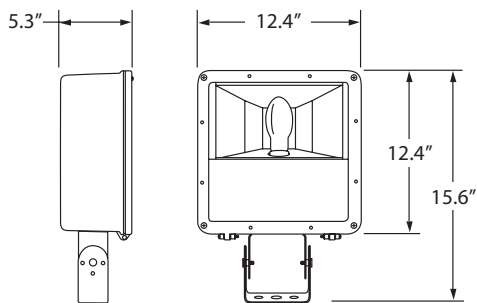
INSTALLATION

The Trace-lite TL302 Series is ideal for mounting to any surface and comes complete with 6" pole mount bracket (EXM-6SS). Cover is hinged for easy access to lamp and internal components.

WARRANTY

Any housing component that fails due to manufacturer's defect is guaranteed for two years from time of shipment. Ballasts, Capacitors, and Igniters are warranted for one year from time of shipment. Warranty does not apply to damages caused by improper installation, abuse, fire or acts of God. Lamp is not covered by manufacturer's warranty.

DIMENSIONS



Approximate Weight: 20 lbs.
EPA: .55



ORDERING INFORMATION (see page 133 for available accessories)

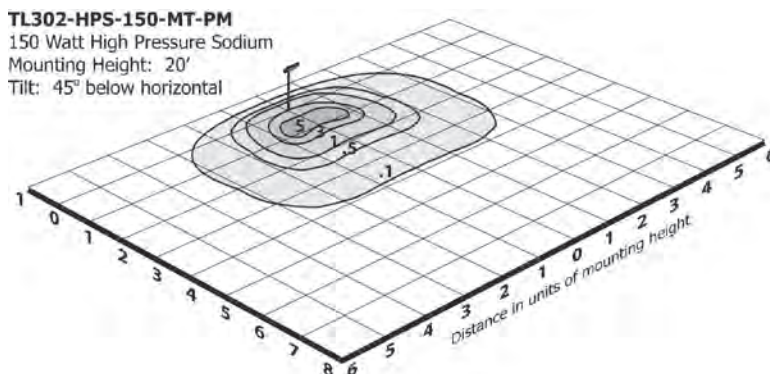
MODEL #	TYPE	WATTS	VOLTS	BALLAST
TL302-MH-70-MT	MH	70	120/208/240/277	HX-HPF
TL302-MH-100-MT	MH	100	120/208/240/277	HX-HPF
TL302-MH-150-MT	MH	150	120/208/240/277	HX-HPF
TL302-MH-175-MT	MH	175	120/208/240/277	CWA
TL302-PSMH-175-MT	PSMH	175	120/208/240/277	CWA
TL302-HPS-70-120	HPS	70	120	REACTOR NPF
TL302-HPS-100-120	HPS	100	120	REACTOR NPF
TL302-HPS-150-120	HPS	150	120	REACTOR NPF
TL302-HPS-150-MT	HPS	150	120/208/240/277	HX-HPF

MOUNTING ARMS (EXM-6SS included with unit)

LENGTH	STRAIGHT		15° UP ANGLE	
	SQUARE	ROUND	SQUARE	ROUND
EXM-6XX	SS	SR	AS	AR
EXM-10XX				
EXM-12XX				
EXM-18XX				

EXAMPLE: EXM-10SR = 10" Straight Pole Mount for Round Pole

SAMPLE PHOTOMETRICS



Specifications are subject to change without notice



CONSTRUCTION

The Trace-lite TL303 Series features a durable, corrosion-resistant, die-cast aluminum enclosure with an architectural bronze powder coated finish. Enclosure is fully sealed and gasketed, and is Wet Location Listed for outdoor use and includes corrosion-resistant hardware. The TL303 features an internal, anodized aluminum reflector which provides ideal general light distribution, and the lamp(s) are protected by a high-impact, heat-resistant tempered glass lens. Many other reflector options available.

ELECTRONICS

The Trace-lite TL303 Series uses a glazed porcelain socket pulse rated for 4KV. The TL303 is provided with a high quality CWA type ballast and Multi-tap (120/208/240/277V) input.

LAMPS

The Trace-lite TL303 Series is available with 1000 watt Metal Halide, Pulse Start Metal Halide or High Pressure Sodium lamps.

INSTALLATION

The Trace-lite TL303 Series is ideal for mounting to any surface and comes complete with 6" pole mount bracket (EXM-6SS). Cover is hinged for easy access to lamp and internal components.

WARRANTY

Any housing component that fails due to manufacturer's defect is guaranteed for two years from time of shipment. Ballasts, Capacitors, and Ignitors are warranted for one year from time of shipment. Warranty does not apply to damages caused by improper installation, abuse, fire or acts of God. Lamp is not covered by manufacturer's warranty.



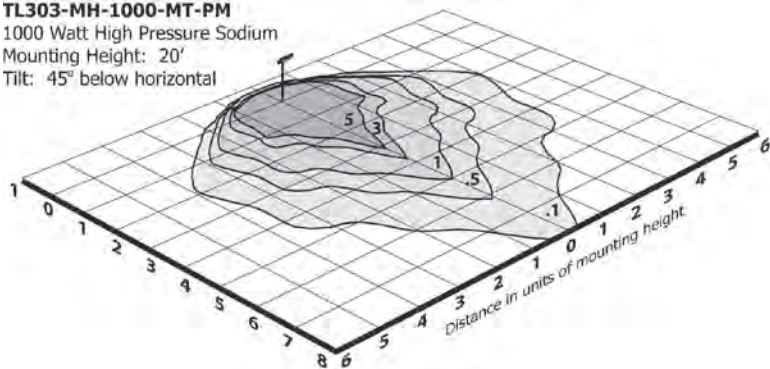
ORDERING INFORMATION (see page 133 for available accessories)

MODEL #	TYPE	WATTS	VOLTS	BALLAST
TL303-MH-1000-MT	MH	1000	120/208/240/277	CWA
TL303-PSMH-1000-MT	PSMH	1000	120/208/240/277	CWA
TL303-HPS-1000-MT	HPS	1000	120/208/240/277	CWA

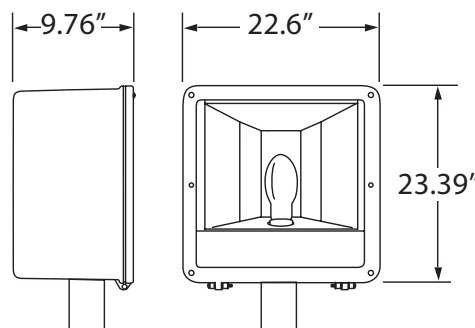
SAMPLE PHOTOMETRICS

TL303-MH-1000-MT-PM

1000 Watt High Pressure Sodium
Mounting Height: 20'
Tilt: 45° below horizontal



DIMENSIONS



Approximate Weight: 40 lbs.
EPA: 1.65



Specifications are subject to change without notice



CONSTRUCTION

The Trace-lite TL304 Series features a durable, corrosion-resistant, die-cast aluminum enclosure with an architectural bronze powder coated finish. Enclosure is fully sealed and gasketed, and is Wet Location Listed for outdoor use and includes corrosion-resistant hardware. The TL304 features an internal, anodized aluminum reflector which provides ideal general light distribution, and the lamp(s) are protected by a high-impact, heat-resistant tempered glass lens. Many other reflector options available

ELECTRONICS

The Trace-lite TL304 Series uses a glazed porcelain socket pulse rated for 4KV. The TL304 is provided with a high quality CWA type ballast and Multi-tap (120/208/240/277V) input.

LAMPS

The Trace-lite TL304 Series is available with Metal Halide (175 to 400 watt), Pulse Start Metal Halide (175 to 400 watt) or High Pressure Sodium (250 or 400 watt) lamps to fit any application.

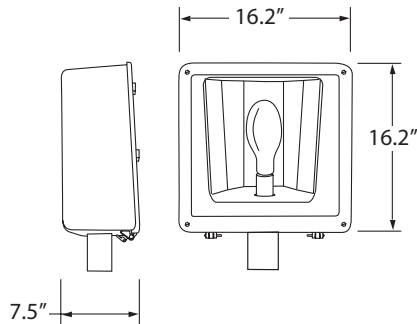
INSTALLATION

The Trace-lite TL304 Series is ideal for mounting to any surface and comes complete with 6" pole mount bracket (EXM-6SS). Cover is hinged for easy access to lamp and internal components.

WARRANTY

Any housing component that fails due to manufacturer's defect is guaranteed for two years from time of shipment. Ballasts, Capacitors, and Ignitors are warrantied for one year from time of shipment. Warranty does not apply to damages caused by improper installation, abuse, fire or acts of God. Lamp is not covered by manufacturer's warranty.

DIMENSIONS



Approximate Weight: 25 lbs.
EPA: .85



ORDERING INFORMATION (see page 133 for available accessories)

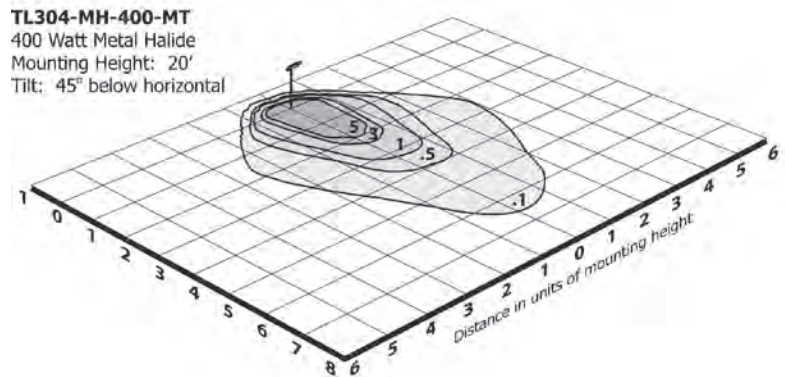
MODEL #	TYPE	WATTS	VOLTS	BALLAST
TL304-MH-175-MT	MH	175	120/208/240/277	CWA
TL304-MH-250-MT	MH	250	120/208/240/277	CWA
TL304-MH-400-MT	MH	400	120/208/240/277	CWA
TL304-PSMH-175-MT	PSMH	175	120/208/240/277	CWA
TL304-PSMH-250-MT	PSMH	250	120/208/240/277	CWA
TL304-PSMH-320-MT	PSMH	320	120/208/240/277	CWA
TL304-PSMH-350-MT	PSMH	350	120/208/240/277	CWA
TL304-PSMH-400-MT	PSMH	400	120/208/240/277	CWA
TL304-HPS-250-MT	HPS	250	120/208/240/277	CWA
TL304-HPS-400-MT	HPS	400	120/208/240/277	CWA

MOUNTING ARMS (EXM-6SS included with unit)

LENGTH	STRAIGHT		15° UP ANGLE	
	SQUARE	ROUND	SQUARE	ROUND
EXM-6XX	SS	SR	AS	AR
EXM-10XX				
EXM-12XX				
EXM-18XX				

EXAMPLE: EXM-10SR = 10" Straight Pole Mount for Round Pole

SAMPLE PHOTOMETRICS



Specifications are subject to change without notice



CONSTRUCTION

The Trace-lite TL305 Series features a durable, corrosion-resistant, die-cast aluminum enclosure with a black powder coated finish standard. Enclosure is fully sealed and gasketed, and is Wet Location Listed for outdoor use and includes corrosion-resistant hardware. The TL305 features an internal, anodized aluminum reflector which provides ideal light distribution, and the lamp(s) are protected by a high-impact, heat-resistant tempered glass lens.

ELECTRONICS

The Trace-lite TL305 Series uses a glazed porcelain socket pulse rated for 4KV. The TL305 is provided with a high quality CWA type ballast and Multi-tap (120/208/240/277V) input.

LAMPS

The Trace-lite TL305 Series is available with Metal Halide (175 to 400 watt), or High Pressure Sodium (250 to 400 watt) lamps to fit any application.

INSTALLATION

The Trace-lite TL305 Series is ideal for mounting to any surface and comes complete with 6" pole mount bracket (PM305). Cover is hinged for easy access to lamp and internal components.

WARRANTY

Any housing component that fails due to manufacturer's defect is guaranteed for two years from time of shipment. Ballasts, Capacitors, and Igniters are warranted for one year from time of shipment. Warranty does not apply to damages caused by improper installation, abuse, fire or acts of God. Lamp is not covered by manufacturer's warranty.

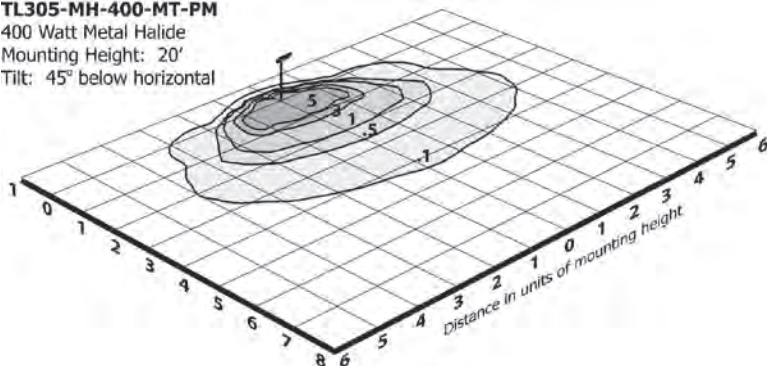


ORDERING INFORMATION (see page 133 for available accessories)

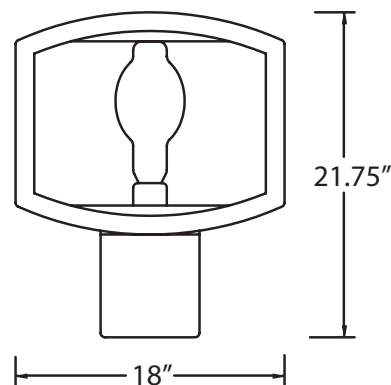
MODEL #	TYPE	WATTS	VOLTS	BALLAST
TL305-MH-175-MT	MH	175	120/208/240/277	CWA
TL305-MH-250-MT	MH	250	120/208/240/277	CWA
TL305-MH-400-MT	MH	400	120/208/240/277	CWA
TL305-HPS-250-MT	HPS	250	120/208/240/277	CWA
TL305-HPS-400-MT	HPS	400	120/208/240/277	CWA

SAMPLE PHOTOMETRICS

TL305-MH-400-MT-PM
400 Watt Metal Halide
Mounting Height: 20'
Tilt: 45° below horizontal



DIMENSIONS



Approximate Weight: 25 lbs.



Specifications are subject to change without notice



CONSTRUCTION

The Trace-lite TL306 Series features a durable, corrosion-resistant, die-cast aluminum enclosure with an architectural bronze powder coated finish. Adjustable housing swivels from 0° to 30°, allowing light to be aimed where needed, housings have angle indicator for easy adjustments. Enclosure is fully sealed and gasketed, and is Wet Location Listed for outdoor use and includes corrosion-resistant hardware. The TL306 features an internal, anodized aluminum reflector which provides ideal general light distribution, and the lamp(s) are protected by a high-impact, heat-resistant tempered glass lens.

ELECTRONICS

The Trace-lite TL306 Series uses a glazed porcelain socket pulse rated for 4KV. The TL306 is provided with a high quality CWA, HPF, or Reactor type ballast and 120V, 120/277V or Multi-tap (120/208/240/277V) input (depended on lamp type and wattage).

LAMPS

The Trace-lite TL306 Series is available with Metal Halide (50 to 175 watt), Pulse Start Metal Halide (175 watt) or High Pressure Sodium (35 to 150 watt) lamps to fit any application.

INSTALLATION

The Trace-lite TL306 Series can be wall mounted using included bracket, pole mounting brackets are optional, and are available in 1, 2, 3 and 4 fixture configurations. Decorative covers are also available for pole brackets.

ORDERING INFORMATION (see page 133 for available accessories)

MODEL #	TYPE	WATTS	VOLTS	BALLAST
TL306-MH-50-DT	MH	50	120/277	HX-HPF
TL306-MH-70-MT	MH	70	120/208/240/277	HX-HPF
TL306-MH-100-MT	MH	100	120/208/240/277	HX-HPF
TL306-MH-150-MT	MH	150	120/208/240/277	HX-HPF
TL306-MH-175-MT	MH	175	120/208/240/277	CWA
TL306-PSMH-175-MT	PSMH	175	120/208/240/277	CWA
TL306-HPS-35-120	HPS	35	120	REACTOR NPF
TL306-HPS-50-120	HPS	50	120	REACTOR NPF
TL306-HPS-70-120	HPS	70	120	REACTOR NPF
TL306-HPS-100-120	HPS	100	120	REACTOR NPF
TL306-HPS-150-120	HPS	150	120	REACTOR NPF
TL306-HPS-70-MT	HPS	70	120/208/240/277	HX-HPF
TL306-HPS-100-MT	HPS	100	120/208/240/277	HX-HPF
TL306-HPS-150-MT	HPS	150	120/208/240/277	HX-HPF

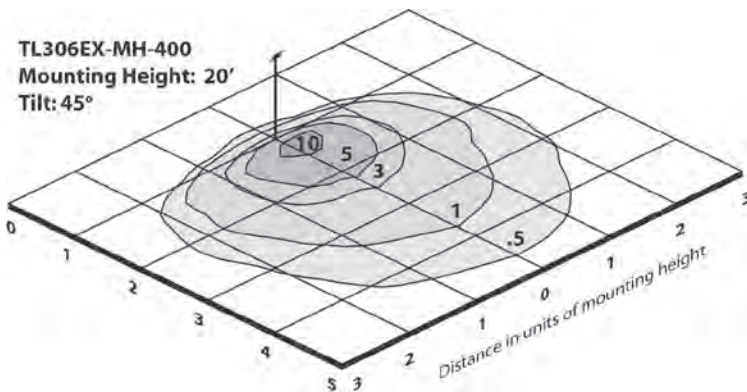


WARRANTY

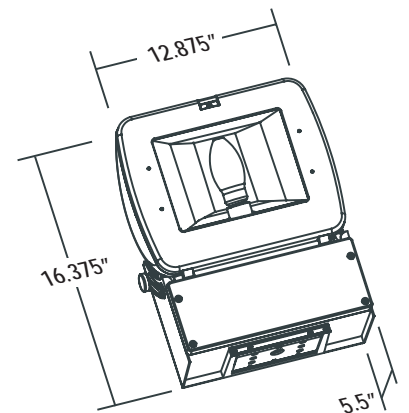
Any housing component that fails due to manufacturer's defect is guaranteed for two years from time of shipment. Ballasts, Capacitors, and Igniters are warrantied for one year from time of shipment. Warranty does not apply to damages caused by improper installation, abuse, fire or acts of God. Lamp is not covered by manufacturer's warranty.

AREA LIGHTS

SAMPLE PHOTOMETRICS



DIMENSIONS



Approximate Weight: 25 lbs.

TL306EX LARGE DIE-CAST ALUMINUM ADJUSTABLE AREA LIGHTING



CONSTRUCTION

The Trace-lite TL306EX Series features a durable, corrosion-resistant, die-cast aluminum enclosure with an architectural bronze powder coated finish. Enclosure is fully sealed and gasketed, and is Wet Location Listed for outdoor use and includes corrosion-resistant hardware. The TL306EX features an internal, anodized aluminum reflector which provides ideal general light distribution, and the lamp(s) are protected by a high-impact, heat-resistant tempered glass lens. Adjustable housing swivels from 0° to 30°, allowing light to be aimed where needed, housings have angle indicator for easy adjustments

ELECTRONICS

The Trace-lite TL306EX Series uses a glazed porcelain socket pulse rated for 4KV. The TL306EX is provided with a high quality CWA or HPF type ballast and 120V or Multi-tap (120/208/240/277V) input (depended on lamp type and wattage).

LAMPS

The Trace-lite TL306EX Series is available with Metal Halide (100 to 400 watt), Pulse Start Metal Halide (320 to 400 watt) or High Pressure Sodium (100 to 400 watt) lamps to fit any application.

INSTALLATION

The Trace-lite TL306EX Series can be wall mounted using included bracket, pole mounting brackets are optional, and are available in 1, 2, 3 and 4 fixture configurations. Decorative covers are also available for pole brackets.

ORDERING INFORMATION (see page 133 for available accessories)

MODEL #	TYPE	WATTS	VOLTS	BALLAST
TL306EX-MH-100-MT	MH	100	120/208/240/277	HX-HPF
TL306EX-MH-150-MT	MH	150	120/208/240/277	HX-HPF
TL306EX-MH-175-MT	MH	175	120/208/240/277	CWA
TL306EX-MH-250-MT	MH	250	120/208/240/277	CWA
TL306EX-MH-400-MT	MH	400	120/208/240/277	CWA
TL306EX-PSMH-320-MT	PSMH	320	120/208/240/277	CWA
TL306EX-PSMH-350-MT	PSMH	350	120/208/240/277	CWA
TL306EX-PSMH-400-MT	PSMH	400	120/208/240/277	CWA
TL306EX-HPS-100-MT	HPS	100	120/208/240/277	HX-HPF
TL306EX-HPS-150-MT	HPS	150	120/208/240/277	HX-HPF
TL306EX-HPS-250-MT	HPS	250	120/208/240/277	CWA
TL306EX-HPS-400-MT	HPS	400	120/208/240/277	CWA

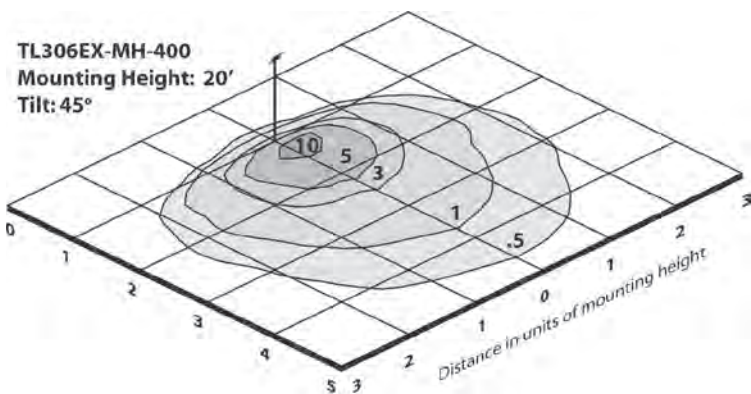


WARRANTY

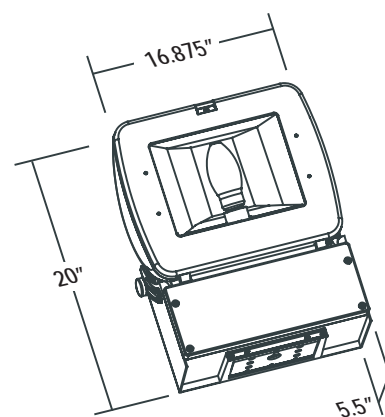
Any housing component that fails due to manufacturer's defect is guaranteed for two years from time of shipment. Ballasts, Capacitors, and Ignitors are warranted for one year from time of shipment. Warranty does not apply to damages caused by improper installation, abuse, fire or acts of God. Lamp is not covered by manufacturer's warranty.

AREA LIGHTS

SAMPLE PHOTOMETRICS



DIMENSIONS



Approximate Weight: 25 lbs.

Specifications are subject to change without notice



CONSTRUCTION

The Trace-lite TL307 Series features a durable, corrosion-resistant, die-cast aluminum enclosure with an architectural bronze powder coated finish. Enclosure is fully sealed and gasketed, and is Wet Location Listed for outdoor use and includes corrosion-resistant hardware. The TL307 features an internal, specular aluminum reflector and the lamp(s) are protected by a high-impact, heat-resistant tempered flat glass lens. Multiple position lamp socket adjusts between Types II and III light distributions.

ELECTRONICS

The Trace-lite TL307 Series uses a glazed porcelain socket pulse rated for 4KV. The TL307 is provided with a high quality CWA, HPF, or Reactor type ballast and 120V, 120/277V or Multi-tap (120/208/240/277V) input (dependant on lamp type and wattage).

LAMPS

The Trace-lite TL307 Series is available with Metal Halide (50 to 175 watt), Pulse Start Metal Halide (175 watt) or High Pressure Sodium (35 to 150 watt) lamps to fit any application.

INSTALLATION

The Trace-lite TL307 Series can be mounted to a square pole, optional round pole and wall mount adapters are also available.

ORDERING INFORMATION (see page 133 for available accessories)

MODEL #	TYPE	WATTS	VOLTS	BALLAST
TL307-MH-50-DT	MH	50	120/277	HX-HPF
TL307-MH-70-MT	MH	70	120/208/240/277	HX-HPF
TL307-MH-100-MT	MH	100	120/208/240/277	HX-HPF
TL307-MH-150-MT	MH	150	120/208/240/277	HX-HPF
TL307-MH-175-MT	MH	175	120/208/240/277	CWA
TL307-PSMH-175-MT	PSMH	175	120/208/240/277	CWA
TL307-HPS-35-120	HPS	35	120	REACTOR NPF
TL307-HPS-50-120	HPS	50	120	REACTOR NPF
TL307-HPS-70-120	HPS	70	120	REACTOR NPF
TL307-HPS-100-120	HPS	100	120	REACTOR NPF
TL307-HPS-150-120	HPS	150	120	REACTOR NPF
TL307-HPS-70-MT	HPS	70	120/208/240/277	HX-HPF
TL307-HPS-100-MT	HPS	100	120/208/240/277	HX-HPF
TL307-HPS-150-MT	HPS	150	120/208/240/277	HX-HPF



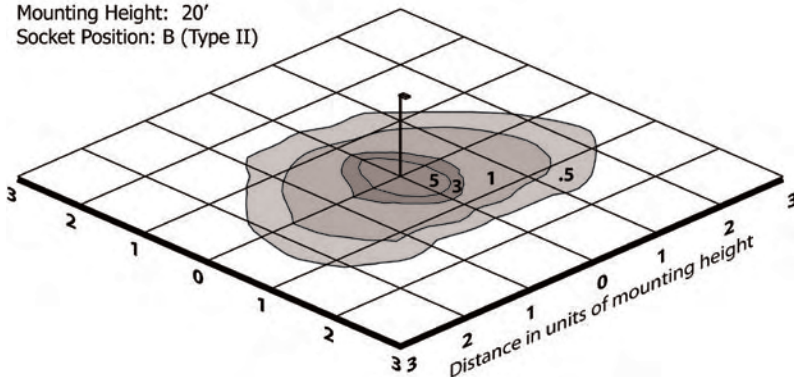
WARRANTY

Any housing component that fails due to manufacturer's defect is guaranteed for two years from time of shipment. Ballasts, Capacitors, and Ignitors are warrantied for one year from time of shipment. Warranty does not apply to damages caused by improper installation, abuse, fire or acts of God. Lamp is not covered by manufacturer's warranty.

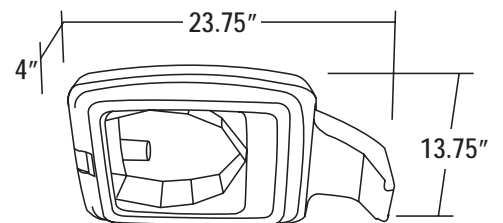
AREA LIGHTS

SAMPLE PHOTOMETRICS

TL307-MH-175-II
 Mounting Height: 20'
 Socket Position: B (Type II)



DIMENSIONS



Approximate Weight: 25 lbs.



Specifications are subject to change without notice



CONSTRUCTION

The Trace-lite TL307EX Series features a durable, corrosion-resistant, die-cast aluminum enclosure with an architectural bronze powder coated finish. Enclosure is fully sealed and gasketed, and is Wet Location Listed for outdoor use and includes corrosion-resistant hardware. The TL307EX features an internal, specular aluminum reflector and the lamp(s) are protected by a high-impact, heat-resistant tempered flat glass lens. Multiple position lamp socket adjusts between Types II, III, and IV light distributions.

ELECTRONICS

The Trace-lite TL307EX Series uses a glazed porcelain socket pulse rated for 4KV. The TL307EX is provided with a high quality CWA type ballast and Multi-tap (120/208/240/277V) input.

LAMPS

The Trace-lite TL307EX Series is available with Metal Halide (250 to 1000 watt), Pulse Start Metal Halide (250 to 400 watt) or High Pressure Sodium (250 to 1000 watt) lamps to fit any application.

INSTALLATION

The Trace-lite TL307EX Series can be mounted to a square pole, optional round pole and wall mount adapters are also available.



WARRANTY

Any housing component that fails due to manufacturer's defect is guaranteed for two years from time of shipment. Ballasts, Capacitors, and Ignitors are warranted for one year from time of shipment. Warranty does not apply to damages caused by improper installation, abuse, fire or acts of God. Lamp is not covered by manufacturer's warranty.

ORDERING INFORMATION (see page 133 for available accessories)

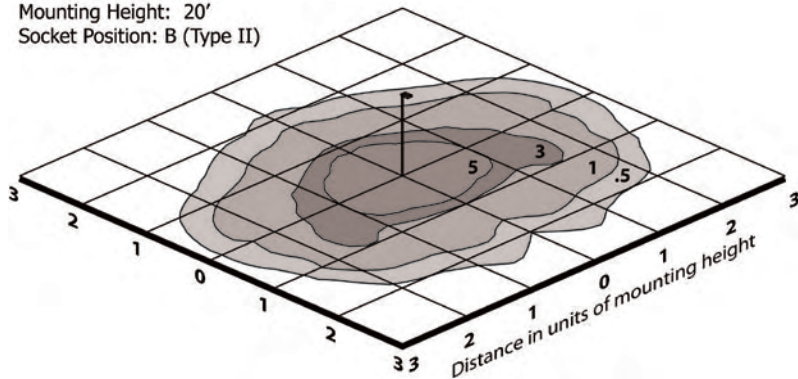
MODEL #	TYPE	WATTS	VOLTS	BALLAST
TL307EX-MH-250-MT	MH	250	120/208/240/277	CWA
TL307EX-MH-400-MT	MH	400	120/208/240/277	CWA
TL307EX-MH-1000-MT	MH	1000	120/208/240/277	CWA
TL307EX-PSMH-250-MT	PSMH	250	120/208/240/277	CWA
TL307EX-PSMH-320-MT	PSMH	320	120/208/240/277	CWA
TL307EX-PSMH-350-MT	PSMH	350	120/208/240/277	CWA
TL307EX-PSMH-400-MT	PSMH	400	120/208/240/277	CWA
TL307EX-HPS-250-MT	HPS	250	120/208/240/277	CWA
TL307EX-HPS-400-MT	HPS	400	120/208/240/277	CWA
TL307EX-HPS-1000-MT	HPS	1000	120/208/240/277	CWA

SAMPLE PHOTOMETRICS

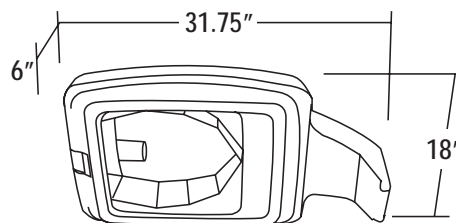
TL307EX-MH-400-II

Mounting Height: 20'

Socket Position: B (Type II)



DIMENSIONS

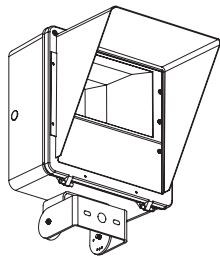


Approximate Weight: 25 lbs.

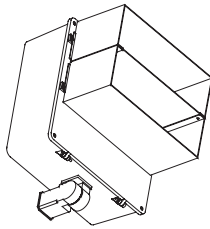


Specifications are subject to change without notice

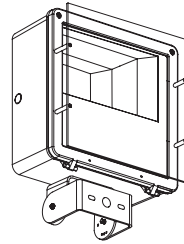
GUARDS, SHIELDS & PHOTOCONTROL OPTIONS



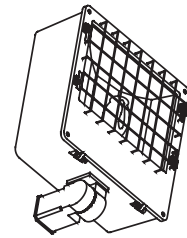
Glare Shield
(Shown: GS302)



Baffle
(Shown: BF301)



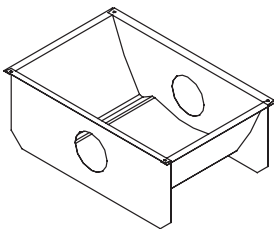
Polycarbonate Guard
(Shown: PG302)



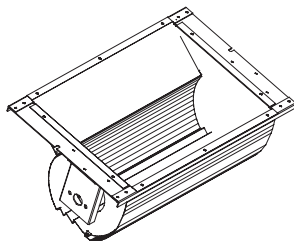
Wire Guard
(Shown: WG301)

MODEL #	WIRE GUARD	POLY SHIELD	GLARE SHIELD	BAFFLE	PHOTO CELL BRACKET	120V TWIST LOCK PHOTO CONTROL	208-277V TWIST LOCK PHOTO CONTROL
TL301	WG301	PG301	GS301	BF301			
TL302	WG302	PG302	GS302				
TL303	WG303	PG303	GS303	BF303			
TL304	WG304	PG304	GS304	BF304			
TL305	WG305	PG305	GS305				
TL306							
TL306EX							
TL307					PCB307	PC1T	PC2T
TL307EX					PCB307EX	PC1T	PC2T

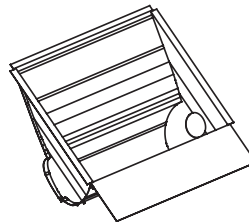
REFLECTOR OPTIONS



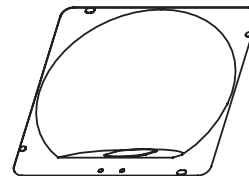
Parking (Wide Angle)
(Shown: PAR204)



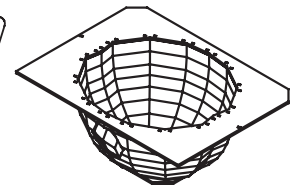
Forward Throw
(Shown: FTR204)



Cutoff Reflector
(Shown: COR204)



Spot Reflector
(Shown: SPF202)

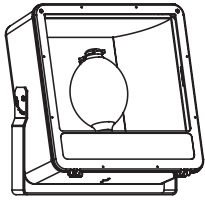


I.E.S. Type 5
(Shown: T5R204)

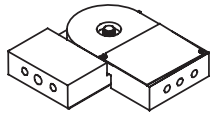
MODEL #	STANDARD	STANDARD PINGED	I.E.S. TYPE 5	FORWARD THROW	PARKING (WIDE ANGLE)	CUTOFF	HORIZONTAL MOUNT	COBRA STYLE
TL301	STR301		T5R301	FTR301	PAR301			
TL302	STR302	SPR302	T5R302	FTR302	PAR302	COR302		
TL303	STR303		T5R303	FTR303	PAR303	COR303		
TL304	STR304		T5R304	FTR304	PAR304	COR304	HMR304*	CSR304
TL305	STR305							
TL306	STR306		T5R306	FTR306	PAR306	COR306		
TL306EX	STR306EX		T5R306EX	FTR306EX		COR306EX		
TL307								
TL307EX								

* MAX WATTAGE 150w HPS or 175w MH

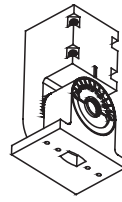
MOUNTING OPTIONS



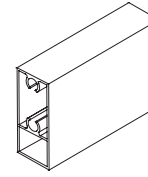
Large Mounting Yoke
(Shown: LMY303)



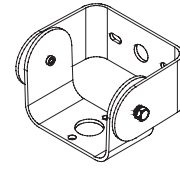
Heavy Duty Direct Pole Mount
(Shown: HDPM304)



Slipfitter Mount
(Shown: SF302)



Mounting Arms
(Shown: 6" Straight Square)



Swivel Bracket
(Shown: SW304)

MODEL #	SWIVEL BRACKET	SLIP FITTER	LARGE MOUNTING YOKE	POLE MOUNT	HEAVY DUTY DIRECT POLE MOUNT	MOUNTING ARMS (6", 10", 12", 18")	SAFETY CABLE	ROUND POLE ADAPTER	WALL MOUNT ADAPTER
TL301	SW301	SF301	LMY301		HDPM	EXM			
TL302	SW302	SF302			HDPM	EXM			
TL303	SW303	SF303	LMY303		HDPM	EXM*	SFC303		
TL304	SW304	SF304	LMY304		HDPM	EXM			
TL305	SW305	SF305		PM305					
TL307								RPA307	WMA307
TL307EX								RPA307EX	WMA307EX

* 6" EXM ONLY



2 Fixture Pole Bracket
(Shown: PB2-306)



3 Fixture Pole Bracket
(Shown: PB3-306)



3 Fixture Pole Bracket w/Cover
(Shown: PB3-306 & PB3C-306)



4 Fixture Pole Bracket
(Shown: PB4-306)

MODEL #	POLE BRACKET FOR 1 FIXTURE	POLE BRACKET FOR 2 FIXTURES @ 180°	POLE BRACKET COVER FOR 2 FIXTURES	POLE BRACKET FOR 3 FIXTURES @ 120°	POLE BRACKET COVER FOR 3 FIXTURES	POLE BRACKET FOR 4 FIXTURES @ 90°	POLE BRACKET COVER FOR 4 FIXTURES	DECORATIVE CAP (FOR USE W/O COVERS)
TL306	PB1-306	PB2-306	PB2C-306	PB3-306	PB3C-306	PB4-306	PB4C-306	PBCAP-306
TL306EX	PB1-306EX	PB2-306EX	PB2C-306EX	PB3-306EX	PB3C-306EX	PB3-306EX	PB4C-306EX	PBCAP-306EX

Specifications are subject to change without notice



SMALL, SQUARE, VANDAL RESISTANT CANOPY LIGHTING **TL401**

CONSTRUCTION

The Trace-lite TL401 Series features a durable, corrosion-resistant, die-cast aluminum enclosure with an architectural bronze or white powder coated finish. Enclosure is fully sealed and gasketed, and is Wet Location Listed for outdoor use and includes corrosion-resistant hardware. The TL401 features an internal, anodized aluminum reflector which provides ideal light distribution, and the lamp(s) are protected by a vandal-resistant, UV stabilized polycarbonate prismatic refractor.

ELECTRONICS

The Trace-lite TL401 Series uses a glazed porcelain socket pulse rated for 4KV or universal 4 pin socket. The TL401 is provided with either a high quality Electronic, High Power Factor or Reactor type ballast and 120, 120/277 or Multi-tap (120/208/240/277) volt input (depending on lamp type and wattage).

LAMPS

The Trace-lite TL401 Series is available with Compact Fluorescent (26 to 42 watt), Metal Halide (70 or 100 watt) or High Pressure Sodium (50 to 100 watt) lamps to fit any application.

INSTALLATION

The Trace-lite TL401 Series is ideal for mounting to any horizontal surface and features 1/2" NPT entry points for conduit access.

WARRANTY

Any housing component that fails due to manufacturer's defect is guaranteed for two years from time of shipment. Ballasts, Capacitors, and Igniters are warrantied for one year from time of shipment. Warranty does not apply to damages caused by improper installation, abuse, fire or acts of God. Lamp is not covered by manufacturer's warranty.



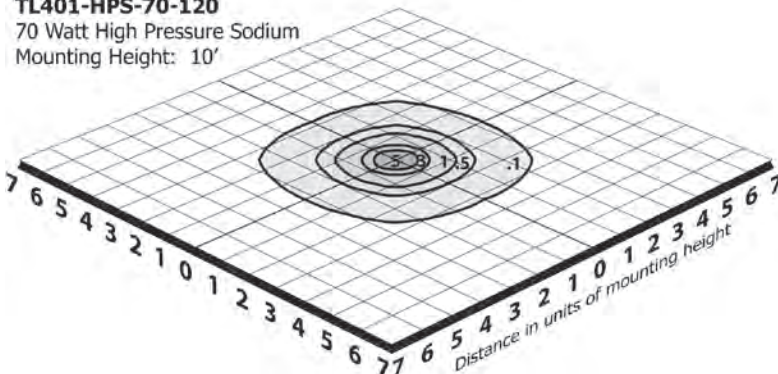
ORDERING INFORMATION (see page 143 for available accessories)

MODEL #	TYPE	WATTS	VOLTS	BALLAST
TL401-PL-26-120/277	PL	26	120/277	ELECTRONIC
TL401-PL-32-120/277	PL	32	120/277	ELECTRONIC
TL401-PL-42-120/277	PL	42	120/277	ELECTRONIC
TL401-MH-50-DT	MH	50	120/277	HX-HPF
TL401-MH-70-MT	MH	70	120/208/240/277	HX-HPF
TL401-HPS-50-120	HPS	50	120	REACTOR NPF
TL401-HPS-70-120	HPS	70	120	REACTOR NPF

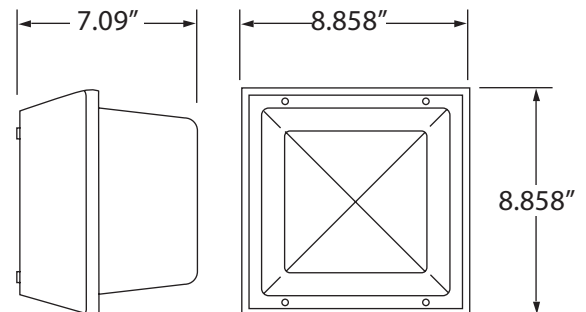
VANDAL LIGHTS

SAMPLE PHOTOMETRICS

TL401-HPS-70-120
70 Watt High Pressure Sodium
Mounting Height: 10'



DIMENSIONS



Approximate Weight: 12 lbs.



Specifications are subject to change without notice

TL402 LARGE, SQUARE, VANDAL RESISTANT CANOPY LIGHTING



CONSTRUCTION

The Trace-lite TL402 Series features a durable, corrosion-resistant, die-cast aluminum enclosure with an architectural bronze or white powder coated finish. Enclosure is fully sealed and gasketed, and is Wet Location Listed for outdoor use and includes corrosion-resistant hardware. The TL402 features an internal, anodized aluminum reflector which provides ideal light distribution, and the lamp(s) are protected by a vandal-resistant, UV stabilized polycarbonate prismatic refractor.

ELECTRONICS

The Trace-lite TL402 Series uses a glazed porcelain socket pulse rated for 4KV or universal 4 pin socket. The TL402 is provided with either a high quality Electronic, High Power Factor, CWA or Reactor type ballast (dependant on lamp type and wattage) and 120V, 120/277V, or Multi-tap (120/208/240/277V) input (dependant on lamp type and wattage).

LAMPS

The Trace-lite TL402 Series is available with Compact Fluorescent (26 to 84 watt), Metal Halide (70 or 175 watt), Pulse Start Metal Halide (175 watt) or High Pressure Sodium (100 or 150 watt) lamps to fit any application.

INSTALLATION

The Trace-lite TL402 Series is ideal for mounting to any horizontal surface and features 1/2" NPT entry points for conduit access.

WARRANTY

Any housing component that fails due to manufacturer's defect is guaranteed for two years from time of shipment. Ballasts, Capacitors, and Igniters are warrantied for one year from time of shipment. Warranty does not apply to damages caused by improper installation, abuse, fire or acts of God. Lamp is not covered by manufacturer's warranty.



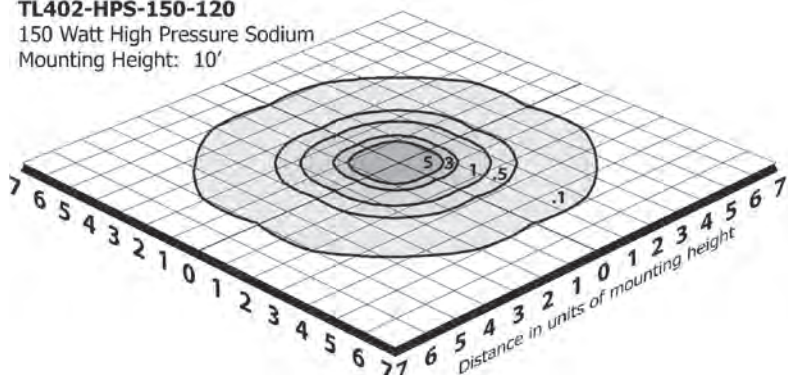
ORDERING INFORMATION (see page 143 for available accessories)

MODEL #	TYPE	WATTS	VOLTS	BALLAST
TL402-PL-26-120/277	PL	26	120/277	ELECTRONIC
TL402-PL-52-120/277	PL	26 x 2	120/277	ELECTRONIC
TL402-PL-32-120/277	PL	32	120/277	ELECTRONIC
TL402-PL-64-120/277	PL	32 x 2	120/277	ELECTRONIC
TL402-PL-42-120/277	PL	42	120/277	ELECTRONIC
TL402-PL-84-120/277	PL	42 x 2	120/277	ELECTRONIC
TL402-MH-70-MT	MH	70	120/208/240/277	HX-HPF
TL402-MH-100-MT	MH	100	120/208/240/277	HX-HPF
TL402-MH-150-MT	MH	150	120/208/240/277	HX-HPF
TL402-MH-175-MT	MH	175	120/208/240/277	CWA
TL402-PSMH-175-MT	PSMH	175	120/208/240/277	CWA
TL402-HPS-100-120	HPS	100	120	REACTOR NPF
TL402-HPS-150-120	HPS	150	120	REACTOR NPF
TL402-HPS-150-MT	HPS	150	120/208/240/277	HX-HPF

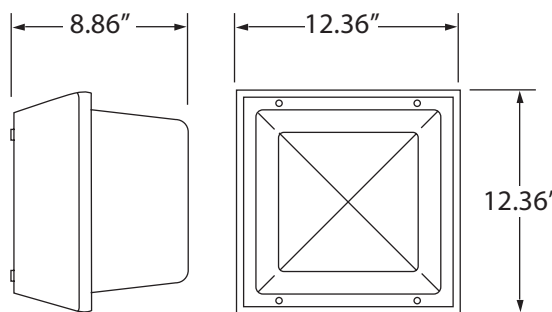
SAMPLE PHOTOMETRICS

TL402-HPS-150-120

150 Watt High Pressure Sodium
Mounting Height: 10'



DIMENSIONS



Approximate Weight: 18 lbs.

Specifications are subject to change without notice



SMALL, ROUND, VANDAL RESISTANT CANOPY LIGHTING **TL403**

CONSTRUCTION

The Trace-lite TL403 Series features a durable, corrosion-resistant, die-cast aluminum enclosure with an architectural bronze powder coated finish. Enclosure is fully sealed and gasketed, and is Wet Location Listed for outdoor use and includes corrosion-resistant hardware. The TL403 features an internal, anodized aluminum reflector which provides ideal light distribution, and the lamp(s) are protected by a vandal-resistant, UV stabilized polycarbonate prismatic refractor.

ELECTRONICS

The Trace-lite TL403 Series uses a glazed porcelain socket pulse rated for 4KV or universal 4 pin socket. The TL403 is provided with either a high quality Electronic, High Power Factor or Reactor type ballast and 120V, 120/277V, or Multi-tap (120/208/240/277V) input (dependant on lamp type and wattage).

LAMPS

The Trace-lite TL403 Series is available with Compact Fluorescent (26 watt), Metal Halide (50 to 100 watt), or High Pressure Sodium (50 to 100 watt) lamps to fit any application.

INSTALLATION

The Trace-lite TL403 Series is ideal for mounting to any horizontal surface and features 1/2" NPT entry points for conduit access.

WARRANTY

Any housing component that fails due to manufacturer's defect is guaranteed for two years from time of shipment. Ballasts, Capacitors, and Igniters are warrantied for one year from time of shipment. Warranty does not apply to damages caused by improper installation, abuse, fire or acts of God. Lamp is not covered by manufacturer's warranty.



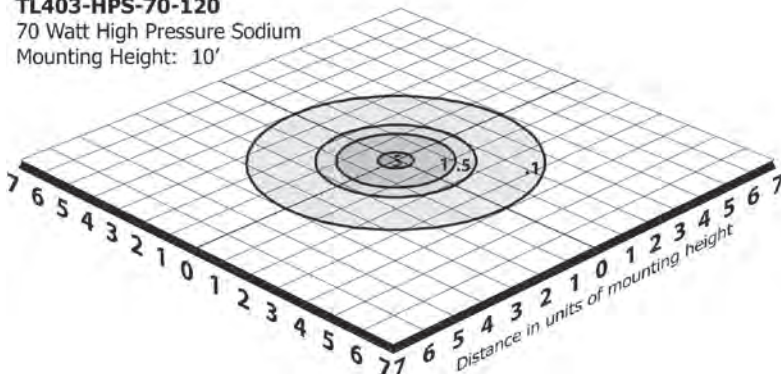
ORDERING INFORMATION (see page 143 for available accessories)

MODEL #	TYPE	WATTS	VOLTS	BALLAST
TL403-PL-26-120/277	PL	26	120/277	ELECTRONIC
TL403-MH-50-DT	MH	50	120/277	ELECTRONIC
TL403-MH-70-MT	MH	70	120/208/240/277	HX-HPF
TL403-MH-100-MT	MH	100	120/208/240/277	4X-HPF
TL403-HPS-50-120	HPS	50	120	REACTOR NPF
TL403-HPS-70-120	HPS	70	120	REACTOR NPF
TL403-HPS-100-120	HPS	100	120	REACTOR NPF

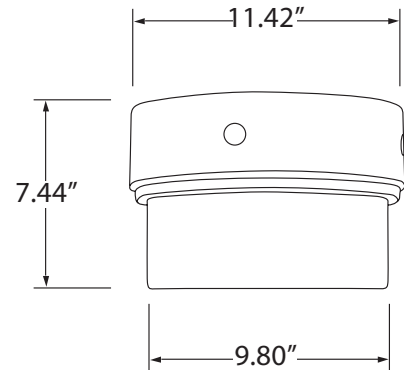
VANDAL LIGHTS

SAMPLE PHOTOMETRICS

TL403-HPS-70-120
70 Watt High Pressure Sodium
Mounting Height: 10'



DIMENSIONS



Approximate Weight: 12 lbs.



Specifications are subject to change without notice

TL404 LARGE, ROUND, VANDAL RESISTANT CANOPY LIGHTING



CONSTRUCTION

The Trace-lite TL404 Series features a durable, corrosion-resistant, die-cast aluminum enclosure with an architectural bronze powder coated finish. Enclosure is fully sealed and gasketed, and is Wet Location Listed for outdoor use and includes corrosion-resistant hardware. The TL404 features an internal, anodized aluminum reflector which provides ideal light distribution, and the lamp(s) are protected by a vandal-resistant, UV stabilized polycarbonate prismatic refractor.

ELECTRONICS

The Trace-lite TL404 Series uses a glazed porcelain socket pulse rated for 4KV or universal 4 pin socket. The TL404 is provided with either a high quality Electronic, High Power Factor or CWA type ballast (dependant on lamp type and wattage) and 120/277V or Multi-tap (120/208/240/277V) input (dependant on lamp type and wattage).

LAMPS

The Trace-lite TL404 Series is available with Compact Fluorescent (26 to 84 watt), Metal Halide (100 to 175 watt), Pulse Start Metal Halide (175 watt) or High Pressure Sodium (100 or 150 watt) lamps to fit any application.

INSTALLATION

The Trace-lite TL404 Series is ideal for mounting to any horizontal surface and features 1/2" NPT entry points for conduit access.

WARRANTY

Any housing component that fails due to manufacturer's defect is guaranteed for two years from time of shipment. Ballasts, Capacitors, and Ignitors are warranted for one year from time of shipment. Warranty does not apply to damages caused by improper installation, abuse, fire or acts of God. Lamp is not covered by manufacturer's warranty.



ORDERING INFORMATION (see page 143 for available accessories)

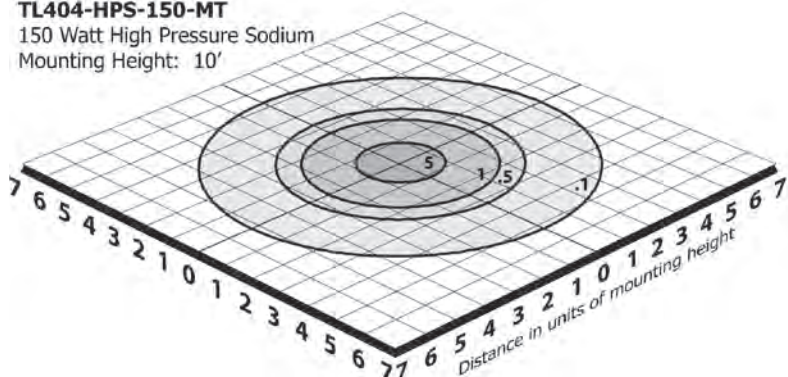
MODEL #	TYPE	WATTS	VOLTS	BALLAST
TL404-PL-26-120/277	PL	26	120/277	ELECTRONIC
TL404-PL-52-120/277	PL	26 x 2	120/277	ELECTRONIC
TL404-PL-32-120/277	PL	32	120/277	ELECTRONIC
TL404-PL-64-120/277	PL	32 x 2	120/277	ELECTRONIC
TL404-PL-42-120/277	PL	42	120/277	ELECTRONIC
TL404-PL-84-120/277	PL	42 x 2	120/277	ELECTRONIC
TL404-MH-100-MT	MH	100	120/208/240/277	HX-HPF
TL404-MH-150-MT	MH	150	120/208/240/277	HX-HPF
TL404-MH-175-MT	MH	175	120/208/240/277	CWA
TL404-PSMH-175-MT	PSMH	175	120/208/240/277	CWA
TL404-HPS-100-MT	HPS	100	120/208/240/277	HX-HPF
TL404-HPS-150-MT	HPS	150	120/208/240/277	HX-HPF

VANDAL LIGHTS

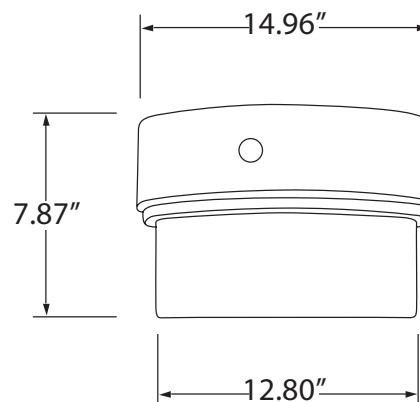
SAMPLE PHOTOMETRICS

TL404-HPS-150-MT

150 Watt High Pressure Sodium
Mounting Height: 10'



DIMENSIONS



Approximate Weight: 15 lbs.

Specifications are subject to change without notice



LARGE, SQUARE, VANDAL RESISTANT CANOPY LIGHTING **TL405**

CONSTRUCTION

The Trace-lite TL405 Series features a durable, corrosion-resistant, die-cast aluminum enclosure with a white powder coated finish. Enclosure is fully sealed and gasketed, and is Wet Location Listed for outdoor use and includes corrosion-resistant hardware. The TL405 features an internal, anodized aluminum reflector which provides ideal light distribution, and the lamp(s) are protected by a vandal-resistant, borosilicate glass prismatic refractor.

ELECTRONICS

The Trace-lite TL405 Series uses a glazed porcelain socket pulse rated for 4KV. The TL405 is provided with a high quality CWA type ballast and Multi-tap (120/208/240/277V) input.

LAMPS

The Trace-lite TL405 Series is available with Metal Halide, Pulse Start Metal Halide or High Pressure Sodium lamps in 250w to 400w configurations to fit any application.

INSTALLATION

The Trace-lite TL405 Series is ideal for mounting to any horizontal surface and features 1/2" NPT entry points for conduit access.

WARRANTY

Any housing component that fails due to manufacturer's defect is guaranteed for two years from time of shipment. Ballasts, Capacitors, and Ignitors are warranted for one year from time of shipment. Warranty does not apply to damages caused by improper installation, abuse, fire or acts of God. Lamp is not covered by manufacturer's warranty.



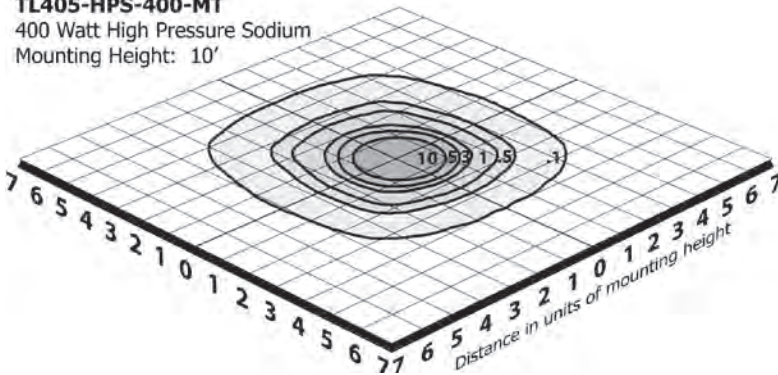
ORDERING INFORMATION (see page 143 for available accessories)

MODEL #	TYPE	WATTS	VOLTS	BALLAST
TL405-MH-250-MT	MH	250	120/208/240/277	CWA
TL405-MH-400-MT	MH	400	120/208/240/277	CWA
TL405-PSMH-250-MT	PSMH	250	120/208/240/277	CWA
TL405-PSMH-320-MT	PSMH	320	120/208/240/277	CWA
TL405-PSMH-350-MT	PSMH	350	120/208/240/277	CWA
TL405-PSMH-400-MT	PSMH	400	120/208/240/277	CWA
TL405-HPS-250-MT	HPS	250	120/208/240/277	CWA
TL405-HPS-400-MT	HPS	400	120/208/240/277	CWA

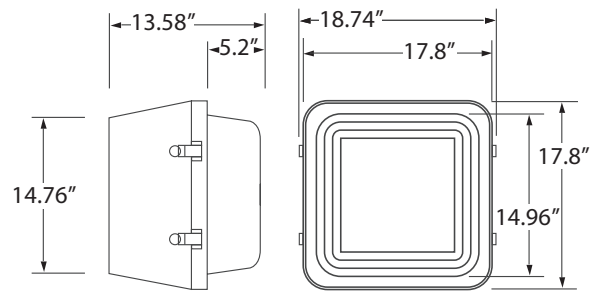
VANDAL LIGHTS

SAMPLE PHOTOMETRICS

TL405-HPS-400-MT
400 Watt High Pressure Sodium
Mounting Height: 10'



DIMENSIONS



Approximate Weight: 18 lbs.

Specifications are subject to change without notice

TL406 VANDAL RESISTANT GARAGE LIGHTER



CONSTRUCTION

The Trace-lite TL406 Series features a durable, corrosion-resistant, die-cast aluminum enclosure with an architectural bronze powder coated finish. Enclosure is fully sealed and gasketed, and is Wet Location Listed for outdoor use and includes corrosion-resistant hardware. The TL406 features an internal, anodized aluminum reflector which provides ideal light distribution, and the lamp(s) are protected by a vandal-resistant, polycarbonate prismatic refractor, which can be removed for access to lamp and ballast.

ELECTRONICS

The Trace-lite TL406 Series uses a glazed porcelain socket pulse rated for 4KV. The TL406 is provided with either a high quality Electronic, CWA, High Power Factor or Reactor type ballast (dependant on lamp type and wattage) and 120V or Multi-tap (120/208/240/277V) input (dependant on lamp type and wattage).

LAMPS

The Trace-lite TL406 Series is available with Compact Fluorescent (52 to 84 watt), Metal Halide (70 to 175 watt), Pulse Start Metal Halide (175 watt) or High Pressure Sodium (70 to 150 watt) lamps to fit any application.

INSTALLATION

The Trace-lite TL406 Series is ideal for mounting to any horizontal surface and features 1/2" NPT entry points for conduit access.

WARRANTY

Any housing component that fails due to manufacturer's defect is guaranteed for two years from time of shipment. Ballasts, Capacitors, and Igniters are warrantied for one year from time of shipment. Warranty does not apply to damages caused by improper installation, abuse, fire or acts of God. Lamp is not covered by manufacturer's warranty.

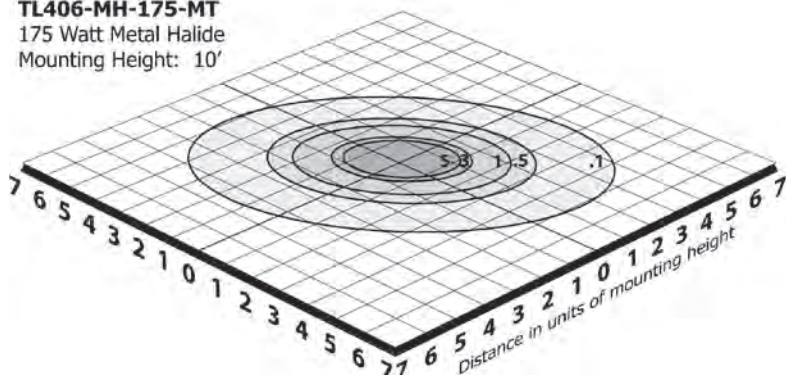


ORDERING INFORMATION (see page 143 for available accessories)

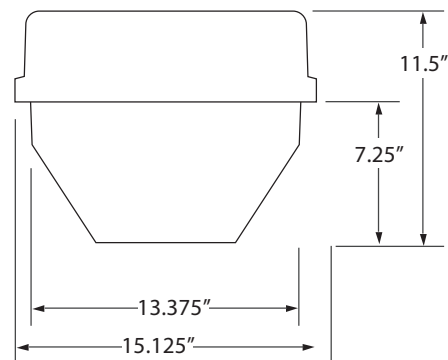
MODEL #	TYPE	WATTS	VOLTS	BALLAST
TL406-PL-52-120/277	PL	26 x 2	120/277	ELECTRONIC
TL406-PL-64-120/277	PL	32 x 2	120/277	ELECTRONIC
TL406-PL-84-120/277	PL	42 x 2	120/277	ELECTRONIC
TL406-MH-70-MT	MH	70	120/208/240/277	HX-HPF
TL406-MH-100-MT	MH	100	120/208/240/277	HX-HPF
TL406-MH-150-MT	MH	150	120/208/240/277	HX-HPF
TL406-MH-175-MT	MH	175	120/208/240/277	CWA
TL406-PSMH-175-MT	PSMH	175	120/208/240/277	CWA
TL406-HPS-70-120	HPS	70	120	REACTOR NPF
TL406-HPS-100-120	HPS	100	120	REACTOR NPF
TL406-HPS-150-120	HPS	150	120	REACTOR NPF
TL406-HPS-150-MT	HPS	150	120/208/240/277	HX-HPF

SAMPLE PHOTOMETRICS

TL406-MH-175-MT
175 Watt Metal Halide
Mounting Height: 10'



DIMENSIONS



Approximate Weight: 15 lbs.

Specifications are subject to change without notice



VANDAL RESISTANT GARAGE LIGHTER WITH UPLIGHT **TL407**

CONSTRUCTION

The Trace-lite TL407 Series features a durable, corrosion-resistant, die-cast aluminum enclosure with a white powder coated finish. Enclosure is fully sealed and gasketed, and is Wet Location Listed for covered ceiling mount and includes corrosion-resistant hardware. The TL407 features an internal, anodized aluminum reflector which provides ideal light distribution, and the lamp(s) are protected by UV stabilized, vandal-resistant, acrylic prismatic refractors, which also provide attractive uplighting. IP65 Rated.

ELECTRONICS

The Trace-lite TL407 Series uses a glazed porcelain socket pulse rated for 4KV. The TL407 is provided with either a high quality High Power Factor or Reactor type ballast (dependant on lamp type and wattage) and Multi-tap (120/208/240/277V) input. Restrike options with 150W quartz or 55W fluorescent lamps are available.

LAMPS

The Trace-lite TL407 Series is available with Metal Halide (100 to 175 watt), Pulse Start Metal Halide (200 watt) or High Pressure Sodium (100 to 150 watt) lamps to fit any application.

INSTALLATION

The Trace-lite TL407 Series is ideal for mounting to any horizontal surface and includes a mounting plate for easy, hands-free wiring. An optional swivel bracket/trunnion mount is also available.

WARRANTY

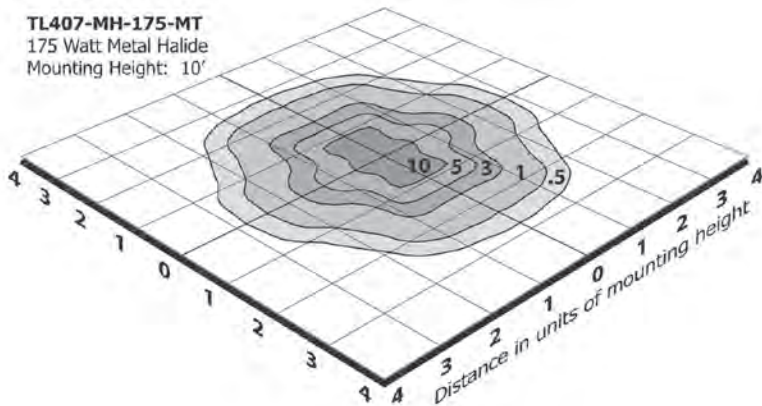
Any housing component that fails due to manufacturer's defect is guaranteed for two years from time of shipment. Ballasts, Capacitors, and Ignitors are warranted for one year from time of shipment. Warranty does not apply to damages caused by improper installation, abuse, fire or acts of God. Lamp is not covered by manufacturer's warranty.



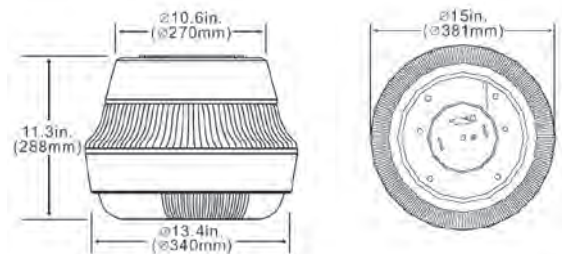
ORDERING INFORMATION (see page 143 for available accessories)

MODEL #	TYPE	WATTS	VOLTS	BALLAST
TL407-MH-100-MT	MH	100	120/208/240/277	HX-HPF
TL407-MH-175-MT	MH	175	120/208/240/277	HX-HPF
TL407-PSMH-200-MT	PSMH	200	120/208/240/277	HX-HPF
TL407-HPS-100-MT	HPS	100	120/208/240/277	REACTOR NPF
TL407-HPS-150-MT	HPS	150	120/208/240/277	REACTOR NPF

SAMPLE PHOTOMETRICS



DIMENSIONS



Approximate Weight: 15 lbs.



Specifications are subject to change without notice

TL408 VANDAL RESISTANT GARAGE LIGHTER WITH UPLIGHT



CONSTRUCTION

The Trace-lite TL408 Series features a durable, corrosion-resistant, die-cast aluminum enclosure with a gray powder coated finish. Enclosure is fully sealed and gasketed, and is ideal for covered ceiling mount. The TL408 features a two-piece aluminum reflector, the upper can be removed to create an attractive uplight. The lamp(s) are protected by a UV stabilized, vandal-resistant, polycarbonate prismatic refractor.

ELECTRONICS

The Trace-lite TL408 Series uses either a glazed porcelain socket pulse rated for 4KV, or a universal 4 pin socket. The TL408 is provided with either a high quality High Power Factor, CWA or Reactor type ballast (dependant on lamp type and wattage) and 120VAC, 120/277VAC or Multi-tap (120/208/240/277V) input. Restrike option with 150W quartz fluorescent lamp is available.

LAMPS

The Trace-lite TL408 Series is available with Compact Fluorescent (52 to 168 watt), Metal Halide (50 to 175 watt), Pulse Start Metal Halide (175 watt) or High Pressure Sodium (35 to 150 watt) lamps to fit any application.

INSTALLATION

The Trace-lite TL408 Series is ideal for mounting to any horizontal surface and includes a mounting plate for easy, hands-free wiring to any standard 4" junction box.

WARRANTY

Any housing component that fails due to manufacturer's defect is guaranteed for two years from time of shipment. Ballasts, Capacitors, and Ignitors are warranted for one year from time of shipment. Warranty does not apply to damages caused by improper installation, abuse, fire or acts of God. Lamp is not covered by manufacturer's warranty.



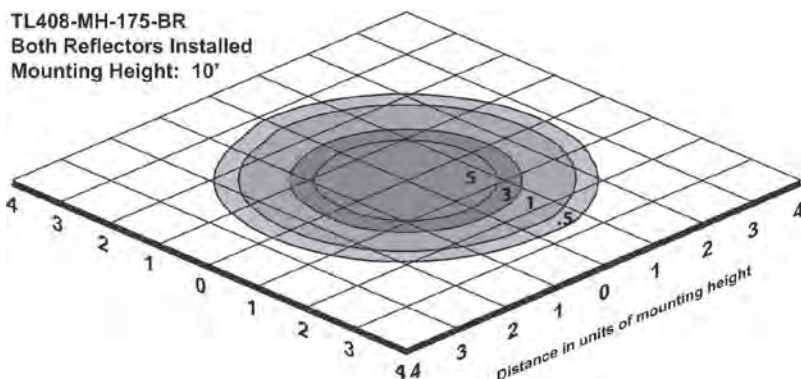
ORDERING INFORMATION (see page 143 for available accessories)

MODEL #	TYPE	WATTS	VOLTS	BALLAST
TL408-PL-52-120/277	PL	26 x 2	120/277	ELECTRONIC
TL408-PL-64-120/277	PL	32 x 2	120/277	ELECTRONIC
TL408-PL-84-120/277	PL	42 x 2	120/277	ELECTRONIC
TL408-PL-104-120/277	PL	26 x 4	120/277	ELECTRONIC
TL408-PL-128-120/277	PL	32 x 4	120/277	ELECTRONIC
TL408-PL-168-120/277	PL	42 x 4	120/277	ELECTRONIC
TL408-MH-50-DT	MH	50	120/277	HX-HPF
TL408-MH-70-MT	MH	70	120/208/240/277	HX-HPF
TL408-MH-100-MT	MH	100	120/208/240/277	HX-HPF
TL408-MH-150-MT	MH	150	120/208/240/277	HX-HPF
TL408-MH-175-MT	MH	175	120/208/240/277	CWA
TL408-PSMH-175-MT	PSMH	175	120/208/240/277	CWA
TL408-HPS-35-120	HPS	35	120	REACTOR NPF
TL408-HPS-50-120	HPS	50	120	REACTOR NPF
TL408-HPS-70-120	HPS	70	120	REACTOR NPF
TL408-HPS-100-120	HPS	100	120	REACTOR NPF
TL408-HPS-150-120	HPS	150	120	REACTOR NPF
TL408-HPS-50-DT	HPS	50	120/277	HX-HPF
TL408-HPS-70-MT	HPS	70	120/208/240/277	HX-HPF
TL408-HPS-100-MT	HPS	100	120/208/240/277	HX-HPF
TL408-HPS-150-MT	HPS	150	120/208/240/277	HX-HPF

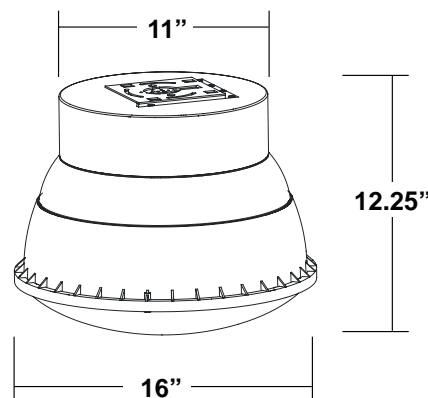
VANDAL LIGHTS

SAMPLE PHOTOMETRICS

TL408-MH-175-BR
Both Reflectors Installed
Mounting Height: 10'



DIMENSIONS



Approximate Weight: 17 lbs.

Specifications are subject to change without notice

ELECTRICAL OPTIONS

MODEL #	LINE CORD w/ STRIPPED END	LINE CORD w/ 120V PLUG	LINE CORD w/ TWIST LOCK (120/240/277V)	LINE CORD w/240V TWIST LOCK	REPLACEMENT LENS	PHOTO CONTROL 120V	PHOTO CONTROL 208-277V	QUARTZ RESTRIKE 150W	FLUORESCDNT RESTRIKE 55W CIRCLINE
TL401					RL401	PC1	PC2		
TL402					RL402	PC1	PC2	QR150	
TL403					RL403	PC1	PC2		
TL404					RL404	PC1	PC2		
TL405					RL405	PC1	PC2	QR150	
TL406	LC3	LC3120	LC3120L	LC3240L	RL406	PC1	PC2	QR150	
TL407					RLT407 (LOWER) RLB407 (UPPER)			QR150	FR55
TL408								QR150	

MOUNTING & REFLECTOR OPTIONS

MODEL #	TAMPER RESISTANT SCREWS	SWIVEL BRACKET	SWIVEL PENDANT FOR ROUND BOX	SWIVEL PENDANT FOR SQUARE BOX	MOUNTING ARMS (6", 10", 12", 18")	SMOOTH REFLECTOR	DIMPLED REFLECTOR
TL406			SWPS406	SWPR406		PRS406	PRD406
TL407	TS407	SW407					

VANDAL LIGHTS

Specifications are subject to change without notice

TL501 HIGH BAY LIGHTING - 16" OR 22" ALUMINUM REFLECTOR



CONSTRUCTION

The Trace-lite TL501 Series features a durable, corrosion-resistant, die-cast aluminum ballast enclosure with an white powder coated finish. The ballast compartment features either external, heat-dissipating fins or leaves ballast core exposed to extend ballast life.

The spun anodized aluminum 16" or 22" reflector provides smooth even illumination. Other reflector options are available.

ELECTRONICS

The Trace-lite TL501 Series uses an open-rated (pink) porcelain socket pulse rated for 4KV. The TL501 is provided with a high quality CWA type ballast and Multi-tap (120/208/240/277VAC) or optional 480VAC input.

LAMPS

The Trace-lite TL501 Series is available with Metal Halide (250 or 400 watt), Pulse Start Metal Halide (250, 320, 350, 400 watt) or High Pressure Sodium (250 or 400 watt) lamps to fit any application.

INSTALLATION

The Trace-lite TL501 Series features an easy-access wiring compartment, and comes complete with mounting hook. Optional pendant mount and line cord kits are also available.

WARRANTY

Any housing component that fails due to manufacturer's defect is guaranteed for two years from time of shipment. Ballasts, Capacitors, and Igniters are warranted for one year from time of shipment. Warranty does not apply to damages caused by improper installation, abuse, fire or acts of God. Lamp is not covered by manufacturer's warranty.



**OPEN RATED
SOCKET INCLUDED!**

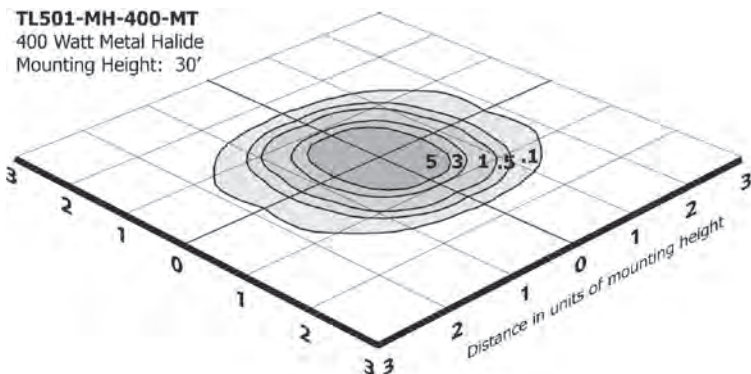


ORDERING INFORMATION (see page 153 for available accessories)

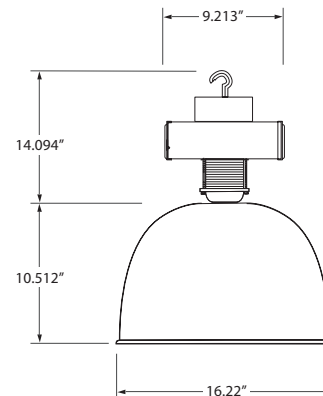
MODEL #	TYPE	WATTS	VOLTS	BALLAST
TL501-16-MH-250-MT	MH	250	120/208/240/277	CWA
TL501-16-MH-400-MT	MH	400	120/208/240/277	CWA
TL501-16-PSMH-250-MT	PSMH	250	120/208/240/277	CWA
TL501-16-PSMH-320-MT	PSMH	320	120/208/240/277	CWA
TL501-16-PSMH-350-MT	PSMH	350	120/208/240/277	CWA
TL501-16-PSMH-400-MT	PSMH	400	1120/208/240/277	CWA
TL501-16-HPS-250-MT	HPS	250	120/208/240/277	CWA
TL501-16-HPS-400-MT	HPS	400	120/208/240/277	CWA
TL501-22-MH-250-MT	MH	250	120/208/240/277	CWA
TL501-22-MH-400-MT	MH	400	120/208/240/277	CWA
TL501-22-PSMH-250-MT	PSMH	250	120/208/240/277	CWA
TL501-22-PSMH-320-MT	PSMH	320	120/208/240/277	CWA
TL501-22-PSMH-350-MT	PSMH	350	120/208/240/277	CWA
TL501-22-PSMH-400-MT	PSMH	400	120/208/240/277	CWA
TL501-22-HPS-250-MT	HPS	250	120/208/240/277	CWA
TL501-22-HPS-400-MT	HPS	400	120/208/240/277	CWA

HIGH / LOW BAY

SAMPLE PHOTOMETRICS



DIMENSIONS



Approximate Weight: 12 lbs

Specifications are subject to change without notice



HIGH BAY LIGHTING - 16" ACRYLIC REFLECTOR TL502

CONSTRUCTION

The Trace-lite TL502 Series features a durable, corrosion-resistant, die-cast aluminum ballast enclosure with an white powder coated finish. The ballast compartment features either external, heat-dissipating fins or leaves ballast core exposed to extend ballast life. The prismatic acrylic 16" reflector provides smooth even illumination.

ELECTRONICS

The Trace-lite TL502 Series uses an open-rated (pink) porcelain socket pulse rated for 4KV. The TL502 is provided with a high quality CWA type ballast and Multi-tap (120/208/240/277VAC) or optional 480VAC input.

LAMPS

The Trace-lite TL502 Series is available with Metal Halide (250 or 400 watt), Pulse Start Metal Halide (250, 320, 350, 400 watt) or High Pressure Sodium (250 or 400 watt) lamps to fit any application.

INSTALLATION

The Trace-lite TL502 Series features an easy-access wiring compartment, and comes complete with mounting hook. Optional pendant mount and line cord kits are also available.

WARRANTY

Any housing component that fails due to manufacturer's defect is guaranteed for two years from time of shipment. Ballasts, Capacitors, and Igniters are warrantied for one year from time of shipment. Warranty does not apply to damages caused by improper installation, abuse, fire or acts of God. Lamp is not covered by manufacturer's warranty.

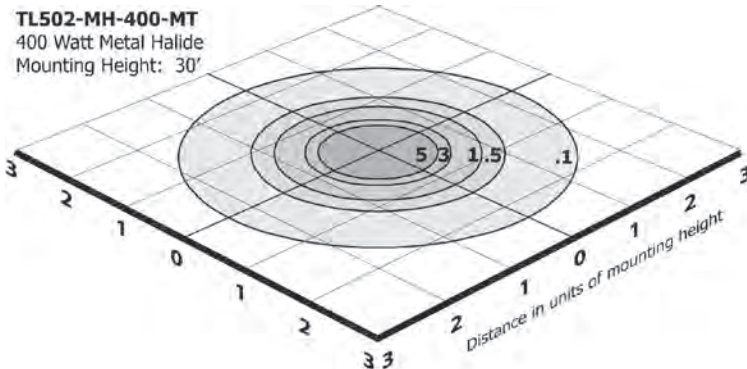


**OPEN RATED
SOCKET INCLUDED!**

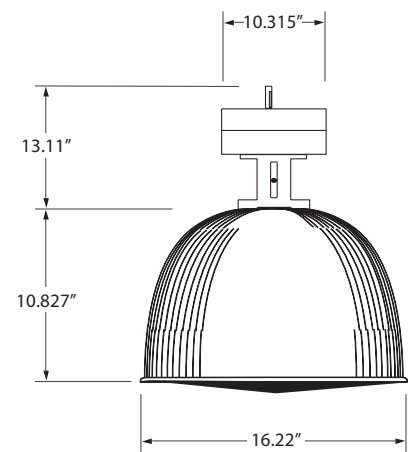
ORDERING INFORMATION (see page 153 for available accessories)

MODEL #	TYPE	WATTS	VOLTS	BALLAST
TL502-16-MH-250-MT	MH	250	120/208/240/277	CWA
TL502-16-MH-400-MT	MH	400	120/208/240/277	CWA
TL502-16-PSMH-250-MT	PSMH	250	120/208/240/277	CWA
TL502-16-PSMH-320-MT	PSMH	320	120/208/240/277	CWA
TL502-16-PSMH-350-MT	PSMH	350	120/208/240/277	CWA
TL502-16-PSMH-400-MT	PSMH	400	120/208/240/277	CWA
TL502-16-HPS-250-MT	HPS	250	120/208/240/277	CWA
TL502-16-HPS-400-MT	HPS	400	120/208/240/277	CWA

SAMPLE PHOTOMETRICS



DIMENSIONS



Approximate Weight: 15 lbs

HIGH / LOW BAY

Specifications are subject to change without notice

TL503 HIGH BAY LIGHTING - 22" ACRYLIC REFLECTOR



CONSTRUCTION

The Trace-lite TL503 Series features a durable, corrosion-resistant, die-cast aluminum ballast enclosure with a white powder coated finish. The ballast compartment features either external, heat-dissipating fins or leaves ballast core exposed to extend ballast life. The prismatic acrylic 22" reflector provides smooth even illumination.

ELECTRONICS

The Trace-lite TL503 Series uses an open-rated (pink) porcelain socket pulse rated for 4KV. The TL503 is provided with a high quality CWA type ballast and Multi-tap (120/208/240/277V) or optional input.

LAMPS

The Trace-lite TL503 Series is available with Metal Halide (250 or 400 watt), Pulse Start Metal Halide (250, 320, 350 or 400 watt) or High Pressure Sodium (250 or 400 watt) lamps to fit any application.

INSTALLATION

The Trace-lite TL503 Series features an easy-access wiring compartment, and comes complete with mounting hook. Optional pendant mount and line cord kits are also available.

WARRANTY

Any housing component that fails due to manufacturer's defect is guaranteed for two years from time of shipment. Ballasts, Capacitors, and Ignitors are warranted for one year from time of shipment. Warranty does not apply to damages caused by improper installation, abuse, fire or acts of God. Lamp is not covered by manufacturer's warranty.



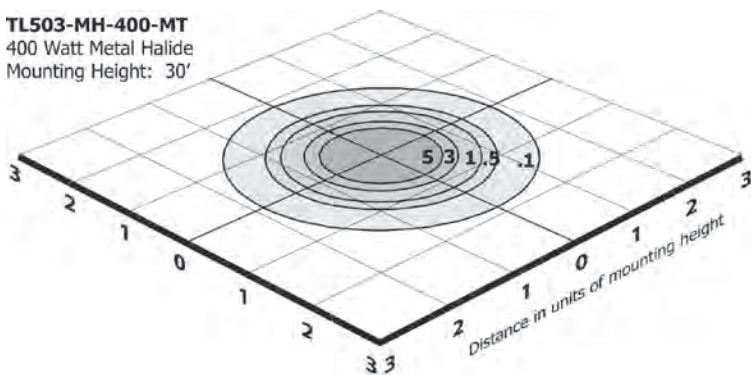
**OPEN RATED
SOCKET INCLUDED!**

ORDERING INFORMATION (see page 153 for available accessories)

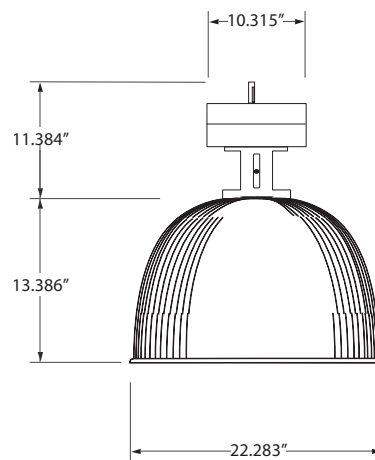
MODEL #	TYPE	WATTS	VOLTS	BALLAST
TL503-22-MH-250-MT	MH	250	120/208/240/277	CWA
TL503-22-MH-400-MT	MH	400	120/208/240/277	CWA
TL503-22-PSMH-250-MT	PSMH	250	120/208/240/277	CWA
TL503-22-PSMH-320-MT	PSMH	320	120/208/240/277	CWA
TL503-22-PSMH-350-MT	PSMH	350	120/208/240/277	CWA
TL503-22-PSMH-400-MT	PSMH	400	120/208/240/277	CWA
TL503-22-HPS-250-MT	HPS	250	120/208/240/277	CWA
TL503-22-HPS-400-MT	HPS	400	120/208/240/277	CWA

SAMPLE PHOTOMETRICS

TL503-MH-400-MT
400 Watt Metal Halide
Mounting Height: 30'



DIMENSIONS



Approximate Weight: 18 lbs

Specifications are subject to change without notice

HIGH / LOW BAY



LOW BAY LIGHTING - 16" OR 22" ALUMINUM REFLECTOR TL504

CONSTRUCTION

The Trace-lite TL504 Series features a durable, corrosion-resistant, die-cast aluminum ballast enclosure with a white powder coated finish. The ballast compartment features either external, heat-dissipating fins or leaves the ballast core exposed to extend ballast life.

The anodized spun aluminum reflector provides smooth even illumination, and is available in 16" and 22" versions.

ELECTRONICS

The Trace-lite TL504 Series uses a porcelain socket pulse rated for 4KV. The TL504 is provided with a high quality CWA type ballast and Multi-tap (120/208/240/277VAC) or optional 480VAC input.

LAMPS

The Trace-lite TL504 Series is available with Metal Halide (250 or 400 watt), Pulse Start Metal Halide (250, 320, 350 or 400 watt) or High Pressure Sodium (250 or 400 watt) lamps to fit any application.

INSTALLATION

The Trace-lite TL504 Series features an easy-access wiring compartment, and comes complete with mounting hook. Optional pendant mount and line cord kits are also available.

WARRANTY

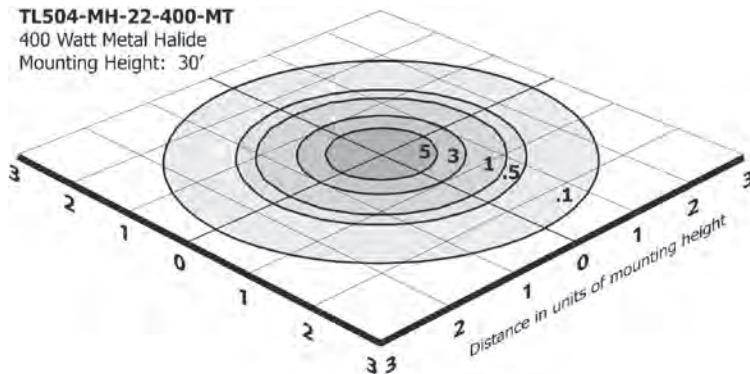
Any housing component that fails due to manufacturer's defect is guaranteed for two years from time of shipment. Ballasts, Capacitors, and Igniters are warranted for one year from time of shipment. Warranty does not apply to damages caused by improper installation, abuse, fire or acts of God. Lamp is not covered by manufacturer's warranty.



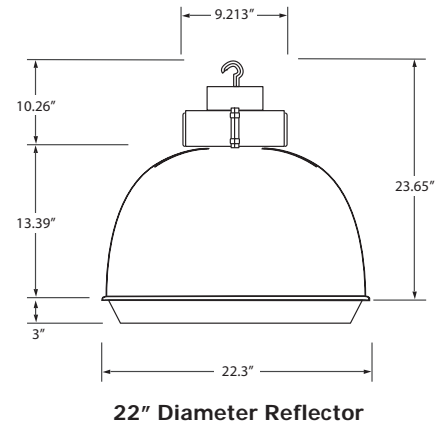
ORDERING INFORMATION (see page 153 for available accessories)

MODEL #	SIZE	TYPE	WATTS	VOLTS	BALLAST
TL504-16-MH-250-MT	16"	MH	250	120/208/240/277	CWA
TL504-16-PSMH-250-MT	16"	PSMH	250	120/208/240/277	CWA
TL504-16-HPS-250-MT	16"	HPS	250	120/208/240/277	CWA
TL504-22-MH-250-MT	22"	MH	250	120/208/240/277	CWA
TL504-22-MH-400-MT	22"	MH	400	120/208/240/277	CWA
TL504-22-PSMH-250-MT	22"	PSMH	250	120/208/240/277	CWA
TL504-22-PSMH-320-MT	22"	PSMH	320	120/208/240/277	CWA
TL504-22-PSMH-350-MT	22"	PSMH	350	120/208/240/277	CWA
TL504-22-PSMH-400-MT	22"	PSMH	400	120/208/240/277	CWA
TL504-22-HPS-250-MT	22"	HPS	250	120/208/240/277	CWA
TL504-22-HPS-400-MT	22"	HPS	400	120/208/240/277	CWA

SAMPLE PHOTOMETRICS



DIMENSIONS



Approximate Weight: 20 lbs

HIGH / LOW BAY

TL505 LOW BAY LIGHTING - 16" OR 22" ACRYLIC REFLECTOR



CONSTRUCTION

The Trace-lite TL505 Series features a durable, corrosion-resistant, die-cast aluminum ballast enclosure with a white powder coated finish. The ballast compartment features either external, heat-dissipating fins or leaves ballast core exposed to extend ballast life.

The prismatic acrylic 16" or 22" reflector provides smooth even illumination.

ELECTRONICS

The Trace-lite TL505 Series uses a porcelain socket pulse rated for 4KV. The TL505 is provided with a high quality CWA type ballast and Multi-tap (120/208/240/277VAC) or optional 480VAC input.

LAMPS

The Trace-lite TL505 Series is available with Metal Halide (250 or 400 watt), Pulse Start Metal Halide (250, 320, 350 or 400 watt) or High Pressure Sodium (250 or 400 watt) lamps to fit any application.

INSTALLATION

The Trace-lite TL505 Series features an easy-access wiring compartment, and comes complete with mounting hook. Optional pendant mount and line cord kits are also available.

WARRANTY

Any housing component that fails due to manufacturer's defect is guaranteed for two years from time of shipment. Ballasts, Capacitors, and Ignitors are warranted for one year from time of shipment. Warranty does not apply to damages caused by improper installation, abuse, fire or acts of God. Lamp is not covered by manufacturer's warranty.

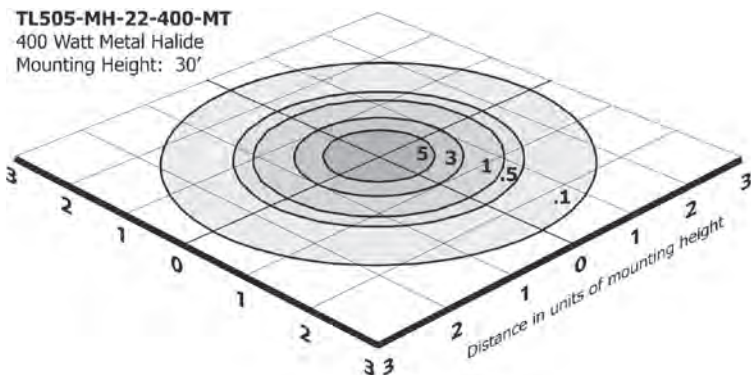


ORDERING INFORMATION (see page 153 for available accessories)

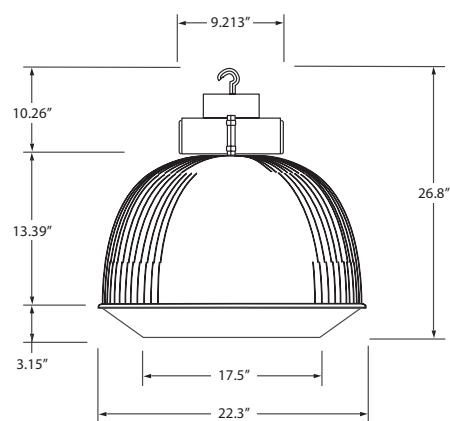
MODEL #	TYPE	WATTS	VOLTS	BALLAST
TL505-16-MH-250-MT	MH	250	120/208/240/277	CWA
TL505-16-PSMH-250-MT	PSMH	250	120/208/240/277	CWA
TL505-16-HPS-250-MT	HPS	250	120/208/240/277	CWA
TL505-22-MH-250-MT	MH	250	120/208/240/277	CWA
TL505-22-MH-400-MT	MH	400	120/208/240/277	CWA
TL505-22-PSMH-250-MT	PSMH	250	120/208/240/277	CWA
TL505-22-PSMH-320-MT	PSMH	320	120/208/240/277	CWA
TL505-22-PSMH-350-MT	PSMH	350	120/208/240/277	CWA
TL505-22-PSMH-400-MT	PSMH	400	120/208/240/277	CWA
TL505-22-HPS-250-MT	HPS	250	120/208/240/277	CWA
TL505-22-HPS-400-MT	HPS	400	120/208/240/277	CWA

SAMPLE PHOTOMETRICS

TL505-MH-22-400-MT
400 Watt Metal Halide
Mounting Height: 30'



DIMENSIONS



Approximate Weight: 23 lbs

Specifications are subject to change without notice

HIGH / LOW BAY



CONSTRUCTION

The Trace-lite TL506 Series features a durable, corrosion-resistant, die-cast aluminum ballast enclosure with an white powder coated finish. The ballast compartment features either external, heat-dissipating fins or leaves ballast core exposed to extend ballast life. Lamp is protected by an OSHA approved stainless steel wire guard.

ELECTRONICS

The Trace-lite TL506 Series uses a porcelain socket pulse rated for 4KV, an optional open-rated (pink) socket is available. The TL506 is provided with a high quality CWA type ballast and Multi-tap (120/208/240/277VAC) or optional 480VAC input.

LAMPS

The Trace-lite TL506 Series is available with Metal Halide (250 or 400 watt), Pulse Start Metal Halide (250, 320, 350 or 400 watt) or High Pressure Sodium

(250 or 400 watt) lamps to fit any application.

INSTALLATION

The Trace-lite TL506 Series features an easy-access wiring compartment, and comes complete with mounting hook. Optional line cord kits are also available.

WARRANTY

Any housing component that fails due to manufacturer's defect is guaranteed for two years from time of shipment. Ballasts, Capacitors, and Ignitors are warrantied for one year from time of shipment. Warranty does not apply to damages caused by improper installation, abuse, fire or acts of God. Lamp is not covered by manufacturer's warranty.

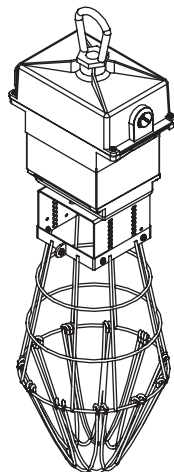


ORDERING INFORMATION (see page 153 for available accessories)

MODEL #	TYPE	WATTS	VOLTS	BALLAST
TL506-MH-250-MT	MH	250	120/208/240/277	CWA
TL506-MH-400-MT	MH	400	120/208/240/277	CWA
TL506-PSMH-250-MT	PSMH	250	120/208/240/277	CWA
TL506-PSMH-320-MT	PSMH	320	120/208/240/277	CWA
TL506-PSMH-350-MT	PSMH	350	120/208/240/277	CWA
TL506-PSMH-400-MT	PSMH	400	120/208/240/277	CWA
TL506-HPS-250-MT	HPS	250	120/208/240/277	CWA
TL506-HPS-400-MT	HPS	400	120/208/240/277	CWA

DIMENSIONS

7.5" W x 4.25" D X 26" H
Approximate Weight: 10 lbs



HIGH / LOW BAY

Specifications are subject to change without notice

TL507 HIGH BAY LIGHTING - 22" ALUMINUM REFLECTOR



CONSTRUCTION

The Trace-lite TL507 Series features a durable, corrosion-resistant, die-cast aluminum ballast enclosure with an white powder coated finish. The ballast compartment features either external, heat-dissipating fins or leaves ballast core exposed to extend ballast life.

The spun anodized aluminum 22" reflector provides smooth even illumination. Other reflector options are available.

ELECTRONICS

The Trace-lite TL507 Series uses a porcelain socket pulse rated for 4KV. The TL507 is provided with a high quality CWA type ballast and Multi-tap (120/208/240/277VAC) or optional 480VAC input.

LAMPS

The Trace-lite TL507 Series is available with Metal Halide (1000 watt), Pulse Start Metal Halide (750 or 1000 watt), or High Pressure Sodium (1000 watt) lamps to fit any application.

INSTALLATION

The Trace-lite TL507 Series features an easy-access wiring compartment, and comes complete with mounting hook. Optional pendant mount and line cord kits are also available.

WARRANTY

Any housing component that fails due to manufacturer's defect is guaranteed for two years from time of shipment. Ballasts, Capacitors, and Ignitors are warranted for one year from time of shipment. Warranty does not apply to damages caused by improper installation, abuse, fire or acts of God. Lamp is not covered by manufacturer's warranty.

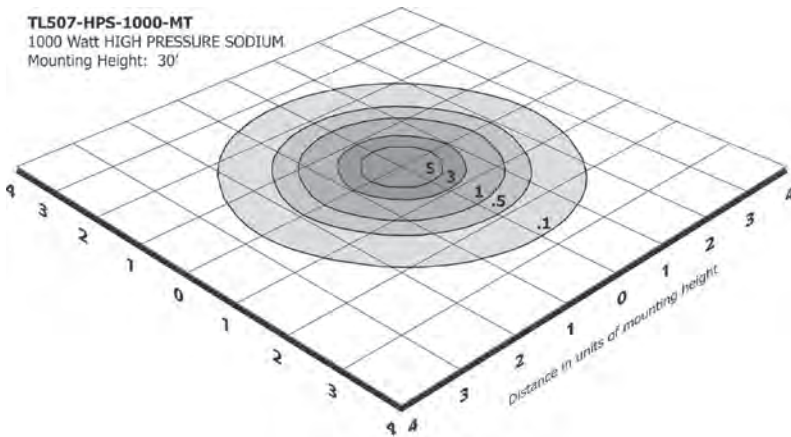


ORDERING INFORMATION (see page 153 for available accessories)

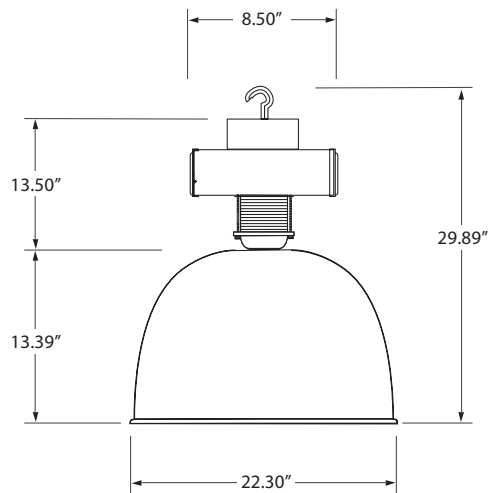
MODEL #	TYPE	WATTS	VOLTS	BALLAST
TL507-22-MH-1000-MT	MH	1000	120/208/240/277	CWA
TL507-22-PSMH-750-MT	PSMH	750	120/208/240/277	CWA
TL507-22-PSMH-1000-MT	PSMH	1000	120/208/240/277	CWA
TL507-22-HPS-1000-MT	HPS	1000	120/208/240/277	CWA

SAMPLE PHOTOMETRICS

TL507-HPS-1000-MT
1000 Watt HIGH PRESSURE SODIUM
Mounting Height: 30'



DIMENSIONS



Approximate Weight: 25 lbs



Specifications are subject to change without notice

HIGH / LOW BAY

FEATURES & BENEFITS

- Saves up to 50% in energy costs vs. older T12 and Metal Halide lamps
- Occupancy sensors available for maximum energy control
- Comes standard with quick disconnect - meets 2008 code requirements!
- Hinged ballast access compartment
- Superior lumen performance, 95% reflective MIRO 4 surface produces the maximum usable lumens with the least amount of glare
- Low-profile housing design provides for maximum space utilization and keeps it safely away from material handling equipment
- Easy to install and maintain, all fixtures include hooks and chain mounting kit

CONSTRUCTION

The Trace-lite TL508 Series features a durable, die formed heavy gauge steel with baked high-gloss enamel finish applied post fabrication. Multiple knock-out locations and access plate provided for quick and simple installation.

The reflector is constructed of highly specular anodized MIRO 4 aluminum providing 95% reflectance providing the maximum usable lumens with the least amount of glare.

ELECTRONICS

A 120/277VAC U.L. Listed programmed start electronic ballast is standard. Ballast is thermally protected and has automatic reset, eliminating lamp flicker and providing instant on and instant restrike while maintaining light levels. Optional emergency ballast is available.



LAMPS

The Trace-lite TL508 Series uses either 4 or 6, 54W T5HO or 32W T8 type lamps, providing long life, energy saving and excellent color rendition.

INSTALLATION

Surface and chain mounting kit with hooks supplied standard, optional stem mounting available.

WARRANTY

Any housing component that fails due to manufacturer's defect is guaranteed for two years from time of shipment. Ballasts, Capacitors, and Ignitors are warranted for one year from time of shipment. Warranty does not apply to damages caused by improper installation, abuse, fire or acts of God. Lamp is not covered by manufacturer's warranty.

ORDERING INFORMATION (see page 152 for dimensions and zonal cavity coefficients)

MODEL #	LAMPS	VOLTS	BALLAST
TL508-4-T5HO-120/277	4-Lamp, 54W, T5HO	120/277	ELECTRONIC
TL508-6-T5HO-120/277	6-Lamp, 54W, T5HO	120/277	ELECTRONIC
TL508-4-T8-120/277	4-Lamp, 32W, T8	120/277	ELECTRONIC
TL508-6-T8-120/277	6-Lamp, 32W, T8	120/277	ELECTRONIC

ACCESSORIES

MODEL #	DESCRIPTION
XEB-XX	Emergency Ballast, Consult Factory for Applications
OC508	Occupancy Sensor
WG4-508	Wire Guard for 4 Lamp Fixtures
WG6-508	Wire Guard for 6 Lamp Fixtures
LC6-508	6' Line Cord w/Plug, 18 AWG, 3 Conductor Plug

T5HO & T8 LAMPS (Supplied separately)

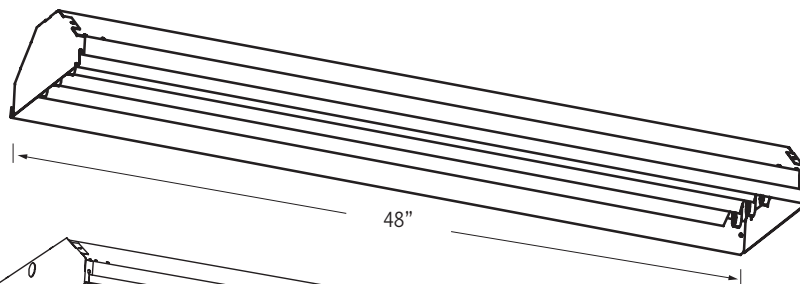
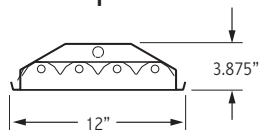
MODEL #	DESCRIPTION
T5HO-54W-41K	T5HO lamp, 4100 K color, 82 CRI
T5HO-54W-50K	T5HO lamp, 5000 K color, 82 CRI
T8-32W-41K	T8 lamp, 4100 K color, 80 CRI
T8-32W-41K	T8 lamp, 5000 K color, 80 CRI



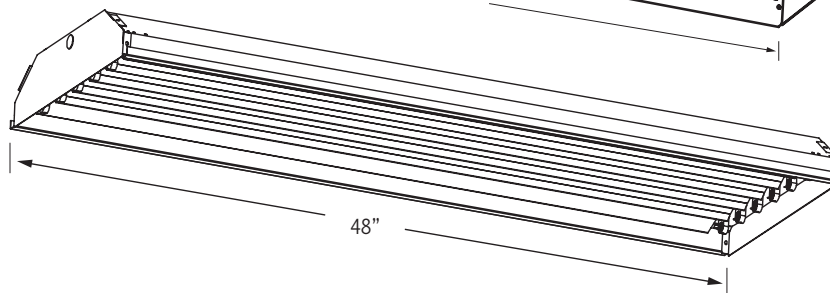
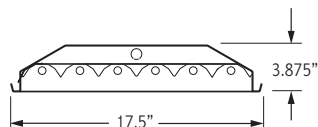
Specifications are subject to change without notice

DIMENSIONS

4-lamp



6-lamp



ZONAL CAVITY COEFFICIENTS

RCR

Lamp	4-Lamp, 54-Watt, T5HO fixture - 5000 Lumens								
RC	.80			.50			.30		
Wall Refl	.70	.50	.30	.50	.30	.10	.50	.30	.10
0	1.19	1.19	1.19	1.08	1.08	1.08	1.02	1.02	1.02
1	1.11	1.06	1.03	0.98	0.95	0.93	0.93	0.91	0.89
2	1.03	0.95	0.89	0.88	0.84	0.80	0.84	0.80	0.77
3	0.95	0.85	0.78	0.78	0.73	0.68	0.76	0.71	0.67
4	0.88	0.77	0.69	0.72	0.65	0.60	0.69	0.63	0.59
5	0.81	0.70	0.61	0.65	0.59	0.54	0.62	0.56	0.52
6	0.76	0.64	0.56	0.60	0.53	0.47	0.58	0.52	0.47
7	0.71	0.59	0.50	0.54	0.48	0.43	0.54	0.48	0.43
8	0.67	0.54	0.45	0.51	0.44	0.39	0.50	0.44	0.40
9	0.63	0.50	0.42	0.48	0.42	0.37	0.46	0.40	0.35
10	0.60	0.46	0.39	0.44	0.38	0.33	0.43	0.37	0.33
Zone	Lumens			% Lamp			% Fixt		
0-30	8380			41.9			38.2		
0-40	12460			62.3			56.7		
0-60	19220			96.1			87.5		
0-90	21700			108.5			98.8		
90-180	260			1.3			1.2		
0-180	21960			109.8			100.0		
Spacing criteria: Across = 0.9; Along = 1.3									

RCR

Lamp	6-Lamp, 54-Watt, T5HO fixture - 5000 Lumens								
RC	.80			.50			.30		
Wall Refl	.70	.50	.30	.50	.30	.10	.50	.30	.10
0	1.18	1.18	1.18	1.09	1.09	1.09	1.03	1.03	1.03
1	1.10	1.05	1.01	0.97	0.94	0.91	0.92	0.90	0.88
2	1.01	0.93	0.87	0.87	0.82	0.78	0.83	0.79	0.75
3	0.93	0.83	0.74	0.77	0.71	0.66	0.74	0.69	0.65
4	0.86	0.74	0.66	0.70	0.63	0.58	0.67	0.61	0.56
5	0.80	0.67	0.58	0.63	0.56	0.51	0.61	0.55	0.50
6	0.74	0.61	0.53	0.57	0.50	0.44	0.55	0.48	0.44
7	0.69	0.56	0.47	0.53	0.46	0.40	0.50	0.44	0.39
8	0.65	0.52	0.43	0.48	0.41	0.36	0.47	0.40	0.36
9	0.61	0.47	0.39	0.45	0.38	0.33	0.43	0.37	0.33
10	0.57	0.45	0.36	0.42	0.35	0.31	0.41	0.34	0.30
Zone	Lumens			% Lamp			% Fixt		
0-30	11220			37.4			34.3		
0-40	17430			58.1			53.3		
0-60	28260			94.2			86.3		
0-90	33090			110.3			101.1		
90-180	300			1.0			0.9		
0-180	32730			109.1			100.0		
Spacing criteria: Across = 0.9; Along = 1.3									

HIGH / LOW BAY

Specifications are subject to change without notice



Spun Aluminum Reflector



Acrylic Refractor



Reflector Wire Guard



Mounting Hook

MOUNTING OPTIONS

O = INCLUDED WITH UNIT

X = COMPATIBLE WITH UNIT

	TL501-16	TL501-22	TL502	TL503	TL504-16	TL504-22	TL505-16	TL505-22	TL506	TL507
HK500 Malleable Hook	O	O	O	O	O	O	O	O	O	O
SFC500 Safety Cable	X	X	X	X	X	X	X	X	X	X
SWPS500 Swivel Pendant Mount (Square Box)	X	X	X	X	X	X	X	X	X	X
SWPR500 Swivel Pendant Mount (Round Box)	X	X	X	X	X	X	X	X	X	X
LC3 Line Cord w/Stripped End (3')	X	X	X	X	X	X	X	X	X	X
LC3120 Line Cord w/120v Plug (3')	X	X	X	X	X	X	X	X	X	X
LC3120L Line Cord w/120v Twist Lock (3')	X	X	X	X	X	X	X	X	X	X
LC3240L Line Cord w/240v Twist Lock (3')	X	X	X	X	X	X	X	X	X	X
LC3277L Line Cord w/277v Twist Lock (3')	X	X	X	X	X	X	X	X	X	X

GUARD OPTIONS

O = INCLUDED WITH UNIT

X = COMPATIBLE WITH UNIT

	TL501-16	TL501-22	TL502	TL503	TL504-16	TL504-22	TL505-16	TL505-22	TL506	TL507
WG500-16 Wire Guard for 16" Reflectors	X		X		X		X			
WG500-22 Wire Guard for 22" Reflectors		X		X		X		X		X

ELECTRICAL OPTIONS

O = INCLUDED WITH UNIT

X = COMPATIBLE WITH UNIT

	TL501-16	TL501-22	TL502	TL503	TL504-16	TL504-22	TL505-16	TL505-22	TL506	TL507
QR150 Quartz Restrike (150w)	X	X	X	X	X	X	X	X	X	X
480 480VAC Ballast	X	X	X	X	X	X	X	X	X	X
OS-500 Open Rated Skt & Lamp	O	O	O	O					X	

Continued on next page...

Specifications are subject to change without notice

ACCESSORIES INDUSTRIAL HIGH BAY / LOW BAY LIGHTING

REFLECTOR/REFRACTOR OPTIONS

O = INCLUDED WITH UNIT

X = COMPATIBLE WITH UNIT

	TL501-16	TL501-22	TL502	TL503	TL504-16	TL504-22	TL505-16	TL505-22	TL506	TL507
FG500-16 Tempered Flat Glass w/Gasket for 16" Reflectors	X				X					
FG500-22 Tempered Flat Glass w/Gasket for 22" Reflectors		X				X				
DL500-16 3" Acrylic Drop Lens for 16" Refractors	X		X		O		O			
DL500-22 3" Acrylic Drop Lens for 22" Refractors		X		X		O		O		
CB500-16 Clamp Band (16")	X		X		O		O			
CB500-22 Clamp Band (22")		X		X		O		O		X
EZCB500-16 "No Tools" Clamp Band (16")	X		X		X		X			
EZCB500-22 "No Tools" Clamp Band (22")		X		X		X		X		
C0500-16 Collar For 16" Acrylic Refractor			O				O			
C0500-22 Collar For 22" Acrylic Refractor				O				O		
ALR500-16 Spun Anodized Aluminum Reflector (16")	O				O					
ALR500-22 Spun Anodized Aluminum Reflector (22")		O				O				O
ACR500-16 Acrylic Refractor (16")			O				O			
ACR500-22 Acrylic Refractor (22")				O				O		

HIGH / LOW BAY

Specifications are subject to change without notice



CONSTRUCTION

The Trace-lite TL602 Series features a durable, corrosion-resistant, die-cast aluminum ballast enclosure with a natural finish. The lamp is protected by a UV stabilized, heat and impact-resistant polystyrene refractor.

ELECTRONICS

The Trace-lite TL602 Series uses a porcelain socket, pulse rated for 4KV. The TL602 is provided with a high quality High Power Factor type ballast and 120 volt input. Photocontrol included.

LAMPS

The Trace-lite TL602 Series is available with 100 watt Metal Halide or 150 watt High Pressure Sodium lamps to fit any application.

INSTALLATION

The Trace-lite TL602 Series features an easy-access wiring compartment, and comes complete with 24" Mounting Arm and hardware.

WARRANTY

Any housing component that fails due to manufacturer's defect is guaranteed for two years from time of shipment. Ballasts, Capacitors, and Ignitors are warranted for one year from time of shipment. Warranty does not apply to damages caused by improper installation, abuse, fire or acts of God. Lamp is not covered by manufacturer's warranty.

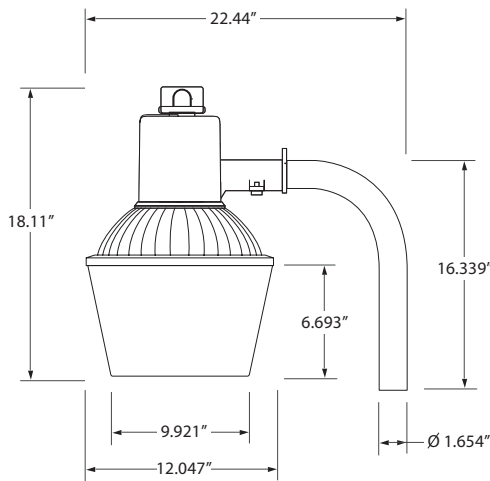


MOUNTING ARM & PHOTOCONTROL INCLUDED!

ORDERING INFORMATION (see page 158 for available accessories)

MODEL #	TYPE	WATTS	VOLTS	BALLAST
TL602-MH-100-120	MH	100	120	HX-HPF
TL602-HPS-150-120	HPS	150	120	HX-HPF

DIMENSIONS



APPROXIMATE WEIGHT: 12 lbs.



Specifications are subject to change without notice



CONSTRUCTION

The Trace-lite TL603 Series features a durable, corrosion-resistant, die-cast aluminum enclosure with a white, powder coated finish. The lamp is protected by a heat and impact-resistant borosilicate glass refractor. Optional flat glass lens is available for cutoff applications.

ELECTRONICS

The Trace-lite TL603 Series uses a porcelain socket, pulse rated for 4KV. The TL603 is provided with a high quality High Power Factor or CWA type ballast and features Multi-tap (120/208/240/277 volt) input. Optional twist lock receptacle and photocontrol available.

LAMPS

The Trace-lite TL603 Series is available with Metal Halide (250 watt), Pulse Start Metal Halide (250 watt) or High Pressure Sodium (150 or 250 watt) lamps to fit any application.

WARRANTY

Any housing component that fails due to manufacturer's defect is guaranteed for two years from time of shipment. Ballasts, Capacitors, and Igniters are warrantied for one year from time of shipment. Warranty does not apply to damages caused by improper installation, abuse, fire or acts of God. Lamp is not covered by manufacturer's warranty.

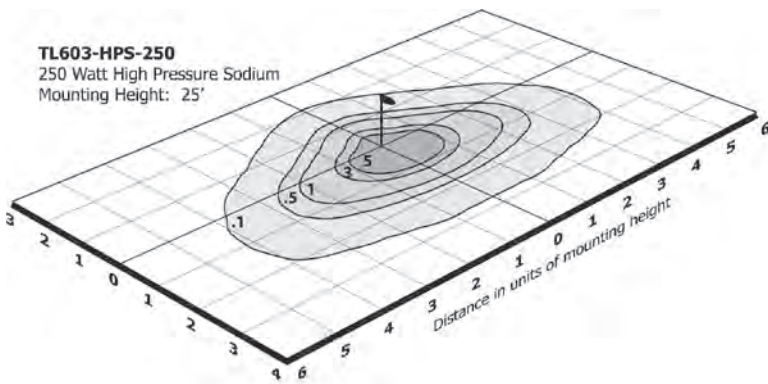


ORDERING INFORMATION (see page 158 for available accessories)

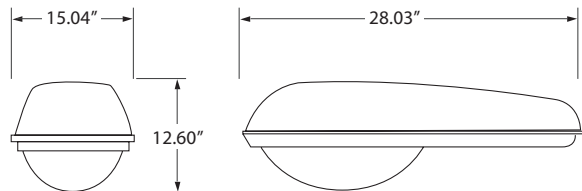
MODEL #	TYPE	WATTS	VOLTS	BALLAST
TL603-MH-250-MT	MH	250	120/208/240/277	CWA
TL603-PSMH-250-MT	PSMH	250	120/208/240/277	CWA
TL603-HPS-150-MT	HPS	150	120/208/240/277	HX-HPF
TL603-HPS-250-MT	HPS	250	120/208/240/277	CWA

Add "-FL" suffix to part number for Flat Glass option

SAMPLE PHOTOMETRICS



DIMENSIONS



Approximate Weight: 20 lbs



Specifications are subject to change without notice



CONSTRUCTION

The Trace-lite TL604 Series features a durable, corrosion-resistant, die-cast aluminum enclosure with a white, powder coated finish. The lamp is protected by a heat and impact-resistant borosilicate glass refractor. An optional flat glass lens is available for cutoff applications.

ELECTRONICS

The Trace-lite TL604 Series uses a porcelain socket, pulse rated for 4KV. The TL604 is provided with a high quality CWA type ballast and features Multi-tap (120/208/240/277 volt) input. Ballast is hard mounted with encapsulated starter for protection from the environment. Optional twist lock receptacle and photocontrol available.

LAMPS

The Trace-lite TL604 Series is available with Metal Halide (250 or 400 watt), Pulse Start Metal Halide (250 to 400 watt) or High Pressure Sodium (250 or 400 watt) lamps to fit any application. The lamp is mounted horizontally in an adjustable mogul-base socket.

WARRANTY

Any housing component that fails due to manufacturer's defect is guaranteed for two years from time of shipment. Ballasts, Capacitors, and Ignitors are warranted for one year from time of shipment. Warranty does not apply to damages caused by improper installation, abuse, fire or acts of God. Lamp is not covered by manufacturer's warranty.

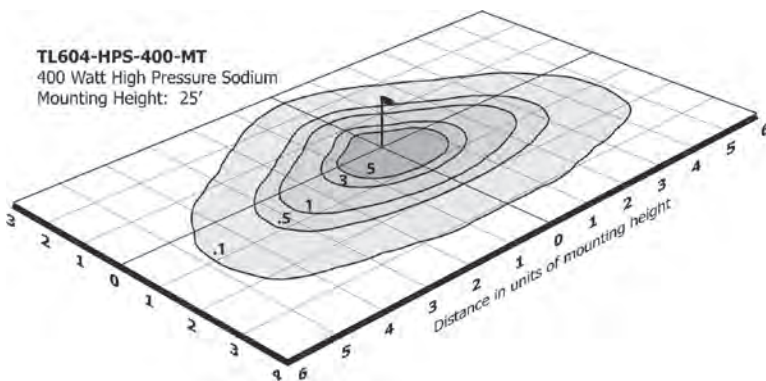


ORDERING INFORMATION (see page 158 for available accessories)

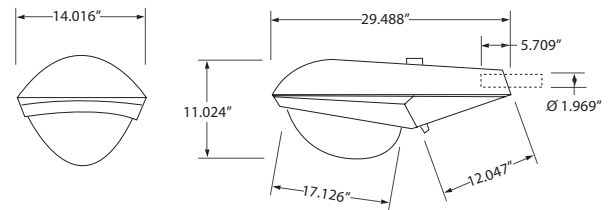
MODEL #	TYPE	WATTS	VOLTS	BALLAST
TL604-MH-250-MT	MH	250	120/208/240/277	CWA
TL604-MH-400-MT	MH	400	120/208/240/277	CWA
TL604-PSMH-250-MT	PSMH	250	120/208/240/277	CWA
TL604-PSMH-320-MT	PSMH	320	120/208/240/277	CWA
TL604-PSMH-350-MT	PSMH	350	120/208/240/277	CWA
TL604-PSMH-400-MT	PSMH	400	120/208/240/277	CWA
TL604-HPS-250-MT	HPS	250	120/208/240/277	CWA
TL604-HPS-400-MT	HPS	400	120/208/240/277	CWA

Add "-FL" suffix to part number for Flat Glass option

SAMPLE PHOTOMETRICS



DIMENSIONS



Approximate Weight: 30 lbs



Specifications are subject to change without notice



TL602



TL603



TL604

OPTIONS

MODEL #	FLAT LENS	24" MOUNTING ARM	TWIST LOCK PHOTOCONTROL 120V	TWIST LOCK PHOTOCONTROL 208-277V
TL602		INCLUDED	INCLUDED	
TL603	FL603		PC1T	PC2T
TL604	FL604		PC1T	PC2T



ALUMINUM DOME-TOP BOLLARDS, TYPE 3 & 5 REFRACTORS **TL701**

BOLLARDS

CONSTRUCTION

The Trace-lite TL701 Series features a durable, extruded aluminum enclosure available in white, black or bronze powder coated finish. Enclosure is fully sealed and gasketed, and is Wet Location Listed for outdoor use. Enclosure and hardware are corrosion resistant. The TL701 is available with a choice of I.E.S. Type 3 or Type 5 prismatic, borosilicate glass refractors. The lamps and refractors are protected by a high-impact, UV stabilized polycarbonate lens.

ELECTRONICS

The Trace-lite TL701 Series uses a medium base, glazed porcelain socket pulse rated for 4KV or universal 4 pin socket. The TL701 is provided with a high quality ballast, utilizing an Electronic, Magnetic, High Power Factor or Reactor type ballasts depending on lamp type and wattage. Available with 120V, 120/277V or Multi-tap (120/208/240/277V) input (dependant on lamp type).

LAMPS

The Trace-lite TL701 Series is available with Compact Fluorescent, Metal Halide or High Pressure Sodium lamps in 13 to 100 watt configurations to fit any application.

INSTALLATION

The Trace-lite TL701 Series features a rugged, flush mounted base and vandal-resistant hardware.

WARRANTY

Any housing component that fails due to manufacturer's defect is guaranteed for two years from time of shipment. Ballasts, Capacitors, and Igniters are warranted for one year from time of shipment. Warranty does not apply to damages caused by improper installation, abuse, fire or acts of God. Lamp is not covered by manufacturer's warranty.



ORDERING INFORMATION (see page 162 for available accessories & sample photometrics)

MODEL #	TYPE	WATTS	REFLECTOR	VOLTS	COLOR (X)
I.E.S. Type 3 Glass Refractor					
TL701-PL-13-3-120-X	PL	13	IES Type 3	120V	WH, BL, or BR
TL701-PL-26-3-120/277-X	PL	26	IES Type 3	120/277V	WH, BL, or BR
TL701-PL-32-3-120/277-X	PL	32	IES Type 3	120/277V	WH, BL, or BR
TL701-PL-42-3-120/277-X	PL	42	IES Type 3	120/277V	WH, BL, or BR
TL701-HPS-70-3-120-X	HPS	70	IES Type 3	120V	WH, BL, or BR
TL701-HPS-100-3-120-X	HPS	100	IES Type 3	120V	WH, BL, or BR
TL701-HPS-70-3-MT-X	HPS	70	IES Type 3	120/208/240/277V	WH, BL, or BR
TL701-HPS-100-3-MT-X	HPS	100	IES Type 3	120/208/240/277V	WH, BL, or BR
TL701-MH-70-3-MT-X	MH	70	IES Type 3	120/208/240/277V	WH, BL, or BR
TL701-MH-100-3-MT-X	MH	100	IES Type 3	120/208/240/277V	WH, BL, or BR
I.E.S. Type 5 Glass Refractor					
TL701-PL-13-5-120-X	PL	13	IES Type 5	120V	WH, BL, or BR
TL701-PL-26-5-120/277-X	PL	26	IES Type 5	120/277V	WH, BL, or BR
TL701-PL-32-5-120/277-X	PL	32	IES Type 5	120/277V	WH, BL, or BR
TL701-PL-42-5-120/277-X	PL	42	IES Type 5	120/277V	WH, BL, or BR
TL701-HPS-70-5-120-X	HPS	70	IES Type 5	120V	WH, BL, or BR
TL701-HPS-100-5-120-X	HPS	100	IES Type 5	120V	WH, BL, or BR
TL701-HPS-70-5-MT-X	HPS	70	IES Type 5	120/208/240/277V	WH, BL, or BR
TL701-HPS-100-5-MT-X	HPS	100	IES Type 5	120/208/240/277V	WH, BL, or BR
TL701-MH-70-5-MT-X	MH	70	IES Type 5	120/208/240/277V	WH, BL, or BR
TL701-MH-100-5-MT-X	MH	100	IES Type 5	120/208/240/277V	WH, BL, or BR

DIMENSIONS

43.375" Height x 7" Diameter



Specifications are subject to change without notice

TL702 DOME-TOP BOLLARDS, ADJUSTABLE REFLECTOR OR INTERNAL LOUVRES



BOLLARDS

CONSTRUCTION

The Trace-lite TL702 Series features a durable, extruded aluminum enclosure available in white, black or bronze powder coated finish. Enclosure is fully sealed and gasketed, and is Wet Location Listed for outdoor use. Enclosure and hardware are corrosion resistant. The TL702 is available with an adjustable aluminum reflector or aluminum louvres. The lamps and reflectors are protected by a high-impact, UV stabilized polycarbonate lens.

ELECTRONICS

The Trace-lite TL702 Series uses a medium base, glazed porcelain socket pulse rated for 4KV or universal 4 pin socket. The TL701 is provided with a high quality ballast, utilizing an Electronic, Magnetic, High Power Factor or Reactor type ballasts depending on lamp type and wattage. Available with 120V, 120/277V or Multi-tap (120/208/240/277V) input (dependant on lamp type).

LAMPS

The Trace-lite TL702 Series is available with Compact Fluorescent, Metal Halide or High Pressure Sodium lamps in 13 to 100 watt configurations to fit any application.

INSTALLATION

The Trace-lite TL702 Series features a rugged, flush mounted base and vandal-resistant hardware.

WARRANTY

Any housing component that fails due to manufacturer's defect is guaranteed for two years from time of shipment. Ballasts, Capacitors, and Ignitors are warranted for one year from time of shipment. Warranty does not apply to damages caused by improper installation, abuse, fire or acts of God. Lamp is not covered by manufacturer's warranty.



ORDERING INFORMATION (see page 162 for available accessories & sample photometrics)

MODEL #	TYPE	WATTS	REFLECTOR	VOLTS	COLOR (X)
Black Aluminum Louvres					
TL702-PL-13-IL-120-X	PL	13	Internal Louvres	120V	WH, BL, or BR
TL702-PL-26-IL-120/277-X	PL	26	Internal Louvres	120/277V	WH, BL, or BR
TL702-PL-32-IL-120/277-X	PL	32	Internal Louvres	120/277V	WH, BL, or BR
TL702-PL-42-IL-120/277-X	PL	42	Internal Louvres	120/277V	WH, BL, or BR
TL702-HPS-70-IL-120-X	HPS	70	Internal Louvres	120V	WH, BL, or BR
TL702-HPS-100-IL-120-X	HPS	100	Internal Louvres	120V	WH, BL, or BR
TL702-HPS-70-IL-MT-X	HPS	70	Internal Louvres	120/208/240/277V	WH, BL, or BR
TL702-HPS-100-IL-MT-X	HPS	100	Internal Louvres	120/208/240/277V	WH, BL, or BR
TL702-MH-70-IL-MT-X	MH	70	Internal Louvres	120/208/240/277V	WH, BL, or BR
TL702-MH-100-IL-MT-X	MH	100	Internal Louvres	120/208/240/277V	WH, BL, or BR
Internal Adjustable Reflector					
TL702-PL-13-IR-120-X	PL	13	Adjustable Reflector	120V	WH, BL, or BR
TL702-PL-26-IR-120/277-X	PL	26	Adjustable Reflector	120/277V	WH, BL, or BR
TL702-PL-32-IR-120/277-X	PL	32	Adjustable Reflector	120/277V	WH, BL, or BR
TL702-PL-42-IR-120/277-X	PL	42	Adjustable Reflector	120/277V	WH, BL, or BR
TL702-HPS-70-IR-120-X	HPS	70	Adjustable Reflector	120V	WH, BL, or BR
TL702-HPS-100-IR-120-X	HPS	100	Adjustable Reflector	120V	WH, BL, or BR
TL702-HPS-70-IR-MT-X	HPS	70	Adjustable Reflector	120/208/240/277V	WH, BL, or BR
TL702-HPS-100-IR-MT-X	HPS	100	Adjustable Reflector	120/208/240/277V	WH, BL, or BR
TL702-MH-70-IR-MT-X	MH	70	Adjustable Reflector	120/208/240/277V	WH, BL, or BR
TL702-MH-100-IR-MT-X	MH	100	Adjustable Reflector	120/208/240/277V	WH, BL, or BR

DIMENSIONS

43.375" Height x 7" Diameter



Specifications are subject to change without notice



CONSTRUCTION

The Trace-lite TL704 Series features a durable, extruded aluminum enclosure available in white, black or bronze powder coated finish. Enclosure is fully sealed and gasketed, and is Wet Location Listed for outdoor use. Enclosure and hardware are corrosion resistant. The TL704 is available with aluminum internal louvres. The lamps and reflectors are protected by a high-impact, UV stabilized polycarbonate lens.

ELECTRONICS

The Trace-lite TL704 Series uses a medium base, glazed porcelain socket pulse rated for 4KV or universal 4 pin socket. The TL701 is provided with a high quality ballast, utilizing an Electronic, Magnetic, High Power Factor or Reactor type ballasts depending on lamp type and wattage. Available with 120V, 120/277V or Multi-tap (120/208/240/277V) input (dependant on lamp type).

LAMPS

The Trace-lite TL704 Series is available with Compact Fluorescent, Metal Halide or High Pressure Sodium lamps in 13 to 100 watt configurations to fit any application.

INSTALLATION

The Trace-lite TL704 Series features a rugged, flush mounted base and vandal-resistant hardware.

WARRANTY

Any housing component that fails due to manufacturer's defect is guaranteed for two years from time of shipment. Ballasts, Capacitors, and Ignitors are warranted for one year from time of shipment. Warranty does not apply to damages caused by improper installation, abuse, fire or acts of God. Lamp is not covered by manufacturer's warranty.



ORDERING INFORMATION (see page 162 for available accessories & sample photometrics)

MODEL #	TYPE	WATTS	REFLECTOR	VOLTS	COLOR (X)
Black Aluminum Louvres					
TL704-PL-13-IL-120-X	PL	13	Internal Louvres	120V	WH, BL, or BR
TL704-PL-26-IL-120/277-X	PL	26	Internal Louvres	120/277V	WH, BL, or BR
TL704-PL-32-IL-120/277-X	PL	32	Internal Louvres	120/277V	WH, BL, or BR
TL704-PL-42-IL-120/277-X	PL	42	Internal Louvres	120/277V	WH, BL, or BR
TL704-HPS-70-IL-120-X	HPS	70	Internal Louvres	120V	WH, BL, or BR
TL704-HPS-100-IL-120-X	HPS	100	Internal Louvres	120V	WH, BL, or BR
TL704-HPS-70-IL-MT-X	HPS	70	Internal Louvres	120/208/240/277V	WH, BL, or BR
TL704-HPS-100-IL-MT-X	HPS	100	Internal Louvres	120/208/240/277V	WH, BL, or BR
TL704-MH-70-IL-MT-X	MH	70	Internal Louvres	120/208/240/277V	WH, BL, or BR
TL704-MH-100-IL-MT-X	MH	100	Internal Louvres	120/208/240/277V	WH, BL, or BR

DIMENSIONS

43.375" Height x 7" Diameter

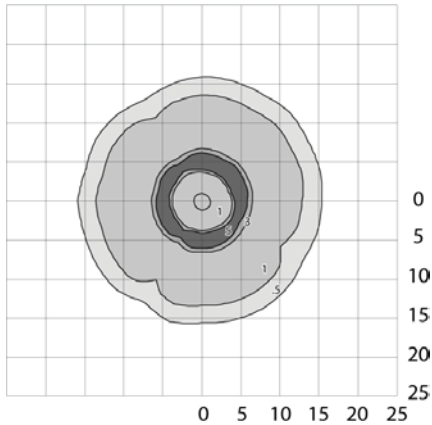


Specifications are subject to change without notice

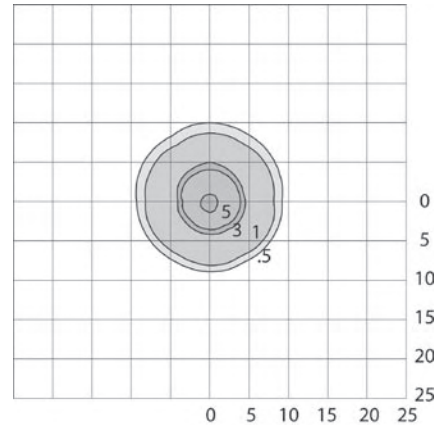
OPTIONS

Replacement Polycarbonate Lens		Mounting Kit for Concrete Surfaces
TL701	RL701	MK701 (Included)
TL702	RL702	MK702 (Included)
TL703	RL703	MK703 (included)

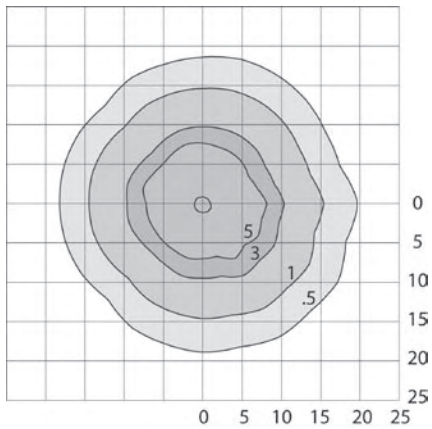
SAMPLE PHOTOMETRICS



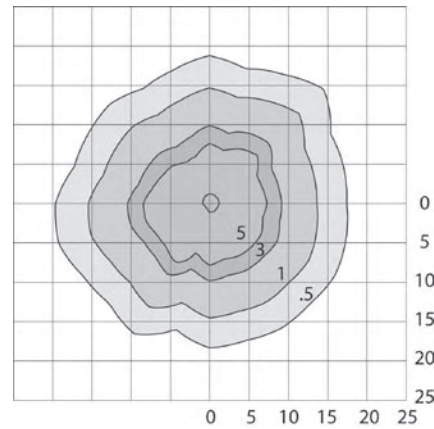
100w Metal Halide
Internal Louvres



100w Metal Halide
Adjustable Reflector



100w Metal Halide
I.E.S. Type 3 Reflector



100w Metal Halide
I.E.S. Type 5 Reflector

Specifications are subject to change without notice

CONSTRUCTION

The Trace-lite TL801 Series features a heavy duty, die-cast aluminum housing with a paintable textured grey powdercoated finish. The cast aluminum guard screws on to the housing and is secured with a headless set screw. The TL801 is UL Listed for wet locations and complies with UL Standard 1598 for non-hazardous locations where the luminaire must provide protection for the lamp, socket, and wiring from water, corrosive fumes, non-combustible dusts, non-explosive vapors & gases. The lamp is protected by a heat and impact resistant clear glass globe that is standard, a frosted glass globe can be specified.

ELECTRONICS

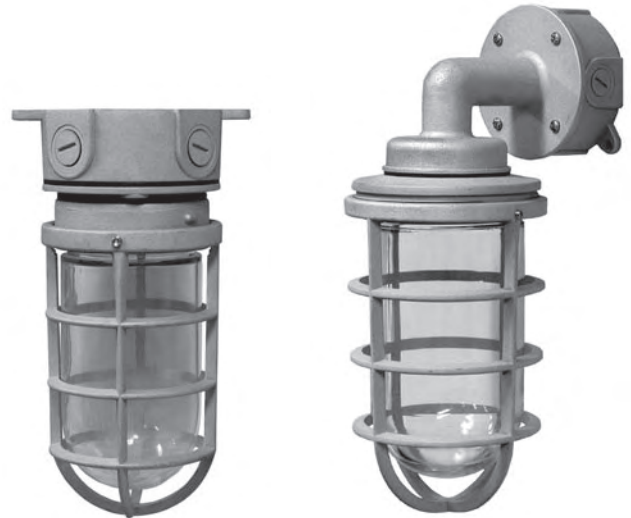
The TL801 utilizes a porcelain medium base socket rated for 600VAC 660W with 8" high temperature wire leads. Two housing sizes are available, a maximum 200 watt unit and a maximum 300w unit.

INSTALLATION

The TL801 is available in both wall mount and ceiling mount styles. A weatherproof junction box with both 1/2" or 3/4" NPT hubs and rugged mounting tabs is included with both styles. A full line of accessories with matching grey textured powdercoated finish is available to modify the fixtures for many different applications including pendant mounts, shades, wire guards, and glass globes.

WARRANTY

Any housing component that fails due to manufacturer's defect is guaranteed for two years from time of shipment. Ballasts, Capacitors, and Ignitors are warranted for one year from time of shipment. Warranty does not apply to damages caused by improper installation, abuse, fire or acts of God. Lamp is not covered by manufacturer's warranty.



TL801-1B

TL801-1W

LAMP NOT INCLUDED

VAPORPROOF

ORDERING INFORMATION (see page 166 for available accessories)

MODEL #	TYPE	MAX WATTS	VOLTS	STYLE	WIDTH	HEIGHT *	DEPTH
TL801-INC-200-1B	INCANDESCENT	200	120	1/2" BOX	4 1/4"	9 3/8"	4 1/4"
TL801-INC-200-2B	INCANDESCENT	200	120	3/4" BOX	4 1/4"	9 3/8"	4 1/4"
TL801-INC-300-1B	INCANDESCENT	300	120	1/2" BOX	5 5/8"	11 1/2"	5 5/8"
TL801-INC-300-2B	INCANDESCENT	300	120	3/4" BOX	5 5/8"	11 1/2"	5 5/8"
TL801-INC-200-1W	INCANDESCENT	200	120	1/2" BOX	4 1/4"	12 1/2"	7 1/8"
TL801-INC-200-2W	INCANDESCENT	200	120	3/4" BOX	4 1/4"	12 1/2"	7 1/8"
TL801-INC-300-1W	INCANDESCENT	300	120	1/2" BOX	5 5/8"	14 1/2"	7 1/2"
TL801-INC-300-2W	INCANDESCENT	300	120	3/4" BOX	5 5/8"	14 1/2"	7 1/2"
TL801-200-PA1		200		1/2" PENDANT MOUNT ONLY			
TL801-300-PA1		300		1/2" PENDANT MOUNT ONLY			

* Height of wall mount is from the top edge of the wall plate to the bottom of the guard.



Specifications are subject to change without notice



CONSTRUCTION

The Trace-lite TL802 Series features a heavy duty, die-cast aluminum housing with a paintable textured grey powdercoated finish. The cast aluminum guard screws on to the housing and is secured with a headless set screw. The TL802 is UL Listed for wet locations and complies with UL Standard 1598 for non-hazardous locations where the luminaire must provide protection for the lamp, socket, and wiring from water, corrosive fumes, non-combustible dusts, non-explosive vapors & gases. The lamp is protected by a heat and impact resistant clear glass globe that is standard, a frosted glass globe can be specified.

ELECTRONICS

The TL802 utilizes a Single universal GX24-q4 compact fluorescent socket with 8" high temperature wire leads, accepts 26, 32 or 42 watt lamps.

INSTALLATION

The TL802 is available in wall mount, ceiling mount and pendant mount styles. A weatherproof junction box with 3/4" NPT hubs and rugged mounting tabs is included with both styles. A full line of accessories with matching grey textured powdercoated finish is available to modify the fixtures for many different applications including shades and glass globes.

WARRANTY

Any housing component that fails due to manufacturer's defect is guaranteed for two years from time of shipment. Ballasts, Capacitors, and Igniters are warranted for one year from time of shipment. Warranty does not apply to damages caused by improper installation, abuse, fire or acts of God. Lamp is not covered by manufacturer's warranty.



TL802-2B



TL802-2W

ORDERING INFORMATION (see page 166 for available accessories)

MODEL #	TYPE	WATTS	VOLTS	MOUNTING	WIDTH	HEIGHT *	DEPTH
TL802-PL-26-120/277-2B	COMPACT FLUORESCENT	26	120/277	CEILING	7 1/8"	15"	7 1/8"
TL802-PL-32-120/277-2B	COMPACT FLUORESCENT	32	120/277	CEILING	7 1/8"	15"	7 1/8"
TL802-PL-42-120/277-2B	COMPACT FLUORESCENT	42	120/277	CEILING	7 1/8"	15"	7 1/8"
TL802-PL-26-120/277-2W	COMPACT FLUORESCENT	26	120/277	WALL	7 1/8"	18 1/4"	7 1/8"
TL802-PL-32-120/277-2W	COMPACT FLUORESCENT	32	120/277	WALL	7 1/8"	18 1/4"	7 1/8"
TL802-PL-42-120/277-2W	COMPACT FLUORESCENT	42	120/277	WALL	7 1/8"	18 1/4"	7 1/8"
TL802-PL-26-120/277-2P	COMPACT FLUORESCENT	26	120/277	PENDANT	7 1/8"	14 3/4"	7 1/8"
TL802-PL-32-120/277-2P	COMPACT FLUORESCENT	32	120/277	PENDANT	7 1/8"	14 3/4"	7 1/8"
TL802-PL-42-120/277-2P	COMPACT FLUORESCENT	42	120/277	PENDANT	7 1/8"	14 3/4"	7 1/8"

* Height of wall mount is from the top edge of the wall plate to the bottom of the guard.



Specifications are subject to change without notice



CONSTRUCTION

The Trace-lite TL803 Series features a heavy duty, die-cast aluminum housing with a paintable textured grey powdercoated finish. The cast aluminum guard screws on to the housing and is secured with a headless set screw. The TL803 is UL Listed for wet locations and complies with UL Standard 1598 for non-hazardous locations where the luminaire must provide protection for the lamp, socket, and wiring from water, corrosive fumes, non-combustible dusts, non-explosive vapors & gases. The lamp is protected by a heat and impact resistant clear glass globe that is standard, a frosted glass globe can be specified.

ELECTRONICS

The TL803 utilizes a glazed porcelain socket pulse rated for 4KV with 8" high temperature wire leads.

INSTALLATION

The TL803 is available in wall mount, ceiling mount and pendant mount styles. A weatherproof junction box with 3/4" NPT hubs and rugged mounting tabs is included with both styles. A full line of accessories with matching grey textured powdercoated finish is available to modify the fixtures for many different applications including pendant mounts, shades and glass globes.

WARRANTY

Any housing component that fails due to manufacturer's defect is guaranteed for two years from time of shipment. Ballasts, Capacitors, and Igniters are warranted for one year from time of shipment. Warranty does not apply to damages caused by improper installation, abuse, fire or acts of God. Lamp is not covered by manufacturer's warranty.



TL803-2B

TL803-2W



VAPORPROOF

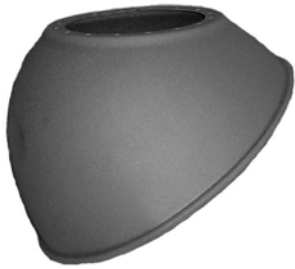
ORDERING INFORMATION (see page 166 for available accessories)

MODEL #	TYPE	WATTS	VOLTS	MOUNTING	WIDTH	HEIGHT *	DEPTH
TL803-MH-50-DT-2B	MH	50	120/277	CEILING	7 1/8"	15"	7 1/8"
TL803-MH-70-MT-2B	MH	70	120/208/240/277	CEILING	7 1/8"	15"	7 1/8"
TL803-HPS-35-120-2B	HPS	35	120	CEILING	7 1/8"	15"	7 1/8"
TL803-HPS-50-120-2B	HPS	50	120	CEILING	7 1/8"	15"	7 1/8"
TL803-HPS-70-120-2B	HPS	70	120	CEILING	7 1/8"	15"	7 1/8"
TL803-HPS-100-120-2B	HPS	100	120	CEILING	7 1/8"	15"	7 1/8"
TL803-HPS-150-120-2B	HPS	150	120	CEILING	7 1/8"	15"	7 1/8"
TL803-MH-50-DT-2W	MH	50	120	WALL	7 1/8"	14 3/4"	7 1/8"
TL803-MH-70-MT-2W	MH	70	120/208/240/277	WALL	7 1/8"	14 3/4"	7 1/8"
TL803-HPS-35-120-2W	HPS	35	120	WALL	7 1/8"	14 3/4"	7 1/8"
TL803-HPS-50-120-2W	HPS	50	120	WALL	7 1/8"	14 3/4"	7 1/8"
TL803-HPS-70-120-2W	HPS	70	120	WALL	7 1/8"	14 3/4"	7 1/8"
TL803-HPS-100-120-2W	HPS	100	120	WALL	7 1/8"	14 3/4"	7 1/8"
TL803-HPS-150-120-2W	HPS	150	120	WALL	7 1/8"	14 3/4"	7 1/8"
TL803-MH-50-DT-2P	MH	50	120/277	PENDANT	7 1/8"	18 1/4"	7 1/8"
TL803-MH-70-MT-2P	MH	70	120/208/240/277	PENDANT	7 1/8"	18 1/4"	7 1/8"
TL803-HPS-35-120-2P	HPS	35	120	PENDANT	7 1/8"	18 1/4"	7 1/8"
TL803-HPS-50-120-2P	HPS	50	120	PENDANT	7 1/8"	18 1/4"	7 1/8"
TL803-HPS-70-120-2P	HPS	70	120	PENDANT	7 1/8"	18 1/4"	7 1/8"
TL803-HPS-100-120-2P	HPS	100	120	PENDANT	7 1/8"	18 1/4"	7 1/8"
TL803-HPS-150-120-2P	HPS	150	120	PENDANT	7 1/8"	18 1/4"	7 1/8"

* Height of wall mount is from the top edge of the wall plate to the bottom of the guard.

Specifications are subject to change without notice

OPTIONS



Angled Shade
(Shown: AS800-200)



Frosted Glass
(Shown: FLG800-200)



Straight Shade & Wire Guard
(Shown: SS800-200 & SWG800-200)



1/2" Cowl Arm
(Shown with Fixture & Angled Shade)

	USE SUFFIX WHEN ORDERING W/UNIT	USE COMPLETE P/N WHEN ORDERED SEPERATELY	FITS FIXTURE MODEL NUMBERS
STRAIGHT SHADE	-SS	SS800-200 SS800-300	TL801 200W CEILING UNITS TL801 300W CEILING UNITS, ALL TL802 & TL803
ANGLED SHADE	-AS	AS800-200 AS800-300	TL801 200W CEILING UNITS TL801 300W CEILING UNITS, ALL TL802 & TL803
WIREGUARD (STRAIGHT SHADE)	-SWG	SWG800-200 SWG800-300	TL801 200W WITH STRAIGHT SHADES TL801 300W WITH STRAIGHT SHADES
WIREGUARD (ANGLED SHADE)	-AWG	AWG800-200 AWG800-300	TL801 200W WITH ANGLED SHADES TL801 300W WITH ANGLED SHADES
CLEAR GLASS	INCLUDED	CLG800-200 CLG800-300	TL801 200 WATT UNITS TL801 300W UNITS, ALL TL802 & TL803
FROSTED GLASS	-FLG	FLG800-200 FLG800-300	TL801 200 WATT UNITS TL801 300W UNITS, ALL TL802 & TL803
CAST GUARD	INCLUDED	CG800-200 CG800-300	TL801 200 WATT UNITS TL801 300W UNITS, ALL TL802 & TL803
1/2" COWL ARM	-CA1*	TL800-CA1	TL801 WITH PENDANT ADAPTER

* Add to Pendant Adapter Part Number (-PA1)

Specifications are subject to change without notice

VAPORPROOF

LAMP SPECS

Type	Lamp Watts	Bulb Type	Base	Part No.	Initial Lumens	Life (Hrs)
Compact Fluorescent	26	PL	GX24q-3	0090	1,800	10,000
	32	PL	GX24q-3	0091	2,400	10,000
	42	PL	GX24q-4	0092	3,200	10,000
High Pressure Sodium	35	BD17	MED	0050	2,250	24,000+
	50	BD17	MED	0051	4,000	24,000+
	70	BD17	MED	0052	6,300	24,000+
	100	BD17	MED	0053	9,500	24,000+
	150	BD17	MED	0054	16,000	24,000+
	250	ED18	MOG	0060	21,000	24,000+
	400	ED18	MOG	0061	50,000	24,000+
	400	ED28	MOG	0062	50,000	24,000+
Metal Halide	1000	ED37	MOG	0063	140,000	24,000+
	50	ED17	MED	0070	3,100	5,000
	70	ED17	MED	0071	5,600	10,000
	100	ED17	MED	0072	8,100	10,000
	150	ED17	MED	0073	13,500	10,000
	175	ED17	MED	0074	14,000	10,000
	175	BD28	MOG	0080	14,000	10,000
	250	BD28	MOG	0081	20,000	10,000
	320	BD28	MOG	0082	30,000	10,000
	400	BD28	MOG	0083	40,000	20,000
	400	ED28	MOG	0084	40,000	20,000
Quartz Incandescent	1000	BT56	MOG	0085	110,000	12,000
	1500	BT56	MOG	0086	155,000	3,000
Mercury Vapor	500	T3	RSC	0094	10,950	2,000
	1500	T3	RSC	0095	35,800	2,000
Mercury Vapor	175	ED28	MOG	0096	7,900	24,000

TECHNICAL INFO

RANGE OF LAMP WATTAGES

Lamp Type	Wattages
Incandescent	3-1500
Fluorescent	4-215
Mercury Vapor	50-1000
Metal Halide	50-1500
High Pressure Sodium	35-1000

RELATIVE LIGHT OUTPUT

Lamp Type	Wattages
Incandescent	1.0
Fluorescent	2.5 times
Mercury Vapor	4.8 times
Metal Halide	4.8 times
High Pressure Sodium	5.4 times

Continued on next page...

Specifications are subject to change without notice

COMPARISON OF LIGHTING SOURCES

	INCANDESCENT QUARTZ	COMPACT FLUORESCENT	HIGH INTENSITY DISCHARGE (HID)		
			MERCURY VAPOR	METAL HALIDE	HIGH PRESSURE SODIUM
Initial System Cost	Low	Moderate	Moderate	High	High
Operating Energy Cost	High	Moderate	Moderate	Moderate	Low
Efficiency Lumens per Watt	19-22	50-16	45-55	80-100	102-130
Average Lamp Life (Hrs)	1,000	10,000	24,000	10,000-15,000	24,000
Color Definition	Very Good	Good	Moderate	Good	Fair
Light Color	Warm White	Warm White	Cool White	White	Warm Yellow
Beam Control	Very Good	Poor	Fair	Good	Good
Cold Weather Operation	Very Good	Fair	Fair	Good	Good

WARM-UP AND RESTRIKE TIME

Lamp Type	Approximate Warm-Up Time	Approximate Restrike Time
Metal Halide	3-4 Min.	10-20 Min.
High Pressure Sodium	3-4 Min.	1/2-1 Min.
Mercury Vapor	5-7 Min.	3-6 Min.

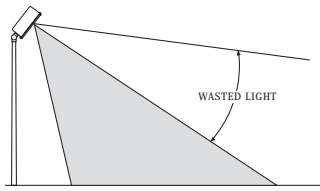
It takes HID lamps several minutes of operation to produce their rated lumen output. Any interruption in power or sudden voltage drop will cause the lamp to extinguish. Lamps must cool down before they will relight.

RECOMMENDED MOUNTING HEIGHTS

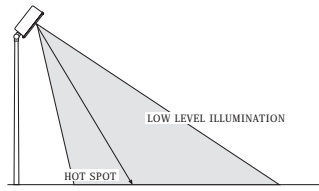
Mounting Height (feet)	High Pressure Sodium	Metal Halide	Mercury Vapor	Incandescent Quartz
6-8	50 Watt	50 Watt	100 Watt	-
8-12	70 Watt	70/100 Watt	-	500 Watt
8-15	100 Watt	150 Watt	175 Watt	-
12-18	150 Watt	175 Watt	-	-
15-20	-	-	400 Watt	-
18-25	250 Watt	250 Watt	-	-
20-30	-	400 Watt	-	1500 Watt
25-35	400 Watt	-	1000 Watt	-
35-50	1000 Watt	1000 Watt	-	-
50-150	-	1500 Watt	-	-

Specifications are subject to change without notice

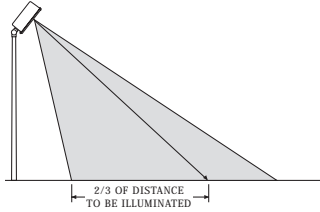
FLOODLIGHT AIMING GUIDELINES



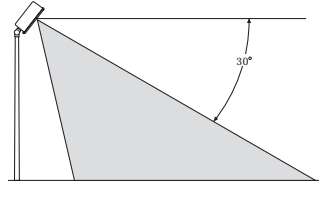
Aiming the floodlight at the far edge of the desired area to be illuminated will increase the amount of light wasted and increase glare.



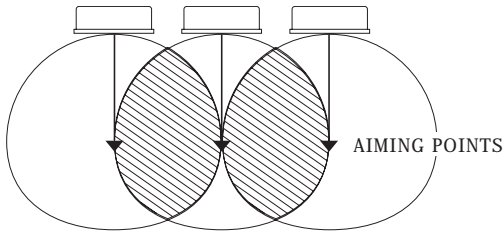
Floodlights aimed too close to the edge nearest the light source causes hotspots, and reduces the illumination at the far edge of the area.



Aiming floodlights two-thirds of the distance to be illuminated, or two times the mounting height, whichever is the lower value, will yield the best results and most even light distribution.

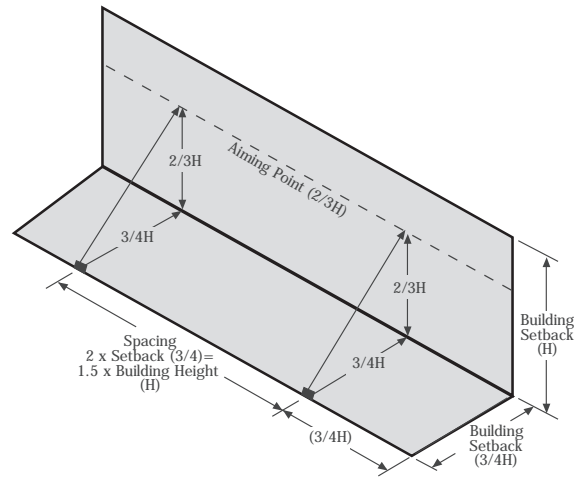


Aiming floodlights at 30° below horizontal will achieve the best visual comfort. Adjust the mounting height if necessary to get the angle 30° below horizontal.



When floodlights are aimed so that the edge of the beam pattern of a given fixture intersects the aiming points of adjacent fixtures, acceptable uniformity is usually achieved.

BUILDING LIGHTING GUIDELINES



Luminaire Setback

Placing floodlights at a distance of 3/4 the height of the building (or vertical distance) will achieve the best results. Further away will reduce lighting efficiency, closer will reduce uniformity.

Luminaire Spacing

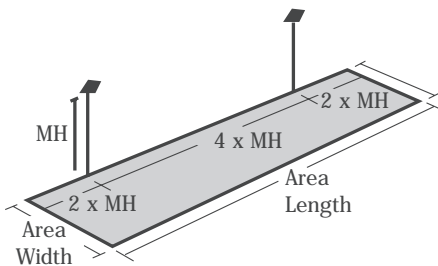
The most uniform lighting will be achieved by spacing the fixtures not more than twice the setback ($2 \times 3/4H = 1.5$ times the building height or vertical distance).

Ground Mounted Aiming

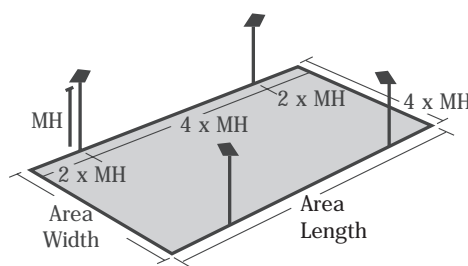
The floodlight aiming point should be at least 2/3 of the way up the building height (or vertical surface). For smaller setbacks, the aiming point must go higher.

POLE/FIXTURE PLACEMENT GUIDELINES

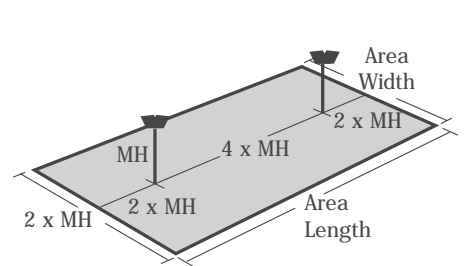
Poles should be spaced not more than 2 times their mounting height from the edge of an area to be lit, and 4 times their mounting height from any adjacent pole location. That is known as the "2X-4X" rule



When lighting from one side, the width of the area should not exceed 2 times the mounting height.



When lighting from two sides, the width of the area should not exceed 4 times the mounting height.



When lighting from the center, the width of the area should not exceed 2 times the mounting height on either side of the pole.

Specifications are subject to change without notice

TYPICAL END OF LAMP LIFE INDICATORS

Lamp operation is based on average lamp life. Some lamps will continue to operate beyond the estimated lamp life or fail prior to the rated life. Indications of a lamp approaching the end of its lifespan vary for each lamp type.

Metal Halide - Lamps will take on a blue or pink hue due to a loss of sodium inside the arc tube and the lamp has difficulty starting.

High Pressure Sodium - Lamps will cycle on and off repeatedly, eventually not starting at all. Failing to replace a failing lamp can also cause the ignitor to fail.

Mercury Vapor - Actual light output may not be affected, but severe blackening of the ends of the arc tube will be visible.

FIXTURE WILL NOT START

<i>Common Causes</i>	<i>Corrective Action</i>
Incorrect Ballast or Lamp	Compare the labels on the fixture to verify that the ballast type is the same as the lamp. Ensure that Metal Halide lamps are in the correct burning position. Check to be sure that an enclosed lamp is not operating in and open rated (pink) socket fixture.
Lamp Near End of Rated Life	Check for signs of lamp failure and replace lamp.
End of Ballast Life	Replace Ballast.
Lamp Seated Incorrectly	Ensure that lamp is screwed securely into socket and that good contact has been made.
Defective Socket	Remove lamp and inspect socket shell and contact for damage.
Incorrect or Loose Wiring	Disconnect from power supply and verify correct wiring connections.
Starter Failure	Replace lamp with known working lamp. If fixture will not start, replace starter.
Incorrect Line or Ballast Voltage	Verify line voltage at fixture and check open circuit voltage.
Photocell Failure	Turn off fixture and cover photocontrol "eye". Turn fixture on and wait several minutes. If lamp does not start, replace photocontrol. If lamp still does not start, bypass photocontrol wiring and test fixture again.
Environmental Conditions	Verify that ballast/lamp specifications fit environmental conditions.

DECREASED LAMP LIFE

<i>Common Causes</i>	<i>Corrective Action</i>
Incorrect Ballast or Lamp	Compare the labels on the fixture to verify that the ballast type is the same as the lamp. Ensure that Metal Halide lamps are in the correct burning position. Check to be sure that an enclosed lamp is not operating in and open rated (pink) socket fixture.
Incorrect or Loose Wiring	Disconnect from power supply and verify correct wiring connections.
Incorrect Line or Ballast Voltage	Verify line voltage at fixture and check open circuit voltage.
Incorrect Wattage	Check ballast data for lamp type and wattage.
Overheated Lamp	Ensure that ambient temperature rating complies with environment.
Incorrect Lamp Operating Position	Check lamp for specifications (Base up, Base down, Horizontal, Vertical).

Continued on next page...

REDUCED LAMP LIGHT OUTPUT

<i>Common Causes</i>	<i>Corrective Action</i>
Lamp Near End of Rated Life	Check for signs of lamp failure and replace lamp.
Incorrect Ballast	Verify ballast output and supply voltage without lamp. Check multi-tap ballast to ensure correct connection.
Incorrect or Loose Wiring	Disconnect from power supply and verify correct wiring connections.
Incorrect Line or Ballast Voltage	Verify line voltage at fixture and check open circuit voltage.
Voltage Fluctuation	Check duration and degree of voltage fluctuation. Check for other loads on fixture circuit, and remove fixture from other lines with large electrical loads.
Dirty Environment	Regularly clean lamp and fixture.

DELAYED OR ERRATIC LAMP IGNITION

<i>Common Causes</i>	<i>Corrective Action</i>
Lamp Near End of Rated Life	Check for signs of lamp failure and replace lamp.
End of Ignitor Life/Defective	Replace Starter.
End of Ballast Life	Replace Ballast.
Incorrect or Loose Wiring	Disconnect from power supply and verify correct wiring connections.
Low Line or Ballast Voltage	Verify line voltage at fixture and check open circuit voltage.
Voltage Fluctuation	Check duration and degree of voltage fluctuation. Check for other loads on fixture circuit, and remove fixture from other lines with large electrical loads.
Incorrect Lamp Operating Position	Check lamp for specifications (Base up, Base down, Horizontal, Vertical).
Environmental Conditions	Verify that ballast/lamp specifications fit environmental conditions and temperature ratings.

FIXTURE CYCLES ON AND OFF

<i>Common Causes</i>	<i>Corrective Action</i>
Lamp Near End of Rated Life	Check for signs of lamp failure and replace lamp.
End of Ignitor Life/Defective	Replace Starter.
End of Ballast Life	Replace Ballast.
Incorrect or Loose Wiring	Disconnect from power supply and verify correct wiring connections.
Low Line or Ballast Voltage	Verify line voltage at fixture and check open circuit voltage.
Voltage Fluctuation	Check duration and degree of voltage fluctuation. Check for other loads on fixture circuit, and remove fixture from other lines with large electrical loads.
Incorrect Lamp Operating Position	Check lamp for specifications (Base up, Base down, Horizontal, Vertical).
Environmental Conditions	Verify that ballast/lamp specifications fit environmental conditions and temperature ratings.

Continued on next page...

LAMP COLOR SHIFTING

<i>Common Causes</i>	<i>Corrective Action</i>
Low Line or Ballast Voltage	Verify line voltage at fixture and check open circuit voltage.
Dirty Environment	Regularly clean lamp and fixture.
Incorrect Lamp	Check lamp type and replace if needed.
Overheating Arc Tube	Caused by reflector.
Aging Process	A slight color shift will occur as lamps age. Group relamping of fixtures in close proximity to each other will make this less evident.

FLICKERING LAMP

<i>Common Causes</i>	<i>Corrective Action</i>
Incorrect or Loose Wiring	Disconnect from power supply and verify correct wiring connections.
Low Line or Ballast Voltage	Verify line voltage at fixture and check open circuit voltage.
Voltage Fluctuation	Check duration and degree of voltage fluctuation. Check for other loads on fixture circuit, and remove fixture from other lines with large electrical loads.
High Operating Voltage	Check lamp voltage at socket.
Incorrect Lamp or Ballast	Compare the labels on the fixture to verify that the ballast type is the same as the lamp. Ensure that Metal Halide lamps are in the correct burning position. Check to be sure that an enclosed lamp is not operating in and open rated (pink) socket fixture.

TRIPPED CIRCUIT BREAKERS/BLOWN FUSES

<i>Common Causes</i>	<i>Corrective Action</i>
Circuit Overload	Check overall load on circuit.
Shorted (grounded) Fixtures	Check with shorted (grounded) test. If shorted, replace fixture.
Incorrect Wattage	Check ballast data for lamp type and wattage.
Incorrect Fuse	Select correct fuse from manufacturers suggested fusing data.

WARRANTY INFORMATION

Trace-lite industrial and outdoor lighting fixtures are warranted against mechanical defects for two years from the date of delivery. Upon inspection, Trace-lite will replace or repair any product that is proven to be defective due to manufacturing defects. Any product that is outside of the warranty period and product that has been modified or installed incorrectly, will not receive credit.

Ballasts, Capacitors and Igniters are warranted against electrical defects for one year from the date of delivery. Any electrical component that is outside of this warranty or has been modified or installed incorrectly, will not receive credit. Lamps are not manufactured by Trace-lite and will be warranted by the manufacturer. Trace-lit will act as the agent for these suppliers and assist in any way possible.

All Trace-lite products are powder coated and the finishes are guaranteed for two years from the delivery date.

Trace-lite will not be held liable for any injury or damage resulting from the application or use of its products. Trace-lite's sole liability shall be for the repair or replacement of product deemed to be defective, as long as the products are within the warranty period.

Contractor back charges or charges for rental equipment will not be accepted without prior written approval. Trace-lite will not cover the cost of transportation, installation, or removal of product. All claims must be in writing.

No other Warranty or Guarantee, either expressed or implied, shall exist, other than the warranty as stated above.



TERMS & CONDITIONS

1. Agreement

These Terms & Conditions constitute the entire agreement between the parties and supersede any previous agreements or understandings.

2. Terms:

Payment terms are net 30 days from the invoice date. Interest of 2% per month plus any Attorney's fees and costs will be assessed on all past due accounts. Any applicable payment discounts shall not apply to other charges such as shipping, taxes or insurance

3. Pricing:

Written quotations are valid for 30 days unless otherwise specified. Pricing is subject to change without notice. In the event of a price increase, orders shipped prior to the effective date of the change, will be shipped at the price stated on the purchase order. Orders released after the effective date will be billed at the new price. Minimum order will be \$250.00 and \$50.00 on replacement parts.

4. Shipping & Handling:

All prices are FOB shipping point. Freight allowance will begin on orders greater than \$1,500 per shipment per location for product shipped in the continental U.S. While every effort will be made to ship products as required, any delay or failure due to strikes, lockouts, fire, acts of god or other circumstances beyond the control of Barron Lighting Group will not constitute a breach of contract. All Barron Lighting Group products are inspected for mechanical defects prior to shipment. Title of material passes to the buyer upon delivery by Barron Lighting Group to the carrier and any claim for damage or shortage in transit shall be made by the customer to the carrier. Any claims for shortages must be made within five days of delivery. Barron Lighting Group shall assist in any way possible.

5. Taxes:

All prices, quotations, orders and agreements are subject to local state and federal taxes. These taxes will be added to the invoice unless legal proof of exemption is provided.

6. Cancellations:

Returns as a result of a buyer error will be charged freight both ways and a minimum service charge of 35% will be assessed. This amount will be deducted from the credit, if applicable, to cover the cost of handling, unpacking, inspecting, and breakdown of component parts. Orders for stocking items as defined by Barron Lighting Group may be cancelled without charge. All special orders or non-stocking items are non-cancellable, non-returnable for any other reason than defective. Buyer shall have 30 days to return product in a saleable condition to receive any credit.

7. Standard Packaging:

Barron Lighting Group reserves the right to alter the quantities of any order to conform to standard packaging.

8. Return Policy:

- a. Merchandise is not returnable without the written approval of Barron Lighting Group.
- b. Request for an RGA must be made in writing within 30 days from the date of shipment. Any material returned without an RGA will be returned to the customer, freight collect, and no credit will be issued.
- c. All material must be received in a saleable condition and in the original packaging. Products will be inspected upon return to determine whether it will be repaired or replaced as long as it is within the warranty period. RGA's will not be issued for discontinued products.
- d. Freight shipment to the factory will be prepaid by the customer.

When requesting an RGA, please be sure to include:

- Distributors name
- Original purchase order number and date
- Barron Lighting Group catalog number
- Quantity of product to be returned
- Reason for return

Include a copy of the RGA with the returned goods and mark all boxes with the RGA number.

All warranties are void if the material is found to be defective for any other reason than manufacturer's defect of workmanship.

Invoices for replacement material are due in full. Credit will only be given when defective material is returned to Barron Lighting Group.

ALL RETURNS MUST BE SENT TO:

Barron Lighting Group
Returns Department
1911 W. Parkside Lane
Phoenix, Arizona 85027

9. Governing Law:

These Terms & Conditions are made in accordance with the laws of the state of Arizona. Any litigation resulting from the sale of products manufactured by the Barron Lighting Group shall be litigated in the state of Arizona.

PRODUCT INDEX

400 Die-Cast Aluminum LED Exit.....	9	TL119EX Large Semi-Cutoff Wallpack.....	111
400D Direct-View Die-Cast Aluminum LED Exit.....	10	TL120 Architectural Full Cutoff Wallpack.....	112
400U Universal Die-Cast Aluminum LED Exit.....	11	TL121 Architectural Full Cutoff Wallpack.....	113
400U-8 New York Approved Universal Die-Cast Aluminum LED Exit.....	52	TL201 Small Compact Floodlight.....	115
450 Ultra-Slim, Architectural Die-Cast Aluminum LED Exit.....	8	TL202 Medium Compact Floodlight.....	116
500 Steel Direct-View LED Exit.....	12	TL203 Low Profile Floodlight.....	117
600 Steel Direct-View LED Exit.....	13	TL204 Large Floodlight.....	118
700 Steel LED Exit.....	14	TL205 Sportslighter.....	119
82 Outdoor LED Directional Signage.....	84	TL206 Architectural, Round Back Floodlight.....	120
84 Custom Outdoor Signage.....	85	TL207 Compact Quartz Floodlight.....	121
900 Architectural LED Edge-lit Exit.....	5	TL301 Medium Area Light.....	124
CR Chicago Approved Recessed T-Bar Emergency Light.....	32	TL302 Small Area Light.....	125
CSC Chicago Approved Steel Exit.....	47	TL303 Large Area Light.....	126
CSX Chicago Approved Steel Combination Exit.....	48	TL304 Large Area Light.....	127
CXE Chicago Approved Edge-lit Exit.....	49	TL305 Architectural Area Light.....	128
EXI-Glow Photoluminescent Exit.....	25	TL306 Small Adjustable Area Light.....	129
ILX Compact Thermoplastic Exit.....	16	TL306EX Large Adjustable Area Light.....	130
LL30 Decorative Thermoplastic Emergency Light.....	33	TL307 Small Architectural Area Light.....	131
LL50H Decorative Thermoplastic Emergency Light.....	33	TL307EX Large Architectural Area Light.....	132
LL50H-N4 Wet Location Thermoplastic Emergency Light.....	34	TL401 Small, Square Vandal Resistant Canopy Light.....	135
LL50H-RM Recessed Thermoplastic Emergency Light.....	35	TL402 Large, Square Vandal Resistant Canopy Light.....	136
LL6, LL12 Steel Emergency Light.....	38	TL403 Small, Round Vandal Resistant Canopy Light.....	137
LL60 Decorative Thermoplastic Emergency Light.....	35	TL404 Large, Round Vandal Resistant Canopy Light.....	138
LL90 Decorative Thermoplastic Emergency Light.....	36	TL405 Large, Square Vandal Resistant Canopy Light.....	139
LL90HW High Wattage Thermoplastic Emergency Light.....	37	TL406 Garage Lighter.....	140
LRP Heavy Duty Thermoplastic Emergency Light.....	39	TL407 Garage Lighter w/Uplight.....	141
LRX Wet Location Thermoplastic Emergency Light.....	43	TL408 Garage Lighter.....	142
Mouting Plates For Remote Lamp Heads.....	73	TL501 High Bay Lighting, 16" or 22" Aluminum Reflector.....	144
NY1 & NY2 New York Approved Die-Cast Aluminum Exit.....	53	TL502 High Bay Lighting, 16" Acrylic Reflector.....	145
NY900 New York Approved Architectural Edge-lit Exit.....	55	TL503 High Bay Lighting, 22" Acrylic Reflector.....	146
NY-LL New York Approved Steel Emergency Light.....	56	TL504 Low Bay Lighting, 16" or 22" Aluminum Reflector.....	147
Phoenix Compact Single Phase UPS, 350 to 2100W.....	62	TL505 Low Bay Lighting, 16" or 22" Acrylic Reflector.....	148
Phoenix Single Phase UPS, 2.1 to 14KW.....	63	TL506 Temporary Work Light.....	149
Phoenix Single Phase UPS, 3 to 15KW.....	64	TL507 High Bay Lighting, 22" Aluminum Reflector.....	150
PXP Tritium Exit.....	26	TL508 Fluorescent High Bay Lighting.....	151
RC NEMA Rated LED Exit.....	23	TL602 Dusk to Dawn Security Lighting.....	155
RDG Recessed Steel Emergency Light.....	30	TL603 Roadway Lighting.....	156
Remote Heads.....	68	TL604 Roadway Lighting.....	157
RH Hazardous Location Rated Emergency Light.....	46	TL701 Dome-Top Bollard, Type 3 & 5 Refractors.....	159
RL NEMA Rated Emergency Light.....	45	TL702 Dome-Top Bollard, Adjustable Reflector or Interl Louvres.....	160
RM, RM6 Recessed Plastic or Steel Emergency Light.....	31	TL703 Flat-Top Bollard, Interl Louvres.....	161
RP Thermoplastic Emergency Light.....	40	TL801 Vaporproof Incandescent Security Lighting.....	163
RS Steel Emergency Light.....	41	TL802 Vaporproof Fluorescent Security Lighting.....	164
RT1, RT2, LEDGE LED Retro Fit Kits.....	67	TL803 Vaporproof HID Security Lighting.....	165
RW Heavy Duty Steel Emergency Light.....	42	Triton Decorative Indoor/Outdoor Emergency Egress Lighting.....	28
RX NEMA Rated Emergency Light.....	44	Triton Remote Decorative Indoor/Outdoor Remote Lamp.....	69
RZ Hazardous Location Rated LED Exit.....	24	V900 LED Edge-lit Exit.....	6
Sedona Three Phase UPS, 8 to 50KW.....	66	V900-8 New York Approved LED Edge-lit Exit.....	54
Sonoran Hostile Environment Single Phase UPS, 2.1 to 14KW.....	65	VEX Universal Thermoplastic LED Exit.....	17
SQS Decorative Plastic or Steel, Rec. or Surface Emergency Light.....	29	VEX-8 New York Approved Steel Universal LED Exit.....	50
Stealth Architectural Recessed Emergency Light.....	27	VEXC-8 New York Approved Steel Combination LED Exit.....	51
TL101 Mini Polycarbonate Wallpack.....	89	VEX EL50H Thermoplastic LED Exit Halogen Combo.....	18
TL102 Mini Die-Cast Aluminum Wallpack.....	90	VEX EL55H Thermoplastic LED Exit Halogen Combo.....	19
TL103 Small Wallpack.....	91	VEX EL90 Thermoplastic LED Exit Combo.....	20
TL104 Small Wallpack.....	92	VEX EL95 Thermoplastic LED Exit "Swingarm" Combo.....	21
TL106 Medium Wallpack.....	93	VEX-S Value Series Steel LED Exit.....	15
TL106EX Large Wallpack.....	94	VR Decorative Thermoplastic Remote Lamp.....	68
TL106EXT Large, Deep Wallpack.....	95	VRC Wet Location LED Exit.....	22
TL108 Decorative Full Cutoff Wallpack.....	96	XEB-26CF Emergency Ballast, 650 Lumen.....	58
TL109 Decorative Cutoff Wallpack.....	97	XEB-420CF Emergency Ballast, 1300 Lumen.....	59
TL110 Architectural Full Cutoff Wallpack.....	98	XEB-420CFZ Emergency Ballast, 1300 Lumen.....	59
TL110EX Large Architectural Full Cutoff Wallpack.....	99	XEB-42CF Emergency Ballast, 650 Lumen.....	59
TL110EXT Large, Deep Architectural Full Cutoff Wallpack.....	100	XEB-5 Emergency Ballast, 500 Lumen.....	57
TL110A Architectural Full Cutoff Wallpack w/Available EM Ballast.....	101	XEB-55 Emergency Ballast, 550 Lumen.....	57
TL111 Half-Moon Full Cutoff Wallpack.....	102	XEB-6CF Emergency Ballast, 650 Lumen.....	58
TL111A Half-Moon Full Cutoff Wallpack w/Available EM Ballast.....	103	XEB-65CF Emergency Ballast, 650 Lumen.....	59
TL112 Quarter-Sphere Full Cutoff Wallpack.....	104	XEB-7 Emergency Ballast, 700 Lumen.....	57
TL113 Sconce, Semi-Cutoff Wallpack.....	105	XEB75CF Emergency Ballast, 750 Lumen.....	60
TL113EX Large Sconce, Semi-Cutoff Wallpack.....	106	XEB-13 Emergency Ballast, 1300 Lumen.....	57
TL116 Euro Style Wallpack.....	107	XEB-13-54 Emergency Ballast, 1300 Lumen.....	60
TL117 Large, Slim Wallpack.....	108	XEB-14 Emergency Ballast, 1400 Lumen.....	58
TL118 Medium Wallpack.....	109	XEB-T5-5 Emergency Ballast, 500 Lumen.....	60
TL119 Small Semi-Cutoff Wallpack.....	110	XEB-T5-8 Emergency Ballast, 825 Lumen.....	60

BARRON
LIGHTING GROUP

CORPORATE HEADQUARTERS:

1911 West Parkside Lane
Phoenix, AZ 85027
(888) 533-3948 • (623) 580-3948
Fax: (623) 587-4899
www.barronltg.com

DISTRIBUTION CENTERS:

Edison, NJ
Dallas, TX



Your Local Representative: