



BARRON

EXITRONIX

emergency lighting



3RD EDITION

BARRON
lighting group

NEW PRODUCTS!



LL70 Series - Page 39

Indoor/Outdoor Rated, suitable for most damp, wet, hose down and cold-weather locations, the LL70 series is the ultimate in durable, dependable emergency lighting. Available with up to 54 watts of power and LED or Halogen lamp technology.



400C Series - Page 8

The first universal LED die-cast aluminum exit/emergency combo unit available, combining an appealing design, the latest in die cast technology, and high performance electronics and LED lamp heads to ensure reliability.



S900 Series - Page 3

New pivoting design makes for simple installation in any application, including wall, ceiling, sloped ceilings or recessed mounting in single or double face configurations.



TRITON LED - Page 22

Indoor or outdoor, die-cast architectural high performance LED fixture designed to work in two applications; Emergency Lighting and combined General/Emergency Lighting.



Explore the Barron Lighting Group and our products online at www.barronltg.com. Quickly and easily navigate through all of our divisions for product information, spec sheets, photometrics and individual catalog pages. Learn more about your favorite products, plus request quotes and literature right from your desktop!

Please be sure to visit our other divisions for all your lighting needs!

 **TRACE LITE**
commercial & industrial lighting

 **specialty LED**
commercial & decorative lighting

INDEX

EXIT SIGNS

900 ARCHITECTURAL LED EDGE-LIT EXIT	2
S900 UNIVERSAL PIVOTING LED EDGE-LIT EXIT	3
NAV VANDAL RESISTANT, WET LOCATION LED EXIT	4
400 DIE-CAST LED EXIT	5
400D DIRECT VIEW DIE-CAST LED EXIT	6
400U UNIVERSAL DIE-CAST LED EXIT	7
400C DIE-CAST COMBO LED EXIT	8
500 STEEL DIRECT VIEW LED EXIT	9
600 STEEL DIRECT VIEW LED EXIT	10
700 STEEL DIFFUSED VIEW LED EXIT	11
VEX-S UNIVERSAL STEEL LED EXIT	12
VEXC STEEL COMBO LED EXIT	13
ILX THERMOPLASTIC LED EXIT	14
VEX CONTRACTOR GRADE THERMOPLASTIC LED EXIT	15
VEX-EL55H THERMOPLASTIC COMBO LED EXIT	16
VEX-EL90 THERMOPLASTIC COMBO LED EXIT	17
VRC WET LOCATION RATED LED EXIT & COMBO UNIT	18
EXI-GLOW NON-ELECTRIC PHOTOLUMINESCENT EXIT	19
PXP NON-ELECTRIC TRITIUM EXIT	20

EMERGENCY LIGHTING

STEALTH RECESSED EMERGENCY LIGHTING	21
TRITON LED LED GENERAL & EMERGENCY LIGHTING	22
TRITON ARCHITECTURAL EMERGENCY LIGHTING	23
RDG RECESSED ADJUSTABLE GIMBAL RING	24
RM RECESSED EMERGENCY LIGHTING	25
CR RECESSED T-BAR EMERGENCY LIGHTING	26
LL30 THERMOPLASTIC EMERGENCY LIGHTING	27
LL50H THERMOPLASTIC EMERGENCY LIGHTING	28
LL50H-6/12 HIGH CAPACITY EMERGENCY LIGHTING	29
LL50H-N4 WET LOCATION EMERGENCY LIGHTING	30
LL60 THERMOPLASTIC EMERGENCY LIGHTING	31
LL90 THERMOPLASTIC EMERGENCY LIGHTING	32
LL90HW HIGH WATTAGE EMERGENCY LIGHTING	33
LL STEEL EMERGENCY LIGHTING	34
LRP THERMOPLASTIC EMERGENCY LIGHTING	35
RP THERMOPLASTIC EMERGENCY LIGHTING	36
RS 18-150W STEEL EMERGENCY LIGHTING	37
RS 125-400W STEEL EMERGENCY LIGHTING	38
LL70 WET LOCATION EMERGENCY LIGHTING	39
LRX WET LOCATION EMERGENCY LIGHTING	40
WNX NEMA 4X EMERGENCY LIGHTING	41

CITY OF CHICAGO APPROVED PRODUCTS

CSX STEEL EXIT SIGN	42
CSX STEEL COMBO LED EXIT	43
CXE EDGE-LIT EXIT	44
RM RECESSED EMERGENCY LIGHTING	45
CR RECESSED T-BAR EMERGENCY LIGHTING	46
RS 18-180W STEEL EMERGENCY LIGHTING	47
RS 125-400W STEEL EMERGENCY LIGHTING	48

NEW YORK CITY APPROVED PRODUCTS

NY900 ARCHITECTURAL LED EDGE-LIT EXIT	49
S900-8 LED EDGE-LIT EXIT	50
NY DIE-CAST LED EXIT	51
400U-8 UNIVERSAL DIE-CAST LED EXIT	52
VEX-8 UNIVERSAL STEEL LED EXIT	53
VEXC-8 STEEL COMBINATION EXIT	54
NY-LL STEEL EMERGENCY LIGHTING	55

EMERGENCY BALLASTS

XEB FLUORESCENT EMERGENCY BALLASTS	56-57
---	-------

UPS SYSTEMS

PHOENIX COMPACT UPS, 350 TO 2100 WATT	58
PHOENIX SINGLE PHASE UPS, 2.1 TO 14 KW	59
PHOENIX SINGLE PHASE UPS, 3 TO 15 KW	60
SONORAN HOSTILE ENVIRONMENT UPS, 2.1 TO 14 KW	61
PHOENIX THREE PHASE UPS, 8 TO 50 KW	62

RETRO-FIT KITS

RT1, RT2, LEDGE	63
------------------------------	----

REMOTE LAMPS

VR DECORATIVE THERMOPLASTIC	64
TRITON ARCHITECTURAL DIE-CAST ALUMINUM	65
COMMERCIAL/INDUSTRIAL VARIOUS STYLES	66-67
MOUNTING PLATES	68
REMOTE LAMP ASSEMBLIES	69

ACCESSORIES

WG WIRE GUARDS	70
XG POLYCARBONATE GUARDS	71
SHELVES MOUNTING SHELVES	71

TECHNICAL

VOLTAGE DROP TABLES	72
EXIT DISCHARGE GUIDE	73

UNDERCABINET LIGHTING

UC FLOURESCENT UNDERCABINET LIGHTING	74
---	----

CUSTOM SIGNS

CUSTOM LED SIGNAGE	75
---------------------------------	----

LED DIRECTIONAL SIGNAGE

82 DIRECT VIEW	76
84 DIFFUSED CUSTOM LEGENDS	77

EXPRESS 24

QUICK-SHIP PROGRAM	78-79
---------------------------------	-------

BARRON LIGHTING GROUP

TERMS & CONDITIONS	80
-------------------------------------	----

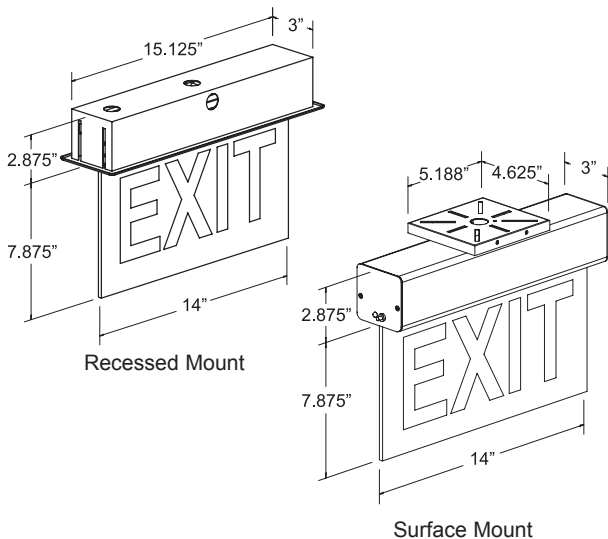
900 ARCHITECTURAL LED EDGE-LIT EXIT



Custom legends available
See page 75

The 900 Series exit features an architectural, slim design to fit into any environment. Attractive and functional, the 900 Series is completely self-contained and utilizes reliable, energy efficient LED illumination.

DIMENSIONS



FEATURES

- Recessed and surface mount universal style enclosures
- Attractive aluminum extrusion design
- Standard finishes: black, white and brushed aluminum
- Optional G2 Self-Test/Self-Diagnostic circuitry available
- Red or green high intensity LEDs
- Constant, uniform illumination
- High clarity, optically true acrylic panels
- 6" characters with 3/4" stroke
- Field applicable chevrons available
- 120/277V dual primary 60Hz input
- Short circuit, voltage surge, and brown-out protection
- UL recognized maintenance-free lead acid battery (NiMH battery standard with G2 option)
- Low voltage disconnect eliminates deep discharge
- ETL listed 90 minute emergency run time, 24 hour recharge time
- 25 year warranty

WARRANTY

Any component that fails due to manufacturers defect is guaranteed for 25 years with a separate 5 year pro-rated warranty on the battery. The warranty does not cover physical damage, abuse or acts of God. Manufacturer reserves the right to charge for such repairs if deemed necessary.

CODE CONFORMANCE

The 900 Series is E.T.L. Listed and meets or exceeds the following: U.L. 924, N.E.C. requirements and N.F.P.A. 101.

Specifications are subject to change without notice

ORDERING INFORMATION

902 - U - WB - RM - BC - WH - G2AA

SERIES	MOUNTING	POWER SOURCE	PANEL COLOR	ARROW CONFIGURATION	HOUSING FINISH	OPTIONS
902 = Single Face 903 = Double Face	R = Recessed WR = Wall Recessed U = Ceiling, End, or Wall (Surface Mount)	LB = AC Only WB = With Battery NC = NiCad	RC = Red Letters/Clear Panel RW = Red Letters/White Panel RM = Red Letters/Mirror Panel GC = Green Letters/Clear Panel GW = Green Letters/White Panel GM = Green Letters/Mirror Panel	Single Face CL = Chevron Left CR = Chevron Right BC = Both Chevrons ZC = No Chevrons XX = Field Applicable Chevrons Double Face SC = Single Chevron BC = Both Chevrons ZC = No Chevrons XX = Field Applicable Chevrons	WH = White BL = Black BA = Brushed Aluminum	G2 ¹ = Self-Test/Self-Diagnostics G2AA ¹ = G2 w/Audible Alarm DR = Damp Location Rated FL = Flasher BZ = Buzzer FB = Flasher & Buzzer A1 = Fire Alarm Interface w/ Flasher A2 = Fire Alarm Interface w/Flasher & Buzzer 2C11 = 2 Circuit Input 120/120V 2C17 = 2 Circuit Input 277/277V 2C117 = 2 Circuit Input 120/277V SS = Custom Legend ER1-KIT ² = 12" Pendant Kit ER2-KIT ² = 24" Pendant Kit

¹ G2 options come standard with NiMH batteries, not available with NiCad.
² Order as separate line item, surface mount only.

S900 SWIVEL MOUNT LED EDGE-LIT EXIT

FEATURES

- Pivoting design for simple installation in any application, including wall, ceiling, sloped ceilings or recessed mounting in single or double face configurations
- Truly universal (“-SR”) model includes surface mounting canopy as well as back box for recessed mounting applications
- Die cast aluminum housing with high grade acrylic panel
- Mirror background supplied as standard on all double-face signs
- Compact, low profile design
- Field applicable chevrons provided
- 120/277VAC operation
- Low energy consumption
- Canopy included
- Low voltage disconnect
- Optional G2 Self-Test/Self-Diagnostics available
- E.T.L. listed 90 minute emergency run-time, 24 hour recharge time

WARRANTY

Any component that fails due to manufacturers defect is guaranteed for 5 years with a separate 3 year pro-rated warranty on the battery. The warranty does not cover physical damage, abuse or acts of God. Manufacturer reserves the right to charge for such repairs if deemed necessary.

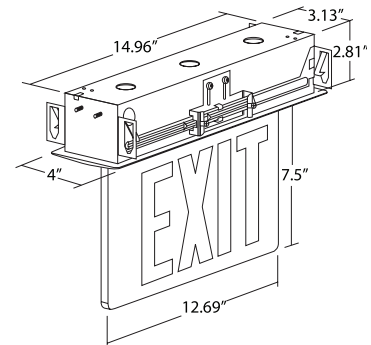
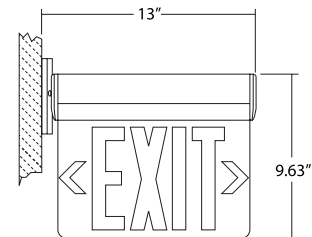
CODE CONFORMANCE

The S900 Series is E.T.L. Listed and meets or exceeds the following: U.L. 924, N.E.C. requirements and N.F.P.A. 101.

Specifications are subject to change without notice



DIMENSIONS



ORDERING INFORMATION (“SR” Mounting includes equipment for surface and recessed mounting)

S902	WB	S	RC	WH	G2
SERIES	POWER SOURCE	MOUNTING	PANEL COLOR	HOUSING FINISH	OPTIONS
S902 = Single S903 = Double	LB = AC Only WB = With Battery	S = Surface SR = Universal (Includes Kits For Surface & Recessed Mounting)	Single Face RC = Red Letters Clear Panel GC = Green Letters Clear Panel Double Face RM = Red Letters Mirror Panel GM = Green Letters Mirror Panel	BA = Brushed Alum WH = White	G2 = Self-Test/Self-Diagnostics

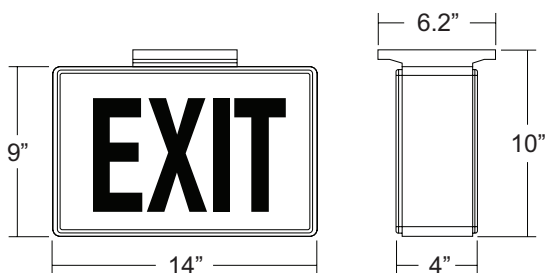


NAV VANDAL RESISTANT, ALL WEATHER LED EXIT



The NAV series vandal resistant exit sign is designed to stand up to high abuse areas such as correctional facilities, schools, apartment complexes, and public areas that may be subject to vandalism. The NAV features an IEC IP66 rating standard, and is suitable for wet or hose down applications.

DIMENSIONS



FEATURES

- IP66 Rated for wet and hose down locations
- Heavy duty 0.42" thick cast aluminum housing
- Standard with tamper resistant hardware
- Impact-resistant polycarbonate shield offers extreme protection
- Chevron style universal arrow knockouts
- Red or green high-intensity LEDs
- 120/277/347 input
- Standard with G2 self-test/self-diagnostic circuitry
- Internal battery heater option for cold location installations
- Universal mounting canopy
- Available with black or white matte powder coated finish
- Optional 120 minute emergency run time battery available

WARRANTY

Any component that fails due to manufacturer's defect is guaranteed for 5 years with a separate 5 year pro-rated warranty on the battery. The warranty does not cover physical damage, abuse or acts of God. Manufacturer reserves the right to charge for such repairs if deemed necessary.

CONFORMANCE TO CODES & STANDARDS

The NAV Series is C.S.A. Listed and meets or exceeds the following: U.L. 924, N.E.C. requirements and N.F.P.A. 101.

Specifications are subject to change without notice

ORDERING INFORMATION

NAV	-	NC	-	R	-	2	-	B	-	H-120
SERIES		POWER SOURCE		COLOR		# FACES		HOUSING FINISH		FACTORY OPTIONS
NAV = NAV		LB = AC Only NC = NiCad Battery		R = Red G = Green		1 = Single 2 = Double		B = Black W = White		FL = Flasher BZ = Audible Alarm IH1 = 120V Battery Heater IH2 = 277V Battery Heater IR = Infrared Remote Test Switch 2C11 = Two Circuit Input (120V) 2C17 = Two Circuit Input (277V) TF = Extended Run Time (120 min)

ER1-KIT

ACCESSORIES (Order as separate line item)

ER1-KIT = 1' Pendant Mount Kit
ER2-KIT = 2' Pendant Mount Kit

400 DIE-CAST ALUMINUM LED EXIT

FEATURES

- Enclosure constructed of precision die-cast aluminum
- Red or green high intensity LEDs
- Constant uniform illumination
- 6" fully illuminated characters
- Chevron style universal arrow knockouts
- 120/277V dual primary 60Hz input
- Short circuit and voltage surge protection
- Overcharge protection
- Flasher/buzzer options to meet ADA regulations
- Low voltage disconnect eliminates deep discharge
- Brown-out protection
- E.T.L. recognized maintenance-free NiCad battery
- E.T.L. listed 90 min emergency run time, 24 hour recharge time

WARRANTY

Any component that fails due to manufacturers defect is guaranteed for 25 years with a separate 5 year pro-rated warranty on the battery. The warranty does not cover physical damage, abuse or acts of God. Manufacturer reserves the right to charge for such repairs if deemed necessary.

CODE CONFORMANCE

The 400 Series is E.T.L. Listed and meets or exceeds the following: U.L. 924, N.E.C. requirements and N.F.P.A. 101.

Specifications are subject to change without notice

ORDERING INFORMATION

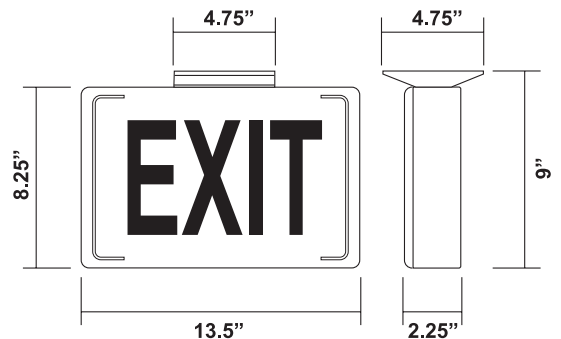
G402	WB	BL	G2
SERIES	POWER SOURCE	HOUSING FINISH	OPTIONS (Factory Installed)
402 = Red Single Face 403 = Red Double Face G402= Green Single Face G403= Green Double Face	LB = AC Only WB= With Battery	BL = Black w/ Alum Face BB = Black w/ Black Face WW = White w/ White Face BA = Brushed Alum w/ Alum Face	G2 = Self Test / Diagnostics G2AA= Self Test / Diagnostics w/Audible Alarm DL = LED Down Light FL = Flasher BZ = Buzzer FB = Flasher & Buzzer A1 = Fire Alarm Interface w /Flasher A2 = Fire Alarm Interface w/ Flasher & Buzzer DR = Damp Location Rating 2CI1 = Two Circuit Input 120/120V 2CI7 = Two Circuit Input 277/277V 2CI17 = Two Circuit Input 120/277V FM = Flush Mount Kit SS = Custom Face MR2 = Remote Twin Unit VL = Vandal Resistant Lens TRH = Tamper Resistant Hardware
ER1-KIT			
ACCESSORIES (Field Installed)			
TRT8 = Tamper Resistant Tool ER1-KIT = 1' Pendant Kit ER2-KIT = 2' Pendant Kit			



Custom legends available
See page 75

Exitronix Die Cast Aluminum Exits are designed to combine both beauty and performance while maintaining optimal energy efficiency with bright, uniform illumination.

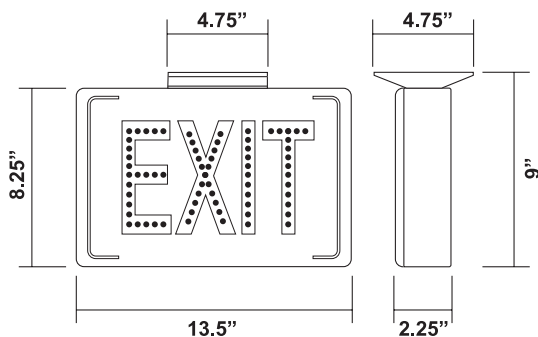
DIMENSIONS





The 400D Series is the brightest most visible die-cast sign in the industry in both normal and smoke-filled environments. 400 Series exits are designed to combine both beauty and performance, while providing exceptional brightness and visibility, utilizing direct view LEDs.

DIMENSIONS



400D DIRECT-VIEW DIE-CAST ALUMINUM LED EXIT

FEATURES

- Enclosure constructed of die cast aluminum
- Red or green high intensity LEDs
- Minimum of 129 LEDs spelling for word "EXIT", 7 LEDs for each arrow
- Constant, uniform illumination
- 1/8" protective polycarbonate shield
- Available with black, white or brushed aluminum finish
- Chevron style universal arrow knockouts
- 120/277V dual primary, 60Hz input,
- Short circuit protection
- Low voltage disconnect
- Brownout protection
- Voltage surge protection

WARRANTY

Any component that fails due to manufacturers defect is guaranteed for 25 years with a separate 5 year pro-rated warranty on the battery. The warranty does not cover physical damage, abuse or acts of God. Manufacturer reserves the right to charge for such repairs if deemed necessary.

CONFORMANCE TO CODES & STANDARDS

The 400D Series is E.T.L. Listed and meets or exceeds the following: U.L. 924, N.E.C. requirements and N.F.P.A. 101.

Specifications are subject to change without notice

ORDERING INFORMATION

402D	-	WB	-	WW	-	FB-DR
SERIES		POWER SOURCE		HOUSING FINISH		OPTIONS
402D = Red Single Face 403D = Red Double Face G402D= Green Single Face G403D= Green Double Face		LB = Less Battery WB = With Battery NC = NiCad		BL = Black w/ Alum Face BB = Black w/Black Face WW = White w/ White Face BA = Brushed Alum w/ Alum Face		G1 = Self-Diagnostics DL = LED Down Light FL = Flasher BZ = Buzzer FB = Flasher & Buzzer A1 = Fire Alarm Interface w/Flasher A2 = Fire Alarm Interface w/Flasher & Buzzer DR = Damp Location Rating 2CI1 = Two Circuit Input 120/120V 2CI7 = Two Circuit Input 277/277V 2CI17= Two Circuit Input 120/277V VL = Polycarbonate Vandal Lens for Exit Face FM = Flush Mount Kit MR2 = Remote Twin Unit TF ¹ = Extended Run Time Lead Acid Battery TRH = Tamper Resistant Hardware
				ER1-KIT		
				ACCESSORIES (Enter as separate line item)		
				TRT6 = Tamper Resistant Tool ER1-KIT = 1' Pendant Kit ER2-KIT = 2' Pendant Kit		

¹ Unit flashes continuously in DC mode.

400U UNIVERSAL DIE-CAST ALUMINUM LED EXIT



FEATURES

- Damp location listed
- Housing is constructed of precision die cast aluminum
- Universal enclosure design
- Red or Green high intensity LEDs
- Constant uniform illumination
- Available in black, white and brushed aluminum finish
- Universal mounting canopy supplied standard with each unit
- Chevron style universal arrow knockouts
- 120/277V dual primary, 60Hz input
- Short circuit and voltage surge protection
- Overcharge protection
- Low voltage disconnect and brown-out protection
- Maintenance-free NiCad battery
- 90 minute emergency run time, 24 hour recharge time

WARRANTY

Any component that fails due to manufacturers defect is guaranteed for 5 years with a separate 5 year pro-rated warranty on the battery. The warranty does not cover physical damage, abuse or acts of God. Manufacturer reserves the right to charge for such repairs if deemed necessary.

CONFORMANCE TO CODES & STANDARDS

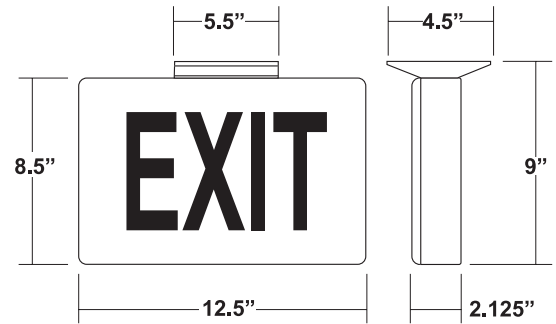
The 400U Series is E.T.L. Listed and meets or exceeds the following: U.L. 924, N.E.C. requirements and N.F.P.A. 101.

Specifications are subject to change without notice



The 400U Series is supplied standard with two face plates, a back plate and the mounting canopy; making this the only universal die cast exit in the industry!

DIMENSIONS



ORDERING INFORMATION

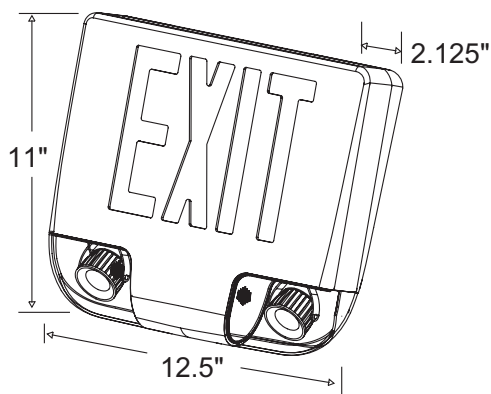
400U	-	WB	-	WW	-	G2-VL
SERIES		POWER SOURCE		HOUSING FINISH		OPTIONS
400S = Red Single Face G400S = Green Single Face 400U = Red Universal G400U = Green Universal (Universal includes 2nd exit face and backplate)		LB = Less Battery WB = With Battery		BL = Black w/Alum Face BB = Black w/Black Face WH = White w/Alum Face WW = White w/White Face BA = Brushed Alum w/Alum Face		G2 ¹ = Self Test/Self Diagnostics DL ¹ = Downlight FL ¹ = Flasher BZ ¹ = Buzzer FB ¹ = Flasher & Buzzer A1 ¹ = Alarm Interface w/Flasher A2 ¹ = Alarm Interface w/Flasher & Buzzer 2CI = Two Circuit Input VL = Polycarbonate Vandal Lens for Exit Face TRH = Tamper Resistant Hardware TRT8 = Tamper Resistant Tool

¹ Not compatible with G2 option.



The 400C Series is the first universal LED die-cast aluminum exit/emergency combo unit available, combining an appealing design, the latest in die cast technology, and high performance electronics to ensure reliability.

DIMENSIONS



400C DIE-CAST LED EXIT COMBO

FEATURES

- Very first LED die cast combo on the market; unique new design provides spec-grade die cast EXIT sign with LED emergency lights in low-profile housing
- Premium-grade, die-cast aluminum housing
- Red or green high intensity LEDs
- Chevron style universal arrow knockouts
- 120/277V dual primary 60Hz input
- Short circuit and voltage surge protection
- Overcharge and Brown-out protected
- Low voltage disconnect eliminates deep discharge
- ETL recognized maintenance-free nicad battery
- ETL listed 90 minute emergency run time, 24 hour recharge time

WARRANTY

Any component that fails due to manufacturers defect is guaranteed for 5 years with a separate 5 year pro-rated warranty on the battery. The warranty does not cover physical damage, abuse or acts of God. Manufacturer reserves the right to charge for such repairs if deemed necessary.

CONFORMANCE TO CODES & STANDARDS

The 400C Series is U.L. Listed and meets or exceeds the following: U.L. 924, N.E.C. requirements and N.F.P.A. 101.

Specifications are subject to change without notice

ORDERING INFORMATION

400C

-

U

-

WW

SERIES

400C = Red LEDs
G400C = Green LEDs

FACE

1 = Single Face
U = Universal
Single/Double

HOUSING FINISH

WW = White w/White Face
BA = Brushed Aluminum w/Brushed Aluminum Face
BL = Black w/Brushed Aluminum Face
BB = Black w/Black Face

500 STEEL DIRECT VIEW LED EXIT

FEATURES

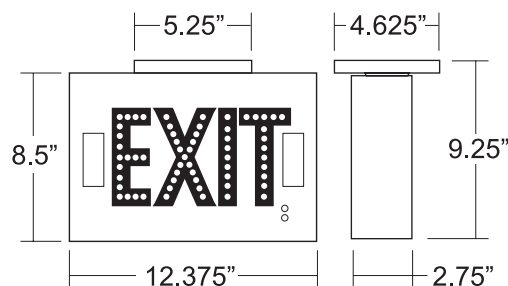
- Housing constructed of 20 gauge galvanized steel
- Red or green high intensity LEDs
- 1/8" protective polycarbonate shield
- Chevron style universal arrow
- 120/277V dual primary 60Hz input
- Short circuit and voltage surge protection
- Automatic diagnostic tester and EL option available
- Overcharge and Brown-out protected
- Low voltage disconnect eliminates deep discharge
- ETL recognized maintenance-free lead acid battery
- ETL listed 90 minute emergency run time, 24 hour recharge time

WARRANTY

Any component that fails due to manufacturers defect is guaranteed for 25 years with a separate 5 year pro-rated warranty on the battery. The warranty does not cover physical damage, abuse or acts of God. Manufacturer reserves the right to charge for such repairs if deemed necessary.

CONFORMANCE TO CODES & STANDARDS

The 500 Series are E.T.L. Listed and meets or exceeds the following: U.L. 924, N.E.C. requirements and N.F.P.A. 101.



EXIT SIGNS

ORDERING INFORMATION

G502	WB	WH	DL-C10	EL2A
SERIES	POWER SOURCE	HOUSING FINISH	OPTIONS (Factory Installed)	EL OPTION (Single Face Only)
502 = Red Single Face 503 = Red Double Face G502 = Green Single Face G503 = Green Double Face	LB = Less Battery WB = With Battery NC = NiCad* * Not Available with EL option	WH = White BL = Black	G1 = Self-Diagnostics DL = LED Down Light FL = Flasher BZ = Buzzer FB = Flasher & Buzzer A1 = Fire Alarm Interface w /Flasher A2 = Fire Alarm Interface w / Flasher & Buzzer DR = Damp Location Rating 2C11 = Two Circuit Input 120/120V 2C17 = Two Circuit Input 277/277V 2C117 = Two Circuit Input 120/277V TF1 = Extended Run Time Battery TRH = Tamper Resistant Hardware C = Custom Color Faceplates (See Chart)	EL2A ² = Par 36 White Thermoplastic EL2B ² = Par 36 Black Thermoplastic EL2E ² = Par 36 Brushed Aluminum EL2F ² = Par 36 White Aluminum EL2G ² = Par 36 Black Aluminum EL0 = 18 Watts of Remote Capacity (No Lamps) EL1 = (1) Remote Lamp Head (Consult Factory)

CUSTOM COLOR FACEPLATES

No.	Description
C1	Brushed Chrome Face w/Green Letters
C2	Black Face w/Chrome Letters
C3	Black Face w/Red Letters
C4	Black Face w/Green Letters
C5	Red Face w/White Letters
C6	White Face w/Red Letters
C7	Green Face w/White Letters
C8	Black Face w/White Letters
C9	Brushed Chrome Face w/Black Letters
C10	White Face w/Green Letters

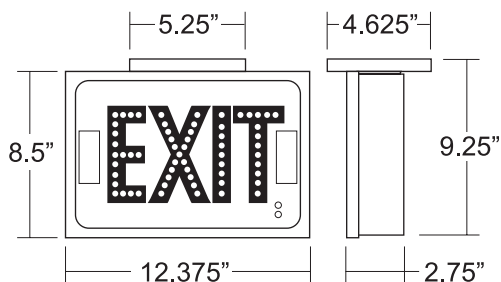
ER1-KIT
ACCESSORIES (Field Installed)
TRT6 = Tamper Resistant Tool ER1-KIT = 1' Pendant Kit ER2-KIT = 2' Pendant Kit

¹ Extended run time option continuously flashes in emergency (DC) mode. Not available with EL option.
² Includes (2) 6V/5.4W PAR36 lamps.

Specifications are subject to change without notice



EL2A OPTION



600 STEEL DIRECT VIEW LED EXIT

FEATURES

- Same great features as the 500 Series, but with an attractive, durable steel housing cover
- Housing constructed of 20 gauge galvanized steel
- Red or green high intensity LEDs
- 1/8" protective polycarbonate shield
- Chevron style universal arrow
- 120/277V dual primary 60Hz input
- Short circuit and voltage surge protection
- Automatic diagnostic tester and EL option available
- Overcharge and Brown-out protected
- Low voltage disconnect eliminates deep discharge
- ETL recognized maintenance-free lead acid battery
- ETL listed 90 minute emergency run time, 24 hour recharge time

WARRANTY

Any component that fails due to manufacturers defect is guaranteed for 25 years with a separate 5 year pro-rated warranty on the battery. The warranty does not cover physical damage, abuse or acts of God. Manufacturer reserves the right to charge for such repairs if deemed necessary.

CONFORMANCE TO CODES & STANDARDS

The 600 Series are E.T.L. Listed and meets or exceeds the following: U.L. 924, N.E.C. requirements and N.F.P.A. 101.

ORDERING INFORMATION

G602	WB	WH	DL-C10	EL2A
SERIES	POWER SOURCE	HOUSING FINISH	OPTIONS (Factory Installed)	EL OPTION (Single Face Only)
602 = Red Single Face 603 = Red Double Face G602 = Green Single Face G603 = Green Double Face	LB = Less Battery WB = With Battery NC = Ni Cad* <i>* Not Available with EL option</i>	WH = White BL = Black	G1 = Self-Diagnostics DL = LED Down Light FL = Flasher BZ = Buzzer FB = Flasher & Buzzer A1 = Fire Alarm Interface w /Flasher A2 = Fire Alarm Interface w / Flasher & Buzzer DR = Damp Location Rating 2C11 = Two Circuit Input 120/120V 2C17 = Two Circuit Input 277/277V 2C117 = Two Circuit Input 120/277V TF ¹ = Extended Run Time Battery TRH = Tamper Resistant Hardware C = Custom Color Faceplates (See Chart)	EL2A ² = Par 36 White Thermoplastic EL2B ² = Par 36 Black Thermoplastic EL2E ² = Par 36 Brushed Alum EL2F ² = Par 36 White Alum EL2G ² = Par 36 Black Alum EL0 = 18 Watts of Remote Capacity (No Lamps) EL1 = (1) Remote Lamp Head (Consult Factory)

CUSTOM COLOR FACEPLATES

No.	Description
C1	Brushed Chrome Face w/Green Letters
C2	Black Face w/Chrome Letters
C3	Black Face w/Red Letters
C4	Black Face w/Green Letters
C5	Red Face w/White Letters
C6	White Face w/Red Letters
C7	Green Face w/White Letters
C8	Black Face w/White Letters
C9	Brushed Chrome Face w/Black Letters
C10	White Face w/Green Letters

ER1-KIT
ACCESSORIES (Field Installed)
TRT6 = Tamper Resistant Tool ER1-KIT = 1' Pendant Kit ER2-KIT = 2' Pendant Kit

¹ Extended run time option continuously flashes in emergency (DC) mode. Not available with EL option.

² Includes (2) 6V/5.4W PAR36 lamps.

Specifications are subject to change without notice

700 STEEL DIFFUSED LED EXIT

FEATURES

- Enclosure constructed of 20 gauge galvanized steel
- Red or green high intensity LEDs
- Constant, uniform 3/4" fully illuminated letters
- Standard enclosure finishes - white or black
- Chevron style universal arrow knockouts
- 120/277V dual primary, 60Hz input
- Short circuit and voltage surge protection
- 25 year warranty
- G2 Self-Test/Self-Diagnostics available
- Flasher/Audible Alarm options meet ADA regulations
- EL option available - See photo insert
- Overcharge and Brown-out protected
- Low voltage disconnect eliminates deep discharge
- Maintenance-free NiCad battery (sealed lead-acid battery standard on units with EL option)
- E.T.L. listed 90 minute emergency run time, 24 hour recharge time

WARRANTY

Any component that fails due to manufacturers defect is guaranteed for 25 years with a separate 5 year pro-rated warranty on the battery. The warranty does not cover physical damage, abuse or acts of God. Manufacturer reserves the right to charge for such repairs if deemed necessary.

CONFORMANCE TO CODES & STANDARDS

The 700 Series is E.T.L. Listed and meets or exceeds the following: U.L. 924, N.E.C. requirements and N.F.P.A. 101.

ORDERING INFORMATION

G702	WB	WH	DL	EL2A
SERIES	POWER SOURCE	HOUSING FINISH	OPTIONS (Factory Installed)	EL OPTION (Available on Single Face Only)
702 = Red Single Face 703 = Red Double Face G702 = Green Single Face G703 = Green Double Face	LB = Less Battery WB = With Battery NC = NiCad* * Not Available with EL option	WH = White BL = Black	G2 = Self-Test/Self-Diagnostics DL = LED Down Light FL = Flasher BZ = Buzzer FB = Flasher & Buzzer A1 = Fire Alarm Interface w /Flasher A2 = Fire Alarm Interface w / Flasher & Buzzer DR = Damp Location Rating 2C11 = Two Circuit Input 120/120V 2C17 = Two Circuit Input 277/277V 2C117 = Two Circuit Input 120/277V MR1 = 1" Remote Steel Unit MR2 = Remote Twin Unit TRH = Tamper Resistant Hardware SS = Custom Face	EL2A ¹ = Par 36 White Thermoplastic EL2B ¹ = Par 36 Black Thermoplastic EL2E ¹ = Par 36 Brushed Aluminum EL2F ¹ = Par 36 White Aluminum EL2G ¹ = Par 36 Black Aluminum EL0 = 18 Watts of Remote Capacity (No Lamps)
				ER1-KIT
				ACCESSORIES (Field Installed)
				TRT6 = Tamper Resistant Tool ER1-KIT = 1' Pendant Kit ER2-KIT = 2' Pendant Kit

Specifications are subject to change without notice

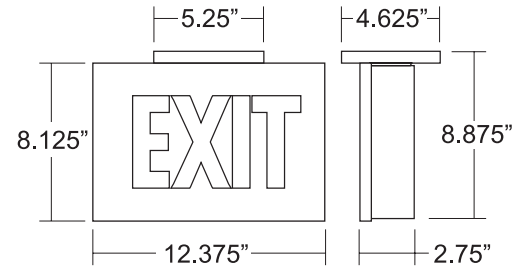
¹ Includes (2) 6V/5.4W PAR36 lamps.



Custom legends available
See page 75

The 700 Series EXIT features high intensity red or green LEDs providing bright and uniform illumination, while offering durability and strength in a 20 gauge steel enclosure.

DIMENSIONS





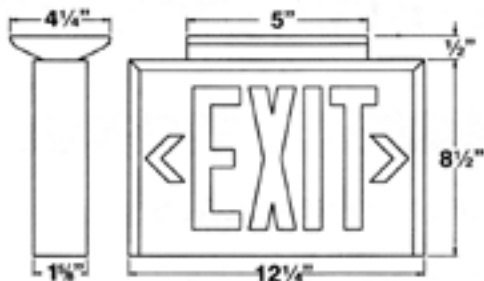
VEX-S STEEL DIFFUSED LED EXIT

FEATURES

- Welded steel-housing
- Red or green high intensity LEDs
- Constant uniform illumination
- 3/4" fully illuminated letters
- Color matched diffuser provides optimal light output
- Universal mount
- Mounting canopy included
- Chevron style universal arrows
- 120/277V dual primary 60Hz input
- Short circuit protection
- Voltage surge protection
- Solid-state, constant current type charger
- Maintenance-free nickel cadmium battery
- Low voltage disconnect eliminates deep discharge
- Brown-out protection
- E.T.L. listed 90 minute emergency run time, 12 hour recharge time

Attractive and easy to install. The VEX-S offers quality LED illumination and electronics in a durable steel enclosure. The VEX-S is ideal for any commercial, institutional, or industrial application.

DIMENSIONS



WARRANTY

Any component that fails due to manufacturers defect is guaranteed for 3 years with a separate 5 year pro-rated warranty on the battery. The warranty does not cover physical damage, abuse or acts of God. Manufacturer reserves the right to charge for such repairs if deemed necessary.

CONFORMANCE TO CODES & STANDARDS

The VEX-S Series is E.T.L. Listed and meets or exceeds the following: U.L. 924, N.E.C. requirements and N.F.P.A. 101.

ORDERING INFORMATION

G	-	VEX	-	U	-	S	-	WB	-	WH	-	DR
LED COLORS		MODEL		FACE STYLE		HOUSING TYPE		POWER SOURCE		HOUSING FINISH		OPTIONS
Blank = Red G = Green		VEX		U = Universal (includes 2 face plates, back plate and mounting canopy)		S = Steel		LB = Less Battery WB = With Battery		WH = White BL = Black		DR = Damp Rated

Specifications are subject to change without notice

VEX-S STEEL DIFFUSED LED EXIT COMBO

FEATURES

- 20 gauge steel housing with white powder coated finish
- Red or green high intensity LEDs
- Constant uniform, 3/4" fully illuminated letters
- Lamp heads available in 7.2W or 9W configurations
- Universal enclosure design
- Mounting canopy included
- Chevron style universal arrows
- 120/277V dual primary 60Hz input
- Short circuit and voltage surge protection
- Solid-state, constant current type charger
- Flasher/buzzer options meet ADA regulations
- AC indicator and push-to-test switch
- Low voltage disconnect eliminates deep discharge
- Brown-out protection
- E.T.L. listed 90 minute emergency run time, 12 hour recharge time

WARRANTY

Any component that fails due to manufacturers defect is guaranteed for 3 years with a separate 5 year pro-rated warranty on the battery. The warranty does not cover physical damage, abuse or acts of God. Manufacturer reserves the right to charge for such repairs if deemed necessary.

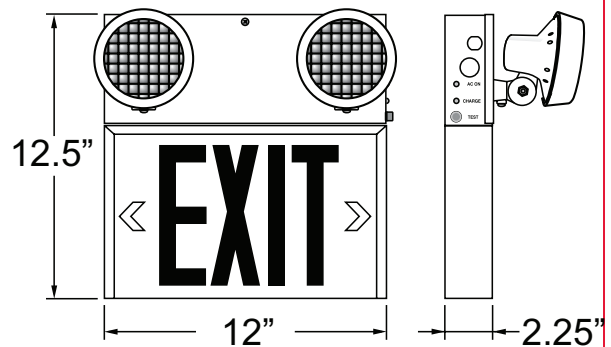
CONFORMANCE TO CODES & STANDARDS

The VEX Series is E.T.L. Listed and meets or exceeds the following: U.L. 924, N.E.C. requirements and N.F.P.A. 101.



The steel VEX series combines LED technology and proven emergency lighting capabilities in a durable 20 gauge steel enclosure.

DIMENSIONS



ORDERING INFORMATION

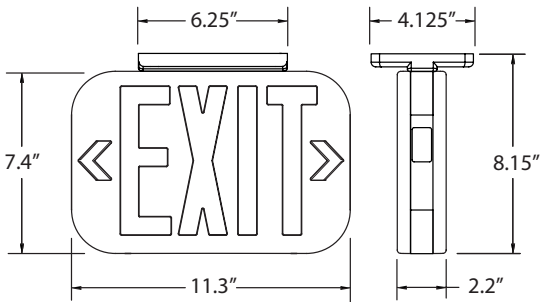
G	-	VEX-U	-	S	-	6-27	-	WH	-	A1
LED COLORS		MODEL		HOUSING TYPE		VOLTS/WATTS		HOUSING FINISH		OPTIONS
Blank = Red G = Green		VEX-U		S = Steel		6-18 = 6V/18W (2) 7.2W PAR36 Lamps 6-27 = 6V/27W (2) 9W PAR36 Lamps		WH = White BL = Black		A1 = Fire Alarm Interface TA = 120V Time Delay TB = 277V Time Delay

Specifications are subject to change without notice



The Illuminex Series LED Exit Sign combines an attractive, easy-to-install compact contemporary design with proven, ultra-reliable electronics to provide the very best in energy efficient emergency lighting.

DIMENSIONS



ILLUMINEX THERMOPLASTIC LED EXIT

FEATURES

- Easy to install, snap together design
- Ultra-compact, low-profile design
- Long life, high output red or green LEDs
- Injection-molded UL94 V-0 flame retardant, high-impact thermoplastic housing
- Molded wireways for internal wire routing and connections
- Universal J-Box mounting pattern
- Completely self-contained
- Damp Location Rated
- Universal mount, includes 2 face plates, backplate and mounting canopy
- Replaceable chevron arrows
- 120/277/VAC dual voltage input
- Overload/short circuit protected
- Voltage surge protected
- Maintenance-free nickel cadmium battery
- Solid state, constant current type charger
- Brown-out protection

WARRANTY

Any component that fails due to manufacturers defect is guaranteed for 1 year with a separate 5 year pro-rated warranty on the battery. The warranty does not cover physical damage, abuse or acts of God. Manufacturer reserves the right to charge for such repairs if deemed necessary.

CONFORMANCE TO CODES & STANDARDS

The ILX Series is E.T.L. Listed and meets or exceeds the following: U.L. 924, N.E.C. requirements and N.F.P.A. 101.

ORDERING INFORMATION

ILX	-	R	-	EM	-	WH	-	ILPA
SERIES		LED COLOR		POWER SOURCE		HOUSING FINISH		ACCESSORIES (Enter as separate line item)
ILX		R = Red G = Green		EM = NiCad Battery		WH = White BL = Black		ILPA = Pendant Adapter ER1-KIT = 12" Pendant Kit ER2-KIT = 24" Pendant Kit

Specifications are subject to change without notice

VEX CONTRACTOR GRADE THERMOPLASTIC LED EXIT



Custom legends available
See page 75

FEATURES

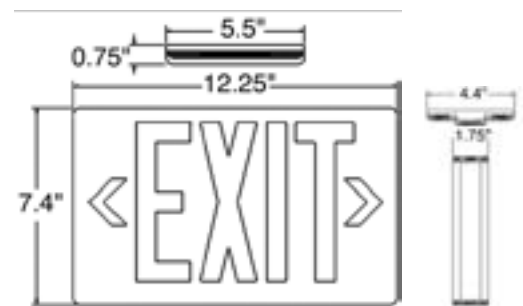
- Easy to install, snap together design
- Long life, high output red or green LEDs
- Injection-molded V-O flame retardant, high-impact thermoplastic housing
- Molded wireways for internal wire routing and connections
- Universal J-Box mounting pattern, canopy included
- Compact, low-profile design
- Universal enclosure design, replaceable chevron arrows
- Available in white or black finishes
- NiCad battery supplied standard, sealed lead acid battery supplied in units with remote capability
- Damp location rated
- 120/277VAC dual input
- Overload/short circuit protected
- Voltage surge protected
- Solid state, constant current type charger
- Brown-out protection
- Remote capabilities up to 27 watts (VEX-U-BP-R27)

Attractive and easy to install. The VEX Series combines quality LED illumination with contemporary, soft corner styling to complement any application. Battery packs are completely self-contained and offer expanded wattages for remote lighting requirements.

WARRANTY

Any component that fails due to manufacturers defect is guaranteed for 5 years with a separate 5 year pro-rated warranty on the battery. The warranty does not cover physical damage, abuse or acts of God. Manufacturer reserves the right to charge for such repairs if deemed necessary.

DIMENSIONS



CONFORMANCE TO CODES & STANDARDS

The VEX Series is E.T.L. Listed and meets or exceeds the following: U.L. 924, N.E.C. requirements and N.F.P.A. 101.

ORDERING INFORMATION

VEX	U	BP	WB	WH	R27
SERIES	FACE STYLE	HOUSING TYPE	POWER SOURCE	HOUSING FINISH	OPTIONS
VEX = Red GVEX = Green	U = Universal (Includes 2 face plates, backplate and canopy)	BP = Plastic	LB = Less Battery WB = With Battery	WH = White BL = Black	G1 ¹ = Self-Test G2 ¹ = Self Test/Self Diagnostics 2CI ³ = Two Circuit Input R = 12 Watts Remote Capacity R27 = 27 Watts Remote Capacity DL ² = Downlight FL ² = Flasher BZ ² = Buzzer FB ² = Flasher/Buzzer A1 ² = Alarm Interface w/Flasher A2 ² = Alarm Interface w/Flasher & Buzzer 220 = 220V, 50Hz Input SS = Specialty Sign (Please Specify)
ER1-KIT					
ACCESSORIES (Enter as separate line item)					
ER1-KIT = 12" Pendant Kit ER2-KIT = 24" Pendant Kit					

¹ Not compatible with any other options.
² Not available on units with remote capacity.
³ AC units only.

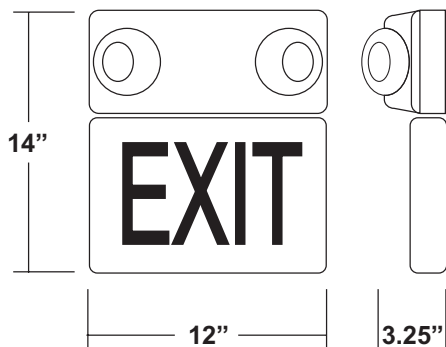
Specifications are subject to change without notice

VEX-EL55H THERMOPLASTIC COMBO EXIT



The VEX-EL55H thermoplastic combination units combine a low-profile, contemporary appearance with economy and dependability. It's compact, streamlined design features fully adjustable designer heads to complement any environment.

DIMENSIONS



FEATURES

- Damp location rated
- Fully adjustable 5 watt halogen MR-16 top mounted lamp heads
- Reliable, long-lasting LED illumination, uses less than 3 watts
- Universal, field-selectable chevrons
- Automatic brownout protection
- Compact, streamlined design
- Contractor friendly, snap-together design
- Built in conduit mounting feature
- UV stable, thermoplastic components
- UL 94-5VA flame rating
- 120/277V dual primary 60Hz input
- Automatic solid state charger
- Low voltage disconnect protects battery
- UL Listed
- 90 minute emergency run time
- Momentary test switch and LED charge indicator

WARRANTY

Any component that fails due to manufacturers defect is guaranteed for 1 year with a separate 5 year pro-rated warranty on the battery. The warranty does not cover physical damage, abuse or acts of God. Manufacturer reserves the right to charge for such repairs if deemed necessary.

CONFORMANCE TO CODES & STANDARDS

The EL55H Series is U.L. Listed and meets or exceeds the following: U.L. 924, N.E.C. requirements and N.F.P.A. 101.

ORDERING INFORMATION

G	-	VEX	-	U	-	WB	-	WH	-	EL55H	-	G2
LED COLORS	MODEL	FACE STYLE	POWER SOURCE	HOUSING FINISH	LAMP HEADS	OPTIONS						
Blank = Red G = Green	VEX	U = Universal (Includes 2 face plates, backplate and canopy)	WB = With Battery	WH = White BL = Black	EL55H = 5W MR-16 Lamps	G2 = Self-Test/Self-Diagnostics						

Specifications are subject to change without notice

VEX-EL90 THERMOPLASTIC COMBO EXIT

FEATURES

- Damp location rated
- Easy to install, snap together design
- Injection-molded, UL94 V-0 flame rated, high impact, thermoplastic housing
- Molded wireways for internal wire routing and connections
- 6 volt, 5.4 watt high intensity tungsten (H.I.T.) lamps
- Remote capacity option provides 12 watts of remote power
- Available in white or black finishes
- 6" letter with a 3/4" stroke
- Long-Life, high intensity, red or green LEDs
- Snap-in chevron type directional arrows
- Universal J-Box mounting pattern, canopy included
- 120/277 VAC dual input
- Short circuit, voltage surge, brown-out and low battery voltage disconnect protected
- LED indicator light and push to test switch
- Meets ADA fixture requirements
- Long life maintenance-free sealed lead acid battery
- 90 minute ETL listed emergency run time

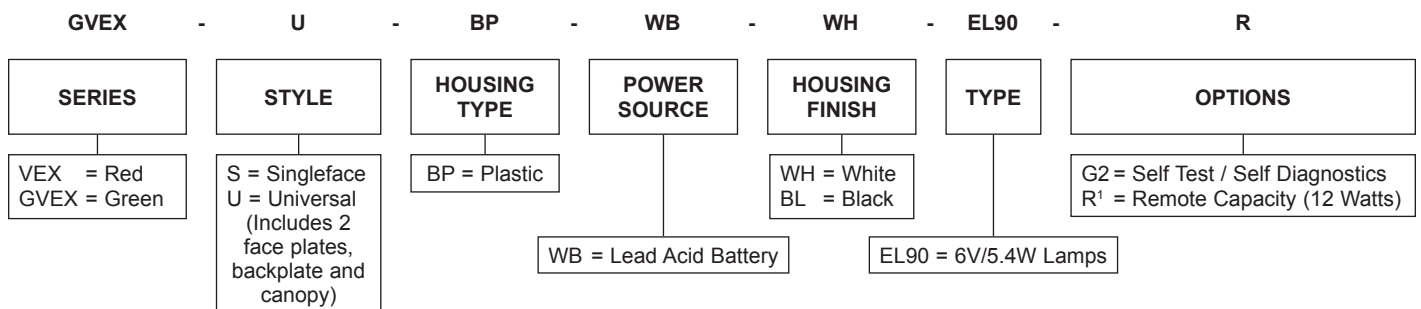
WARRANTY

Any component that fails due to manufacturers defect is guaranteed for 5 years with a separate 5 year pro-rated warranty on the battery. The warranty does not cover physical damage, abuse or acts of God. Manufacturer reserves the right to charge for such repairs if deemed necessary.

CONFORMANCE TO CODES & STANDARDS

The EL90 Series is E.T.L. Listed and meets or exceeds the following: U.L. 924, N.E.C. requirements and N.F.P.A. 101.

ORDERING INFORMATION

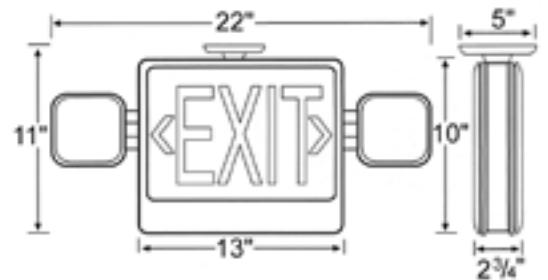


¹ Remote units with G2 option MUST have remote heads attached for G2 to function correctly.



Attractive low-profile design allows for mounting above doors and restricted spaces. The EL90 offers full 180° lamp rotation to fit any application.

DIMENSIONS



Specifications are subject to change without notice

VRC WET LOCATION RATED EXIT & COMBO

FEATURES

- UV stabilized, impact & corrosion resistant ABS plastic enclosure, grey finish
- One-piece molded, weather-proof gasket
- External LED status indicator and test switch
- Face secured with polycarbonate pressure screws
- Removable chevron style arrows
- Completely self-contained
- Maintenance-free NiCad battery rated 0° to 40°C (exit)
- Maintenance-free sealed lead acid battery rated 19° to 30°C (combo unit)
- 120/277 VAC operation
- Regulated charging unit
- Brown-out, reverse polarity and short-circuit protected
- Low voltage battery disconnect

WARRANTY

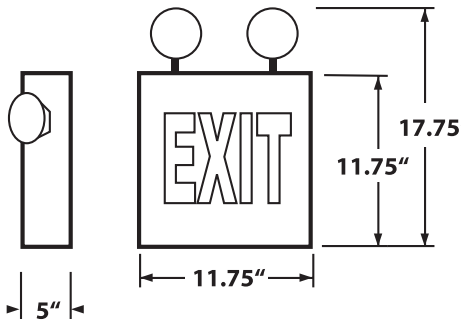
Any component that fails due to manufacturers defect is guaranteed for 3 years with a separate 5 year pro-rated warranty on the battery. The warranty does not cover physical damage, abuse or acts of God. Manufacturer reserves the right to charge for such repairs if deemed necessary.

CONFORMANCE TO CODES & STANDARDS

The VRC Series is U.L. Listed and meets or exceeds the following: U.L. 924, N.E.C. requirements and N.F.P.A. 101.

Specifications are subject to change without notice

DIMENSIONS



The VRC Series is engineered to perform in the most extreme environments. A fully gasketed polycarbonate lens and ABS housing enable the VRC to be installed in locations that require Wet Location Rated protection.

ORDERING INFORMATION

VRC - 1 - R - WB - T - R

SERIES	# OF FACES	LED COLOR	OPERATION	EMERGENCY HEADS	OPTIONS
VRC	1 = Single Face	R = Red G = Green	LB = AC Only WB = With Battery	BLANK = None T = Top Mount	G2 = Self-Test/Self-Diagnostics R ¹² = Remote Capable FL ² = Flasher BZ ² = Buzzer A1 ² = Fire Alarm Interface 2C1 ² = Two Circuit Input 120/120V 2C17 ² = Two Circuit Input 277/277V 2C117 ² = Two Circuit Input 120/277V TA = 120V Time Delay (Combo Only) TB = 277V Time Delay (Combo Only) SS = Custom Face Legend

¹ Remote capability up to 25 watts on exits, and up to 11 watts on combo units.

² Not compatible with G2 option.

EXI-Glow PHOTOLUMINESCENT EXITS

FEATURES

- Requires no additional electricity to operate
- Reliability
- Non-toxic, non-radioactive
- Low-cost, easy installation
- Designed for surface, flag or ceiling mounting
- Can be used for both high-level and low-level applications
- Requires virtually no maintenance, periodic inspections, for 25+ years
- Thin, low profile construction
- Consistent, uniform illumination
- Visible at 50 feet in total blackout or heavy smoke conditions
- Saves on energy costs
- Patent pending design

WHAT IS EXI-GLOW?

A non-toxic, non-radioactive film which glows in the dark after exposure to a light source. The film absorbs and stores energy from ambient or UV light and then releases this energy in the event of darkness.

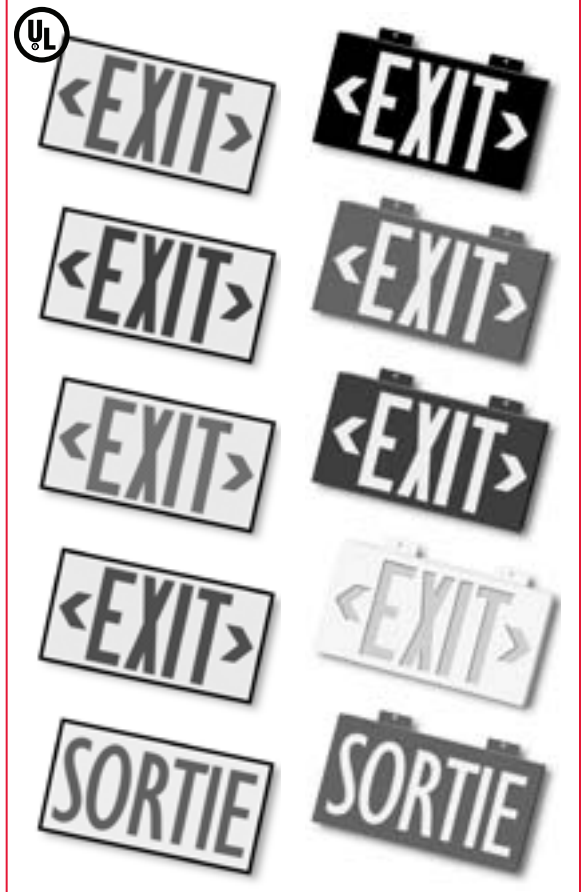
Note: For Exit Signs, it must be determined that there is a minimum of 54 lux of fluorescent, metal halide or mercury vapor light on the face(s) of the sign at all times during building occupancy.

CONFORMANCE TO CODES & STANDARDS

Listed to U.L. 924, IEC ES #6040 meeting all current building codes: 1997 Uniform Building Code™, the 2000 International Building Code®, the BOCA® National Building Code/1999 and the 1999 Standard Building Code©. Meets NFPA Life Safety Code 101® and 101B®, NFPA 5000 Building Construction & Safety Code™, 1998 California Building Code, 1998 California Fire Code, 2003 International Building Code®.

ORDERING INFORMATION

Exit Black	Exit Red	Exit Green	Exit White	Sortie Red	Description
PL-1-F-1-B	PL-1-F-1-R	PL-1-F-1-G	PL-1-F-1-W	PL-1-F-1-R-S	Framed, Single face sign (wall mount)
PL-1-F-2-B	PL-1-F-2-R	PL-1-F-2-G	PL-1-F-2-W	PL-1-F-2-R-S	Framed, Single face sign with mounting bracket
PL-2-F-2-B	PL-2-F-2-R	PL-2-F-2-G	PL-2-F-2-W	PL-2-F-2-R-S	Framed, Double face sign with mounting bracket
PL-MB-B	PL-MB-R	PL-MB-G	PL-MB-W	PL-MB-R	Mounting bracket
	PL-1-U-1-R	PL-1-U-1-G		PL-1-U-2-R-S	Unframed, single face sign (wall mount), printed letters
	PL-1-U-1-R-RL	PL-1-U-1-G-GL			Unframed, single face sign (wall mount), reflective letters
*PL-CMC	Clear mounting clip (4 pc/bag & 10 bag/case)				



EXIT SIGNS

Exit-Glow Exit Signs utilize the latest photoluminescent technology to absorb and store ambient fluorescent or metal halide light. In the event of an emergency with blackout or smoky conditions this stored energy is immediately visible, creating a clearly recognizable, photoluminescent egress indicator.

Specifications are subject to change without notice



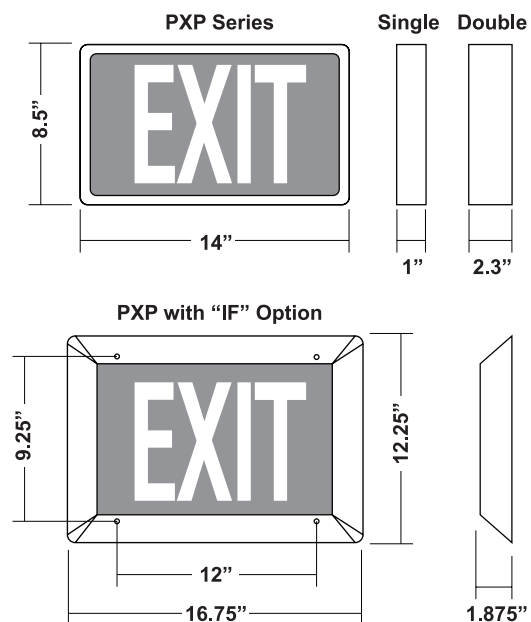
PXP SELF-LUMINOUS EXITS

FEATURES

- Self-powered, always illuminated. Sign provides constant, uninterrupted illumination and requires no external power source
- Quick, easy universal mounting, no wiring needed
- Maintenance-free unit, contains no circuitry, lamps or batteries to replace
- Energy efficient, consumes zero electricity during effective life of 10, 15, or 20 years
- Available with legend colors red, green, black or white
- Optional security lens available
- Constant, uniform illumination
- Full illuminated 6" letters with 3/4" stroke
- Extreme temperature rated, unit is rated to operate in temperatures from -65°F to 176°F
- Explosion-proof, contains no electrical components or spark producing matter, ideal for hazardous location applications
- Suitable for wet and damp locations
- Vibration-proof
- Custom legends or pictures available

Exitronix Self Luminous Signs are the practical solution for Exit and Safety Signs where electricity is unavailable. These signs are totally self-contained, durable and attractive. They are completely free of outside energy sources and provide 10 to 20 years of continuous, maintenance-free illumination.

DIMENSIONS



"IF" Option Features (all of the above, plus...)

- Attractive, heavy duty, tapered, cast aluminum frame, ideal for any institution or high abuse areas
- Solid 3/8" thick vandal-resistant polycarbonate lens
- No sharp edges or corners
- Available in both single and double face configuration
- Approved for low-level or above door use

CONFORMANCE TO CODES & STANDARDS

E.T.L. listed. Meets UL 924 and NFPA Life Safety Code requirements, Class I, II and III conditions.

WARRANTY

Our Self Luminous Products are warranted against any defects in material or workmanship for the rated life of the product.

Specifications are subject to change without notice

ORDERING INFORMATION

PXP - 1G - 20 - BL - IF

SERIES	LEGEND	PRODUCT LIFE	HOUSING FINISH	OPTIONS
PXP = Self-Luminous Exit	1B = Single Face Black 2B = Double Face Black 1G = Single Face Green 2G = Double Face Green 1R = Single Face Red 2R = Double Face Red 1W = Single Face White 2W = Double Face White	10 = 10 Years 15 = 15 Years 20 = 20 Years	WH = White BL = Black BA = Brushed Alum GR = Grey	IF ¹ = Institutional Frame SL ² = Security Polycarbonate Lens SS = Custom Legend P12 = 12" Swivel Pendant P24 = 24" Swivel Pendant P36 = 36" Swivel Pendant P48 = 48" Swivel Pendant

¹ Singleface Only.
² Not available with BA housing.

STEALTH RECESSED EMERGENCY LIGHT

FEATURES

- Standard with G2 Self-Test/Self-Diagnostics
- Following AC power failure, cover doors open instantly and provide emergency lighting to area required, with automatic retraction when AC power is restored
- Cover doors may be color matched, textured, or even wall-papered to match any interior finish. When closed in normal mode, the unit is almost invisible
- Recessed Wall or Ceiling mount
- Doors are operated automatically using a spring and solenoid with magnetic latch for years of worry-free operation
- Flush fitting covers feature internal reflective surfaces to maximize light output
- No unauthorized access to lamp heads prevents tampering

ILLUMINATION

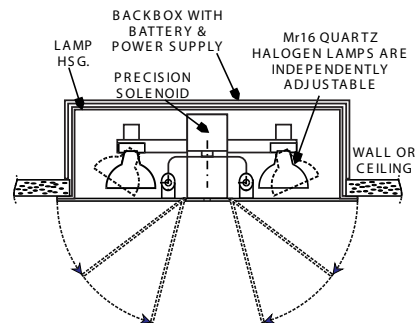
- Dual MR16 Quartz Halogen lamps available in 20, 35, 50, or 75 watts
- Lamps have a life of up to 5,000 hours, most installations will never require replacement
- Swivel mounted lamps are fully adjustable and lock into the desired position

ELECTRONICS

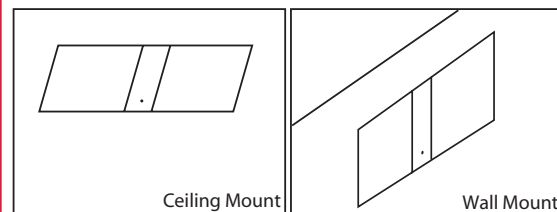
- Universal AC input 120/277 VAC
- Low power consumption in standby mode
- Isolated switch mode power supply with regulated current and voltage output to lamp load and battery
- Automatic, controlled charge rate for fast charging and maximum battery life.

CONFORMANCE TO CODES & STANDARDS

The Stealth Series is E.T.L. Listed and meets or exceeds the following: U.L. 924, N.E.C. requirements and N.F.P.A. 101.



NORMAL MODE- CLOSED



WARRANTY

Any component that fails due to manufacturers defect is guaranteed for 5 years with a separate 5 year pro-rated warranty on the battery. The warranty does not cover physical damage, abuse or acts of God. Manufacturer reserves the right to charge for such repairs if deemed necessary.

EMERGENCY LIGHTS

ORDERING INFORMATION

S	-	50	-	WB	-	2	-	RTP
MODEL		LAMP WATTAGE		BATTERY TYPE		BATTERY RUN TIME		OPTIONS
S = Stealth		20 = 20W Lamps 35 = 35W Lamps 50 = 50W Lamps 75 = 75W Lamps		WB = Sealed Lead Calcium NC ¹ = Nickel Cadmium NM ² = Nickel Metal Hydride		BLANK = 90 MIN 2 = 2 Hour 4 ³ = 4 Hour		RTP = Remote Test Panel DR = Suitable for Damp Location SM = Surface Mount CF(X) = Custom Finish (X = Color Selection)

¹ Nickel Cadmium not available in 75W units.

² Only available in 75W units.

³ Only available in 20W units.

Specifications are subject to change without notice



TRITON LED INDOOR/OUTDOOR EMERGENCY

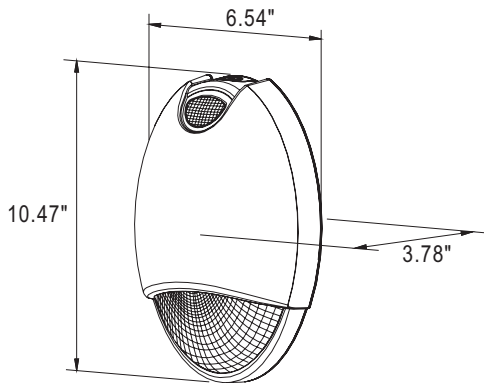
FEATURES

- Contemporary, low-profile, streamlined design
- Suitable for Damp or Wet Locations
- Operation temperature range: 0°C - 50°C
- Optional Cold Location package (-20°C - 50°C)
- Maintenance free, 10 watt high performance LED with an expected life of up to 50,000 hours
- Self-test/self-diagnostics function included standard
- Durable die-cast aluminum housing with bronze finish
- UV stable polycarbonate lens
- Mirrored reflector for enhanced light output
- UL94-5VA flame rating on polycarbonate components
- Quick connect mounting back plate
- Removable mounting knock-outs and J-box pattern on back panel
- 120/277V dual primary 60Hz input
- A 1/2" NPT threaded conduit opening is provided at the top of the enclosure and sealed with a closure plug



The Triton LED is an indoor or outdoor, die-cast architectural high performance LED fixture designed to work in two applications; Emergency Lighting and combined General/Emergency Lighting.

DIMENSIONS



EMERGENCY LIGHT FEATURES

- Test switch and charge rate indicator.
- Nickel cadmium battery delivers more provides 90 minutes of emergency run time to emergency lamps
- Low voltage disconnect prevents deep discharge damage

UNITED GENERAL LIGHTING & EMERGENCY LIGHTING (ACEM)

- Switched on/off by photosensor when ambient light is getting dark
- When AC power supply fails, the unit will automatically provide emergency light

CONFORMANCE TO CODES & STANDARDS

The Triton LED Series meets or exceeds all performance standards as required by UL 924, UL 1598, UL 8750, NFPA 70, NFPA 101, NEC 700.16, RoHS and WEEE.

WARRANTY

Any component that fails due to manufacturers defect is guaranteed for 3 years with a separate 5 year pro-rated warranty on the battery. The warranty does not cover physical damage, abuse or acts of God. Manufacturer reserves the right to charge for such repairs if deemed necessary.

ORDERING INFORMATION

TRL	-	ACEM	-	BR	-	CL
SERIES		PRODUCT CATAGORY		HOUSING FINISH		OPTIONS
TRL = Triton LED		EM = Emergency Lighting ACEM = United AC & EM		BR = Dark Bronze		CL = Cold Location Package

Specifications are subject to change without notice

TRITON INDOOR/OUTDOOR EGRESS LIGHTING

FEATURES

- Contemporary, low-profile, streamlined design
- Suitable for Damp or Wet Locations (0° to 50°C)
- Optional Cold Weather package (-20° to 50°C)
- 2 x 6V 6W Xenon lamps for emergency mode
- Durable die-cast aluminum housing
- Optional remote unit available (See Page 65)
- Standard G2 Self-Test/Self-Diagnostics
- UV stable polycarbonate lens
- Mirrored reflector for enhanced light output
- UL94-5VA flame rating on polycarbonate components
- Test switch and charge rate indicator.
- 120/277V dual primary 60Hz input
- Quick connect mounting back plate
- Optional LED lamps with photosensor provide decorative lighting at night when unit is not in emergency mode
- Low voltage disconnect

CONFORMANCE TO CODES & STANDARDS

The Triton Series is E.T.L. Listed and meets or exceeds all performance standards as required by UL 924, NFPA 70, NFPA 101, NEC 700.16 and OSHA.

WARRANTY

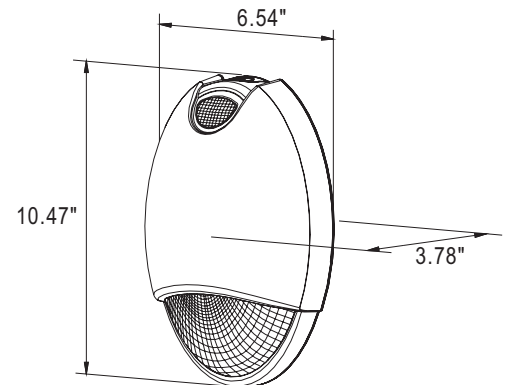
Any component that fails due to manufacturer's defect is guaranteed for 5 years with a separate 5 year pro-rated warranty on the battery. The warranty does not cover physical damage, abuse or acts of God. Manufacturer reserves the right to charge for such repairs if deemed necessary.

Specifications are subject to change without notice



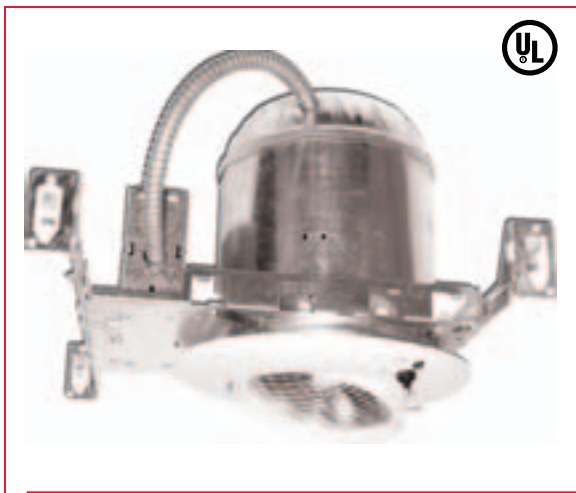
The Exitronix Triton series is ideal for applications where low-profile, architectural emergency egress lighting is required. Contemporary design and durable die-cast aluminum construction provide attractive, reliable egress lighting that blends seamlessly into any exterior design. Perfect for damp, wet, or cold environments.

DIMENSIONS



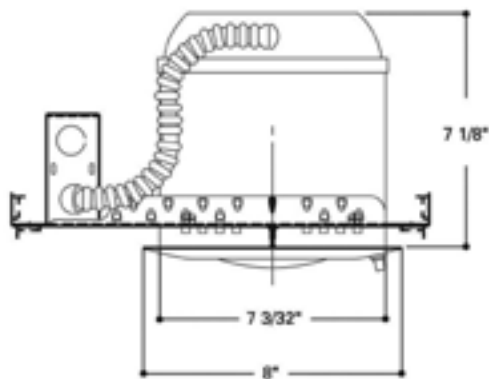
ORDERING INFORMATION

TR	WB	BL	SRG
SERIES	STYLE	HOUSING FINISH	OPTIONS
TR = Triton	WB = NiCad Battery RM = Remote Unit Only* *Does not include battery or charging circuit, requires separate 6 volt power supply, Not available with any other options.	WH = White BL = Black BR = Dark Bronze	CL = Cold Location Package SRG = Green LED & Sensor SRB = Blue LED & Sensor SRA = Amber LED & Sensor SRW = White LED & Sensor



The RDG emergency luminaire has been designed to be fully recessed and blend in with the surrounding environment. The gimbal assembly is constructed of corrosion and flame resistant lightweight aluminum. All RDG electronics are fully self-contained within the housing; this allows for easy handling and effortless installation. The standard trim plate comes in a powder coat white finish.

DIMENSIONS



RDG RECESSED ADJUSTABLE GIMBAL RING

FEATURES

- Completely self-contained
- Compact, flush mount design
- Mounting bar hangers included
- Push-to-test switch
- 6V, sealed lead acid, maintenance-free battery
- Environmentally-coated, solid state charger
- Automatic, low-voltage disconnect (LVD)
- 120V/277V Dual voltage operation standard
- Adjustable aiming angle
- Charge rate/power "ON" LED indicator light
- Gimbal ring trim available in black or white
- 8W bi-pin halogen lamp
- 90 minute emergency run time
- Meets NFPA Life Safety Code 101, NEC, OSHA, Local and State Codes
- UL924 listed

CONFORMANCE TO CODES & STANDARDS

The Stealth Series is U.L. Listed and meets or exceeds the following: U.L. 924, N.E.C. requirements and N.F.P.A. 101.

WARRANTY

Any component that fails due to manufacturer's defect is guaranteed for 3 years with a separate 5 year pro-rated warranty on the battery. The warranty does not cover physical damage, abuse or acts of God. Manufacturer reserves the right to charge for such repairs if deemed necessary.

ORDERING INFORMATION

RDG	-	6	-	8	-	WH
SERIES		VOLTAGE		LAMP		HOUSING FINISH
RDG= Recessed Gimble		6 = 6 Volt		8 = 8 Watt Halogen 12 = 12 Watt Halogen		WH = White Finish BL = Black Finish

Specifications are subject to change without notice

RM DECORATIVE SQUARE EMERGENCY LIGHTING

FEATURES

- RM comes standard with two high-impact, thermoplastic PAR 36 lamps (voltage and wattage dependant on unit selected)
- Rugged 20 gauge steel construction with durable white powder coated finish
- Compact, flush-mounted design, suitable for recessed wall or ceiling mounting
- Maintenance-free sealed lead acid or optional NiCad battery
- Automatic low voltage disconnect, AC lockout and brownout protection
- Dual input 120/277 volt 60Hz
- Push to test switch, LED charge indictator
- Optional G2 self-test/self-diagnostics available
- 90 min emergency run time

WARRANTY

Any component that fails due to manufacturer's defect is guaranteed for 3 years with a separate 5 year pro-rated warranty on the battery. The warranty does not cover physical damage, abuse or acts of God. Manufacturer reserves the right to charge for such repairs if deemed necessary.

CONFORMANCE TO CODES & STANDARDS

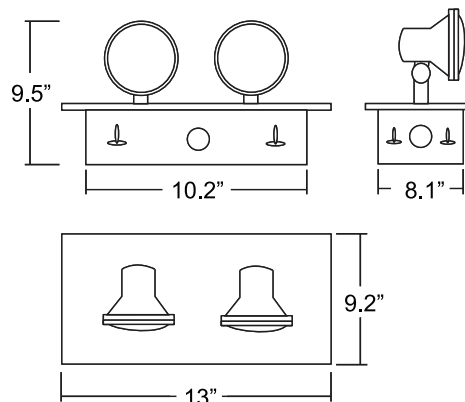
The RM Series is U.L. Listed and meets or exceeds the following: U.L. 924, N.E.C. requirements and N.F.P.A. 101.

Specifications are subject to change without notice



The RM Series recessed emergency light will complement any decor, offering a low profile, unobtrusive design combined with a rugged steel housing and reliable electronics.

DIMENSIONS



EMERGENCY LIGHTS

ORDERING INFORMATION

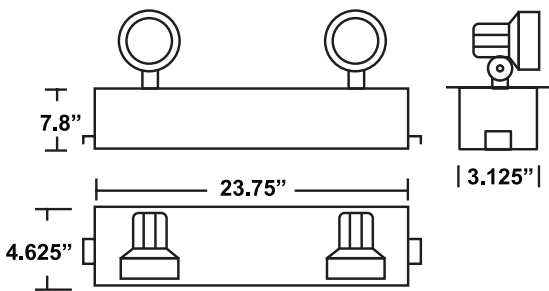
RM6	36	T0609	2	W	G2
SERIES	WATTAGE	LAMP HEADS	# OF LAMPS	HOUSING FINISH	OPTIONS
RM6 = 6 Volt Lead Acid RM12 = 12 Volt Lead Acid RM6N = 6 Volt NiCad RM12N = 12 Volt NiCad	<u>6 Volt Lead Calcium</u> 12 = 12 Watt 18 = 18 Watt 27 = 27 Watt 36 = 36 Watt <u>12 Volt Lead Calcium</u> 36 = 36 Watt <u>6 Volt NiCad</u> 12 = 12 Watt 18 = 18 Watt 27 = 27 Watt 36 = 36 Watt <u>12 Volt NiCad</u> 36 = 36 Watt	<u>6V Tungsten Wedge Base</u> T0607 = 7 Watt T0609 = 9 Watt <u>6V Halogen</u> T06H12 = 12 Watt <u>12V Tungsten Wedge Base</u> T1209 = 9 Watt T1212 = 12 Watt T1218 = 18 Watt <u>12V Sealed Beam Halogen</u> R12H08 = 8 Watt R12H12 = 12 Watt (Suggested heads are listed above)	2 = 2 Lamps	W = White	G2 = Self-Test/Self Diagnostics TD = Time Delay (120/277V) CC = Custom Finish

CR RECESSED T-BAR EMERGENCY LIGHTING



The Recessed T-Bar CR Series combines performance and dependability into a rugged 20 gauge enclosure. Designed specifically for T-bar type ceiling grid systems, this recessed installation provides a clean, architectural appearance. The CR Series is available with a wide range of lamp heads to fit any application.

DIMENSIONS



FEATURES

- 6 or 12 Volt, 27 to 54 Watt
- Designed specifically for T-bar type ceiling grid systems
- Accepts up to four lamp heads
- Rugged 20 gauge steel housing with white powder coated finish
- Optional G2 self-diagnostics available
- Maintenance-free, sealed lead acid batteries
- Test button and LED charge indicator light
- Optional time delay available
- 120/277 VAC input

CONFORMANCE TO CODES & STANDARDS

The CR Series is U.L. Listed and meets or exceeds the following: U.L. 924, N.E.C. requirements and N.F.P.A. 101.

WARRANTY

Any component that fails due to manufacturer's defect is guaranteed for 5 years with a separate 5 year pro-rated warranty on the battery. The warranty does not cover physical damage, abuse or acts of God. Manufacturer reserves the right to charge for such repairs if deemed necessary.

Specifications are subject to change without notice

ORDERING INFORMATION

CR6	36	T0609	2	G2
MODEL	WATTAGE	LAMP HEADS	# OF HEADS	OPTIONS
CR6 = 6 Volt CR12 = 12 Volt	6 Volt 18 27 36 54 12 Volt 54	<u>6V TUNGSTEN WEDGE BASE</u> T0607 = 7 Watt T0609 = 9 Watt <u>6V HALOGEN</u> T06H12 = 12 Watt R06H20 = 20 Watt <u>12V TUNGSTEN WEDGE BASE</u> T1209 = 9 Watt T1212 = 12 Watt T1218 = 18 Watt <u>12V SEALED BEAM HALOGEN</u> R12H08 = 8 Watt R12H12 = 12 Watt (Suggested heads are listed above)	0 = No Head 1 = 1 Head 2 = 2 Heads 3 = 3 Heads 4 = 4 Heads	G2 = Self Test / Self Diagnostics G2AA = G2 w/Audible Alarm TD = Time Delay (120/277) LC = 3' Line Cord

LL30 VANDAL RESISTANT EMERGENCY LIGHTING

FEATURES

- Damp location rated
- Injection-molded, UV stabilized, flame rated thermoplastic housing and diffuser
- Universal mounting
- Fully adjustable 6 volt, 5.4 watt tungsten or 5 watt halogen lamp heads
- Completely self-contained
- Optional G2 Self-Test/Self-Diagnostics available
- Maintenance-free sealed lead-acid battery
- 120/277 VAC operation
- Regulated charging circuit
- AC lockout
- Brown-out, reverse polarity and short-circuit protected
- Low voltage battery disconnect

VANDAL-RESISTANT DESIGN

The LL30's clear polycarbonate lens cover is designed to enclose and protect the lamps from unwanted tampering and repositioning.

CONFORMANCE TO CODES & STANDARDS

The LL30 Series meets or exceeds the following: U.L. 924, N.E.C. requirements and N.F.P.A. 101.

WARRANTY

Any component that fails due to manufacturer's defect is guaranteed for 5 years with a separate 5 year pro-rated warranty on the battery. The warranty does not cover physical damage, abuse or acts of God. Manufacturer reserves the right to charge for such repairs if deemed necessary.

Specifications are subject to change without notice

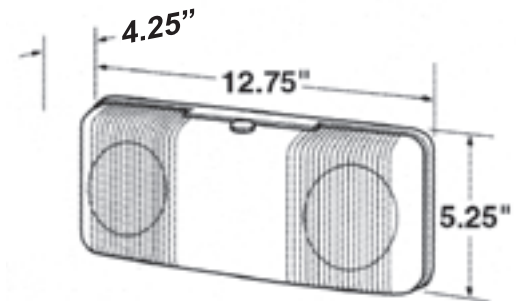
ORDERING INFORMATION

LL30H		-		G2	
SERIES				OPTIONS	
LL30	= 6V, 5.4W Lamps			G2	= Self-Test/Self-Diagnostics
LL30H	= 6V, 5W Halogen Lamps			BL	= Black Housing
				LC	= 3' Line Cord and Plug



The LL30 offers a low-profile contemporary design that has been engineered with versatility, durability and architectural appeal in mind. Damp location protection is provided with every unit. The LL30's clear polycarbonate lens cover is designed to enclose and protect the lamps from unwanted tampering and repositioning.

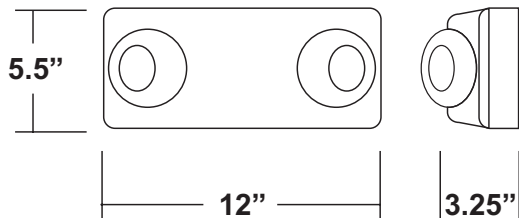
DIMENSIONS



LL50H THERMOPLASTIC EMERGENCY LIGHTING**FEATURES**

- Damp location rated
- Fully adjustable 5 watt MR-16 halogen lamp heads
- Optional G2 self-test/self diagnostics available
- Automatic brownout protection
- Compact, streamlined design
- Contractor friendly, snap-together design
- AC lockout feature reduces installation time
- Wall or ceiling mounted
- UV stable, thermoplastic components
- UL94-5VA flame rating
- 120/277V dual primary 60Hz input
- Automatic solid state charger
- Quick connect mounting back plate
- Low voltage disconnect
- 90 minute emergency run time
- Momentary test switch and LED charge indicator
- Maintenance-free, sealed lead-acid battery

The LL50H Thermoplastic Emergency Lighting Units combine a low-profile, contemporary appearance with economy and dependability. It's compact, streamlined design features fully adjustable designer 5 watt halogen heads to compliment any environment. Constructed of of an injectection-molded, UL94-5VA flame retardant, high-impact, thermoplastic housing, this durable unit will provide years of reliable service.

DIMENSIONS**CONFORMANCE TO CODES & STANDARDS**

The LL50H Series is U.L. Listed and meets or exceeds the following: U.L. 924, N.E.C. requirements and N.F.P.A. 101.

WARRANTY

Any component that fails due to manufacturer's defect is guaranteed for 1 year with a separate 5 year pro-rated warranty on the battery. The warranty does not cover physical damage, abuse or acts of God. Manufacturer reserves the right to charge for such repairs if deemed necessary.

ORDERING INFORMATION

LL50H	-	G2
SERIES		OPTIONS
LL50H		G2 = Self-Test/Self-Diagnostics BL = Black Housing LC = 3' Line Cord and Plug

Specifications are subject to change without notice

LL50H-6/12 HIGH CAPACITY EMERGENCY LIGHTING

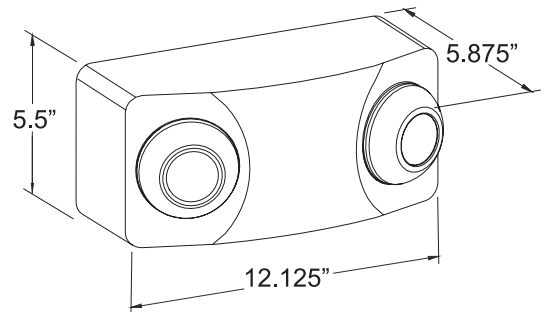


FEATURES

- Damp location rated
- Fully adjustable 12 watt MR-16 halogen lamp heads (Optional 25 watt lamps available)
- Available in either 6 or 12 volt, 25 or 50 watt configurations
- Automatic brownout protection
- Compact, streamlined design
- Contractor friendly, snap-together design
- AC lockout feature reduces installation time
- Wall or ceiling mounted
- UV Stable Thermoplastic components
- UL94-5VA flame rated
- 120/277V dual primary 60Hz input
- Automatic solid state, current limited charger
- Low voltage disconnect
- 90 minute emergency run time
- Momentary test switch and LED charge indicator
- Maintenance-free, sealed lead-acid battery

LL50H-6/12 Emergency Lighting Units combine a low-profile, contemporary appearance with economy and dependability. Suitable for use in commercial and industrial applications where higher light levels are required or remote head capability is desired. Built for dependability, this economical unit offer fully adjustable designer lamp heads to complement any environment.

DIMENSIONS



CONFORMANCE TO CODES & STANDARDS

The LL50H-6/12 Series is U.L. Listed and meets or exceeds the following: U.L. 924, N.E.C. requirements and N.F.P.A. 101.

WARRANTY

Any component that fails due to manufacturer's defect is guaranteed for 1 year with a separate 5 year pro-rated warranty on the battery. The warranty does not cover physical damage, abuse or acts of God. Manufacturer reserves the right to charge for such repairs if deemed necessary.

ORDERING INFORMATION

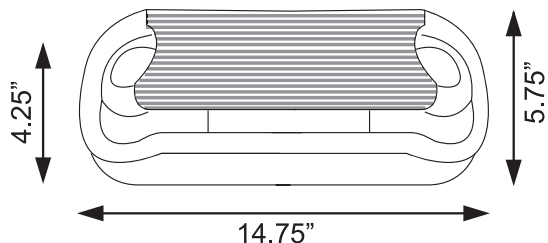
LL50H	-	12	-	50	-	20W
SERIES		VOLTAGE		WATTAGE		OPTIONS
LL50H		6 12		25 50		G2 = Self-Test/Self-Diagnostics 25W = 25W MR-16 Lamps LC = Line Cord BL = Black Housing

Specifications are subject to change without notice



The LL50H-N4 is ideal for wet locations, resistant to corrosive atmospheres, non-hazardous dust environments. The adjustable halogen lamps are enclosed in a fully gasketed, corrosive resistant polycarbonate enclosure designed to withstand the harshest enviroments.

DIMENSIONS



LL50H-N4 WET LOCATION EMERGENCY LIGHTING

FEATURES

- Wet location listed, resistant to corrosive atmospheres, non-hazardous dust environments
- Fully gasketed enclosure
- Fully adjustable 5 watt MR-16 halogen lamp heads
- Automatic brownout protection
- Contractor friendly, snap-together design
- AC lockout feature reduces installation time
- Wall or ceiling mounted
- UV stable, fiberglass components
- UL 94-5VA flame rating
- 120/277V dual primary 60Hz input
- Low voltage disconnect
- 90 minute emergency run time
- Sealed momentary test switch
- Maintenance-free, sealed lead-calcium battery

CONFORMANCE TO CODES & STANDARDS

The LL50H-N4 Series is U.L. Listed and meets or exceeds the following: U.L. 924, N.E.C. requirements and N.F.P.A. 101.

WARRANTY

Any component that fails due to manufacturer's defect is guaranteed for 1 year with a separate 5 year pro-rated warranty on the battery. The warranty does not cover physical damage, abuse or acts of God. Manufacturer reserves the right to charge for such repairs if deemed necessary.

ORDERING INFORMATION

LL50H-N4

SERIES

LL50H-N4 = Wet Location

Specifications are subject to change without notice

LL60 THERMOPLASTIC EMERGENCY LIGHTING

FEATURES

- Damp location rated
- Universal J-box mounting with quick-connect adapters for fast, simple installation
- Compact, low profile design
- Completely self-contained, fully automatic operation
- 6-volt premium grade, lead-acid, maintenance-free battery with 10 year expected life
- Environmentally coated, solid state charger
- Low voltage disconnect, protects battery from deep discharge
- 120/277 VAC operation
- Fixed 5.4 watt tungsten lamps
- Injection-molded, V-0 flame retardant, high impact, thermoplastic housing
- Low-profile test switch and LED charge rate indicator light
- Regulated charge voltage
- AC lockout
- Overload/short circuit protection
- Brown-out protection

CONFORMANCE TO CODES & STANDARDS

The LL60 Series is U.L. Listed and meets or exceeds the following: U.L. 924, N.E.C. requirements and N.F.P.A. 101.

WARRANTY

Any component that fails due to manufacturer's defect is guaranteed for 1 year with a separate 5 year pro-rated warranty on the battery. The warranty does not cover physical damage, abuse or acts of God. Manufacturer reserves the right to charge for such repairs if deemed necessary.

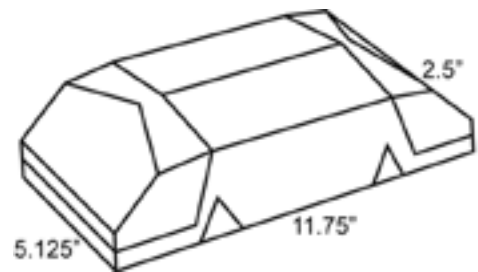
ORDERING INFORMATION

LL60	-	BL
SERIES		HOUSING FINSH
LL60		BLANK = White BL = Black



Combining an aesthetically appealing design and dependable performance, the LL60 series will accommodate virtually any application. This attractive series is complemented with the ruggedness and simplicity of a high impact totally universal thermoplastic housing.

DIMENSIONS



Specifications are subject to change without notice

LL90 THERMOPLASTIC EMERGENCY LIGHTING**FEATURES**

- Damp location rated
- Universal J-box mounting with quick-connect adapters for fast, simple installation
- Compact, low profile design
- Unique, fully adjustable square lamp heads
- Completely self-contained, fully automatic operation
- 6-volt premium grade, sealed lead-acid, maintenance-free battery with 10 year expected life (optional NiCad battery available)
- Environmentally coated, solid state charger
- Low voltage disconnect, protects battery from deep discharge
- 120/277 VAC operation
- Fully adjustable 5.4 watt tungsten (LL90) or 5 watt halogen (LL90H) glare-free lighting heads (optional Krypton lamps available)
- Injection-molded, V-0 flame retardant, high impact, thermoplastic housing
- Low-profile test switch and LED charge rate indicator light
- AC lockout
- Overload/short circuit protection
- Brown-out protection

LL90R REMOTE CAPACITY FEATURES

- Remote capabilities of up to 8 watts
- 6 volt, 7Ah lead-acid battery
- Same low-profile design as LL90

CONFORMANCE TO CODES & STANDARDS

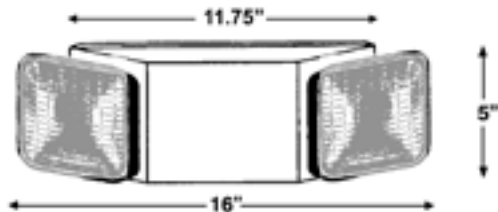
The LL90 Series is U.L. Listed and meets or exceeds the following: U.L. 924, N.E.C. requirements and N.F.P.A. 101.

WARRANTY

Any component that fails due to manufacturer's defect is guaranteed for 1 year with a separate 5 year pro-rated warranty on the battery. The warranty does not cover physical damage, abuse or acts of God. Manufacturer reserves the right to charge for such repairs if deemed necessary.



The LL90 Series combines a low-profile, contemporary appearance with economy and dependability. Both incorporate fully adjustable designer heads to complement any environment.

DIMENSIONS

Specifications are subject to change without notice

ORDERING INFORMATION

LL90H

- BL

- R

MODEL

LL90 = Standard Unit, 5.4W Tungsten Lamps
LL90H = 5 Watt Halogen

HOUSING FINISH

Blank = White
BL = Black

OPTIONS

G2¹ = Self Test / Self Diagnostics
R = Remote Capacity up to 8 Watts
KRP = Krypton Lamps
LC = 3' Line Cord
NC² = NiCad Battery

¹ G2 option is not compatible with NiCad battery option.

² NiCad option is not available on LL90H.

LL90HW HIGH WATTAGE EMERGENCY LIGHTING

FEATURES

- Available with steel or plastic housings
- Dual voltage input 120/277 VAC, 60 Hz
- Maintenance free, sealed lead calcium or NiCad battery, 24 hour recharge time
- Low voltage disconnect prevents deep discharge
- Brownout protection
- Fully automatic, solid state charger
- Line latching feature prevents the unit from turning on during installation to a non-energized AC circuit
- Fully adjustable 9 watt, glare-free heads (alternate lamp heads available)
- Optional G2 Self-Test/Self-Diagnostics available
- UL Listed for damp location use
- UV stable thermosplastic

CONFORMANCE TO CODES & STANDARDS

The LL90HW Series is U.L. Listed and meets or exceeds the following: U.L. 924, N.E.C. requirements and N.F.P.A. 101.

WARRANTY

Any component that fails due to manufacturer's defect is guaranteed for 1 year with a separate 5 year pro-rated warranty on the battery. The warranty does not cover physical damage, abuse or acts of God. Manufacturer reserves the right to charge for such repairs if deemed necessary.

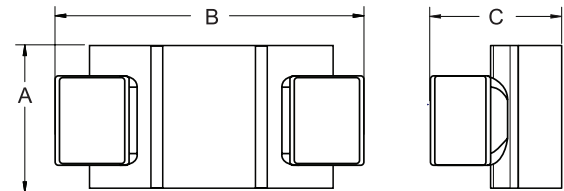
Specifications are subject to change without notice



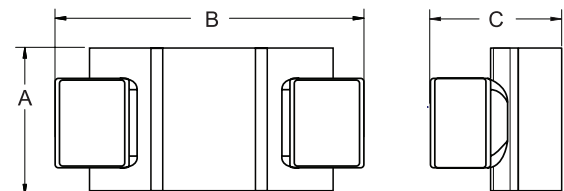
The LL90HW combines either 6 or 12 volts with capabilities of up to 100 watts into a low-profile, contemporary housing design. Built for dependability, this economical unit offers solid-state electronics and fully adjustable designer heads to compliment any environment.

DIMENSIONS

LL90HW Plastic



LL90HW Steel



	Plastic 18-100W	Steel 18-36W	Steel 54W	Steel 72-100W
A	7.5"	5.25"	8.0"	8.0"
B	14.75"	14.87"	16.72"	16.72"
C	6.75"	8.70"	8.80"	10.41"

ORDERING INFORMATION

SERIES	VOLTAGE	MAX. WATTAGE	HOUSING TYPE	HOUSING FINISH	OPTIONS
LL90HW	6 = Lead Acid Battery 6N = NiCad Battery 12 = Lead Acid Battery 12N = NiCad Battery	6V Lead Acid 27 36 54 12V Lead Acid 54 100 ² 6V NiCad 18 27 12V NiCad 25 50	S = Steel P = Plastic	B = Black W = White	G2 ¹ = Self Test/Self-Diagnostics TD = Time Delay LC = 3' Line Cord with Plug 220 = 220V, 50Hz (up to 54W) XX = Alternate Lamp Heads

¹ Not available with NiCad.

² 100W unit available with steel housing only.

NOTE:

LL90HW is shipped standard with (2) 9 watt heads, alternate lamp heads are available, see Remote Lamp Heads spec.

LL6/12 STEEL EMERGENCY LIGHTING**FEATURES**

- 6 and 12 volt systems
- Maintenance-free, sealed lead acid batteries
- Line latching feature prevents the unit from turning on during installation to a non-energized AC circuit
- Low voltage disconnect
- Temperature compensation and brown-out circuit
- High charge and AC ready
- LED indicator light
- 120/277 VAC
- 220 volt 50Hz operation available by special order
- Rugged 20 gauge steel housing
- Units available in white or black powder coated finish
- Short circuit protected
- Optional Time Delay
- Optional G2 Self-Test/Self-Diagnostics
- Knock outs on sides allow for side mounted lamp heads

CONFORMANCE TO CODES & STANDARDS

The LL6/12 Series is U.L. Listed and meets or exceeds the following: U.L. 924, N.E.C. requirements and N.F.P.A. 101.

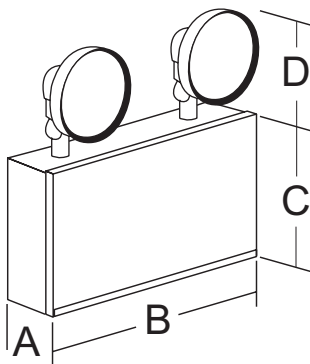
WARRANTY

Any component that fails due to manufacturer's defect is guaranteed for 1 year with a separate 5 year pro-rated warranty on the battery. The warranty does not cover physical damage, abuse or acts of God. Manufacturer reserves the right to charge for such repairs if deemed necessary.

Specifications are subject to change without notice



The Steel Life-Lite Series combines performance and dependability into a rugged 20 gauge enclosure. Available in a wide variety of battery wattages and lamp styles to complement any application.

DIMENSIONS

	18-36W	54W	72-100W	150W
A	2.89"	2.94"	4.55"	4.55"
B	11.62"	13.29"	13.29"	16.09"
C	5.25"	8.00"	8.50"	8.50"
D	6.00"	6.00"	6.00"	6.00"

ORDERING INFORMATION

LL12

-

54

-

T0607

-

2

-

W

-

G2

MODEL	WATTAGE	LAMP HEADS	# OF HEADS	HOUSING FINISH	OPTIONS
LL6 = 6 Volt LL12 = 12 Volt	6 Volt 18 27 36 54 12 Volt 54 72 100 125 150	<u>6V TUNGSTEN WEDGE BASE</u> T0607 = 7 Watt T0609 = 9 Watt <u>6V HALOGEN</u> T06H12 = 12 Watt <u>12V TUNGSTEN WEDGE BASE</u> T1209 = 9 Watt T1212 = 12 Watt T1218 = 18 Watt <u>12V SEALED BEAM HALOGEN</u> R12H08 = 8 Watt R12H12 = 12 Watt	0 = No Head 1 = 1 Head 2 = 2 Heads 3 = 3 Heads 4 = 4 Heads	B = Black W = White	G2 = Self Test/Self Diagnostics TD = Time Delay LC = 3' Line Cord

LRP THERMOPLASTIC EMERGENCY LIGHTING

FEATURES

- 120/277 VAC
- Universal mounting
- Rugged injection molded, V-0 flame retardant high-impact thermoplastic design
- Fully adjustable lamp heads
- Completely self-contained
- Fully automatic operation
- 6 or 12 volt premium grade, maintenance-free lead-acid battery with 5-7 year expected life
- Environmentally coated, solid-state electronics
- Low voltage disconnect, protecting battery from deep discharge
- Test switch and LED indicator light
- Regulated charge voltage
- AC lockout
- Overload/short circuit protection
- Brown-out protection

CONFORMANCE TO CODES & STANDARDS

The LRP Series is U.L. Listed and meets or exceeds the following: U.L. 924, N.E.C. requirements and N.F.P.A. 101.

WARRANTY

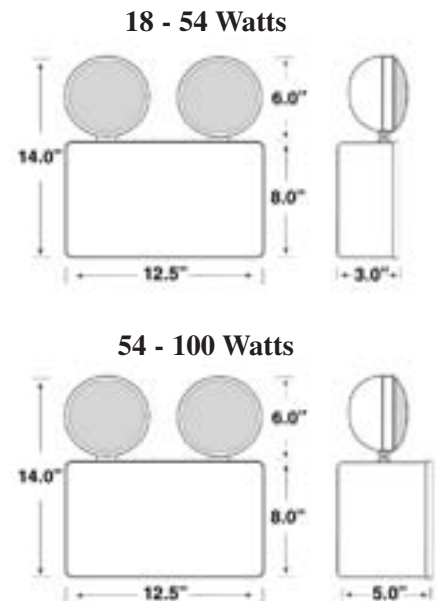
Any component that fails due to manufacturer's defect is guaranteed for 1 year with a separate 5 year pro-rated warranty on the battery. The warranty does not cover physical damage, abuse or acts of God. Manufacturer reserves the right to charge for such repairs if deemed necessary.

Specifications are subject to change without notice



The LRP Series has been developed with versatility, durability and architectural appeal in mind. The injection molded thermoplastic housing is both impact-resistant and UV stabilized. The LRP is supplied with your choice of 6 or 12 volt and manufactured with a range of 18-100 watts.

DIMENSIONS



ORDERING INFORMATION

LRP12-50	-	LC
MODEL		OPTIONS
LRP6-18 = 6 Volt / 18 Watt		LC= 3' Line Cord
LRP6-36 = 6 Volt / 36 Watt		
LRP6-50 = 6 Volt / 50 Watt		
LRP6-100 = 6 Volt / 100 Watt		
LRP12-50 = 12 Volt / 50 Watt		
LRP12-100 = 12 Volt / 100 Watt		

RP PLASTIC EMERGENCY LIGHTING

FEATURES

- 120/277 VAC
- Universal J-Box mounting pattern
- Rugged injection molded, flame retardant high impact thermoplastic design
- Fully adjustable lamp heads
- Completely self-contained
- Fully automatic operation
- 6 or 12 volt premium grade, maintenance-free sealed lead-acid or NiCad battery
- Environmentally coated, solid-state electronics
- Low voltage disconnect, protecting battery from deep discharge
- Test switch and LED indicator light
- Regulated charge voltage
- Line latching feature prevents the unit from turning on during installation to a non-energized AC circuit
- Overload/short circuit protection
- Brown-out protection

CONFORMANCE TO CODES & STANDARDS

The RP Series is U.L. Listed and meets or exceeds the following: U.L. 924, N.E.C. requirements and N.F.P.A. 101.

WARRANTY

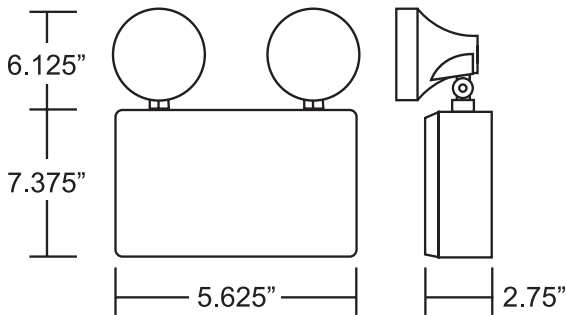
Any component that fails due to manufacturer's defect is guaranteed for 5 years with a separate 5 year pro-rated warranty on the battery. The warranty does not cover physical damage, abuse or acts of God. Manufacturer reserves the right to charge for such repairs if deemed necessary.

Specifications are subject to change without notice



The RP Series provides a proven, reliable source of egress lighting housed in a classically designed package. Available in a wide variety of battery wattages, the RP Series incorporates high performance electronics in an attractive, impact resistant thermoplastic housing.

DIMENSIONS



ORDERING INFORMATION

RP12N	50	R1212	2	W	G2AA
SERIES/ BATTERY	DC WATTAGE	LAMP HEADS	# OF HEADS	HOUSING FINISH	OPTIONS
RP6 = 6 Volt, Lead Calcium RP6N = 6 Volt, NiCad RP12 = 12 Volt, Lead Calcium RP12N = 12 Volt, NiCad	<u>6 VOLT, LEAD CALCIUM</u> 18 = 18 Watt 25 = 25 Watt 36 = 36 Watt 50 = 50 Watt <u>6 VOLT, NiCad</u> 14 = 14 Watt 18 = 18 Watt 25 = 25 Watt <u>12 VOLT, LEAD CALCIUM</u> 50 = 50 Watt <u>12 VOLT, NiCad</u> 25 = 25 Watt 36 = 36 Watt 50 = 50 Watt	<u>6 VOLT</u> P0607 = 7 Watt P0609 = 9 Watt <u>12 VOLT</u> P1209 = 9 Watt P1212 = 12 Watt P1218 = 18 Watt <u>12 VOLT Halogen</u> R12H12 = 12 Watt <i>(Suggested heads are listed above, see lamp head data sheet for optional heads)</i>	0 = No Head 1 = 1 Head 2 = 2 Heads	W = White	G2 ¹ = Self Test / Self Diagnostics TD = Time Delay LC = 3' Line Cord

¹ G2 Not Available with NiCad Battery.

RS 18-150W STEEL EMERGENCY LIGHTING

FEATURES

- 6 volt and 12 volt system
- Maintenance-free sealed lead acid batteries, optional NiCad battery available
- Battery lockout circuit
- Low voltage disconnect
- Choice of lamp heads
- Temperature compensation and brown-out circuit
- High charge and AC ready
- LED indicator light
- 120/277 VAC
- 220 volt 50Hz operation is available by special order
- Rugged 20 gauge steel housing
- Units available in white or black powder coated finish
- Short circuit protected
- Optional Time Delay

CONFORMANCE TO CODES & STANDARDS

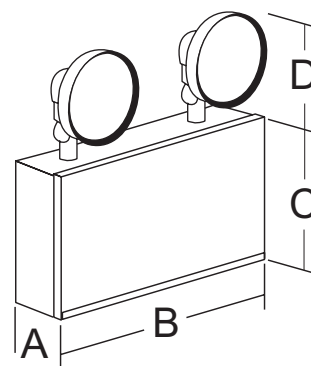
The RS Series is U.L. Listed and meets or exceeds the following: U.L. 924, N.E.C. requirements and N.F.P.A. 101.

WARRANTY

Any component that fails due to manufacturer's defect is guaranteed for 3 years with a separate 5 year pro-rated warranty on the battery. The warranty does not cover physical damage, abuse or acts of God. Manufacturer reserves the right to charge for such repairs if deemed necessary.



DIMENSIONS



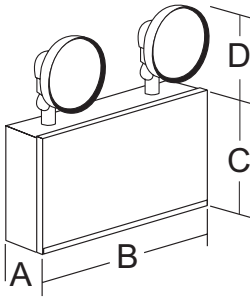
	18-36W	54W	72-100W	150W
A	2.89"	2.94"	4.55"	4.55"
B	11.62"	13.29"	13.29"	16.09"
C	5.25"	8.00"	8.50"	8.50"
D	6.00"	6.00"	6.00"	6.00"

EMERGENCY LIGHTS

ORDERING INFORMATION

RS12N	50	R1225	2	W	G2
SERIES/ BATTERY	DC WATTAGE	LAMP HEADS	# OF HEADS	HOUSING FINISH	OPTIONS
RS6 = 6 Volt, Lead Calcium RS6N = 6 Volt, NiCad RS12 = 12 Volt, Lead Calcium RS12N = 12 Volt, NiCad	<u>6 VOLT, LEAD CALCIUM</u> 18 = 18 Watt 25 = 25 Watt 36 = 36 Watt 50 = 50 Watt <u>6 VOLT, NICAD</u> 18 = 18 Watt 25 = 25 Watt 36 = 36 Watt 50 = 50 Watt 75 = 75 Watt <u>12 VOLT, LEAD CALCIUM</u> 50 = 50 Watt 75 = 75 Watt 100 = 100 Watt 125 = 125 Watt 150 = 150 Watt <u>12 VOLT, NICAD</u> 25 = 25 Watt 36 = 36 Watt 50 = 50 Watt 75 = 75 Watt 100 = 100 Watt 125 = 125 Watt	<u>6V TUNGSTEN WEDGE BASE</u> T0607 = 7.2 Watt T0609 = 9 Watt <u>6V TUNGSTEN SEALED BEAM</u> R0608 = 8 Watt R0618 = 18 Watt R0625 = 25 Watt <u>12V TUNGSTEN WEDGE BASE</u> T1209 = 9 Watt T1212 = 12.5 Watt T1218 = 17.9 Watt <u>12V TUNGSTEN SEALED BEAM</u> R1212 = 12 Watt R1218 = 18 Watt R1225 = 25 Watt	0 = No Head 1 = 1 Head 2 = 2 Heads 3 = 3 Heads 4 = 4 Heads	W = White B = Black	G2 = Self-Test/Self-Diagnostics TD = Time Delay LC = Line Cord 220V = 220-240VAC 50Hz (Only up to 54W)

Specifications are subject to change without notice

RS 100-360W STEEL EMERGENCY LIGHTING**DIMENSIONS**

	A	B	C	D
6 & 12V 125-200W	8.00"	13.00"	10.00"	6.00"
12 & 24V 250-400W	8.00"	18.00"	10.00"	6.00"

FEATURES

- Durable 20 gauge steel construction with white powder coated finish
- Energy efficient pulse switching charger, includes low voltage disconnect, AC lockout and brownout protection
- High impact, steel PAR 36 lamp heads with sealed beam lamps
- Momentary test switch and LED indicator
- 120/277V dual primary 60Hz input
- Maintenance-free sealed lead acid battery, optional NiCad battery available
- 90 minute emergency run time, 24 hour recharge time
- Available with optional G2 Self-Test/Self-Diagnostics

CONFORMANCE TO CODES & STANDARDS

The RS Series is E.T.L. Listed and meets or exceeds the following: U.L. 924, N.E.C. requirements and N.F.P.A. 101.

WARRANTY

Any component that fails due to manufacturer's defect is guaranteed for 3 years with a separate 3 year pro-rated warranty on the battery. The warranty does not cover physical damage, abuse or acts of God. Manufacturer reserves the right to charge for such repairs if deemed necessary.

ORDERING INFORMATION

SERIES/ BATTERY	DC WATTAGE	LAMP HEADS	# OF HEADS	HOUSING FINISH	OPTIONS
RS6 = 6 Volt, Lead Calcium RS12 = 12 Volt, Lead Calcium RS12N = 12 Volt, NiCad RS24 = 24 Volt, Lead Calcium RS24N = 24 Volt, NiCad	<u>6 VOLT, LEAD CALCIUM</u> 100 = 100 Watt 125 = 125 Watt 150 = 150 Watt 200 = 200 Watt <u>12 VOLT, LEAD CALCIUM</u> 200 = 200 Watt 250 = 250 Watt 300 = 300 Watt 360 = 360 Watt <u>12 VOLT, NICAD</u> 100 = 100 Watt 125 = 125 Watt 150 = 150 Watt 200 = 200 Watt <u>24 VOLT, LEAD CALCIUM</u> 200 = 200 Watt 300 = 300 Watt 360 = 400 Watt <u>24 VOLT, NICAD</u> 100 = 100 Watt 125 = 125 Watt 150 = 150 Watt 200 = 200 Watt	<u>6V TUNGSTEN WEDGE BASE</u> T0607 = 7.2 Watt T0609 = 9 Watt <u>6V TUNGSTEN SEALED BEAM</u> R0608 = 8 Watt R0618 = 18 Watt R0625 = 25 Watt <u>12V TUNGSTEN WEDGE BASE</u> T1209 = 9 Watt T1212 = 12 Watt T1218 = 18 Watt <u>12V TUNGSTEN SEALED BEAM</u> R1212 = 12 Watt R1218 = 18 Watt R1225 = 25 Watt	0 = No Head 1 = 1 Head 2 = 2 Heads 3 = 3 Heads 4 = 4 Heads	W = White B = Black	G2 = Self-Test/Self-Diagnostics TD = Time Delay LC = Line Cord

Specifications are subject to change without notice

LL70 WET LOCATION EMERGENCY LIGHTING

FEATURES

- Suitable for damp, wet, and hose down locations
- Die-cast aluminum backplate, fully gasketed and sealed with durable powder coated finish
- Impact & heat-resistant polycarbonate cover
- Comes standard with self-test/self-diagnostics
- 6 or 12 volt system, 27 to 54 watts
- 12 or 20 watt MR-16 halogen lamp heads
- Universal J-box knockout pattern and top mounted conduit entry point for easy installation
- 120/277V dual primary 50-60Hz input
- Maintenance-free nickel metal hydride battery
- Includes low voltage disconnect, AC lockout and brownout protection
- Optional I-Beam mounting strap available

CONFORMANCE TO CODES & STANDARDS

The LL70 Series is E.T.L. Listed and meets or exceeds the following: U.L. 924, N.E.C. requirements and N.F.P.A. 101.

WARRANTY

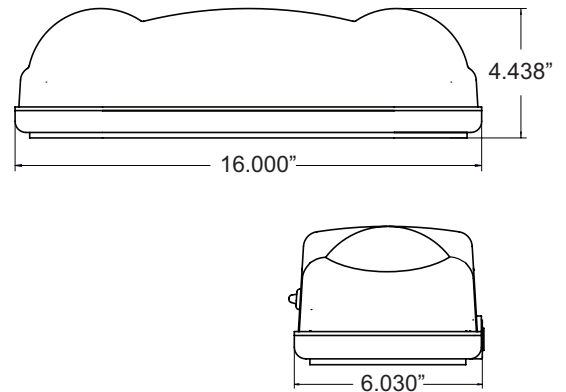
Any component that fails due to manufacturer's defect is guaranteed for 3 years with a separate 5 year pro-rated warranty on the battery. The warranty does not cover physical damage, abuse or acts of God. Manufacturer reserves the right to charge for such repairs if deemed necessary.

Specifications are subject to change without notice



The LL70 series of industrial emergency lighting units are the ultimate in durable, dependable emergency lighting. The LL70 can be used in most damp, wet and hose down areas.

DIMENSIONS



EMERGENCY LIGHTS

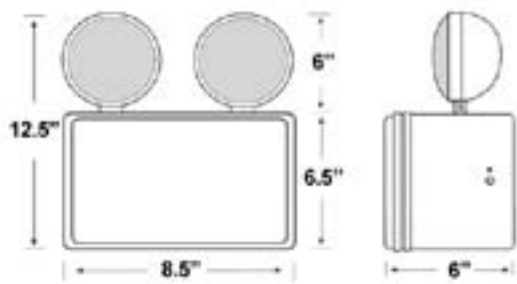
ORDERING INFORMATION

LL70	-	12	-	54	-	20	-	SA	-	TD
SERIES		VOLTS		WATTS		LAMPS		HOUSING FINISH		OPTIONS
LL70		6 = 6 Volt 12 = 12 Volt		27 = 27 Watt 36 = 36 Watt 54 = 54 Watt		12 = 12W MR-16 20 = 20W MR-16		SA = Satin Aluminum BR = Bronze		TD = Time Delay IH1 = Internal Batt Heater 120V IH2 = Internal Batt Heater 277V TRH = Tamper Resistant Hardware TRHT = Tamper Resistant Tool IHB = I-Beam Mounting Strap



The LRX Emergency Light is suitable for Wet Location areas. It is ideal for locations where water, non-hazardous dust, and corrosive atmospheres are present.

DIMENSIONS



LRX WET LOCATION RATED EMERGENCY LIGHTING

FEATURES

- UV stabilized, impact & corrosion resistant ABS plastic enclosure, grey finish
- One-piece molded, weather-proof gasket
- Comes standard with (2) 6V 7.2W lamps
- Hinged front access panel for simple installation
- Universal mounting pattern
- Maintenance-free sealed lead acid battery
- 120/277 VAC operation
- Regulated charging unit
- Brown-out, reverse polarity and short circuit protected
- Low voltage battery disconnect

CONFORMANCE TO CODES & STANDARDS

The LRX Series is U.L. Listed and meets or exceeds the following: U.L. 924, N.E.C. requirements and N.F.P.A. 101.

WARRANTY

Any component that fails due to manufacturer's defect is guaranteed for 3 years with a separate 5 year pro-rated warranty on the battery. The warranty does not cover physical damage, abuse or acts of God. Manufacturer reserves the right to charge for such repairs if deemed necessary.

Specifications are subject to change without notice

ORDERING INFORMATION

LRX-6	-	18	-	B1D	-	2
SERIES		BATTERY WATTAGE		LAMP HEADS		# OF HEADS
LRX-6 = 6 Volt		<u>6 Volt Lead Calcium</u> 18 = 18 Watt 25 = 25 Watt		B1D = 7.2 Watt		2 = 2 Heads

FEATURES

- NEMA 4X rated; suitable for damp, wet, and hose down locations
- Impact resistant fiberglass housing with industrial gray finish
- Energy efficient pulse charger
- High impact, thermoplastic PAR 36 sealed beam lamp heads
- Integrated mounting feet
- Hinged front panel for ease of installation and maintenance
- 120/277V dual primary 60Hz input
- Maintenance-free lead calcium battery, optional NiCad battery available
- Includes low voltage disconnect, AC lockout and brownout protection

CONFORMANCE TO CODES & STANDARDS

The WNX Series is E.T.L. Listed and meets or exceeds the following: U.L. 924, N.E.C. requirements and N.F.P.A. 101.

WARRANTY

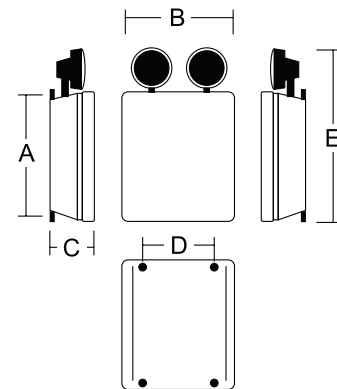
Any component that fails due to manufacturer's defect is guaranteed for 3 years with a separate 3 year pro-rated warranty on the battery. The warranty does not cover physical damage, abuse or acts of God. Manufacturer reserves the right to charge for such repairs if deemed necessary.

Specifications are subject to change without notice



The WNX series of industrial emergency lighting units are designed to be affordable, durable and dependable. The NEMA 4x rated fiberglass housing can be used in most damp, wet and hose down areas.

DIMENSIONS



Cabinet	A	B	C	D	E
27W - 36W	11 7/16"	9 1/4"	5 7/16"	5 5/16"	16 1/2"
54W - 72W	13 7/16"	11 1/4"	5 7/16"	8 5/16"	18 1/2"
100W - 200W	15 1/2"	13 3/8"	6 1/4"	10 1/4"	20 1/2"
200W - 300W	17 1/2"	15 3/8"	6 1/4"	12 1/4"	22 1/2"
300W - 360W	9 7/8"	16 7/8"	9"	12 1/4"	24 1/2"

ORDERING INFORMATION

WNX	12	72	2	Z1212	G2																						
SERIES	VOLTS	DC WATTAGE	# OF HEADS	LAMP HEADS	OPTIONS																						
WNX	6 = 6 Volt 12 = 12 Volt 24 = 24 Volt	<table border="1"> <tr> <td>6 VOLT</td> <td>12 VOLT</td> </tr> <tr> <td>27 = 27 Watt</td> <td>27 = 27 Watt</td> </tr> <tr> <td>36 = 36 Watt</td> <td>36 = 36 Watt</td> </tr> <tr> <td>54 = 54 Watt</td> <td>54 = 54 Watt</td> </tr> <tr> <td>72 = 72 Watt</td> <td>72 = 72 Watt</td> </tr> <tr> <td>100 = 100 Watt</td> <td>100 = 100 Watt</td> </tr> <tr> <td>125 = 125 Watt</td> <td>125 = 125 Watt</td> </tr> <tr> <td>24 VOLT</td> <td>150 = 150 Watt</td> </tr> <tr> <td>200 = 200 Watt</td> <td>200 = 200 Watt</td> </tr> <tr> <td>300 = 300 Watt</td> <td>300 = 300 Watt</td> </tr> <tr> <td>360 = 360 Watt</td> <td>360 = 360 Watt</td> </tr> </table>	6 VOLT	12 VOLT	27 = 27 Watt	27 = 27 Watt	36 = 36 Watt	36 = 36 Watt	54 = 54 Watt	54 = 54 Watt	72 = 72 Watt	72 = 72 Watt	100 = 100 Watt	100 = 100 Watt	125 = 125 Watt	125 = 125 Watt	24 VOLT	150 = 150 Watt	200 = 200 Watt	200 = 200 Watt	300 = 300 Watt	300 = 300 Watt	360 = 360 Watt	360 = 360 Watt	0 = No Heads 1 = 1 Head 2 = 2 Heads	6V TUNGSTEN LAMPS Z0608 = 8.0 Watt Z0618 = 18 Watt Z0625 = 25 Watt Z0630 = 30 Watt 12V TUNGSTEN LAMPS Z1212 = 12 Watt Z1218 = 18 Watt Z1225 = 25 Watt Z1230 = 30 Watt 6V HALOGEN LAMPS Z06H08 = 8.0 Watt Z06H12 = 12 Watt 12V HALOGEN LAMPS Z12H08 = 8.0 Watt Z12H12 = 12 Watt	G2 = Self-Test/Self Diagnostics NC ¹ = NiCad Battery A = Ammeter V = Voltmeter TA = 120V Time Delay TB = 277V Time Delay FP = Food Prep Lens IH1 = Internal Battery Heater 120V IH2 = Internal Battery Heater 277V LC = 3' Line Cord and Plug
6 VOLT	12 VOLT																										
27 = 27 Watt	27 = 27 Watt																										
36 = 36 Watt	36 = 36 Watt																										
54 = 54 Watt	54 = 54 Watt																										
72 = 72 Watt	72 = 72 Watt																										
100 = 100 Watt	100 = 100 Watt																										
125 = 125 Watt	125 = 125 Watt																										
24 VOLT	150 = 150 Watt																										
200 = 200 Watt	200 = 200 Watt																										
300 = 300 Watt	300 = 300 Watt																										
360 = 360 Watt	360 = 360 Watt																										
					¹ Nicad max wattage: 6 Volt - 72 Watts 12 or 24 Volt - 200 Watts																						

FEATURES

- Available in wall, ceiling, or end mount configurations
- Heavy 20 gauge, durable steel housings
- Bright white finish standard, optional finishes available
- High output, long life white LEDs
- Translucent glass letter panels
- Single or double face configurations
- 6" tall characters with 3/4" stroke
- Specify arrow configuration when ordering
- 120/277V dual primary 60Hz input
- Self-Test/Self-Diagnostics available
- 100% solid state switching circuit
- 90 minute emergency run time, 24 hour recharge time
- Solid-state charging circuit
- Momentary test switch and LED indicator
- Maintenance-free sealed lead acid battery

CONFORMANCE TO CODES & STANDARDS

The CSX Series is U.L. Listed and meets or exceeds the following: U.L. 924, N.E.C. requirements and N.F.P.A. 101.

WARRANTY

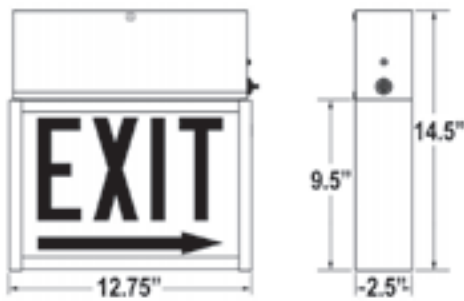
Any component that fails due to manufacturer's defect is guaranteed for 3 years, with a 5 year prorated warranty on the battery. Warranty does not apply to damages caused by improper installation, abuse, fire or acts of God. Manufacturer reserves the right to charge for such repairs if deemed necessary.

Specifications are subject to change without notice



LED illuminated AC only and emergency exit models meet Chicago requirements Rugged steel signs for wall, ceiling or end mount applications.

DIMENSIONS



ORDERING INFORMATION

CSX	-	WB	-	1	-	3	-	1	-	3	-	W	-	G2
SERIES	POWER		MOUNTING		PANEL CODE		LIGHT SOURCE	INPUT		HOUSING FINISH		OPTIONS		
CSX	LB = AC Only WB = Battery Backup		1 = Single Face, No Canopy 2 = Single Face w/Canopy 3 = Double Face w/Canopy		<u>Single Face</u> 3 = EXIT 6 = EXIT > 9 = EXIT < 12 = EXIT <> 2 = STAIRS 5 = STAIRS > 8 = STAIRS < 11 = STAIRS <> <u>Double Face</u> 18 = EXIT 21 = EXIT <or> 24 = EXIT <> 17 = STAIRS 20 = STAIRS <or> 23 = STAIRS <>		1 = LED	3 = 120/277V		W = White BL = Black		G2 = Self-Testing/Self-Diagnostics CC = Custom Color (consult factory)		
												ER1-KIT		
												ACCESSORIES (Order as separate line item)		
												ER1-KIT = 1' Pendant Mount Kit ER2-KIT = 2' Pendant Mount Kit		

All panels are supplied with red letters on a white background

FEATURES

- Available in wall or ceiling mount
- Heavy 20 gauge, durable steel housings
- Bright white finish standard, optional finishes available
- High output, long life LED illumination
- Translucent glass letter panels
- Single or double face configurations
- 6" tall characters with 3/4" stroke
- Specify arrow configuration when ordering
- 120/277V dual primary 60Hz input
- Egress lighting provided by two 6V 12W sealed beam halogen lamps
- Self-Test/Self-Diagnostics available
- 100% solid state switching circuit
- 90 minute emergency run time, 24 hour recharge time
- Solid-state charging circuit
- AC lockout feature reduces installation time
- Low voltage disconnect eliminates deep discharge
- Maintenance-free sealed lead acid battery

CONFORMANCE TO CODES & STANDARDS

The CSX Series is U.L. Listed and meets or exceeds the following: U.L. 924, N.E.C. requirements and N.F.P.A. 101.

Specifications are subject to change without notice

ORDERING INFORMATION

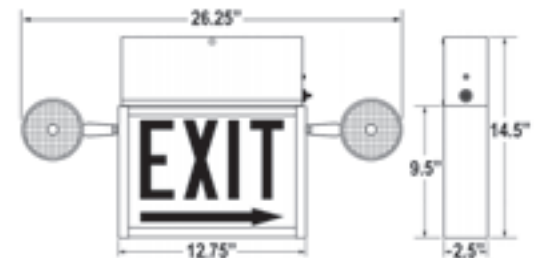
CSX	-	2	-	9	-	1	-	3	-	W	-	EL2-SWS
SERIES		CONFIGURATION		PANEL CODE		LIGHT SOURCE		INPUT		HOUSING FINISH		OPTIONS
CSX		1 = Single Face, no Canopy 2 = Single Face w/Canopy 3 = Double Face w/Canopy		<u>Single Face</u> 3 = EXIT 6 = EXIT > 9 = EXIT < 12 = EXIT <> 2 = STAIRS 5 = STAIRS > 8 = STAIRS < 11 = STAIRS <> <u>Double Face</u> 18 = EXIT 21 = EXIT <or> 24 = EXIT <> 17 = STAIRS 20 = STAIRS <or> 23 = STAIRS <>		1 = LED		3 = 120/277V		W = White BL = Black		EL0 = Remote Capable (24W) EL2 = (2) 6V/12W Halogen Lamp G2 = Self-Testing/Self-Diagnostics CC = Custom Color (consult factory) SS = Specialty Sign
												ER1-KIT
												ACCESSORIES (Order as separate line item)
												ER1-KIT= 1' Pendant Mount Kit

NOTES:
All panels are supplied with red letters on a white background



Energy saving CSX Series are City of Chicago Fire Code Approved. Rugged steel signs for wall or ceiling mount applications.

DIMENSIONS



WARRANTY

Any component that fails due to manufacturer's defect is guaranteed for 3 years, with a 5 year prorated warranty on the battery. Warranty does not apply to damages caused by improper installation, abuse, fire or acts of God. Manufacturer reserves the right to charge for such repairs if deemed necessary.

CHICAGO APPROVED

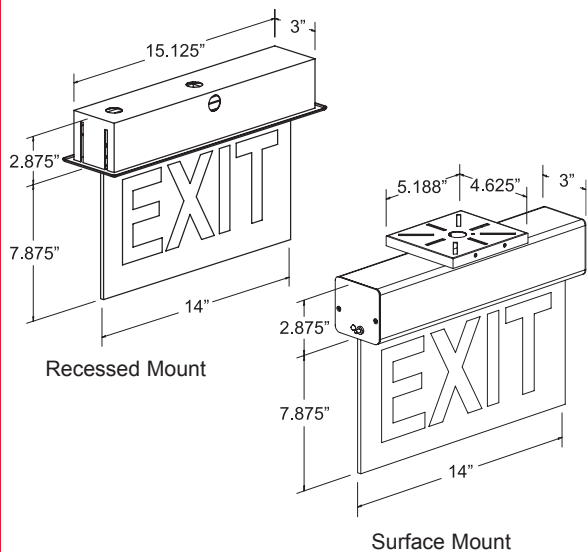


CXE CHICAGO APPROVED EDGE-LIT EXIT SIGN



LED illuminated AC only and emergency exit models are City of Chicago Fire Code Approved. Rugged steel signs for wall, ceiling, end mount or recessed applications.

DIMENSIONS



FEATURES

- Available in both recessed and surface mount configurations
- Chicago plenum rated recessed housing
- Durable extruded aluminum housing
- Bright white finish standard, optional finishes available
- High output, long life LED illumination
- Single or double face configurations
- High clarity, optically true acrylic panels
- 6" tall characters with 3/4" stroke
- Specify arrow configuration when ordering
- 120/277V dual primary 60Hz input
- Self-Test/Self-Diagnostics available
- AC lockout feature reduces installation time
- Maintenance-free NiCad battery
- 100% solid state switching circuit
- 24 hour recharge time
- Solid-state charging circuit

CONFORMANCE TO CODES & STANDARDS

The CXE Series is U.L. Listed and meets or exceeds the following: U.L. 924, N.E.C. requirements and N.F.P.A. 101.

WARRANTY

Any component that fails due to manufacturer's defect is guaranteed for 3 years, with a 5 year prorated warranty on the battery. Warranty does not apply to damages caused by improper installation, abuse, fire or acts of God. Manufacturer reserves the right to charge for such repairs if deemed necessary.

Specifications are subject to change without notice

ORDERING INFORMATION

CXES	WB	2	9	1	3	W	G2
SERIES	POWER	CONFIGURATION	PANEL CODE	LIGHT SOURCE	INPUT	HOUSING FINISH	OPTIONS
CXES = Surface CXER = Recessed	LB = AC Only WB = Battery Backup	1 = Single Face Wall Mount ¹ 2 = Single Face Ceiling/End Mount ² 3 = Double Face Ceiling/End Mount ²	<u>Single Face</u> 3 = EXIT 6 = EXIT > 9 = EXIT < 12 = EXIT <> 2 = STAIRS 5 = STAIRS > 8 = STAIRS < 11 = STAIRS <> <u>Double Face</u> 18 = EXIT 21 = EXIT <or> 24 = EXIT <> 17 = STAIRS 20 = STAIRS <or> 23 = STAIRS <>	1 = LED	3 = 120/277V	W = White <u>Optional</u> BL = Black BA = Brushed Alum	G2 = Self-Testing / Self-Diagnostics

NOTES:

¹ Surface mount units only

² End mount not available on recessed units

All panels are supplied with red letters on a white background

CHICAGO APPROVED

FEATURES

- RM comes standard with two high-impact, steel, 12 watt halogen lamps
- Rugged 20 gauge steel construction with durable white powder coated finish
- Compact, flush-mounted design, suitable for recessed wall or ceiling mounting
- Maintenance-free lead acid or optional NiCad battery
- Automatic low voltage disconnect, AC lockout and brownout protection
- Dual input 120/277 volt 60Hz
- Optional G2 self-test/self-diagnostics available
- 90 min emergency run time

CONFORMANCE TO CODES & STANDARDS

The RM Series is U.L. Listed and meets or exceeds the following: U.L. 924, N.E.C. requirements and N.F.P.A. 101.

WARRANTY

Any component that fails due to manufacturer's defect is guaranteed for 3 years, with a 3 year prorated warranty on the battery. Warranty does not apply to damages caused by improper installation, abuse, fire or acts of God. Manufacturer reserves the right to charge for such repairs if deemed necessary.

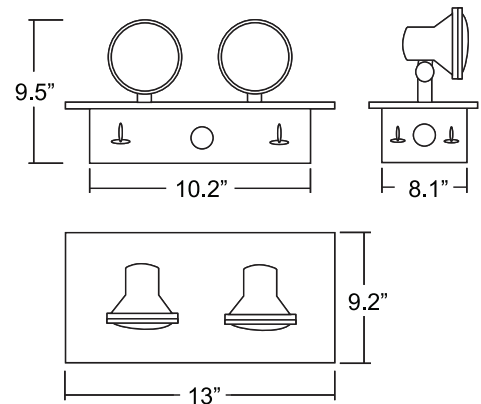
Specifications are subject to change without notice



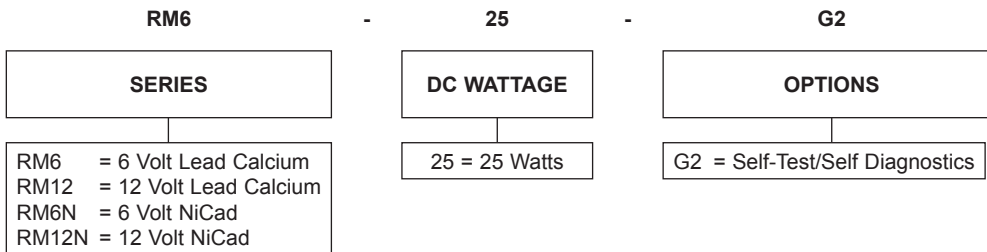
AVAILABLE FIRST QUARTER OF 2011!

The RM Series recessed emergency light will complement any decor, offering a low profile, unobtrusive design combined with rugged steel construction and reliable electronics.

DIMENSIONS



ORDERING INFORMATION



CHICAGO APPROVED

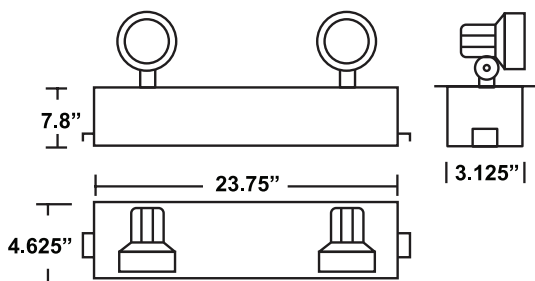


CR CHICAGO APPROVED RECESSED T-BAR EMERGENCY LIGHTING



The Recessed T-Bar CR Series combines performance and dependability into a rugged 20 gauge enclosure. Designed specifically for T-bar type ceiling grid systems, this recessed installation provides a clean, architectural appearance. The CR Series is available with a wide range of lamp heads to fit any application.

DIMENSIONS



FEATURES

- 6 or 12 Volt, 27 to 54 Watt
- Designed specifically for T-bar type ceiling grid systems
- Come standard with two steel PAR 36 lampheads with sealed beam lamps
- Accepts up to four lamp heads
- Rugged 20 gauge steel housing with white powder coated finish
- Optional G2 self-diagnostics available
- Maintenance-free, sealed lead acid batteries
- Optional time delay available

CONFORMANCE TO CODES & STANDARDS

The CR Series is U.L. Listed and meets or exceeds the following: U.L. 924, N.E.C. requirements and N.F.P.A. 101.

WARRANTY

Any component that fails due to manufacturer's defect is guaranteed for 5 years, with a 5 year prorated warranty on the battery. Warranty does not apply to damages caused by improper installation, abuse, fire or acts of God. Manufacturer reserves the right to charge for such repairs if deemed necessary.

Specifications are subject to change without notice

ORDERING INFORMATION

CHICAGO APPROVED

CR6	-	36	-	D0609	-	2	-	G2
MODEL		DC WATTAGE		LAMP HEADS		# OF HEADS		OPTIONS
CR6 = 6 Volt CR12 = 12 Volt		6 Volt 27 36 54 12 Volt 54		<u>6V TUNGSTEN WEDGE BASE</u> D0607 = 7 Watt D0609 = 9 Watt <u>6V HALOGEN</u> D06H08 = 8 Watt D06H10 = 10 Watt D06H12 = 12 Watt <u>12V TUNGSTEN WEDGE BASE</u> D1209 = 9 Watt D1212 = 12 Watt D1218 = 18 Watt <u>12V SEALED BEAM HALOGEN</u> S12H08 = 8 Watt S12H12 = 12 Watt <i>(Suggested heads are listed above)</i>		0 = No Head 1 = 1 Head 2 = 2 Heads 3 = 3 Heads 4 = 4 Heads		G2 = Self Test / Self Diagnostics G2AA = G2 w/Audible Alarm TD = Time Delay LC = 3' Line Cord

RS 18-150W CHICAGO APPROVED EMERGENCY LIGHTING



FEATURES

- 6 volt and 12 volt system
- Maintenance-free sealed lead acid batteries, optional NiCad battery available
- Battery lockout circuit
- Low voltage disconnect
- Choice of lamp heads
- Brown-out circuit protection
- High charge and AC ready
- 120/277 VAC
- 220 volt 50Hz operation available by special order
- Rugged 20 gauge steel housing
- Units available in white or black powder coated finish
- Short circuit protected
- Optional Time Delay

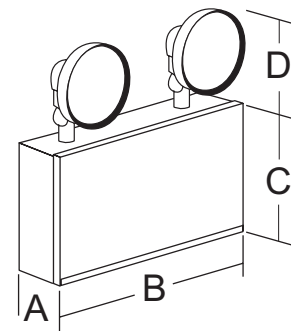
CONFORMANCE TO CODES & STANDARDS

The RS Series is U.L. Listed and meets or exceeds the following: U.L. 924, N.E.C. requirements and N.F.P.A. 101.

WARRANTY

Any component that fails due to manufacturer's defect is guaranteed for 3 years with a separate 5 year pro-rated warranty on the battery. The warranty does not cover physical damage, abuse or acts of God. Manufacturer reserves the right to charge for such repairs if deemed necessary.

DIMENSIONS



	18-36W	54W	72-100W	150W
A	2.89"	2.94"	4.55"	4.55"
B	11.62"	13.29"	13.29"	16.09"
C	5.25"	8.00"	8.50"	8.50"
D	6.00"	6.00"	6.00"	6.00"

ORDERING INFORMATION

RS12N	50	D1225	2	W	G2
SERIES/ BATTERY	DC WATTAGE	LAMP HEADS	# OF HEADS	HOUSING FINISH	OPTIONS
RS6 = 6 Volt, Lead Calcium RS6N = 6 Volt, NiCad RS12 = 12 Volt, Lead Calcium RS12N = 12 Volt, NiCad	<u>6 VOLT, LEAD CALCIUM</u> 18 = 18 Watt 25 = 25 Watt 36 = 36 Watt 50 = 50 Watt <u>6 VOLT, NICAD</u> 18 = 18 Watt 25 = 25 Watt 36 = 36 Watt 50 = 50 Watt 75 = 75 Watt <u>12 VOLT, LEAD CALCIUM</u> 50 = 50 Watt 75 = 75 Watt 100 = 100 Watt 125 = 125 Watt 150 = 150 Watt <u>12 VOLT, NICAD</u> 25 = 25 Watt 36 = 36 Watt 50 = 50 Watt 75 = 75 Watt 100 = 100 Watt 125 = 125 Watt	<u>6V TUNGSTEN SEALED BEAM</u> D0608 = 8 Watt D0618 = 18 Watt D0625 = 25 Watt D0630 = 30 Watt <u>12V TUNGSTEN SEALED BEAM</u> D1212 = 12 Watt D1218 = 18 Watt D1225 = 25 Watt D1230 = 30 Watt (Suggested heads are listed above, see lamp head data sheet for optional heads)	0 = No Head 1 = 1 Head 2 = 2 Heads 3 = 3 Heads 4 = 4 Heads	W = White B = Black	G2 = Self-Test/Self-Diagnostics TD = Time Delay LC = Line Cord 220V = 220-240VAC 50Hz (Only to 54W)

Note: Some option configurations may impact UL listing. Consult factory for specifics.

Specifications are subject to change without notice

CHICAGO APPROVED



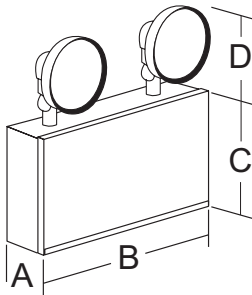
RS 100-360W CHICAGO APPROVED EMERGENCY LIGHTING



FEATURES

- Durable 20 gauge steel construction with white powder coated finish
- Energy efficient pulse switching charger, includes low voltage disconnect, AC lockout and brownout protection
- High impact, steel PAR 36 lamp heads with sealed beam lamps
- 120/277V dual primary 60Hz input
- Maintenance-free sealed lead acid battery, optional NiCad battery available
- 90 minute emergency run time, 24 hour recharge time
- Available with optional G2 Self-Test/Self-Diagnostics

DIMENSIONS



	A	B	C	D
6 & 12V 125-200W	8.00"	13.00"	10.00"	6.00"
12 & 24V 250-400W	8.00"	18.00"	10.00"	6.00"

CONFORMANCE TO CODES & STANDARDS

The RS Series is E.T.L. Listed and meets or exceeds the following: U.L. 924, N.E.C. requirements and N.F.P.A. 101.

WARRANTY

Any component that fails due to manufacturer's defect is guaranteed for 3 years with a separate 3 year pro-rated warranty on the battery. The warranty does not cover physical damage, abuse or acts of God. Manufacturer reserves the right to charge for such repairs if deemed necessary.

ORDERING INFORMATION

RS12N - 150 - R1225 - 2 - W - G2

SERIES/ BATTERY	DC WATTAGE	LAMP HEADS	# OF HEADS	HOUSING FINISH	OPTIONS
RS6 = 6 Volt, Lead Calcium RS12 = 12 Volt, Lead Calcium RS12N = 12 Volt, NiCad RS24 = 24 Volt, Lead Calcium RS24N = 24 Volt, NiCad	<u>6 VOLT, LEAD CALCIUM</u> 100 = 100 Watt 125 = 125 Watt 150 = 150 Watt 200 = 200 Watt <u>12 VOLT, LEAD CALCIUM</u> 200 = 200 Watt 250 = 250 Watt 300 = 300 Watt 360 = 360 Watt <u>12 VOLT, NICAD</u> 100 = 100 Watt 125 = 125 Watt 150 = 150 Watt 200 = 200 Watt <u>24 VOLT, LEAD CALCIUM</u> 200 = 200 Watt 300 = 300 Watt 360 = 400 Watt <u>24 VOLT, NICAD</u> 100 = 100 Watt 125 = 125 Watt 150 = 150 Watt 200 = 200 Watt	<u>6V TUNGSTEN SEALED BEAM</u> S0608 = 8 Watt S0618 = 18 Watt S0625 = 25 Watt S0630 = 30 Watt <u>12V TUNGSTEN SEALED BEAM</u> S1212 = 12 Watt S1218 = 18 Watt S1225 = 25 Watt S1230 = 30 Watt <u>12V HALOGEN SEALED BEAM</u> S12H50 = 50 Watt (Suggested heads are listed above, see lamp head data sheet for optional heads)	0 = No Head 1 = 1 Head 2 = 2 Heads	W = White B = Black	G2 = Self-Test/Self-Diagnostics TD = Time Delay LC = Line Cord

Specifications are subject to change without notice

CHICAGO APPROVED

NY900 NEW YORK APPROVED LED EDGE-LIT EXIT

FEATURES

- 8" characters with 1" stroke, meets New York City code requirements for exit lighting
- Recessed and surface mounting enclosures
- Attractive aluminum extrusion design
- Standard colors: black, white and brushed aluminum enclosures
- Optional G2 Self-Test/Self-Diagnostic circuitry available
- Specify arrow configuration when ordering or field applicable chevrons available
- 120/277V dual primary 60Hz input
- Short circuit and voltage surge protection
- Low voltage disconnect eliminates deep discharge
- Overcharge and brown-out protection
- Maintenance-free lead acid battery, optional NiCad battery available
- ETL listed 90 minute emergency run time, 24 hour recharge time

CONFORMANCE TO CODES & STANDARDS

The NY900 Series is E.T.L. Listed and meets or exceeds the following: U.L. 924, N.E.C. requirements and N.F.P.A. 101.

WARRANTY

Any component that fails due to manufacturer's defect is guaranteed for 25 years with a separate 5 year pro-rated warranty on the battery. The warranty does not cover physical damage, abuse or acts of God. Manufacturer reserves the right to charge for such repairs if deemed necessary.

Specifications are subject to change without notice

ORDERING INFORMATION

NY902	U	WB	ZC	BA	G2AA	ER1-KIT
SERIES	MOUNTING	POWER SOURCE	CHEVRONS	HOUSING FINISH	OPTIONS	ACCESSORIES (Order as separate line item)
NY902 = Singleface NY903 = Doubleface	U = Universal R = Recessed	LB = Less Battery WB = With Battery NC = Ni-Cad	ZC = Zero Chevron (Includes Field Applicable Chevrons)	WH = White BL = Black BA = Brushed Aluminum	83 ¹ = Fully Universal, Includes SF & DF Panels and Hardware to Support Surface & Recessed Mounting G2 ² = Self-Test/Self-Diagnostics G2AA ² = G2 w/Audible Alarm DR = Damp Location Rated FL = Flasher BZ = Buzzer FB = Flasher & Buzzer A1 = Fire Alarm Interface w/ Flasher A2 = Fire Alarm Interface w/ Flasher & Buzzer	ER1-KIT ³ = 12" Pendant Kit ER2-KIT ³ = 24" Pendant Kit

¹ Order with "U = Universal" Mounting Option

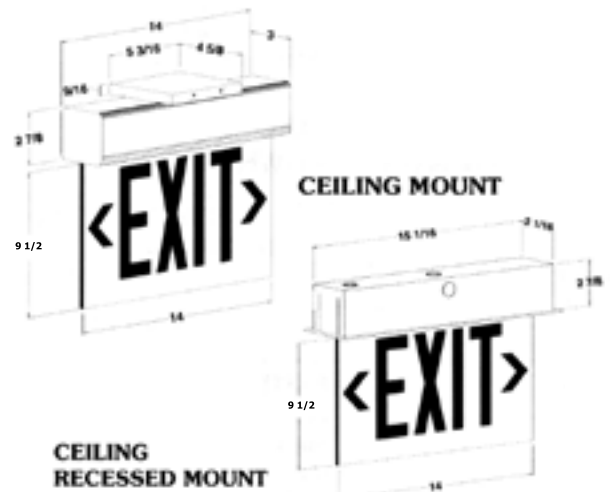
² G2 options come standard with Nickel Metal Hydride Batteries

³ For surface mount applications only



LED illuminated AC only and emergency exit models meet New York requirements. Architecturally pleasing signs for wall, ceiling, end mount or recessed applications.

DIMENSIONS



NEW YORK APPROVED

S900-8 NEW YORK APPROVED LED EDGE-LIT EXIT

FEATURES

- 8" characters with 1" stroke, meets New York City code requirements for exit lighting
- Pivoting design for simple installation in any application, including wall, ceiling, sloped ceilings or recessed mounting in single or double face configurations
- Truly universal mounting, includes surface mounting canopy as well as back box for recessed mounting applications
- Die cast aluminum housing with high grade acrylic panel
- Compact, low profile design
- Field applicable chevrons provided
- 120/277VAC operation
- Low voltage disconnect
- Optional G2 Self-Test/Self-Diagnostics available
- E.T.L. listed 90 minute emergency run-time, 24 hour recharge time

WARRANTY

Any component that fails due to manufacturers defect is guaranteed for 5 years with a separate 3 year pro-rated warranty on the battery. The warranty does not cover physical damage, abuse or acts of God. Manufacturer reserves the right to charge for such repairs if deemed necessary.

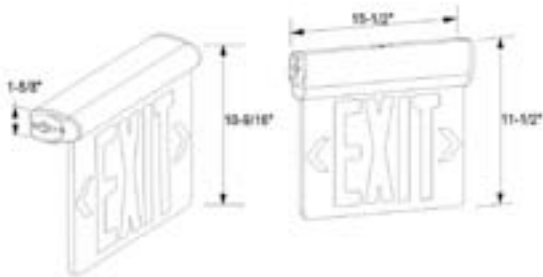
CODE CONFORMANCE

The S900-8 Series is E.T.L. Listed and meets or exceeds the following: U.L. 924, N.E.C. requirements and N.F.P.A. 101.



Combining a low-profile, architectural look with quality components to create the best value in New York Approved edge-lit exits.

DIMENSIONS



Specifications are subject to change without notice

ORDERING INFORMATION

S902 - WB - SR - 8 - RC - BA

SERIES	POWER SOURCE	MOUNTING	CHARACTER HEIGHT	PANEL COLOR	HOUSING FINISH
S902 = Single S903 = Double	LB = AC Only WB = With Battery	SR = Universal (Includes Kits For Surface & Recessed Mounting)	8 = 8" Height	Single Face RC = Red Letters Clear Panel Double Face RM = Red Letters Mirror Panel	BA = Brushed Alum WH = White

NEW YORK APPROVED

FEATURES

- Meets New York City code requirements for exit lighting
- Enclosure constructed of die cast aluminum
- Red high intensity LEDs
- Constant uniform illumination
- Fully illuminated 8" letters with 1" stroke
- Universal mount, all units supplied with mounting canopy
- Chevron style universal arrow knockouts
- Voltage surge and short circuit protection
- Automatic diagnostic tester available
- Overcharge protection
- Flasher/buzzer options to meet ADA regulations
- Low voltage disconnect eliminates deep discharge
- Brown-out protection
- UL recognized NiCad battery
- 90 min emergency run time, 24 hour recharge time

CONFORMANCE TO CODES & STANDARDS

The NY Series is E.T.L. Listed and meets or exceeds the following: U.L. 924, N.E.C. requirements and N.F.P.A. 101.

WARRANTY

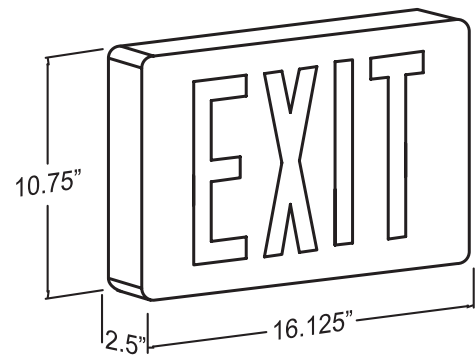
Any component that fails due to manufacturer's defect is guaranteed for 25 years with a separate 5 year pro-rated warranty on the battery. The warranty does not cover physical damage, abuse or acts of God. Manufacturer reserves the right to charge for such repairs if deemed necessary.

Specifications are subject to change without notice



An aesthetically pleasing slim profile, combined with a durable die cast aluminum housing. Features a detachable hinged face. Installs quickly and easily and comes standard with dual 120V/277V inputs.

DIMENSIONS



ORDERING INFORMATION

NY1	WB	BL	G2-DR
SERIES	POWER SOURCE	HOUSING FINISH	OPTIONS
NY1 = Red Single Face NY2 = Red Double Face	LB = Less Battery WB = NiCad Battery	BL = Black w/ Alum Face BB = Black w/ Black Face WW = White w/ White Face BA = Brushed Alum w/ Alum Face	G2 = Self Test/Self Diagnostics* G2AA = Self Test/Self Diagnostics w/Audible Alarm* DR = Damp Location Rated DL = LED Down Light FL = Flasher BZ = Buzzer FB = Flasher & Buzzer A1 = Fire Alarm Interface w/Flasher A2 = Fire Alarm Interface w/Flasher & Buzzer DR = Damp Location Rating FM = Flush Mount Kit VL = Polycarbonate Vandal Lens TRH = Tamper Resistant Hardware
* G2 option comes standard with NiMh battery			
ER1-KIT			
ACCESSORIES (Order as separate line item)			
TRT8 = Tamper Resistant Tool ER1-KIT = 1' Pendant Kit ER2-KIT = 2' Pendant Kit			

NEW YORK APPROVED

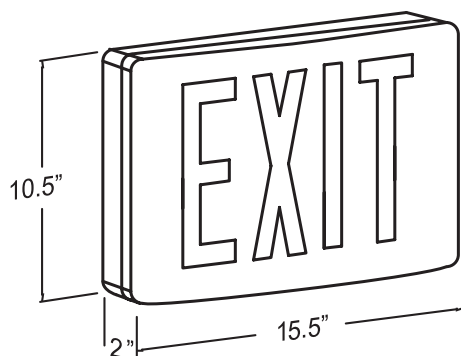


400U-8 NEW YORK APPROVED DIE-CAST EXIT



The 400U-8 Universal Die Cast Aluminum Exits are designed to combine both beauty and performance while maintaining optimal energy efficiency with a bright, uniform face.

DIMENSIONS



FEATURES

- 8" tall characters, 1" stroke width - approved for use in New York City
- Damp location listed
- Enclosure, face plate, back plate and mounting canopy constructed of precision die cast aluminum all included standard
- Universal enclosure design
- Red high intensity LEDs
- Constant uniform illumination
- No visible LEDs
- Enclosure is available in black, white or brushed aluminum finish
- Chevron style universal arrow knockouts
- 120/277V dual primary, 60Hz input
- Short circuit protection
- Voltage surge protection

CONFORMANCE TO CODES & STANDARDS

The 400U-8 Series is E.T.L. Listed and meets or exceeds the following: U.L. 924, N.E.C. requirements and N.F.P.A. 101.

WARRANTY

Any component that fails due to manufacturer's defect is guaranteed for 5 years with a separate 5 year pro-rated warranty on the battery. The warranty does not cover physical damage, abuse or acts of God. Manufacturer reserves the right to charge for such repairs if deemed necessary.

ORDERING INFORMATION

400U-8

-

WB

-

WW

SERIES

400S-8 = Red Single face
 G400S-8 = Green Single face
 400U-8 = Red Universal
 G400U-8 = Green Universal
 (Universal includes 2nd exit face and backplate)

POWER SOURCE

LB = Less Battery
 WB = With Battery

HOUSING FINISH

BL = Black w/Alum Face
 BB = Black w/Black Face
 WW = White w/White Face
 BA = Brushed Aluminum w/Alum Face
 WH = White w/Alum Face

Specifications are subject to change without notice

NEW YORK APPROVED

VEX-8 NEW YORK APPROVED STEEL EXIT

FEATURES

- Welded steel-housing
- 8" characters, 1" stroke width - meets New York City requirements
- Constant uniform illumination
- Damp rated
- Color matched diffuser provides optimal light output
- White powder coated finish
- Universal mounting, includes canopy & second exit face
- Chevron style universal arrows
- 120/277V dual primary 60Hz input
- Short circuit protection
- Voltage surge protection
- Nickel cadmium battery
- Solid-state, constant current type charger
- Low voltage disconnect eliminates deep discharge
- Brown-out protection
- 12 hour recharge time

CONFORMANCE TO CODES & STANDARDS

The VEX-8 Series is E.T.L. Listed and meets or exceeds the following: U.L. 924, N.E.C. requirements and N.F.P.A. 101.

WARRANTY

Any component that fails due to manufacturer's defect is guaranteed for 5 years with a separate 5 year pro-rated warranty on the battery. The warranty does not cover physical damage, abuse or acts of God. Manufacturer reserves the right to charge for such repairs if deemed necessary.



Attractive and easy to install, the VEX-8 offers quality LED illumination and electronics in a durable steel enclosure. The VEX-8 is ideal for any commercial, institutional, or industrial application.

DIMENSIONS



ORDERING INFORMATION

VEX	-	8	-	U	-	S	-	WB	-	WH
MODEL		CHARACTER HEIGHT		FACE STYLE		HOUSING TYPE		POWER SOURCE		HOUSING FINISH
VEX = Red		8 = 8"		U = Universal (includes 2 face plates, back plate and mounting canopy)		S = Steel		LB = Less Battery WB = With Battery		WH = White

Specifications are subject to change without notice

VEXC-8 NEW YORK APPROVED STEEL COMBO EXIT

FEATURES

- Welded steel-housing
- 8" characters, 1" stroke width - meets New York City requirements
- Available with either (3) 6V/9W PAR36 lamps or (2) 6V/12W PAR36 lamps
- Constant uniform illumination
- Universal mount, mounting canopy and second exit face included
- Mounting canopy included
- Chevron style universal arrows
- 120/277V dual primary 60Hz input
- Short circuit protection
- Voltage surge protection
- Sealed lead acid battery
- Solid-state, constant current type charger
- Low voltage disconnect eliminates deep discharge
- Brown-out protection
- 12 hour recharge time

CONFORMANCE TO CODES & STANDARDS

The VEXC-8 Series is E.T.L. Listed and meets or exceeds the following: U.L. 924, N.E.C. requirements and N.F.P.A. 101.

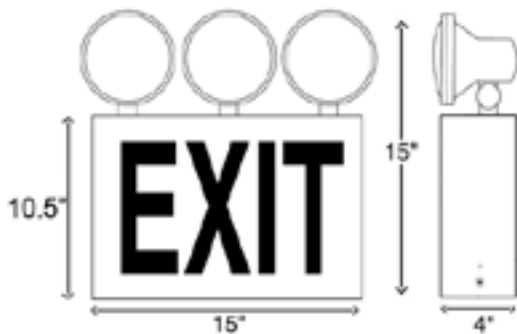
WARRANTY

Any component that fails due to manufacturer's defect is guaranteed for 5 years with a separate 5 year pro-rated warranty on the battery. The warranty does not cover physical damage, abuse or acts of God. Manufacturer reserves the right to charge for such repairs if deemed necessary.



Attractive and easy to install. The VEXC-8 offers energy-efficient LED illumination and reliable emergency lighting in a durable steel enclosure. The VEXC-8 is ideal for any commercial, institutional, or industrial application.

DIMENSIONS



ORDERING INFORMATION

VEXC	-	8	-	S	-	WB	-	WH	-	2
MODEL		CHARACTER HEIGHT		HOUSING TYPE		POWER SOURCE		HOUSING FINISH		NO. OF LAMPS
VEXC = Red		8 = 8"		S = Steel		WB = Sealed Lead Acid Battery		WH = White		BLANK = (3) 6V/9W PAR36 Lamps 2 = (2) 6V/12W PAR36 Lamps

Specifications are subject to change without notice

NY-LL NEW YORK APPROVED STEEL EMERGENCY LIGHT



FEATURES

- Meets New York City requirements
- 6 and 12 volt, 18 to 54 watts
- Maintenance-free, sealed lead-acid batteries
- Battery lockout circuit
- Low voltage disconnect
- Choice of fully adjustable lamp heads
- Temperature compensation and brown-out circuit
- 120/277 VAC
- Rugged 20 gauge steel housing
- Units available in white powder coated finish
- Overload/Short circuit protected
- Regulated charge voltage

CONFORMANCE TO CODES & STANDARDS

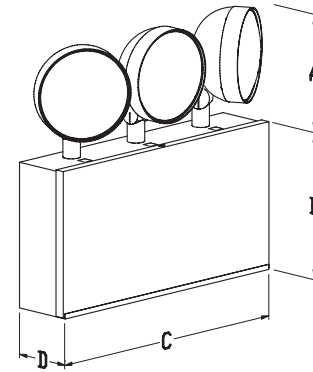
The NY-LL Series is E.T.L. Listed and meets or exceeds the following: U.L. 924, N.E.C. requirements and N.F.P.A. 101.

WARRANTY

Any component that fails due to manufacturer's defect is guaranteed for 1 year with a separate 5 year pro-rated warranty on the battery. The warranty does not cover physical damage, abuse or acts of God. Manufacturer reserves the right to charge for such repairs if deemed necessary.

The NY-LL Series combines performance and dependability into a rugged 20 gauge enclosure. Available in a wide variety of battery wattages and lamp styles to complement any application.

DIMENSIONS



WATTAGE	A	B	C	D
18-27 (2 heads)	6.00"	9"	10.25	2.5"
27-54 (3 heads)	6.00"	10.5"	14.5	2.5"

ORDERING INFORMATION

MODEL	WATTAGE	LAMP HEADS	# OF HEADS	HOUSING FINISH	OPTIONS
NY-LL12 = 12 Volt NY-LL6 = 6 Volt	<u>6 Volt</u> 18 27 54 <u>12 Volt</u> 36 54	<u>6V TUNGSTEN</u> T0609 = 9 Watt <u>12V TUNGSTEN</u> T1209 = 9 Watt <i>(Suggested heads are listed above)</i>	0 = No Head 2 = 2 Heads 3 = 3 Heads	W = White	L = Large Box (18-27W Only)

Specifications are subject to change without notice

XEB Series FLUORESCENT EMERGENCY BALLASTS

EMERGENCY BALLASTS



The XEB Series Fluorescent Emergency Ballast allows the same fixture to be used for both normal and emergency operation when used in conjunction with an AC ballast.

If used in an emergency only fixture, no AC ballast is necessary. In the event of a power failure, the XEB instantly switches to the emergency mode and operates one or more of the existing lamps for 90 minutes.

The unit contains a battery, charger, and electronic circuit in a single can.

The XEB can be mounted in the wireway or on top of the fixture, and is U.L. Listed for factory installation or retrofit applications.

FEATURES

- U.L. Listed for factory or field installation
- Will cold start and operate all specified lamps
- 24 hour recharge time
- High temperature, maintenance free, nickel-cadmium battery
- Painted steel cases
- Damp location listed

REMOTE MOUNTING

When battery packs are remote mounted, the remote distance cannot exceed 1/2 of the distance from ballast to lamp, as specified by the AC ballast manufacturer. The maximum allowable remote mounting distance is 50 ft. from the lamp.

CONFORMANCE TO CODES & STANDARDS

U.L. 924 listed for factory installations or field retrofit applications. Emergency illumination time exceeds the National Electric Code (NEC), Life Safety Code (NFPA-LSP), and U.L. 924 90 minute requirements.

WARRANTY

The XEB Series is warranted for five (5) years from date of purchase. Warranty covers only Exitronix emergency ballasts installed as directed, and used under normal conditions. Warranty does not cover physical damage, abuse, or acts of God.

	Model	Lumen Output	Lamps Operated	
			1	2
LINEAR	XEB-5-B-LM	350-500	X	
	XEB-55-B-LM	350-550	X	
	XEB-7-B-LM	390-700	X	X
	XEB-13	680-1400	X	X
	XEB-13-P	900-1400		X
	XEB-13-CP	680-1350	X	X
	XEB-14-LM	900-1400	X	X
	XEB-30-B-LM	1800-3000	X	X
	XEB-3000	2300-3000	X	X
	XEB-30-P	2600-3000		X
COMPACT FLUORESCENT	XEB-6-CF	350-650	X	
	XEB-26-CF	550-650	X	
	XEB-65-CF-LM	300-650	X	
	XEB-42-CF	350-750	X	X
	XEB-75-CF-LM	300-750	X	X
	XEB-420-CF	600-1300	X	X
	XEB-420-CF-CP	600-1300	X	X
T5 LAMPS	XEB-T5-5-B-LM	320-500	X	
	XEB-T5-8-B-LM	425-825	X	
	XEB-T5-13-B-LM	600-1300	X	
	XEB-13-54	700-1300	X	

Types of Lamps	Options		Ballast Dimensions	Mounting Center
	G2 (add "-G2")	DR		
Most 17W - 40W, 2'-4' single and bipin, T8, T10, and T12, including U-shaped, circline and 4-pin compact, compatible with low mercury lamps		X	9.4" x 2.4" x 1.5"	8.9"
Most 17-40W (2'-4') single, Bi-pin T8 thru T12, 8-28W T5, & 17-40W 4-pin fluorescent lamps, compatible with low mercury lamps		X	10' x 2" x 1.2"	9.5"
Most 17W-215W, 2'-8' single and bipin, T8, T10, and T12, including U-shaped, circline, and 4-pin compact, compatible with low mercury lamps		X	9.4" x 2.4" x 1.5"	8.9"
Most 2'-8' single, bipin T8 & T12, long compact, HO or VHO and 2'-4' 28W-54W T5	X	ADD "- DR"	13" x 2.2" x 1.25"	12.8"
Most 2'-8' single, bipin T8 & T12, long compact, HO or VHO and 2'-4' 28W-54W T5 Parallel Lamp Operation		ADD "- DR"	13.3" x 2.375" x 1.5"	12.75"
Most 2'-8' single, bipin T8 & T12, long compact, HO or VHO and 2'-4' 28W-54W T5 - Cold Location Operation, -18 to 55°C		ADD "- DR"	13.3" x 2.375" x 1.5"	12.75"
Most (2' - 8') T8 thru T12 linear, U-shaped, HO, VHO, Circline, Energy Saving, and (4 pin) twin, quad, and triple tube compact, compatible with low mercury lamps		X	13.3" x 2.4" x 1.5"	12.8"
Most 17W-215W, 2'-8' single and bipin, T8, T10, and T12, HO and VHO, Rapid Start, Slimline, and 4 pin 13, 18, 26 U-lamp, Circline compact, compatible with low mercury lamps		X	16.3" x 5.5" x 1.7"	8.9"
Most 2'-8' single, bipin T8 & T12 HO or VHO fluorescent lamps, incl. long compact 42W 4-Pin, and 2'-4' 28W & 54W T5 HO or VHO		ADD "- DR"	16.375" x 3.0" x 3.0"	15.875"
Most 2'-4' single, bipin T8 & T12 HO or VHO, 54W T5 and 26W-57W 4-pin compact Parallel Lamp Operation		ADD "- DR"	16.375" x 3.0" x 3.0"	15.875"
5, 7, 9, and 13W, 2-pin twin tube and 9-13W 2-pin quad tube with integral starter		ADD "- DR"	9.5" x 2.375" x 1.5"	9"
18 & 26W 2-Pin quad tube with integral starter		ADD "- DR"	9.5" x 2.375" x 1.5"	9"
10W - 26W compact with integral starters, including 2 pin, quad, or triple twin tube compact, compatible with low mercury lamps		X	9.4" x 2.4" x 1.5"	8.9"
10-42W 4-pin rapid start twin, triple, or quad tube, 2D and straight compact, and 18-36W long compact. Also operates low mercury content amalgam lamps.*		ADD "- DR"	9.5" x 2.375" x 1.5"	9"
13W - 42W 4-pin twin, quad, and triple tube compact, compatible with low mercury lamps		X	9.4" x 2.4" x 1.5"	8.9"
10-57 Watt 4-pin Rapid Start Compact, including Twin Tube, Triple Tube, Quad, 2D & Straight Also operates low mercury content amalgam lamps.*	X	ADD "- DR"	13.3" x 2.375" x 1.5"	12.75"
10-57 Watt 4-pin Rapid Start Compact, including Twin Tube, Triple Tube, Quad, 2D & Straight Also operates low mercury content amalgam lamps.* - Cold Location Operation, -18 to 55°C		ADD "- DR"	13.3" x 2.375" x 1.5"	12.75"
Most 2'-4' T5 up to 28W or T8 linear fluorescent, compatible with low mercury lamps		X	14.2" x 1.18" x 1.15"	13.7"
Most 2'-4' T5, 17W to 30W T6, or 17W to 40W T8 linear lamps including HO and 36-55W 4-Pin long compact, compatible with low mercury lamps		X	17.5" x 1.18" x 1.15"	17"
Most 2'-4' T5 14-54W or T8 17-40W linear lamps without internal starters and 17-55W watt 4-pin long compact, compatible with low mercury lamps		X	21.5" x 1.22" x 1.15"	21"
Most 2'-4' T5, 17W - 30W or 17W - 40W T8 linear lamps including HO and 36-55W 4-Pin long compact		ADD "- DR"	21.5" x 1.18" x 1.15"	21"

PHOENIX COMPACT SINGLE PHASE UPS, 350 TO 2100W



SPECIFICATIONS

- Sizes: 350, 525, 700, 875, 1050, 1400 and 2100 watts
- Input Voltage: 120 volt only $\pm 10\%$ on-line zero transfer time, or 208, 240, or 277 volt input with external isolation transformer only
- Output Voltages: 120 Volt only, or 208, 240, or 277 volt with external isolation transformer only
- Output Freq. (Inverter Operation): 60 Hz ± 0.5 Hz
- Output Voltage Regulation: $\pm 4\%$ for all loads and for battery discharge mode
- Output Wave Form: Sine-Wave during emergency @ 10% max. THD with linear load
- Output Protection: Current limiting and short circuit protection
- Battery: Maintenance-free sealed lead calcium battery
 - 48 VDC for 500, 750, & 1000 VA
 - 72 VDC for 1250, 1500, & 2000 VA
 - 96 VDC for 3000 VA
- Recharge Time: Conforms to UL standards
- Humidity: 0 - 95% RH w/ no condensation
- Operating Temperature:
 - UPS: 0° to +40°C. (32° - 104°F)
 - Battery: 20° to 25°C. (68°-77°F)

APPLICATIONS

- Retail Stores
- Medical Clinics
- Banks
- Apartments
- Office
- Large Homes
- Schools
- Restaurants
- Motels
- Military Barracks
- Small Industrial

ORDERING INFORMATION

Total Watts	Model Numbers	Input	Output	Weight (lbs)	Ship Wt. (lbs)	BTUs/Hr	Size W x H x D
350/ 330*	PS.50A0100N1	120V	120V	238	305	300	24" x 28" x 15"
	PS.50A0100N1/9100-768	277V	120V	259	326		
	PS.50A0100N1/9100-768	120V	277V	259	326		
	PS.50A0100N1/9100-768/9100-768	277V	277V	280	347		
525/ 500*	PS.75A0100N1	120V	120V	238	305	450	24" x 28" x 15"
	PS.75A0100N1/9100-768	277V	120V	259	326		
	PS.75A0100N1/9100-768	120V	277V	259	326		
	PS.75A0100N1/9100-768/9100-768	277V	277V	280	347		
700/ 670*	PS1.0A0100N1	120V	120V	303	370	600	24" x 28" x 15"
	PS1.0A0100N1/9100-770	277V	120V	343	410		
	PS1.0A0100N1/9100-770	120V	277V	343	410		
	PS1.0A0100N1/9100-770/9100-770	277V	277V	383	450		
875/ 840*	PS1.2A0100N1	120V	120V	404	471	750	24" x 28" x 15"
	PS1.2A0100N1/9100-770	277V	120V	444	511		
	PS1.2A0100N1/9100-770	120V	277V	444	511		
	PS1.2A0100N1/9100-770/9100-770	277V	277V	484	551		
1050/ 1000*	PS1.5A0100N1	120V	120V	418	485	1010	24" x 28" x 15"
	PS1.5A0100N1/9100-771	277V	120V	505	572		
	PS1.5A0100N1/9100-771	120V	277V	505	572		
	PS1.5A0100N1/9100-770/9100-771	277V	277V	592	659		
1400/ 1345*	PS2.0A0100N1-02	120V	120V	478	545	1675	24" x 28" x 15"
	PS2.0A0100N1/9100-771	277V	120V	565	632		
	PS2.0A0100N1/9100-771	120V	277V	565	632		
	PS2.0A0100N1/9100-770/9100-771	277V	277V	652	719		
2100/ 2015*	PS3.0A0100N1-02	120V	120V	583	650	1425	24" x 28" x 15"
	PS3.0A0100N1/9100-771	277V	120V	672	737		
	PS3.0A0100N1/9100-771	120V	277V	672	737		
	PS3.0A0100N1/9100-770/9100-771	277V	277V	759	824		

* External Isolation Transformer

All units are 90 minutes Battery Back-up time @ full load, consult factory for longer back-up times (up to 6 hours).

Specifications are subject to change without notice

PHOENIX SINGLE PHASE UPS, 2.1 TO 14KW

SPECIFICATIONS

Power Rating: 2.1, 3.5, 5.2, 7, 8.8, 10.5 and 14 KW

Input Voltage: 2.1 & 3.5 KW; 120, 208, 240, or 277 VAC (-20% to +15%); 5.2 - 14 KW; 208, 240, or 277 VAC (-15% to +15%)

Input Frequency: Slew rate of 2 Hz/sec

Output Voltages: 3 - 20 KVA; 120, 208, 240, or 277VAC

Output Freq. (Inverter Operation): 60 Hz ±0.5 Hz

Voltage Regulation: ±3%

Output Wave Form: Sine-Wave

Optional Input Protection: Input circuit breaker provided protection to the unit, load and personnel. Input circuit breaker will be higher interruption rated (10, 42, and 65 KAIC)

Optional Output Protection: Internal electronic overload protection. Circuit breaker provides inherent over-load protection. Factory selectable voltage 120, 208, 240, or 277 for input or output voltages. If input is different from output or output different from input, an internally mounted transformer is required.

Isolation: Complete from line. Output neutral bonded to ground

Noise Isolation: -120 dB Common-Mode; -60 dB Transverse-Mode

Battery: Sealed maintenance-free (AGM) battery

Recharge Time: Conforms to UL standards

External Battery: Provisions for hardwire connection of optional external battery cabinets or DC source.

Humidity: 0 - 95% RH w/ no condensation

Operating Temperature:

UPS: 0° to 40°C. (32° - 104°F)

Battery: 20° to 25°C. (68°-77°F)

Storage Temperature: -20° to 60°C.

(-4° - 140°F) electronics only.

Altitude: Up to 10,000 ft

Safety Agencies: Listed to UL1778, UL924 Lighting standards, and UL924A UPS standards by CSA

Cabinet Size:

Cab "B": 39"W x 48"H x 18"D

Cab "C": 39"W x 68"H x 18"D



UPS SYSTEMS

OPTIONS

- Secondary Auxillary Circuit Breakers: Normally On, Normally Off, Normally Off w/ Delay, Trip Alarm
 - Form 'C' Contacts (5) (N.o.)
 - Secondary Normally On/Off Terminal Block selection
 - Remote Status Panel Unit with Audible Alarm and Silence Switch
 - Local Audible Alarm with Silence Switch
 - Make Before Break Internal Maintenance Bypass Switch
 - External Maintenance Bypass Switch (wrap around type)
 - Main Input and/or Output Circuit Breaker (with custom KAIC)
 - Built-in Secondary Distribution
 - Input Transient Voltage Surge Suppressor (TVSS)
 - Harmonic Tolerance (up to K-50)
 - EMI Filter
 - Stackable Cabinet Rack to save floor space
 - Certified Zone 4 Seismic Brkt
 - Extended Warranty and Service Plans
 - Spare Part Kits Available
 - Global Monitoring System
- LOCAL**
- Local PC via RS232 & RS485
 - Event Logging up to 500
- REMOTE**
- Dial-up
 - Voice (10 event logging), numeric pager
 - Voice, data, fax, pager, PC, e-mail, event logging up to 500
- Web/SNMP: System status, measurement, alarm notification, event logging, and password protection

ORDERING INFORMATION

KW	Input/Output Voltages	Model Numbers	DC Volts	BTU/ Hr	Cabinet Size UPS (Battery) (W x H x D)	Weights (lbs)	
						UPS	Batt.
2.1	120/120	PS3.0A0100N1-VA	96	859	39" x 48" x 18"	826	N/A
	208/208	PS3.0B1300N1-VA		859		826	
	240/240	PS3.0D0400N1-VA		859		826	
	277/277	PS3.0R2500N1-VA		859		826	
	120, 208, 240, 277	**PS3.0X5800T1-VA		1166		896	
3.5	120/120	PS5.0A0100N1-VA	120	1314	39" x 68" x 18"	1101	N/A
	208/208	PS5.0B1300N1-VA		1314		1101	
	240/240	PS5.0D0400N1-VA		1314		1101	
	277/277	PS5.0R2500N1-VA		1314		1101	
	120, 208, 240, 277	**PS5.0X5800T1-VA		1433		1171	
5.2	208/208	PS7.5B1300N1-VA	120	1973	39" x 68" x 18"	1506	N/A
	240/240	PS7.5D0400N1-VA		1973		1506	
	277/277	PS7.5R2500N1-VA		1973		1506	
	208, 240, 277	**PS7.5X5800T1-VA		2150		1666	
7	208/208	PS010B1300N1-VA	192	2629	39" x 68" x 18"	1080	787
	240/240	PS010D0400N1-VA		2629		1080	
	277/277	PS010R2500N1-VA		2629		1080	
	208, 240, 277	**PS010X5800T1-VA		2866		1255	
8.8	208/208	PS012B1300N1-VA	192	3287	39" x 68" x 18"	1305	1047
	240/240	PS012D0400N1-VA		3287		1305	
	277/277	PS012R2500N1-VA		3287		1305	
	208, 240, 277	**PS012X5800T1-VA		3583		1525	
10.5	208/208	PS015B1300N1-VA	240	3926	39" x 68" x 18"	1545	1247
	240/240	PS015D0400N1-VA		3926		1545	
	277/277	PS015R2500N1-VA		3926		1545	
	208, 240, 277	**PS015X5800T1-VA		4299		1885	
14	208/208	PS020B1300N1-VA	240	5257	39" x 68" x 18"	1999	2173
	240/240	PS020D0400N1-VA		5257		1999	
	277/277	PS020R2500N1-VA		5257		1999	
	208, 240, 277	**PS020X5800T1-VA		5732		2599	

** Input Voltage "X": A=120 (3 & 5 KVA only), B=208, R=277 VAC Output Voltage "58": 120, 208, 240, and 277 VAC
All units are 90 minutes Battery Back-up time @ full load, consult factory for longer back-up times (up to 6 hours).

Specifications are subject to change without notice



PHOENIX SINGLE PHASE UPS, 3 TO 15KW



SPECIFICATIONS

Power Rating: 3, 5, 7.5, 10, 12.5, and 15 KW
Input Voltage: 3 & 5 KW; 120, 208, 240, or 277 VAC (-20% to +15%); 7.5 - 15 KW; 208, 240, or 277 VAC (-15% to +15%)
Input Frequency: Slew rate of 2 Hz/sec
Output Voltages: 3 - 15 KVA; 120, 208, 240, or 277VAC
Output Freq. (Inverter Operation): 60 Hz ±0.5 Hz
Voltage Regulation: ±3%
Output Wave Form: Sine-Wave
Optional Input Protection: Input circuit breaker provided protection to the unit, load and personnel. Input circuit breaker will be higher interruption rated (10, 42, and 65 KAIC)
Optional Output Protection: Internal electronic overload protection. Circuit breaker provides inherent over-load protection. Factory selectable voltage 120, 208, 240, or 277 for input or output voltages. If input is different from output or output different from input, an internally mounted transformer is required.

Efficiency: 90% typical
Isolation: Complete from line. Output neutral bonded to ground
Noise Isolation: -120 dB Common-Mode; -60 dB Transverse-Mode
Battery: Sealed maintenance-free (AGM) battery
Recharge Time: Conforms to UL standards
External Battery: Provisions for hardwire connection of optional external battery cabinets or DC source.
Humidity: 0 - 95% RH w/ no condensation
Operating Temperature:
 UPS: 0° to 40°C. (32° - 104°F)
 Battery: 20° to 25°C. (68°-77°F)
Storage Temperature: -20° to 60°C. (-4° - 140°F) electronics only.
Altitude: Up to 10,000 ft
Safety Agencies: Listed to UL1778, UL924 Lighting standards, and UL924A UPS standards by CSA
Cabinet Size:
 Cab "B": 39"W x 48"H x 18"D
 Cab "C": 39"W x 68"H x 18"D

ORDERING INFORMATION

KW	Input/Output Voltages	Model Numbers	DC Volts	BTU/ Hr	Cabinet Size UPS (Battery) (W x H x D)	Weights (lbs)	
						UPS	BATT.
3.0	120/120	PS3.0A0100N1	96	1227	39" x 48" x 18"	996	N/A
	208/208	PS3.0B1300N1		1227		996	
	240/240	PS3.0D0400N1		1227		996	
	277/277	PS3.0R2500N1		1227		996	
	120, 208, 240, 277	**PS3.0X5800T1		1433		1066	
5.0	120/120	PS5.0A0100N1	120	1875	39" x 68" x 18"	1214	N/A
	208/208	PS5.0B1300N1		1875		1214	
	240/240	PS5.0D0400N1		1875		1214	
	277/277	PS5.0R2500N1		1875		1214	
	120, 208, 240, 277	**PS5.0X5800T1		2047		1284	
7.5	208/208	PS7.5B1300N1	120	2819	39" x 68" x 18" (39" x 68" x 18")	1224	966
	240/240	PS7.5D0400N1		2819		1224	
	277/277	PS7.5R2500N1		2819		1224	
	208, 240, 277	**PS7.5X5800T1		3070		1384	
10	208/208	PS010B1300N1	192	3755	39" x 68" x 18" (39" x 68" x 18")	1289	1406
	240/240	PS010D0400N1		3755		1289	
	277/277	PS010R2500N1		3755		1289	
	208, 240, 277	**PS010X5800T1		4094		1464	
12.5	208/208	PS012B1300N1	192	4696	39" x 68" x 18" (39" x 68" x 18")	1959	1598
	240/240	PS012D0400N1		4696		1959	
	277/277	PS012R2500N1		4696		1959	
	208, 240, 277	**PS012X5800T1		5118		2179	
15	208/208	PS015B1300N1	240	5608	39" x 68" x 18" (39" x 68" x 18")	1999	2173
	240/240	PS015D0400N1		5608		1999	
	277/277	PS015R2500N1		5608		1999	
	208, 240, 277	**PS015X5800T1		6141		2339	

** Input Voltage "X": A=120 (3 & 5 KVA only), B=208, R=277 VAC Output Voltage "58": 120, 208, 240, and 277 VAC
 All units are 90 minutes Battery Back-up time @ full load, consult factory for longer back-up times (up to 6 hours).

OPTIONS

- Secondary Auxillary Circuit Breakers: Normally On, Normally Off, Normally Off w/ Delay, Trip Alarm
- Form 'C' Contacts (5) (N.o.)
- Secondary Normally On/Off Terminal Block selection
- Remote Status Panel Unit with Audible Alarm and Silence Switch
- Local Audible Alarm with Silence Switch
- Make Before Break Internal Maintenance Bypass Switch
- External Maintenance Bypass Switch (wrap around type)
- Main Input and/or Output Circuit Breaker (with custom KAIC)
- Built-in Secondary Distribution
- Input Transient Voltage Surge Suppressor (TVSS)
- Harmonic Tolerance (up to K-50)
- EMI Filter
- Stackable Cabinet Rack to save floor space
- Certified Zone 4 Seismic Brkt
- Extended Warranty and Service Plans
- Spare Part Kits Available
- Global Monitoring System
- LOCAL
 - Local PC via RS232 & RS485
- Event Logging up to 500
- REMOTE
 - Dial-up
 - Voice (10 event logging), numeric pager
 - Voice, data, fax, pager, PC, e-mail, event logging up to 500
- Web/SNMP: System status, measurement, alarm notification, event logging, and password protection

Specifications are subject to change without notice

SONORAN *HOSTILE ENVIRONMENT SINGLE PHASE UPS, 2.1 TO 14KW*



INPUT SPECIFICATIONS

Nominal Input Voltage 120, or 208, or 240, or 277 VAC Single Phase
 Input Voltage Range +20% to -35%
 Input Frequency..... 60 Hz +5%
 Overcurrent Protection Circuit Breaker
 Power Connection Hard Wired (terminal block)
 Input Configuration 2 wire (hot, neutral) Plus Ground

OUTPUT SPECIFICATION

Output Rating 2.1, 3.5, 5.25, 7, 10.5, 14 KW (Normal Mode/Emergency Mode)
 Voltage..... 120/240, 277 VAC, Single Phase
 Voltage Regulation+3% No Load to Full Load; +3% High Line to Low Line
 Frequency..... 60 Hz +0.25 Hz (When on Inverter)
 Waveshape..... Sine Wave
 Harmonic Distortion..... <7% THD; <5% Single Harmonic
 Crest Factor.....Up to 3 to 1
 Overload..... 125% for Ten (10) Minutes; 150% Surge
 Protection Fault Current Limited by Ferroresonant Design
 Noise Rejection -120 dB Common Mode; -60 dB Normal Mode
 Operating Temp..... (Electronics Only)Tested for -29°F.(-34°C) to 136°F.(58°C)

PHYSICAL SPECIFICATIONS

Accessibility All Servicing is Through the Front.
 Cable Entry.....Bottom
 Mounting..... Four (4) Mounting Holes Provided to Anchor Enclosure to Pedestal

BATTERY SPECIFICATIONS

Battery Run Time..... 90 min
 Battery TypeSealed, Maintenance-Free, Lead calcium
 Nominal DC Link.....48 or 120 VDC link
 Overcurrent Protection Circuit Breaker

The Sonoran is specifically designed for outdoor locations and hostile environments. Several years in the field have proven the Sonoran to operate efficiently in extreme temperatures, harsh weather conditions, and withstand physical abuse and vandalism. Unique in the market, the Sonoran is the only outdoor central lighting inverter listed to UL924 and UL1778 UPS standards.

ORDERING INFORMATION

KW	Model Numbers	Input	Output	Weight (lbs)	BTUs/Hr	Size W x H x D
2.1	S3.0A01TLF1-96	120	120, 208, 240, 277	967	1137	(1) 39" x 70" x 17"
3.5	S5.0A01TLF1-96	120	120, 208, 240, 277	1235	2047	(1) 39" x 70" x 17"
5.25	S7.5A01TLF1-96	208, 240, 277	120, 208, 240, 277	1850	3033	(2) 39" x 70" x 17"
7	S010A01TLF1-96	208, 240, 277	120, 208, 240, 277	2637	3594	(2) 39" x 70" x 17"
10.5	S12.5A01TLF1-96	208, 240, 277	120, 208, 240, 277	3517	4194	(3) 39" x 70" x 17"
14	S020A01TLF1-96	208, 240, 277	120, 208, 240, 277	3750	7188	(3) 39" x 70" x 17"

Normally On and Normally Off Circuits are available at an additional cost. Please consult factory.

OPTIONS

- Battery Heating Pad
- Extended Warranty and Service Plans
- Lifting Eyes NEMA 3R and 4X
- Monitoring via RS232 and RS485
- Duplex 120V Receptacle for Service
- Make before break Maintenance Bypass Switch and Electronic Maintenance Bypass Switch
- TVSS for 208/240 and 277V
- Secondary Auxiliary Output Circuit Breakers (Main or max. 10 total)
- Spare Part Kits Available
- Run time Up to 13 Hours
- High Isolation Transformer with Harmonic Reduction (up to K-50)
- Heater Strip with Thermostat Control
- (5) Form "C" Contacts Alarms
- Output Distribution Limit
- Stainless Steel, Zinc Anodized Aluminum Cabinets
- Global Monitoring System
 - LOCAL
 - Local PC via RS232 and RS485
 - Event logging up to 500
 - REMOTE
 - Dial-up
 - Voice (10 event logging), numeric pager
 - Voice, data, fax, pager, PC, email, event logging up to 500
 - Voice, data, fax, pager, PC, email, and measurement (500 event logging plus graphic)
 - Web/SNMP:
 - System status, measurement, alarm notification, event logging and password protected configuration.

Specifications are subject to change without notice



SEDONA THREE PHASE UPS, 8 TO 50KW

SPECIFICATIONS

Power Rating: 8, 12, 16, 20, 24, 32, 40 and 50 KW

Input Voltage:

208Y/120 or 480Y/277 VAC (-20% to +15%)

Output Voltages: 208Y/120 or 480Y/277 VAC

Output Freq. (Inverter Operation): 60 Hz ±0.5 Hz

Voltage Regulation: ±3%, Regulated within CBEMA curve

Output Wave Form: Sine-Wave <5% THD

Crest Factor: 3:1 typical

Surge Protection (optional): The UPS will protect itself and the load against surges as defined in ANSI/IEEE C62.41 Categories A and B

Isolation: Complete from line. Output neutral bonded to ground

Noise Isolation: -120 dB Common-Mode; -60 dB Transverse-Mode

Battery: Sealed maintenance-free (AGM) battery

Recharge Time: Conforms to UL Standards

External Battery: Provisions for hardwire connection of optional external battery cabinets or DC source.

Humidity: 0 - 95% RH w/ no condensation

Operating Temperature:

UPS: 0° to 40°C. (32° - 104°F)

Battery: 20° to 25°C. (68°-77°F)

Storage Temperature: -20° to 60°C. (-4° - 140°F) electronics only.

Altitude: Up to 10,000 ft

Safety Agencies: Listed to UL1778, UL924 Lighting Standards, and UL924A UPS standards by CSA

Inverter Cabinet Sizes:

39"W x 18"H x 68"D

Battery Cabinet Sizes:

39"W x 18"H x 68"D



ORDERING INFORMATION

KW	Input/Output Voltages	KVA Model Numbers	DC Volts	BTU/ Hr	Weights (lbs)	
					Inverter Cabinet	Battery
8	208Y/120 - 208Y/120 480Y/277 - 480Y/277 480Y/277 - 208Y/120	S010B0500T3-VA S010H0900T3-VA S010H0500T3-VA	192	3032	(1 Cabinet) 1083 lbs	(1 Cabinet) 1612 lbs
12	208Y/120 - 208Y/120 480Y/277 - 480Y/277 480Y/277 - 208Y/120	S015B0500T3-VA S015H0900T3-VA S015H0500T3-VA	192	4549	(1 Cabinet) 1446 lbs	(2 Cabinets) 2 x 1612 lbs
16	208Y/120 - 208Y/120 480Y/277 - 480Y/277 480Y/277 - 208Y/120	S020B0500T3-VA S020H0900T3-VA S020H0500T3-VA	192	6066	(1 Cabinet) 1679 lbs	(2 Cabinets) 2 x 1780 lbs
20	208Y/120 - 208Y/120 480Y/277 - 480Y/277 480Y/277 - 208Y/120	S025B0500T3-VA S025H0900T3-VA S025H0500T3-VA	192	7582	(1 Cabinet) 1679 lbs	(2 Cabinets) 2 x 2284 lbs
24	208Y/120 - 208Y/120 480Y/277 - 480Y/277 480Y/277 - 208Y/120	S030B0500T3-VA S030H0900T3-VA S030H0500T3-VA	288	9098	(1 Cabinet) 1719 lbs	(3 Cabinets) 3 x 2284 lbs
32	208Y/120 - 208Y/120 480Y/277 - 480Y/277 480Y/277 - 208Y/120	S040B0500T3-VA S040H0900T3-VA S040H0500T3-VA	312	12131	(1 Cabinet) 2066 lbs	*(3 Cabinets) 3 x 2284 lbs *(4 Cabinets) 3 x 2284 lbs 1 x 748 lbs
40	208Y/120 - 208Y/120 480Y/277 - 480Y/277 480Y/277 - 208Y/120	S050B0500T3-VA S050H0900T3-VA S050H0500T3-VA	552	15164	(1 Cabinet) 2463 lbs	(4 Cabinets) 3 x 2284 lbs 1 x 1948 lbs
50	208Y/120 - 208Y/120 480Y/277 - 480Y/277 480Y/277 - 208Y/120	S062B0500T3-VA S062H0900T3-VA S062H0500T3-VA	552	18000	(1 Cabinet) 2565 lbs	(4 Cabinets) 3 x 2284 lbs 1 x 2270 lbs

60 KW is available - contact factory
 * 3 Cabinets with 10" Hutch OR 3 Cabinets plus one 48" Cabinet.
 All units are 90 minutes Battery Back-up time @ full load, consult factory for longer back-up times

OPTIONS

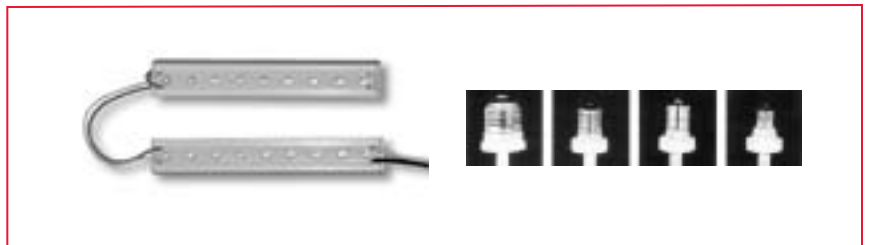
- Secondary Auxillary Circuit Breakers: Normally On, Normally Off, Normally Off w/ Delay, Trip Alarm
- Form 'C' Contacts (5) (N.o.)
- Secondary Normally On/Off Terminal Block selection
- Remote Status Panel Unit with Audible Alarm and Silence Switch
- Local Audible Alarm with Silence Switch
- Input Current Harmonic Filter, 10% & 5% (This option will not be offered with Secondary Auxillary Circuit Breakers)
- External Maintenance Bypass Switch (wrap around type)
- Main Input and/or Output Circuit Breaker (with custom KAIC)
- Built-in Secondary Distribution
- External Attachable Panelboard (30-42 poles)
- Input Transient Voltage Surge Suppressor (TVSS)
- Harmonic Tolerance (up to K-50)
- EMI Filter
- Stackable Cabinet Rack to save floor space
- Certified Zone 4 Seismic Brkt
- Extended Warranty and Service Plans
- Spare Part Kits Available
- Global Monitoring System
- LOCAL
 - Local PC via RS232 & RS485
- REMOTE
 - Event Logging up to 500
 - Dial-up
 - Voice (10 event logging), numeric pager
 - Voice, data, fax, pager, PC, e-mail, event logging up to 500
- Web/SNMP: System status, measurement, alarm notification, event logging, and password protection

Specifications are subject to change without notice

RT1 LED RETRO-FIT KIT

FEATURES

- Up to 97% energy savings
- 120 or 277 volt
- Direct wire or socket ready
- High intensity red, green or white LEDs
- Bright, uniform illumination
- Maintenance-free
- Retrofit lens kit available separately (RLKIT or GRLKIT)



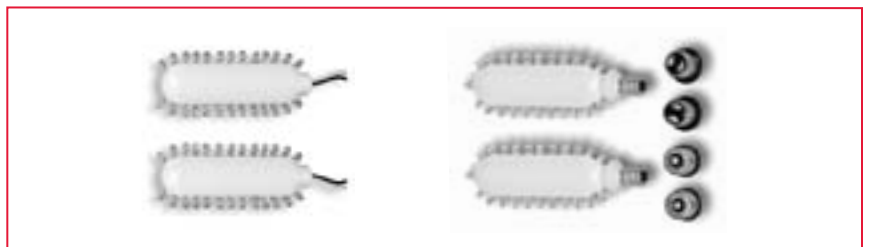
ORDERING INFORMATION

RT1	-	A	-	S	-	B
SERIES		VOLTAGE		CONNECTION		SOCKET BASE
RT1 = Red GRT1 = Green WRT1 = White		A = 120 Volt V = 277 Volt* * Direct Wire Only		D = Direct Wire S = Socket Ready* * 120 volt only		B = Bayonet C = Candelabra I = Intermediate M = Medium

RT2 LED RETRO-FIT KIT

FEATURES

- 2 LED retrofit bulbs with candelabra base and each intermediate and bayonet adapters included in each package
- 120 volt only
- Only 1.2 watts per bulb
- Uniform letter illumination (no hot spots)
- Non-breakable housing
- Red 51/8"H x 15/8"W Green 41/2"H x 15/8"W
- Add 1/8" to height when using adapter



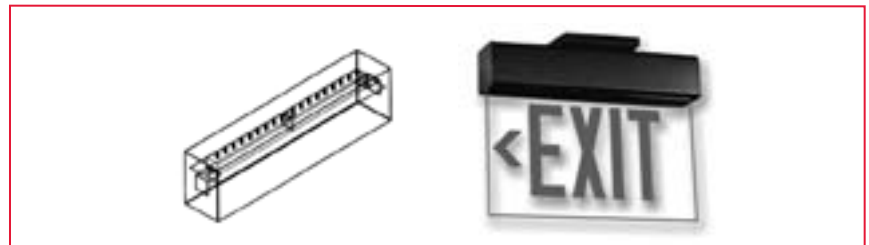
ORDERING INFORMATION

GRT2	-	A	-	D
SERIES		VOLTAGE		BASE
RT2 = Red GRT2 = Green		A = 120 Volt		S = Socket D = Direct Wire

LEDGE EDGE-LIT RETRO-FIT KIT

FEATURES

- Retrofit any fluorescent edge-lit exit sign, contact us for manufacturers not shown
- Bright, uniform illumination
- Universal design converts single or double face sign
- Direct wire into existing AC line
- 120 or 277 volt available
- Up to 97% in energy savings



ORDERING INFORMATION

LEDGE	-	R	-	A	-	D	-	6
SERIES		LED COLOR		VOLTAGE		BASE		BASE
LEDGE		R = Red G = Green W = White		A = 120 Volt V = 277 Volt		D = Direct Wire		

WARRANTY FOR ALL RETRO-FIT KITS

Any component that fails due to manufacturer's defect is guaranteed for 1 year. Warranty does not apply to damages caused by improper installation, abuse, fire or acts of God. Manufacturer reserves the right to charge for such repairs if deemed necessary.

- | | |
|-------------------|---------------------|
| 1 = Lithonia | 6 = McPhilben |
| 2 = Prescolite | 7 = Alkco Lighting |
| 3 = Emergilite | 8 = Big Beam/Marco |
| 4 = Cole Lighting | 9 = Sure-Lites |
| 5 = Light Alarms | 10 = Radiant Design |



VR 1 OR 2 LAMP DECORATIVE REMOTE LAMP



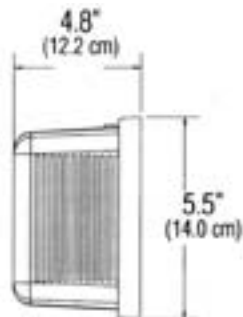
VR1



VR2

The VR Series Remote Head blends seamlessly with existing interiors and can be remoted from any standard emergency lighting unit. It is designed to complement the Exitronix 6 volt VEX Series exit signs or 6 and 12 volt emergency lighting units.

DIMENSIONS



FEATURES

- Blends seamlessly with existing interiors
- Can be powered remotely from any standard emergency lighting unit
- Choice of tungsten or halogen high performance lamps between 6 and 20 watts
- The VR Series remote emergency head utilizes a lamp reflector system that can be adjusted 180° horizontally and vertically to direct light exactly where it is needed
- Constructed of high impact thermoplastic
- Backplate has matching knockouts for easy installation to junction boxes
- Available with a form-fitted gasket for outdoor applications.

CONFORMANCE TO CODES & STANDARDS

The VR Series is E.T.L. Listed and meets or exceeds the following: U.L. 924, N.E.C. requirements and N.F.P.A. 101.

WARRANTY

Any component that fails due to manufacturer's defect is guaranteed for 1 year. The warranty does not cover physical damage, abuse or acts of God. Manufacturer reserves the right to charge for such repairs if deemed necessary.

ORDERING INFORMATION

VR	V1T	W	D	
SERIES	LAMP WATTAGE/VOLTAGE	BACKPLATE FINISH	OPTIONS	
VR = One Lamp VR2 = Two Lamps	6V, TUNGSTEN T-5 WEDGE BASE V1T = 6.0 Watt V2T = 7.0 Watt V3T = 9.0 Watt 6V, HALOGEN T-21/4 WEDGE BASE V1H = 7.0 Watt V2H = 10 Watt V3H = 12 Watt 2 LAMP HEADS 6V, HALOGEN MR11 STYLE V10H = 5.0 Watt <i>*only available with VR2</i>	12V², TUNGSTEN T-5 WEDGE BASE V4T = 9 Watt V5T = 12 Watt V6T = 18 Watt 12V², HALOGEN T-21/4 WEDGE BASE V4H = 12 Watt 12V³, HALOGEN MR16 STYLE3 V5H = 20 Watt	W = White B = Black	D = Gasket for outdoor use ¹

Notes:

1. A form fitted gasket is supplied to be installed between the luminaire and junction box to protect against water entry. This product is not recommended for use in areas where high wind, or high pressure spray washdown could occur.

2. 12 volt remotes are available only in conjunction with 12 volt emergency lighting units and are not adaptable for use with exit signs.

3. Halogen 20 watt, 12VDC lamp is an MR16 style. The standard 20 watt MR16 lamp incorporates a (NSP-15) narrow spot, 15 degree beam pattern.

Specifications are subject to change without notice

TRITON REMOTE INDOOR/OUTDOOR

FEATURES

- Contemporary, low-profile, streamlined design
- Suitable for Damp or Wet Locations
- 2 x 6V 6W Xenon lamps for emergency mode
- Durable die-cast aluminum housing
- UV stable polycarbonate lens
- Mirrored reflector for enhanced light output
- UL94-5VA flame rating on polycarbonate components
- Wall mounted
- Quick connect mounting back plate

REMOTE OPERATION

The Triton remote can be run off any standard emergency lighting unit supplying 6 volts and at least 12 watts of remote power.

Note: Triton emergency lights are not equipped to run remote units.

CONFORMANCE TO CODES & STANDARDS

The TRITON REMOTE Series is E.T.L. Listed and meets or exceeds the following: U.L. 924, N.E.C. requirements and N.F.P.A. 101.

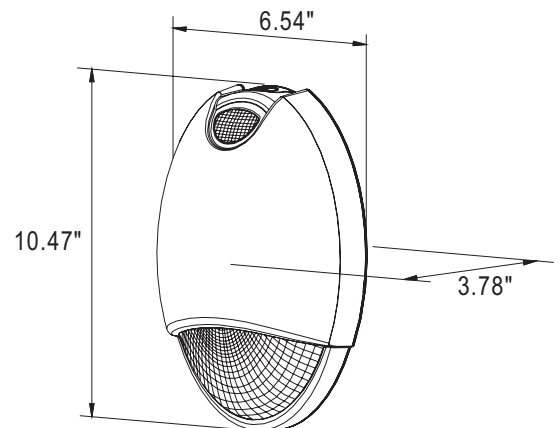
WARRANTY

Any component that fails due to manufacturer's defect is guaranteed for 5 years. The warranty does not cover physical damage, abuse or acts of God. Manufacturer reserves the right to charge for such repairs if deemed necessary.



The Triton Remote is ideal for applications where low-profile, architectural emergency egress lighting is required. Contemporary design and durable die-cast aluminum construction provide attractive, reliable remote lighting that blends seamlessly into any exterior or interior design. Perfect for damp, wet, or cold environments.

DIMENSIONS



ORDERING INFORMATION

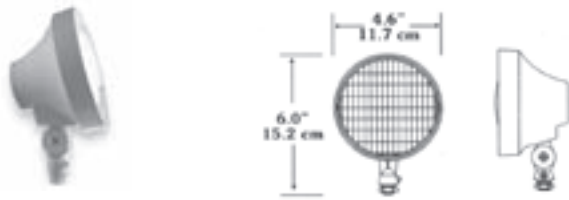
TR	-	RM	-	BL
SERIES		STYLE		HOUSING FINISH
TR = Triton		RM = Remote Unit Only* *Does not include battery or charging circuit, requires separate 6 volt power supply, Not available with any other options.		WH = White BL = Black BR = Dark Bronze

Specifications are subject to change without notice

REMOTE LAMP HEADS

INDOOR THERMOPLASTIC WEDGE BASE & BI-PIN ROUND

- Constructed of impact resistant, UL 94 V-0 thermoplastic



T SERIES	VOLTAGE	WATTAGE	CATALOG NO.		
			THERMOPLASTIC		
			WHITE	BLACK	TAN
TUNGSTEN	6 VOLT	7	T0607W	T0607B	T0607T
		9	T0609W	T0609B	T0609T
	12 VOLT	9	T1209W	T1209B	T1209T
		12 18	T1212W T1218W	T1212B T1218B	T1212T T1218T
HALOGEN	6 VOLT	8	T06H08W	T06H08B	T06H08T
		10	T06H10W	T06H10B	T06H10T
		12	T06H12W	T06H12B	T06H12T
	12 VOLT	12	T12H12W	T12H12B	T12H12T

INDOOR THERMOPLASTIC WEDGE BASE RECTANGULAR

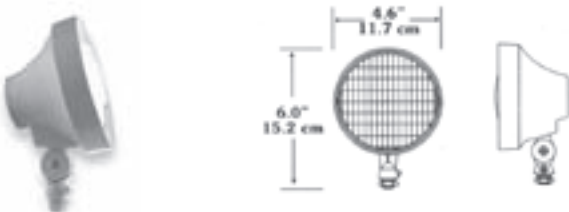
- Constructed of impact resistant, UL 94 V-0 thermoplastic



P SERIES	VOLTAGE	WATTAGE	CATALOG NO.		
			POLYCARBONATE		
			WHITE	BLACK	TAN
TUNGSTEN	6 VOLT	7	P0607W	P0607B	P0607T
		9	P0609W	P0609B	P0609T
	12 VOLT	9	P1209W	P1209B	P1209T
		12 18	P1212W P1218W	P1212B P1218B	P1212T P1218T

INDOOR THERMOPLASTIC SEALED BEAM PAR 36

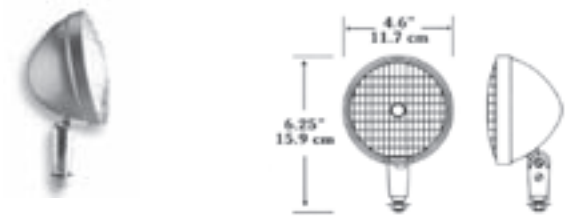
- Constructed of impact resistant, UL 94 V-0 thermoplastic



R SERIES	VOLTAGE	WATTAGE	CATALOG NO.		
			THERMOPLASTIC		
			WHITE	BLACK	TAN
TUNGSTEN	6 VOLT	8	R0608W	R0608B	R0608T
		18	R0618W	R0618B	R0618T
		20	R0620W	R0620B	R0620T
		25	R0625W	R0625B	R0625T
	12 VOLT	12	R1212W	R1212B	R1212T
		18 25	R1218W R1225W	R1218B R1225B	R1218T R1225T
HALOGEN	6 VOLT	8	R06H08W	R06H08B	R06H08T
		12	R06H12W	R06H12B	R06H12T
	12 VOLT	8	R12H08W	R12H08B	R12H08T
		12	R12H12W	R12H12B	R12H12T
		25	R12H25W	R12H25B	R12H25T

INDOOR METAL/CHROME SEALED BEAM PAR 36

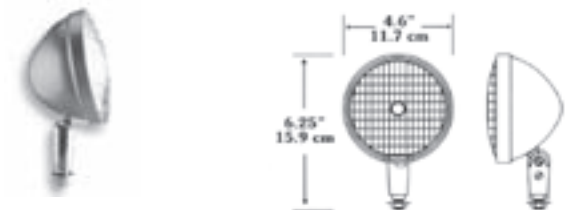
- Constructed of impact resistant, chrome plated or powder coated steel



S SERIES	VOLTAGE	WATTAGE	CATALOG NO.		
			METAL & CHROME		
			WHITE	BLACK	CHROME
TUNGSTEN	6 VOLT	8	S0608W	S0608B	S0608M
		18	S0618W	S0618B	S0618M
		20	S0620W	S0620B	S0620M
		25	S0625W	S0625B	S0625M
		30	S0630W	S0630B	S0630M
	12 VOLT	12	S1212W	S1212B	S1212M
		18	S1218W	S1218B	S1218M
		25	S1225W	S1225B	S1225M
		30	S1230W	S1230B	S1230M
		HALOGEN	6 VOLT	8	S06H08W
12	S06H12W			S06H12B	S06H12M
12 VOLT	8		S12H08W	S12H08B	S12H08M
	12		S12H12W	S12H12B	S12H12M
	25		S12H25W	S12H25B	S12H25M
	35		S12H35W	S12H35B	S12H35M
	50		S12H50W	S12H50B	S12H50M

INDOOR METAL/CHROME WEDGE BASE & BI-PIN ROUND

- Constructed of chrome plated or powder coated steel



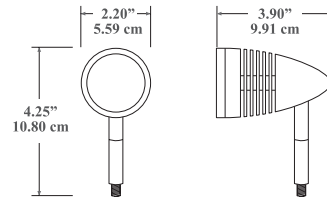
D SERIES	VOLTAGE	WATTAGE	CATALOG NO.		
			METAL & CHROME		
			WHITE	BLACK	CHROME
TUNGSTEN	6 VOLT	7	D0607W	D0607B	D0607M
		9	D0609W	D0609B	D0609M
	12 VOLT	9	D1209W	D1209B	D1209M
		12 18	D1212W D1218W	D1212B D1218B	D1212M D1218M
HALOGEN	6 VOLT	8	D06H08W	D06H07B	D06H07M
		10	D06H10W	D06H10B	D06H10M
		12	D06H12W	D06H12B	D06H12M
	12 VOLT	12	D12H12W	D12H12B	D12H12M

REMOTE LAMPS

M SERIES	VOLTAGE	WATTAGE	CATALOG NO.	
			STEEL	
			WHITE	BLACK
	12 VOLT	10	M1210W	M1210B
		12	M1212W	M1212B
		20	M1220W	M1220B
		35	M1235W	M1235B
	24 VOLT	20	M24H20W	M24H20B
		35	M24H35W	M24H35B
		50	M24H50W	M24H50B

INDOOR STEEL MR-16 REMOTE LAMP

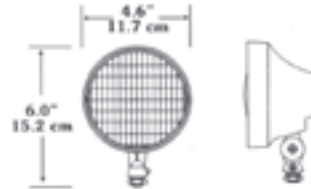
- Contemporary design
- MR-16 technology for premium light output



J SERIES	VOLTAGE	WATTAGE	CATALOG NO.		
			THERMOPLASTIC		
			WHITE	BLACK	GRAY
TUNGSTEN	6 VOLT	7	J0607W	J0607B	J0607G
		9	J1209W	J1209B	J1209G
	12 VOLT	12	J1212W	J1212B	J1212G
HALOGEN	6 VOLT	8	J06H08W	J06H08B	J06H08G
		10	J06H10W	J06H10B	J06H10G
	12 VOLT	12	J06H12W	J06H12B	J06H12G
		12	J12H12W	J12H12B	J12H12G

WET LOCATION THERMOPLASTIC WEDGE BASE & BI-PIN ROUND

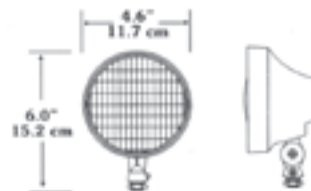
- Constructed of impact resistant, UL 94 V-0 thermoplastic
- Lamp heads are fully gasketed



Z SERIES	VOLTAGE	WATTAGE	CATALOG NO.		
			NEMA RATED		
			WHITE	BLACK	GRAY
TUNGSTEN	6 VOLT	8	Z0608W	Z0608B	Z0608G
		18	Z0618W	Z0618B	Z0618G
		20	Z0620W	Z0620B	Z0620G
		25	Z0625W	Z0625B	Z0625G
	12 VOLT	12	Z1212W	Z1212B	Z1212G
HALOGEN	6 VOLT	8	Z06H08W	Z06H08B	Z06H08G
		12	Z06H12W	Z06H12B	Z06H12G
	12 VOLT	8	Z12H08W	Z12H08B	Z12H08G
		12	Z12H12W	Z12H12B	Z12H12G
		25	Z12H25W	Z12H25B	Z12H25G

NEMA RATED, WET LOCATION INDUSTRIAL POLYCARBONATE SEALED BEAM PAR 36

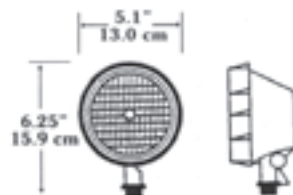
- Available for NEMA Rated applications
- Lamp heads are fully gasketed



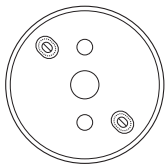
K SERIES	VOLTAGE	WATTAGE	CATALOG NO.
			CLASS I DIV 2
			GRAY
TUNGSTEN	6 VOLT	8	K0608G
		18	K0618G
		25	K0625G
		30	K0630G
	12 VOLT	12	K1212G
HALOGEN	6 VOLT	8	K06H08G
		12	K06H12G
	12 VOLT	8	K12H08G
		12	K12H12G
		12	K12H25G

CLASS I DIV 2 INDUSTRIAL POLYCARBONATE SEALED BEAM PAR 36

- Available for Class 1, Division 2 applications
- Optional shatterproof lens for food service applications
- Lamp heads are fully gasketed

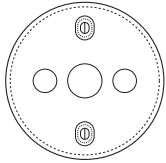
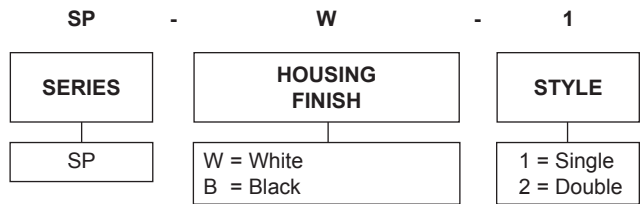


REMOTE LAMP MOUNTING PLATES



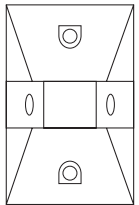
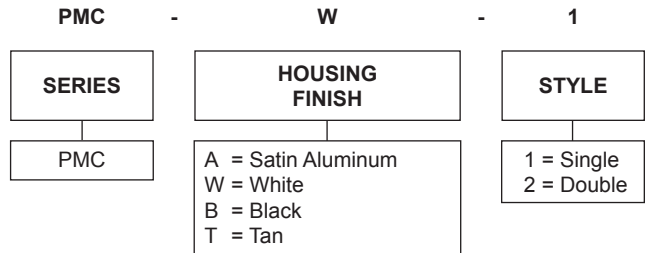
STEEL MOUNTING PLATE AVAILABLE IN WHITE OR BLACK

- For Steel MR-16 remote lamp heads
- For M Series remote lamps only



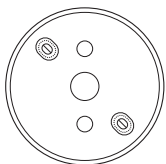
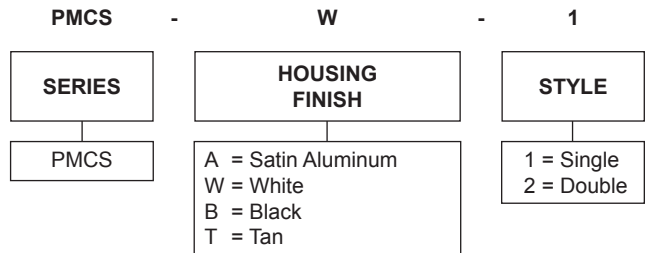
CAST ALUMINUM WEATHERPROOF MOUNTING PLATE AVAILABLE IN GRAY, WHITE, BLACK OR TAN

- For Wet Location / Class I DIV 2 remote lamp heads
- Includes weatherproof gasket
- For T, P, R, Z and J Series remote lamps only



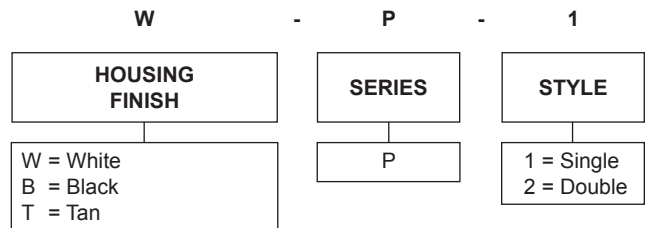
CAST ALUMINUM WEATHERPROOF MOUNTING PLATE AVAILABLE IN GRAY, WHITE, BLACK OR TAN

- For Wet Location / Class I DIV 2 remote lamp heads
- Includes weatherproof gasket
- For use with K Series remote lamps only



THERMOPLASTIC 5" DIAMETER MOUNTING PLATE AVAILABLE IN BLACK, WHITE AND TAN

- For ThermoPlastic remote lamp heads
- For use with T, P and R series remote lamps only



SHOWN:
Mounting Plate: WP2
Lamp Head: P0607W



SHOWN:
Mounting Plate: PMCA2
Lamp Head: S0608M

Specifications are subject to change without notice

REMOTE LAMP ASSEMBLIES

RDG-R RECESSED ADJUSTABLE GIMBAL RING

- Constructed of rugged steel in neutral cream finish
- Mounting plate allows fast, easy installation in suspended T-grid or drywall ceilings
- 6 volt 7.2 watt lamps
- Adjustable, glare-free lighting head



Mounting Plate & Trim: included
Lamp Head: RDG-R

L1D THERMOPLASTIC WEDGE BASE SQUARE

- Constructed of impact resistant, UL 94 V-0 thermoplastic
- White or black with matching mounting plate included
- Add "2" prefix for double head mounting plates

Part No.	Volts	Watts	Type
L1D	6V	5.4W	Tungsten
L2D	6V	7.2W	Tungsten
L3D	6V	9W	Tungsten
L4D	12V	7.2W	Tungsten
L5D	12V	12W	Tungsten



Mounting Plate: included
Lamp Head: L1D



Mounting Plate: included
Lamp Head: 2L1D

L1H THERMOPLASTIC BI-PIN HALOGEN HEAD

- Constructed of impact resistant, UL 94 V-0 thermoplastic
- White or black with matching mounting plate included
- 6 volt, 5 watt bi-pin halogen lamps
- Add "2" prefix for double head mounting plates



Mounting Plate: included
Lamp Head: L1H



Mounting Plate: included
Lamp Head: 2L1H

Z1P-B THERMOPLASTIC WET LOCATION RATED

- NEMA 4X rated sealed beam PAR 36
- Constructed of gray polycarbonate
- Lamp heads are fully gasketed
- Add "2" prefix for double head mounting plates

Part No.	Volts	Watts	Type	Color
Z1P-B	6V	7.2W	Tungsten	Gray
Z5P-B	12V	12W	Tungsten	Gray
Z14B-MP	6V	9W	Tungsten	Black
Z15B-MP	12V	12W	Tungsten	Black



Mounting Plate: included
Lamp Head: Z1P-B



Mounting Plate: included
Lamp Head: 2Z1P

Specifications are subject to change without notice

**VANDAL RESISTANT WIRE GUARDS**

Guard your Exitronix emergency lighting against accidental or intentional abuse. Ideal for high traffic areas such as schools, gymnasiums, parking garages, warehouses, and public areas.

- Adjustable mounting tabs
- Durable wire-mesh construction
- Corrosion resistant
- Protects emergency lighting equipment
- Available in wall, ceiling, or end-mount configurations
- Many styles to fit a wide variety of Exitronix emergency lighting equipment

ORDERING INFORMATION

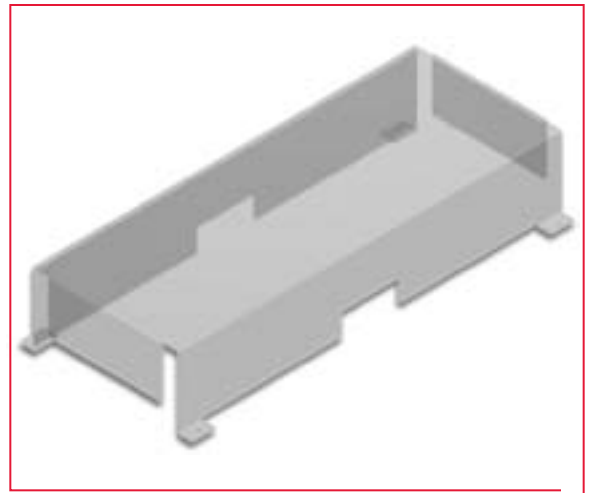
Catalog	Product Description	Width	Height	Depth
WG-1	Back Mount: Single Face 402 Series, 400U Series, 402D Series, 502 Series, 602 Series, 702 Series, VEX Steel and Plastic Exit, ILX Series, Exi-Glow, and PXP Series, LL50H, LL60	15"	12.75"	4"
WG-2	End Mount: Single and Double face 400 Series, 400D Series, 400U Series, 500 Series, 600 Series, 700 Series, VEX Steel and Plastic Exit, ILX Series, Exi-Glow, and PXP Series	16.25"	10.5"	6.5"
WG-3	Ceiling Mount: Single and Double face 400 Series, 400D Series, 400U Series, 500 Series, 600 Series, 700 Series, VEX Steel and Plastic Exit, ILX Series	14.75"	12"	6.5"
WG-5	Back Mount Combination Units w/Side Mounted Lamps: Single Face 502 Series, 602 Series, 702 Series, 400C Series, and VEX-EL90	30"	14"	6.5"
WG-6	Back Mount New York Exits and Combination Units w/Top Mounted Lamps: Single Face NY1 Series, 400U-8 Series, VEX-8 Series Exits, and 502 Series, 602 Series, 702 Series, VEX-EL55H Combination Units, and LRP6/12-18-54 Watts, LL6 18-36 Watts, and RS6 18-36 Watts Emergency Units	17"	13.5"	5"
WG-7	Oversized Backmount: RP Series, LL6/12 Top or Side Mount Heads, RS6/12 Top or Side Mount Heads, RP Series Top or Side Mount Heads, and CSX Series	32"	16"	8"
WG-90	LL30, LL50H, LL60, LL90 and LL90R	15.25"	11"	6"
WG-A	LL6/12 Series, RS6/12 Series, WNX Series	28.5"	24.75"	10"

Specifications are subject to change without notice

VANDAL RESISTANT POLYCARBONATE GUARDS

Guard your Exitronix emergency lighting against accidental or intentional abuse. Ideal for high traffic areas such as schools, gymnasiums, parking garages, warehouses, and public areas.

- Impact-resistant polycarbonate construction
- Corrosion resistant
- Protects emergency lighting equipment
- Available in wall, ceiling, or end-mount configurations
- Many styles to fit a wide variety of Exitronix emergency lighting equipment



ORDERING INFORMATION

Catalog	Product Description	Width	Height	Depth
XG-1	Back Mount: LL60, 400 Series, 400U Series, 400D Series, 500 Series, 600 Series, 700 Series, VEX Steel and Plastic Exit Series, ILX Series	14.25"	9.25"	3.5"
XG-3	Ceiling Mount: Single and Double Face 400 Series, 400U Series, 400D Series, 500 Series, 600 Series, 700 Series, VEX Steel and Plastic Exit Series, ILX Series	14"	11.25"	5.25"
XG-4	Ceiling Mount Combination Units w/Side Mounted Lamps: Single and Double Face 500 Series, 600 Series, 700 Series	23.5"	10.75"	6"
XG-5	Back Mount Combination Units w/Side Mounted Lamps: Single Face 500 Series, 600 Series, and 700 Series	26"	10.5"	4.75"
XG-6	Back Mount Combination Units w/Top Mounted Lamps: Single Face 400C Series, 500 Series, 600 Series, 700 Series, NY1 Series, 400U-8 Series, VEX-8 Series, CSX Exit Series, VEX-EL55H Series, NAV Series, LL6/12 Series, RS6/12 18-150 Watts, LRP Series	18.25"	14"	6.5"
XG-90	Back Mount: LL90, LL90HW Plastic, LL50H	18.12"	7.75"	7.75"
XG-EL90	Back Mount: VEX-EL90 Combination Unit w/Side Mounted Lamps	30.25"	15.25"	6.5"
PS	Back Mount: RP6 Series, RP12 Series	19.4"	12.3"	9"

SHELVES STEEL MOUNTING SHELVES

Quickly and easily secure your emergency lighting using these sturdy shelves.

- Corrosion resistant
- Protects emergency lighting equipment
- Many styles to fit a wide variety of Exitronix emergency lighting equipment



ORDERING INFORMATION

White	Tan	For Use With:	Length	Width	Height
RJSH-W	RJSH-T	RS6/RS12 (75-100W), RS12N (Except RS12N-100)	13.5"	5.5"	6.0"
RLSH-W	RLSH-T	RS6/RS12	14.6"	5.5"	3.5"
RSSH-W	RSSH-T	RP6/RP12	14.6"	5.5"	5.3"
RXSH-W	RXSH-T	RS6-125, RS12 (150-250W), RS12N (100-125W)	16.5"	8.0"	7.9"

Specifications are subject to change without notice

VOLTAGE DROP TABLE NATIONAL ELECTRICAL CODE

TECHNICAL INFO

The National Electrical Code limits voltage drop to a maximum of 5% of nominal. The table shows the maximum length of a given battery circuit, assuming that the total load is concentrated at the end of the load circuit. If loads are uniformly spaced (equal watts, equal distances) along the circuit path, all of these distances may be increased, based on the number of heads or fixtures on a given circuit. This may permit a savings by the use of a smaller wire size (see wiring distance formula table below).

Wiring Distance Formula Table

Number of Heads	2	3	4	5	6
Multiply Feet by	1.33	1.5	1.6	1.67	1.71

For example, a 36 foot long, 6 volt circuit has 7 watt heads spaced 12 feet apart. According to the voltage drop table, #10 wire must be used at 43 feet for a 5% voltage drop. But, multiplying the 27 feet for #12 wire by 1.5, a 40¹/₂ foot wire run is acceptable. Therefore, #12 wire may be used and still meet the 5% voltage drop limitation. Wire size determinations can be made for non-uniformly spaced loads. But for ease and safety, it would be advisable to use the voltage drop tables. For a precise determination of the maximum length of wire run for a concentration load (before applying the adjustment for uniformly distributed loads), divide the total load in watts into the constant at the bottom of each row. (Example: the maximum wire run for #12 wire on a 12 volt system, with a 44 watt load, is 2267÷44, or 51 feet.)

Conversely, the maximum load on a run of known length (before applying the adjustment) may be determined by dividing the length into the constant. (Example: On a 12 volt system, a 38 foot run of #12 wire can be loaded to 2267÷38 = 60 watts; on #10 wire, 3604÷38 = 94 watts.)

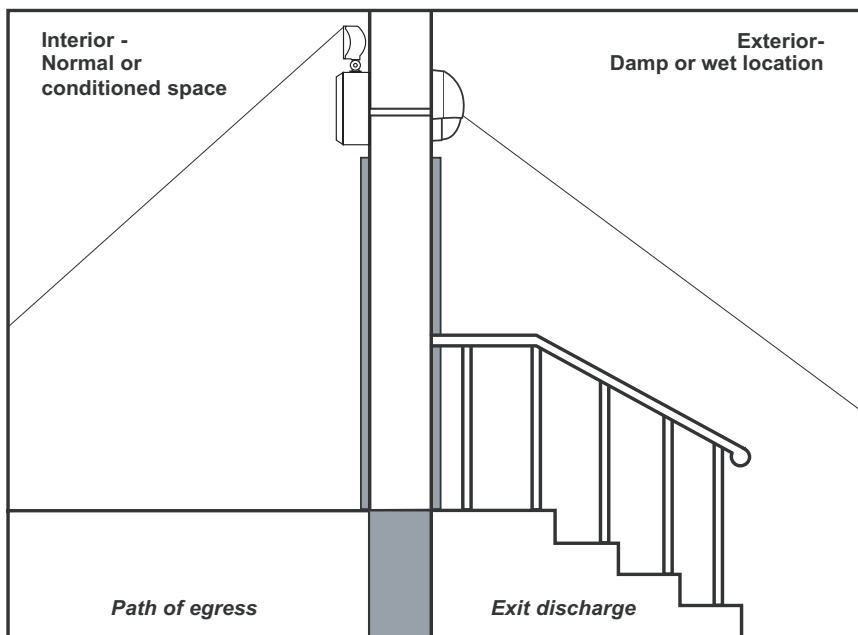


Total Watts on Wire Run	6 Volt				12 Volt			
	Wire Gauge (in feet)				Wire Gauge (in feet)			
	12	10	8	6	12	10	8	6
6	94	150	238	379	377	600	955	1518
7	81	128	204	325	323	515	818	1301
8	70	112	179	284	283	450	716	1138
10	56	90	143	227	226	360	573	911
12	47	75	119	189	189	300	477	759
14	40	64	102	162	162	257	409	650
16	35	56	89	142	141	225	358	569
18	31	50	79	126	126	200	318	506
20	28	45	71	113	113	180	286	455
21	27	43	68	108	108	171	272	433
24	23	37	59	94	94	150	238	379
25	22	36	57	91	90	144	229	364
28	20	32	51	81	81	128	204	325
30	19	30	47	76	75	120	191	303
32	17	28	44	71	70	112	179	284
35	16	25	41	65	64	103	163	260
36	15	25	39	63	63	100	159	253
40	14	22	35	57	56	90	143	227
42	13	21	34	54	54	86	136	217
48	11	18	29	47	47	75	119	189
49	11	18	29	46	46	73	117	186
50	11	18	28	45	45	72	114	182
54	10	16	26	42	42	66	106	168
56	10	16	25	40	40	64	102	162
60	9	15	23	38	37	60	95	151
64	8	14	22	35	35	56	89	142
70	8	12	20	32	32	51	82	130
72	7	12	19	31	31	50	79	126
75	7	12	19	30	30	48	76	121
80	7	11	18	28	28	45	71	113
84	6	10	17	27	27	43	68	108
88	6	10	16	25	25	41	65	103
90	6	10	16	25	25	40	63	101
96	6	9	15	23	23	37	59	95
100	5	9	14	22	22	36	57	91
104	5	8	13	21	21	34	55	87
108	5	8	13	21	21	33	53	84
112	5	8	12	20	20	32	51	81
120	4	7	11	19	18	30	47	76
125	4	7	11	18	18	28	45	72
126	4	7	11	18	18	28	45	72
128	4	7	11	17	17	28	44	71
132	4	6	10	17	17	27	43	69
136	4	6	10	16	16	26	42	67
144	4	6	10	15	15	25	39	63
150	3	6	9	15	15	24	38	60
152	3	6	9	15	15	23	37	60
156	3	5	9	14	14	23	36	58
160	3	5	9	14	14	22	35	57
162	3	5	8	14	14	22	35	56
168	3	5	8	13	13	21	34	54
175	3	5	8	13	13	20	32	52
176	3	5	8	12	12	20	32	51
180	3	5	8	12	12	20	31	50
184	3	4	7	12	12	19	31	49
192	3	4	7	11	11	18	29	47
198	2	4	7	11	11	18	29	46
200	2	4	7	11	11	18	28	45
Constant	567	901	1432	2277	2267	3604	5730	9109

Specifications are subject to change without notice

1911 W Parkside Ln • Phoenix, AZ 85027 • (800) 533-3948 • www.exitronix.com

EXIT DISCHARGE GUIDE FOR NORMALLY OFF FIXTURES



Conventional emergency lighting and exit signs were primarily focused on helping guide occupants to the exterior of a building. Today, additional focus is being placed on getting occupants to an exit safely and down a path of safety once they are out of the building. This guide will help define the exit discharge, reference code requirements for the exit discharge. Either normally-on or normally-off fixtures can provide exit discharge illumination. However, this guide will only cover normally-off fixtures.

CODE INFORMATION

Life Safety Code (NFPA 101)

Section 3.3.136 Means of Egress:

A continuous and unobstructed way of travel from any point in a building or structure to a public way consisting of three separate and distinct parts: (1) the exit access, (2) the exit, and (3) the exit discharge.

Section 3.3.136.1 Accessible Means of Egress

Section 7.9 Emergency Lighting:

7.9.1.2 “. . . exit discharge shall include only designated stairs, ramps, aisles, walkways, and escalators leading to a public way.”

Section 7.9.2 Performance of System:

7.9.2.1 “Emergency illumination shall be provided for not less than 1-½ hours in the event of failure of normal lighting. Emergency lighting facilities shall be arranged to provide initial illumination that is not less than an average of 1 ft-candle (10.8 lux) and, at any point, not less than 0.1 ft-candle (1.1 lux), measured along the path of egress at floor level. Illumination levels shall be permitted to decline to not less than an average of 0.6 ft-candle (6.5 lux) and, at any point, not less than 0.06 ft-candle (0.65 lux) at the end of the 1-½ hours. A maximum-to-minimum illumination uniformity ratio of 40 to 1 shall not be exceeded.”

Since exit discharge is one of the three components defined as the “means of egress” per 3.3.121 of the Life Safety Code and since 7.9.1.1 also includes exit discharge, many authorities having jurisdiction have concluded that the lighting levels of 7.9.2.1 apply in full. Note: Variations may exist depending upon the interpretation of codes in your area.

This reprinted material is not the complete and official position of the NFPA on the referenced subject, which is represented only by the standard in its entirety.

WHAT IS EXIT DISCHARGE...

The exit discharge is the portion of the means of egress between the building exit and the public way. According to the 2003 Life Safety Code, section 3.3.175, a public way is defined as “A street, alley or other similar parcel of land essentially open to the outside air deeded, dedicated, or otherwise permanently appropriated to the public for public use and having a clear width and height of not less than 30ft (50mm) (120in).”

HOW TO DECIDE WHEN IT APPLIES...

Since the nature of the exit discharge is outdoor applications, standard fixtures may not be suitable. Outdoor applications fall into two categories: damp location or wet location. According to chapter one, article 100, of the 2002 National Electrical Code, damp locations include “. . . partially protected locations under canopies, marquees, roofed open porches, and like locations. . .” Wet location is partially defined as “. . . locations subject to saturation with water or other liquids, such as vehicle washing areas; and in unprotected locations exposed to weather.”

REMOTE FIXTURES

In general, remote fixtures offer advantages such as lower initial cost, lower maintenance costs, and better aesthetics over typical emergency battery units. These advantages are more prevalent in environments that require special ratings such as wet location and NEMA 4X, or in areas where ambient temperatures can diminish battery capacity or life. Both occurrences are common with the exit discharge. In many instances, the battery unit can be installed in a normal or conditioned environment with the remote heads located in the areas that require special ratings.

POWER SOURCES

Once the classification of an environment is determined and the remote fixtures have been chosen, the next step is to determine which power sources will operate the remote fixtures from a normal or controlled environment. If a facility utilizes unit equipment for its emergency lighting, the option of running the exit discharge remote(s) off of those units should be considered.

If the facility is not utilizing unit equipment for its emergency lighting, the exit discharge remote(s) can be powered by special exit/unit equipment combination signs that are placed above any door leading to the exit discharge.

Specifications are subject to change without notice

UNDERCABINET TASK LIGHTING



FEATURES

- Housing constructed of heavy gauge steel with flush ends
- Knockouts on side and back of fixture for easy mounting
- Fixtures are finished in white enamel over a rust inhibiting coating with a white interior
- Ballast compartment designed with concealed screws, eliminating any exposed hardware
- Durable, translucent, prismatic, acrylic diffuser provides bright and even light distribution
- Factory wired for 110-125 VAC operation
- All units supplied with electronic ballasts and include T5 style lamps
- Can be mounted individually or in continuous rows
- Switch included

WARRANTY

Any component that fails due to manufacturer's defect is guaranteed for 1 year. Warranty does not apply to damages caused by improper installation, abuse, fire or acts of God. Manufacturer reserves the right to charge for such repairs if deemed necessary.

The UC Series, Under cabinet lighting provides uniform, efficient illumination. The UC series is an ideal task light and its slim design fits unnoticed under cabinets and shelving.

ORDERING INFORMATION

Catalog Model #	Size	Ballast Type	Lamps (Included)	Dimensions
UC12E120-3 UC12E120	12"	Electronic Ballast	(1) 8 Watt T5	12 1/4 x 3 x 1 1/16 12 1/4 x 5 x 1 1/16
UC21E120-3 UC21E120	21"	Electronic Ballast	(1) 13 Watt T5	21 1/8 x 3 x 1 1/16 21 1/8 x 5 x 1 1/16
UC24E120-3 UC24E120	24"	Electronic Ballast	(2) 8 Watt T5	24 3/8 x 3 x 1 1/8 24 3/8 x 5 x 1 1/8
UC33E120-3 UC33E120	33"	Electronic Ballast	(1) 8 Watt T5 & (1) 13 Watt T5	33 7/8 x 3 x 1 1/16 33 7/8 x 5 x 1 1/16
UC42E120-3 UC42E120	42"	Electronic Ballast	(2) 13 Watt T5	42 1/4 x 3 x 1 1/16 42 1/4 x 5 x 1 1/16

Specifications are subject to change without notice

CUSTOM SIGNS BUILT TO ORDER

Exitronix is pleased to announce the ultimate in LED sign flexibility. We have devised a simple and effective means to customize your signage needs utilizing LED technology. For years Exitronix has been a leader in LED lighting, now we are offering the ability to take advantage of the latest LED colors and brightness advancements and couple them with your custom signage needs.

Exitronix can display any custom message, company logo, or personalized option in any font, size or color to compliment any application. So be creative and call the factory or e-mail us at ledexit@exitronix.com for a personalized quotation on this unique offering.

AVAILABLE IN:

- 84 Series: Weather-proof
- 900 Series: Edge-lit
- 400 Series: Die-cast Aluminum
- 700 Series: Durable Steel
- VEX Series: Polycarbonate



Specifications are subject to change without notice

82 WEATHERPROOF, DIRECT VIEW LED DIRECTIONAL SIGNS

FEATURES

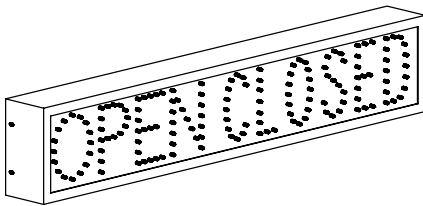
- Suitable for all outdoor locations
- Operates on less than 10 watts
- No lamp replacement
- LED life of 25 years or more
- Installs in minutes with only a screwdriver
- Standard 120 VAC input; class 2 output
- High grade aluminum frame
- Uniform illumination from all angles
- Optional visor
- Optional flush mounting kit
- Optional illuminated operator control switches
- Optional mounting canopy for surface mount applications

WARRANTY

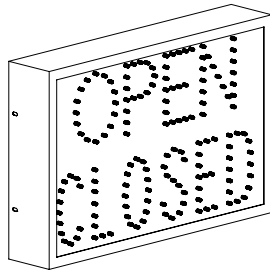
Any component that fails due to manufacturer's defect is guaranteed for 5 years. Warranty does not apply to damages caused by improper installation, abuse, fire or acts of God. Manufacturer reserves the right to charge for such repairs if deemed necessary.

Exitronix LED Directional Signage offers an extremely bright, low energy and maintenance-free solution to lane control. Our aesthetically pleasing design, coupled with weatherproof durability and a full five-year warranty, provides you and your customers with state-of-the-art technology and cost savings all in one.

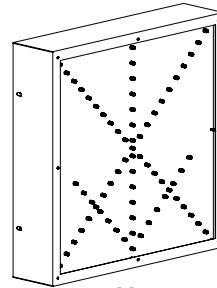
DIMENSIONS



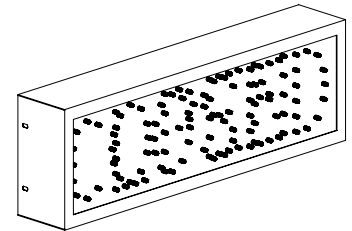
82-1



82-2



82-4



82-5

ORDERING INFORMATION

SERIES	SIZE	HOUSING FINISH	LEGEND	OPTIONS
82 = Direct View 84 ¹ = Custom Face	1 = 32.6" x 6" x 3.25" 2 = 17.9" x 11.6" x 3.25" 4 = 14" x 14" x 3.25" 5 = 19.5" x 6.25" x 3.25"	1 = BR 2 ² = BL 3 ² = SA	01 = Open/Closed 02 = ATM Lane 03 = ATM Only 04 = X and ↓ 05 = ATM Teller 06 = X and ↓ (Double Row) 09 = Commercial 13 = ATM Open Closed Overlay 14 = ATM	0 = None 1 = Sun Visor 2 = Recessed Mount 3 = Canopy Kit

ACCESSORIES (Order as separate line item)
SW1 = 1 Gang Switch SW2 = 2 Gang Switch SW3 = 3 Gang Switch SW4 = 4 Gang Switch SW5 = 5 Gang Switch SW6 = 6 Gang Switch

¹ Available in diffused only
² Black and Satin Aluminum are optional finishes, available at an additional cost. Custom colors available, inquire with factory.

DIRECTIONAL SIGNS

84 WEATHERPROOF, DIFFUSED LED CUSTOM SIGNS

Exitronix is pleased to announce the ultimate in LED sign flexibility. We have devised a simple and effective means to customize your signage needs utilizing LED technology. For years Exitronix has been a leader in LED lighting, now we are offering the ability to take advantage of the latest LED colors and brightness advancements and couple them with your custom signage needs.

Our 84 Series offers an attractive, low-profile weatherproof housing, designed with the extremes of the elements in mind. The 84 Series is the diffused version of our direct-view 82 Series, accommodating any custom message, company logo, or personalized option in any font, size or color to compliment any application.



VISIBILITY/DISTANCE SPECIFICATIONS

Character Height	Maximum Readable Distance
1.5 inches	40 feet
2 inches	65 feet
2.5 inches	80 feet
3 inches	110 feet
4 inches	160 feet
6 inches	225 feet
8 inches	375 feet

24 express

EXITRONIX... THE RIGHT PRODUCT AT THE RIGHT TIME

The Express 24 Program offers a level of service unmatched from order placement to delivery. Guaranteed to ship in 24 hours. IF WE FAIL, WE PAY. You are guaranteed stock shipments that are on time, accurate and error-free. Express 24 guarantees same day shipment on the most popular and highest quality Emergency Lighting Products in the Electrical Industry. Express 24 is a confirmation of our dedication to providing real-time inventory, combined with consistent guaranteed shipments, that in turn, reduce transaction costs that maximize your ability to "turn and earn".

Since 1973, Exitronix has operated under an internal system for success that we labeled the "Total Quality System", which is our philosophy of doing business.

All Exitronix products are engineered for quality and dependability. Exitronix uses only the most reliable electronic components and specification grade materials. Every step of manufacturing adheres to stringent quality control guidelines, ensuring safe and reliable means of egress.

STOCK WHERE YOU NEED IT... WHEN YOU NEED IT!



EXPRESS 24



EXIT SIGNS AND COMBOS

- Damp Location rated
- Red or Green LEDs, optional self-test/self-diagnostics
- 120/277 VAC dual input
- AC lockout feature makes installations easier
- Brown-out and short-circuit protected
- Low voltage battery disconnect
- Maintenance-free, sealed lead calcium or NiCad batteries

EMERGENCY LIGHTING & ACCESORIES

- Metal & thermoplastic commercial and contractr grade emergency lightings
- UL 94 V-0 Flame Rated
- UV Stable thermoplastic components
- ETL Listed, conforms to UL 924
- Damp Location rated
- 120/277 VAC dual input
- AC lockout feature makes installations easier
- Brown-out and short-circuit protected
- Low voltage battery disconnect
- Maintenance-free, sealed lead calcium battery



EMERGENCY BALLASTS & RETRO-FIT KITS

- Will cold start and operate all specified lamps
- Dual voltage 120/277V, 60Hz
- Painted steel case
- A wide variety of emergency ballasts, to operate most standard fluorescent lamps
- Long life, high temperature NiCad battery
- Damp location listed

TERMS & CONDITIONS BARRON LIGHTING GROUP

1. Agreement

These Terms & Conditions constitute the entire agreement between the parties and supersede any previous agreements or understandings.

2. Terms:

Payment terms are net 30 days from the invoice date. Interest of 2% per month plus any Attorney's fees and costs will be assessed on all past due accounts. Any applicable payment discounts shall not apply to other charges such as shipping, taxes or insurance

3. Pricing:

Written quotations are valid for 30 days unless otherwise specified. Pricing is subject to change without notice. In the event of a price increase, orders shipped prior to the effective date of the change, will be shipped at the price stated on the purchase order. Orders released after the effective date will be billed at the new price. Minimum order will be \$250.00 and \$50.00 on replacement parts.

4. Shipping & Handling:

All prices are FOB shipping point. Freight allowance will begin on orders greater than \$1,500 per shipment per location for product shipped in the continental U.S. While every effort will be made to ship products as required, any delay or failure due to strikes, lockouts, fire, acts of god or other circumstances beyond the control of Barron Lighting Group will not constitute a breach of contract. All Barron Lighting Group products are inspected for mechanical defects prior to shipment. Title of material passes to the buyer upon delivery by Barron Lighting Group to the carrier and any claim for damage or shortage in transit shall be made by the customer to the carrier. Any claims for shortages must be made within five days of delivery. Barron Lighting Group shall assist in any way possible.

5. Taxes:

All prices, quotations, orders and agreements are subject to local state and federal taxes. These taxes will be added to the invoice unless legal proof of exemption is provided.

6. Returns & Cancellations:

Returns as a result of a buyer error will be charged freight both ways and a minimum service charge of 35% will be assessed. This amount will be deducted from the credit, if applicable, to cover the cost of handling, unpacking, inspecting, and breakdown of component parts. Orders for stocking items as defined by Barron Lighting Group may be cancelled without charge. All special orders or non-stocking items are non-cancellable, non-returnable for any other reason than defective. Buyer shall have 30 days to return product in a saleable condition to receive any credit.

7. Standard Packaging:

Barron Lighting Group reserves the right to alter the quantities of any order to conform to standard packaging.

8. Return Policy:

- a. Merchandise is not returnable without the written approval of Barron Lighting Group.
- b. Request for an RGA must be made in writing within 30 days from the date of shipment. Any material returned without an RGA will be returned to the customer, freight collect, and no credit will be issued. Freight shipment to the factory will be prepaid by the customer.
- c. All material must be received in a saleable condition and in the original packaging. Products will be inspected upon return to determine whether it will be repaired or replaced as long as it is within the warranty period. RGA's will not be issued for discontinued products.
- d. All non-stock, special, custom made or outdated and modified versions of normal factory stock items are non-returnable.
- e. Contractor back charges or charges for rental equipment will not be accepted without prior written approval.

When requesting an RGA, please be sure to include:

- Distributors name
- Original purchase order number and date
- Barron Lighting Group catalog number
- Quantity of product to be returned
- Reason for return

Include a copy of the RGA with the returned goods and mark all boxes with the RGA number.

All warranties are void if the material is found to be defective for any other reason than manufacturer's defect of workmanship.

Invoices for replacement material are due in full. Credit will only be given when defective material is returned to Barron Lighting Group.

ALL RETURNS MUST BE SENT TO:

Barron Lighting Group
Returns Department
1911 W. Parkside Lane
Phoenix, Arizona 85027

9. Governing Law:

These Terms & Conditions are made in accordance with the laws of the state of Arizona. Any litigation resulting from the sale of products manufactured by the Barron Lighting Group shall be litigated in the state of Arizona.





EXITRONIX

emergency lighting



EXITRONIX, a division of Barron Lighting Group

1911 West Parkside Lane

Phoenix, Arizona 85027

(800) 533-3948 • (623) 580-3948 • Fax: (623) 580-8948

www.barronltg.com