

EXITRONIX

emergency lighting



5th Edition Emergency Lighting Guide

1973 **40** 2013
years

Your complete source for specification
and commercial grade lighting products.

EXITRONIX

Full line of exit and emergency lighting safety products utilizing the latest in energy efficient technology.



specialtyLED

Commercial and decorative LED products for indoor and outdoor applications including border tubes, rope lighting, flexible ribbon light, linear wall wash and more.



TRACE LITE

Indoor and outdoor lighting products available with LED, Induction, Fluorescent and HID lamp technology.



It's Service First at Barron Lighting Group

Our Mission

We will impact our customers by intentionally delivering more at all levels of our business to provide personalized service and exceptional products in a timely and decisive manner.

Our Commitment To Deliver You More

Our commitment to you begins and ends with a heart for service. At Barron Lighting Group, our Mission has always influenced the way we think and conduct our business. It highlights our desire to serve our Customers and gives us direction when we have to make decisions. It is another way of saying, "we have a passion to take care of the people we serve by doing the right thing first."

We often tell our employees that we are in the Customer Service business—we just happen to provide lighting products. Our goal is to make every interaction a positive experience for our Customers. We continually pursue ways to bring you more through personalized assistance, valuable products and resources and simple processes to make it easy for you to do business. We recognize the great importance you have in our business. It is truly a privilege to serve your lighting needs.

For us it's all about delivering you more!

The Barron Lighting Group Team

Delivering You More Through...

Easy Access and Assistance

- **Direct Access to a Personalized Team of Experts:** We have intentionally designed our sales teams by territory to assure you a consistent level of service and comfort because you will always speak to the same team members every time.
- **Strategic Partnerships:** We are determined to deliver you reliable products that provide real solutions. We have built many partnerships to ensure we are utilizing the best resources, technologies and components for each product design and performance.
- **Extensive Line of Made in America Products:** Most of the Barron Lighting Group product family meets or can be made to meet ARRA standards.
- **Fast Easy Quotes and Returns:** We value your business and understand the need for quick response times. You can count on us!
- **Multiple Warehouse Locations:** We offer 9 warehouse locations nationwide to ensure you have access to the products you need when you need them.
- **Customized Products:** We have the capability to respond quickly to your specific project specification needs. Let us help you find the best solution. We can help you secure jobs that others cannot.
- **Certified Testing Lab:** Our onsite testing allows us to conduct research and introduce products and solutions more quickly to you. Every step of our manufacturing process adheres to stringent quality control guidelines, ensuring every product consistently meets our customers' expectations.
- **Product Literature:** Check out our full array of catalogs, marketing collateral and spec sheets. We'd be happy to help you personalize these tools or take part in on site customer visits.
- **Training:** Keep informed on the latest products and technologies. Contact us for an onsite visit or participate in one of our webinars.
- **Merchandising Tools:** We offer gondolas, counter mats, literature and more.





Rewarding Programs to Increase Your Sales

- **Express 24 Delivery:** We offer you a 24-hour shipping guarantee on our most popular emergency and outdoor lighting products. If we fail, we pay 10% off the face of the invoice. It's that easy. Ask for details.
- **Marketing Promotions:** We offer national promos and tailor-made programs to enhance your sales.
- **New Product Launches:** Watch for the latest product technologies throughout the year. We offer special pricing and promotions to help you increase your sales.
- **Product Samples:** Need a solution for a project? Let us know if you need a sample to assist in your sales efforts.
- **Co-op Program:** Let us help you with your marketing and advertising efforts.



Online Answers at Your Fingertips

- **Product Specifications:** Find the most up to date data on the products you need 24/7. Be sure to explore the wide range of specification grade products Barron Lighting Group has to offer.
- **IES Data Sheet Files:** We offer complete downloadable photometric data in our online IES library.
- **e-Literature:** You have access to all our product literature and catalogs online anytime you need them.
- **Online Requests:** Send us your request for a custom quote or product info 24/7 and we'll respond quickly.
- **e-Newsletter:** Sign up to receive our monthly e-newsletter to hear about key industry news, marketing promotions and new products at marketing@barronltg.com.
- **Twitter:** Follow us @BarronLighting and get the latest scoop on industry news and Barron Lighting Group.





express²⁴

In Stock And On Time... Guaranteed

Offering same day shipment on the most popular emergency and outdoor lighting products, Express 24 delivers you more...even faster!

Guaranteed to ship in 24 hours, Express 24 provides a level of service unmatched from order placement to delivery. IF WE FAIL, WE PAY 10% OFF THE FACE OF THE INVOICE. It's just that easy. Reduce your transaction costs and maximize your ability to "turn and earn" by joining the Express 24 Program today.

Got An Order Emergency?

We can expedite virtually any order. Our entire team, from our customer service representatives to our production staff can get it done!

Take The Worry Out Of Shipping!

Fast, efficient deliveries with real time tracking status from any of our 9 nationwide locations means you get the product you need, when you need it!

9 Warehouse Locations



North Phoenix, AZ
Phoenix, AZ
La Mirada, CA
Dallas, TX
Lenexa, KS

St. Louis, MO
Chicago, IL
Edison, NJ
Tampa, FL

Terms & Symbols



UL (Underwriters Laboratories) The UL Mark means that UL has tested and evaluated representative samples of that product and determined that they meet UL requirements. All EXITRONIX emergency lighting products are engineered to UL924 standards.



ETL (Intertek) The ETL Mark is proof of product compliance to North American safety standards, including UL, ANSI, CSA, ASTM and NFPA standards. ETL Listed products are tested and held to the same standards as UL924 Listed products.



CSA (Canadian Standards Association) The CSA International Certification Marks indicate that a product has been tested to a Canadian or U.S. standard and it meets the requirements of an applicable CSA standard or other recognized document used as a basis for certification, such as UL924.



ARRA (American Recovery & Reinvestment Act) Products marked with this logo are compliant or can be manufactured to be compliant with the ARRA and Buy American provisions.



EXITRONIX Warranty Products with this logo are covered by the manufacturer's warranty for the designated number of years. Battery warranties may be subject to pro-rating.



EXITRONIX Warranty Products with this logo have a separate pro-rated battery warranty, for a different period of time than the housings, electronics, etc. For example, while the fixture may be rated for 25 years, the battery carries a 5 year pro-rated warranty.



Renegade Compatible Products are available with the Renegade Universal LED Lamp Head. This LED lamp is designed to work with any 6 or 12 volt DC power supply, and offers the same output as a 20 watt halogen lamp, but only using 3.6 total watts!



Table of Contents

EXIT SIGNS

LED Edge-lit Exits.....	Pages 10-12
LED Hazardous/Wet Location Exits & Combos.....	Pages 13-17
LED Die-Cast Exits & Combos.....	Pages 18-22
LED Steel Exits & Combos.....	Pages 23-27
LED Wheelchair Accessible Exits.....	Pages 28-31
LED Thermoplastic Exits & Combos.....	Pages 32-36
Non Electric Photoluminescent & Tritium Exits.....	Pages 37-38

Emergency Lighting

LED Emergency Lighting.....	Pages 40-49
Wet Location Emergency Lighting.....	Pages 50-56
Indoor Emergency Lighting.....	Pages 57-69

Special Code Requirements

Connecticut Approved.....	Pages 28-31
City of Chicago Approved.....	Pages 72-77
New York City Approved.....	Pages 78-82

LED Specialty Signs

Specialty Signs.....	Page 84
Custom Signs.....	Page 85
Weatherproof Lane Control Signs.....	Page 86
Weatherproof Custom Signs.....	Page 87

Central Systems

Inverters.....	Pages 89-90
----------------	-------------

Fluorescent Emergency Ballasts

Ballasts.....	Pages 92-93
---------------	-------------

Remotes & Retro-fit Kits

Remote Lamp Heads.....	Pages 96-100
Retro-fit Kits.....	Pages 101-102

Accessories

Guards.....	Pages 104-105
Wet Location/Vandal Resistant Guards.....	Page 106

Reference

Voltage Drop Table.....	Page 107
Exit Discharge Guide.....	Page 108

Terms & Conditions.....	Page 109
------------------------------------	-----------------

Index

Product by Type.....	Page 110
Product by Name.....	Page 111



Buy American, Buy Barron

Our U.S. based manufacturing plant in Phoenix, Arizona is capable of meeting all your project needs. Over 95% of our product offering can be manufactured to meet ARRA compliant requirements. See your sales representative for Exitronix's Made in America products and ordering details or look for the RECOVERY.GOV icon on qualified product pages.





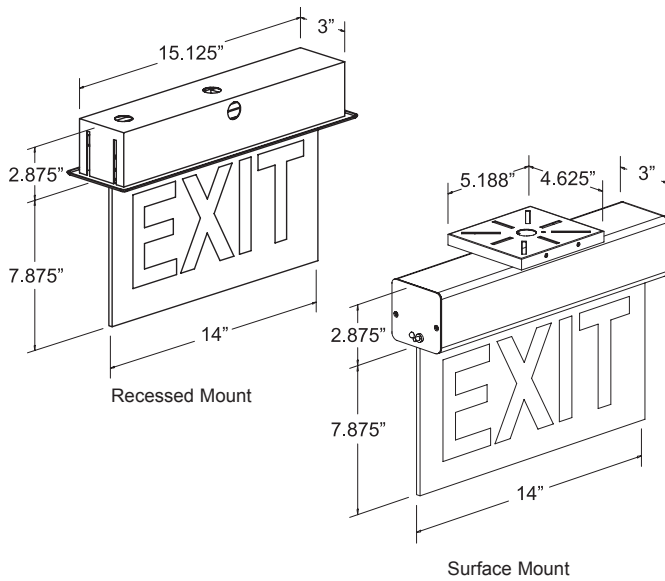
LED Exit Signs & Combos

900 UNIVERSAL SURFACE OR RECESSED LED EDGE-LIT EXIT



Alternate legends & custom configurations available - see page 84 for details!

DIMENSIONS



FEATURES

- Attractive specification-grade aluminum extrusion design
- High clarity, optically true, acrylic panels
- Recessed and surface mount - Ceiling or wall mount
- Custom legends or pictures available
- ETL listed 90 minute emergency run time, 24 hour recharge time
- 120/277VAC dual primary, 60Hz input
- Low voltage disconnect eliminates deep discharge
- Brown-out, short circuit and voltage surge protection
- Maintenance-free lead acid battery
- Optional NiCad battery available
- Optional Guardian Self-Test/Self-Diagnostics (G2) available
- NiMH battery standard with G2 option
- Constant, uniform illumination by long-life, high intensity, red or green LEDs
- Fully-illuminated 6" characters with 3/4" stroke
- Field applicable chevrons provided
- Standard finishes: Black, white or brushed aluminum
- 25 year warranty with separate 5 year pro-rated battery warranty
- Complete fixture series meets American Recovery and Reinvestment Act of 2009 (ARRA) requirements and Buy American provisions



Specifications are subject to change without notice

ORDERING INFORMATION

Example: 902-U-WB-RM-ZC-BA-G2

Series	Mounting	Power Source	Panel Color	Arrow Configuration	Finish	Options (Factory Installed)
902 = Single Face	R = Recessed	LB = AC Only	RC = Red Letters/Clear Panel	Single Face	WH = White	G2 ³ = Self-Test/Self-Diagnostics
903 ¹ = Double Face	WR ² = Wall Recessed	WB = With Battery	RW = Red Letters/White Panel	CL = Chevron Left	BL = Black	G2AA ³ = G2 w/Audible Alarm
	U = Universal Surface	NC ³ = NiCad	RM = Red Letters/Mirror Panel	CR = Chevron Right	BA = Brushed Alum.	DR = Damp Location Rated
			GC = Green Letters/Clear Panel	BC = Both Chevrons		FL = Flasher
			GW = Green Letters/White Panel	ZC = Zero Chevrons		BZ = Buzzer
			GM = Green Letters/Mirror Panel	XX = Field Applied Chevrons		FB = Flasher & Buzzer
				Double Face		A1 = Fire Alarm Interface w/FL Option
				SC = Single Chevron		A2 = Fire Alarm Interface w/FB Option
				BC = Both Chevron		2CI1 ⁴ = 2 Circuit Input 120/120V
				ZC = Zero Chevrons		2CI7 ⁴ = 2 Circuit Input 277/277V
				XX = Field Applied Chevrons		2CI17 ⁴ = 2 Circuit Input 120/277V
						SS ⁵ = Specialty Signs
						Accessories⁶ (Field Installed)
						ER1-KIT = 1' Pendant Mount Kit
						ER2-KIT = 2' Pendant Mount Kit

¹ Double face available with white or mirror panel only

² Single face only

³ G2 options come standard with NiMH batteries, not available with NiCad

⁴ LB only, for use with inverter or generator applications only

⁵ See page 84 for alternate legends and custom configurations

⁶ Order as separate line item, surface mount only

FEATURES

- Pivoting design for simple installation in any application, including wall, ceiling, sloped ceiling or recessed mounting in single or double face configurations
- Truly universal ("SR") model includes surface mounting canopy as well as back box for recessed mounting applications
- Die-cast aluminum housing with high-grade, optically true, acrylic panel
- Compact, low profile design
- Low energy consumption
- Mirror panel supplied as a standard on all double-faced signs
- ETL listed 90 minute emergency run time, 24 hour recharge time
- Low voltage disconnect eliminates deep discharge
- Optional Guardian Self-Test/Self-Diagnostics (G2) available
- Constant, uniform illumination by long-life, high intensity, red or green LEDs
- Fully-illuminated 6" characters with 3/4" stroke
- Field applicable chevrons provided
- 120/277V dual primary, 60Hz input
- Standard finishes: White or brushed aluminum
- Suitable for damp location
- 5 year warranty with separate 3 year pro-rated battery warranty



Specifications are subject to change without notice

ORDERING INFORMATION

Example: S902-WB-SR-RC-BA-G2

Series	Power Source	Mounting	Panel Color	Finish	Options (Factory Installed)
S902 = Single Face	LB = AC Only	S = Surface	Single Face	WH = White	G2 = Self-Test/Self-Diagnostics
S903 = Double Face	WB = With Battery	SR ¹ = Universal	RC = Red Letters/Clear Panel	BA = Brushed Alum.	
			GC = Green Letters/Clear Panel		
			Double Face		
			RM = Red Letters/Mirror Panel		
			GM = Green Letters/Mirror Panel		

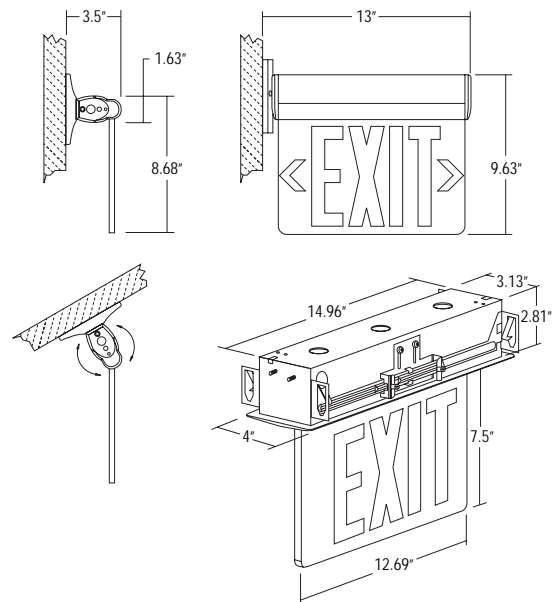
¹ SR option includes kits for surface & recessed mounting

UNIVERSAL SWIVEL MOUNT
LED EDGE-LIT EXIT

S900



DIMENSIONS

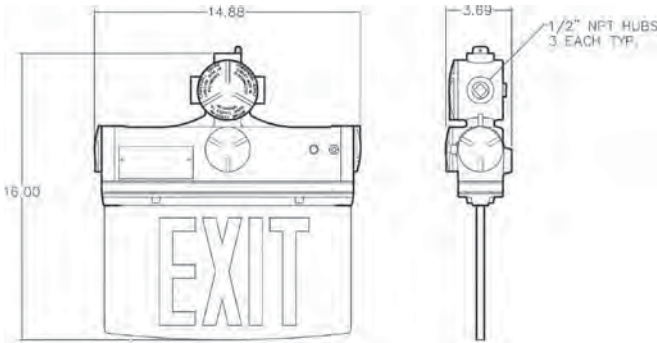


CHAMPION HAZARDOUS LOCATION LED EDGE-LIT EXIT



EXIT SIGNS

DIMENSIONS



FEATURES

- Hazardous Location Exit rated IP65 for: Class I, Division 2, Groups A, B, C & D - Class II, Division 2, Groups F & G - Class III - UL1598A Marine Outside Type
- Explosion-proof option (EXP) increases rating to include: Class I, Division 1, Groups C & D - Class II, Division 1 & 2, Groups E, F & G - Class III - Class I, Zone 1, Groups IIA & IIB - Zone 2, Groups IIA, IIB + H2 & IIC - UL1598A Marine Outside Type
- Copper-free cast aluminum housing with 1/2" NPT conduit hubs
- High clarity, optically true, acrylic panels
- ETL listed 360 minute emergency run time, 24 hour recharge time
- Optional Guardian Self-Test/Self-Diagnostics (G2) available
- Low energy consumption
- Available with single or double face configurations
- Mirror panel supplied as a standard on all double-faced signs
- Suitable for wet or damp location
- Universal Mounting - Ceiling, back or end mount
- 120/277V dual primary, 60Hz input
- Exit face is illuminated by long-life, high intensity, red or green LEDs
- Fully-illuminated 6" characters with 3/4" stroke
- Chevron-style, universal arrow
- Standard finish: Gray
- 5 year warranty with separate 1 year pro-rated battery warranty
- Complete fixture series meets American Recovery and Reinvestment Act of 2009 (ARRA) requirements and Buy American provisions



Specifications are subject to change without notice

ORDERING INFORMATION

Example: CP-E-1-R-WB-EB-G2

Series	Number of Faces	Face Color	Power Source	Mounting	Options (Factory Installed)
CP-E	1 = Single Face	R = Red	LB = AC Only	WP = Wall/Pendant Mount	G2 ¹ = Self-Test/Self-Diagnostics
	2 = Double Face	G = Green	WB = With Battery	EB = End Mount Bracket	

¹ Available on with battery (WB) units only

FEATURES

- IP66 rated for wet and hose down locations - NEMA 4X
- Heavy Duty 0.42" thick, cast aluminum housing
- Impact-resistant, polycarbonate shield offers extreme protection
- Guardian Self-Test/Self-Diagnostics (G2) standard
- Tamper-resistant hardware standard
- CSA recognized NiCad battery
- Extended 120 minute run time battery available
- Optional internal battery heater for cold locations (down to -20°C)
- Universal Mounting - Ceiling, back or end mount
- Constant, uniform illumination by long-life, high intensity, red or green LEDs
- Fully-illuminated 6" characters with 3/4" stroke
- Chevron-style, universal arrow knockouts
- 120/277/347V, 60Hz input
- Standard finishes: Black and white
- 5 year warranty with separate 5 year pro-rated battery warranty
- Fixture series may be built to comply with the American Recovery and Reinvestment Act of 2009 (ARRA) requirements and Buy American provisions - call factory for details

VANDAL RESISTANT, WET LOCATION
DIE-CAST ALUMINUM LED EXIT

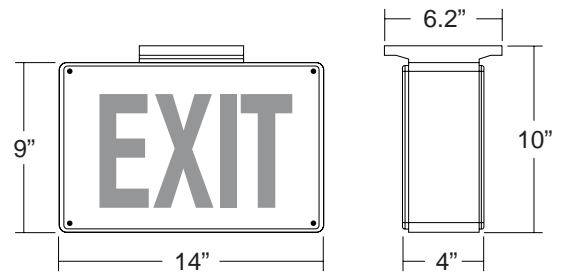
NAV



NEMA 4X
IP66 RATED

EXIT SIGNS

DIMENSIONS



Specifications are subject to change without notice

ORDERING INFORMATION

Example: NAV-NC-R-1-WH-IH1

Series	Power Source	Color	No. of Faces	Finish	Options (Factory Installed)	Accessories ² (Field Installed)
NAV	LB = AC Only	R = Red	1 = Single Face	WH = White	FL = Flasher	ER1-KIT = 1' Pendant Mount Kit
	NC = NiCad Battery	G = Green	2 = Double Face	BL = Black	BZ = Buzzer	ER2-KIT = 2' Pendant Mount Kit
			U = Universal		A1 = Fire Alarm Interface w/Flasher	
					IH1 = 120VAC Battery Heater	
					IH2 = 277VAC Battery Heater	
					2CI1 ¹ = 2 Circuit Input 120VAC	
					2CI7 ¹ = 2 Circuit Input 277VAC	
					TF = Extended Run Time (120 min)	
					USA = Meets Buy American Requirements	

¹ LB only, for use with inverter or generator applications only

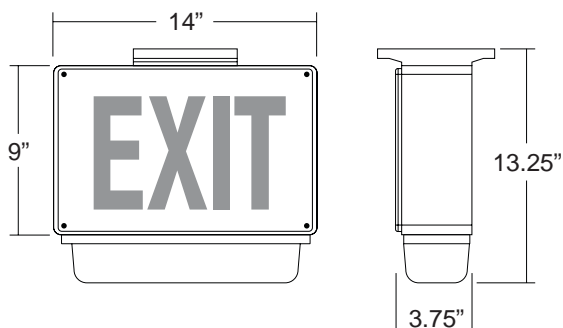
² Order as separate line item

NAV-C WET LOCATION, VANDAL RESISTANT DIE-CAST ALUMINUM LED EXIT COMBO



NEMA 4X
IP66 RATED

DIMENSIONS



FEATURES

- IP66 rated for wet and hose down locations - NEMA 4X
- Heavy Duty 0.42" thick, cast aluminum housing
- Impact-resistant, polycarbonate shield offers extreme protection
- Fully-adjustable, high-intensity MR16 halogen lamps in wattages ranging from 10-20 watts
- Back up available in 6 volt - 42 watts or 12 volt - 45 watts
- Guardian Self-Test/Self-Diagnostics (G2) standard
- Tamper-resistant hardware standard
- CSA recognized NiCad battery
- Universal mounting - ceiling, back or end mount
- Constant, uniform illumination by long-life, high intensity, red or green LEDs
- Fully-illuminated 6" characters with 3/4" stroke
- Chevron-style, universal arrow knockouts
- 120/277/347V, 60Hz input
- Standard finishes: Black or white
- 3 year warranty with separate 3 year pro-rated battery warranty
- Fixture series may be built to comply with the American Recovery and Reinvestment Act of 2009 (ARRA) requirements and Buy American provisions - call factory for details



Specifications are subject to change without notice

ORDERING INFORMATION

Example: NAV-C-6-42-10M-R-1-BL

Series	Voltage	Wattage	Lamp	LED Color	No. of Faces	Finish	Options (Factory Installed)	Accessories ¹ (Field Installed)
NAV-C	6 = 6 Volt	6 Volt	6 Volt	R = Red	1 = Single Face	WH = White	USA = Meets Buy American Requirements	ER1-KIT = 1' Pendant Mount Kit
	12 = 12 Volt	42 = 42 Watts	10M = 10 Watt	G = Green		BL = Black		ER2-KIT = 2' Pendant Mount Kit
		12 Volt	12 Volt					
		45 = 45 Watts	10M = 10 Watt					
			20M = 20 Watt					

¹ Order as separate line item

FEATURES

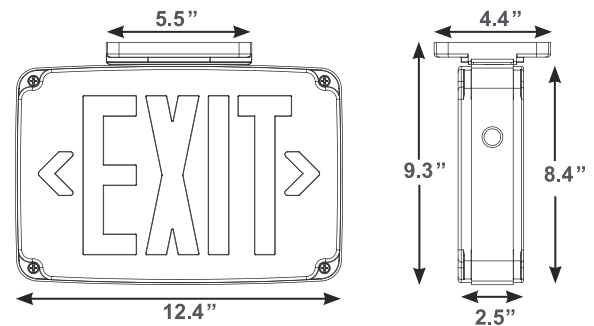
- Ideal for wet location applications in extreme conditions
- Rugged, injection-molded UL94 V-0 flame retardant, high-temperature polycarbonate housing
- Impact-resistant, polycarbonate shield offers extreme protection
- One-piece, molded, weather-proof silicone gasket
- Charge rate/power "ON" LED indicator light with test button
- Standard internal battery heater for cold locations (-20°C - 50°C)
- Low voltage disconnect eliminates deep discharge
- Brown-out, short circuit and voltage surge protection
- Overcharge protection
- Maintenance-free NiCad battery
- UL listed 90 minute emergency run time, 24 hour recharge time
- Universal Mounting - Ceiling, back or end mount
- Constant, uniform illumination by long-life, high intensity, red or green LEDs
- Universal J-Box mounting system
- Fully-illuminated 6" characters with 3/4" stroke
- Optional Guardian Self-Test/Self-Diagnostics (G2) available
- Chevron-style, universal arrow
- 120/277V dual primary, 60Hz input
- Standard finishes: Black, white or gray
- 5 year warranty with separate 5 year pro-rated battery warranty

VANDAL RESISTANT
WET LOCATION LED EXIT **VEX-WP**



EXIT SIGNS

DIMENSIONS



Specifications are subject to change without notice

ORDERING INFORMATION

Example: VEX-WP-1-WB-WH-G2

Series	Style	Power Source	Finish	Options (Factory Installed)
VEX-WP = Red	1 = Single Face	LB = AC Only	WH = White	G2 ¹ = Self-Test/Self-Diagnostics
GVEX-WP = Green	2 = Double Face	WB = With Battery	BL = Black	2CI ² = 2 Circuit Input
			GR = Gray	TRH = Tamper Resistant Hardware
			GW = Gray w/White Face	
				Accessories³ (Field Installed)
				TRHT-8H-10H = Tamper Resistant Tool

¹ G2 only available on With Battery (WB) units

² LB only, for use with inverter or generator applications only

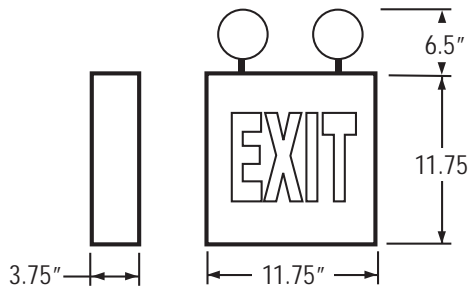
³ Order as separate line item



NEMA 4X

VRC-1-R-WB-T

DIMENSIONS



FEATURES

- Ideal for wet location applications in extreme conditions - NEMA 4X
- UV stabilized, impact- and corrosion-resistant ABS plastic enclosure in grey finish with one-piece, molded, weather-proof gasket
- Face secured with polycarbonate pressure screws
- External LED status indicator and test button
- Remote capabilities (6 volt) - up to 25 watts
- Brown-out, short circuit, voltage surge and overcharge protection
- Maintenance-free NiCad battery - rated 0° - 40°C, units with combo option utilize a UL recognized sealed lead calcium battery - rated 19° - 30°C
- UL listed 90 minute emergency run time, 24 hour recharge time
- Constant, uniform illumination by long-life, high intensity, red or green LEDs
- Fully-illuminated 6" characters with 3/4" stroke
- Optional Guardian Self-Test/Self-Diagnostics (G2) available
- Optional internal battery heater (IH) allows operation in temperatures as low as -40°C
- Optional time delay feature available
- Chevron-style, universal arrow
- 120/277V dual primary, 60Hz input
- 3 year warranty with separate 5 year pro-rated battery warranty
- Fixture series may be built to comply with the American Recovery and Reinvestment Act of 2009 (ARRA) requirements and Buy American provisions - call factory for details



Specifications are subject to change without notice

ORDERING INFORMATION

Example: VRC-1-R-WB-T-G2

Series	# of Faces	LED Color	Power Source	Emergency Lamps	Options (Factory Installed)
VRC	1 = Single Face	R = Red G = Green	LB = AC Only WB = With Battery	BLANK = None T = Top Mounted	G2 = Self-Test/Self-Diagnostics R ^{1,2} = Remote Capable FL ² = Flasher BZ ² = Audible Alarm A ^{1,2} = Fire Alarm Interface w /FL 2CI1 ³ = 2 Circuit Input 120VAC 2CI7 ³ = 2 Circuit Input 277VAC 2CI17 ³ = Two Circuit Input 120/277VAC TA = 120VAC Time Delay (Combo Only) TB = 277VAC Time Delay (Combo Only)
Accessories⁴ (Field Installed)					
WG-3 = Wire Guard, Exit Only (Ceiling Mount)					IH1 = 120VAC Internal Battery Heater
WG-5 = Wire Guard, Exit or Combo (Back Mount)					IH2 = 277VAC Internal Battery Heater
XG-6 = Poly Guard, Exit or Combo (Back Mount)					USA = Meets Buy American Requirements

¹ Remote capability up to 6VAC, 25 watts on exit, and up to 6VAC, 11 watts on combo units

² Not compatible with G2 option

³ LB only, for use with inverter or generator applications only

⁴ Order as separate line item

FEATURES

- Non-metallic, hose down rated exit with polycarbonate water shield and end caps
- External stainless steel hardware
- Compact, low-profile design
- High clarity, optically true, acrylic panels
- ETL listed 90 minute emergency run time, 24 hour recharge time
- Fixed mounting kit included - optional end mount bracket available
- Low energy consumption
- Suitable for wet or damp location
- Available with single or double face configurations
- Chevron-style, universal arrow
- Exit face is illuminated by long-life, high intensity, red or green LEDs
- Fully-illuminated 6" characters with 3/4" stroke
- 120V or 277V, 60Hz input
- Standard finish: White
- 5 year warranty with separate 1 year pro-rated battery warranty
- Complete fixture series meets American Recovery and Reinvestment Act of 2009 (ARRA) requirements and Buy American provisions

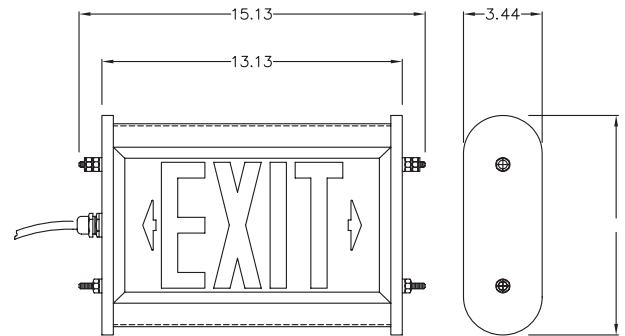
WET/HOSE DOWN LOCATION
LED EXIT

CHAMPION



EXIT SIGNS

DIMENSIONS



Specifications are subject to change without notice

ORDERING INFORMATION

Example: CP-W-1-R-WB-W-120-TRH

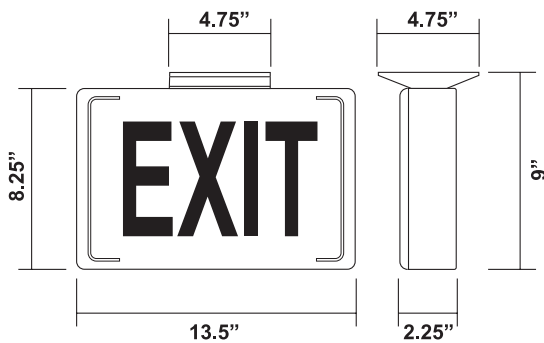
Series	Number of Faces	Face Color	Power Source	Finish	Input Voltage	Options (Factory Installed)
CP-W	1 = Single Face	R = Red	LB = AC Only	W = White	120 = 120VAC	TRH = Tamper Resistant Hardware
	2 = Double Face	G = Green	WB = With Battery		277 = 277VAC	

400 DIFFUSED DIE-CAST ALUMINUM LED EXIT



Alternate legends & custom configurations available - see page 84 for details!

DIMENSIONS



FEATURES

- Specification-grade exit with an enclosure constructed of precision die-cast aluminum
- Custom legends or pictures available
- ETL listed 90 minute emergency run time, 24 hour recharge time
- Flasher/buzzer options to meet ADA regulations
- Low voltage disconnect eliminates deep discharge
- Brown-out protection, overcharge protection, short circuit and voltage surge protection
- Maintenance-free NiCad battery
- Universal Mounting - Ceiling, back or end mount
- Constant, uniform illumination by long-life, high intensity, red or green LEDs
- Fully-illuminated 6" characters with 3/4" stroke
- Chevron-style, universal arrow knockouts
- Optional Guardian Self-Test/Self-Diagnostics (G2) available
- 120/277V dual primary, 60Hz input
- Standard finishes: Black, white or brushed aluminum
- 25 year warranty with separate 5 year pro-rated battery warranty
- Complete fixture series meets American Recovery and Reinvestment Act of 2009 (ARRA) requirements and Buy American provisions



Specifications are subject to change without notice

ORDERING INFORMATION

Example: 402-WB-BA-G2

Series	Power Source	Finish	Options (Factory Installed)	Accessories ³ (Field Installed)
402 = Red Single Face	LB = AC Only	BL = Black w/ Alum. Face	G2 = Self-Test/Self-Diagnostics	TRHT-8H-10H = Tamper Tool
403 = Red Double Face	WB = With Battery	BB = Black w/ Black Face	G2AA = Self-Test/Self-Diagnostics w/BZ	ER1-KIT = 1' Pendant Mount Kit
G402 = Green Single Face		WW = White w/ White Face	DL = LED Down Light	ER2-KIT = 2' Pendant Mount Kit
G403 = Green Double Face		BA = Brushed Alum. w/ Alum. Face	FL = Flasher	WG-1 = Wire Guard (Back Mount)
			BZ = Audible Alarm	WG-2 = Wire Guard (End Mount)
			FB = Flasher & Audible Alarm	WG-3 = Wire Guard (Ceiling Mount)
			A1 = Fire Alarm Interface w /FL	XG-1 = Poly Guard (Back Mount)
			A2 = Fire Alarm Interface w/ FB	XG-3 = Poly Guard (Ceiling Mount)
			2CI1 ¹ = 2 Circuit Input 120VAC	
			2CI7 ¹ = 2 Circuit Input 277VAC	
			2CI17 ¹ = Two Circuit Input 120/277VAC	
			FM = Flush Mount Kit	
			SS ² = Specialty Signs	
			MR2 = Remote Twin Unit	
			VL = Vandal Resistant Lens	
			TRH = Tamper Resistant Hardware	

¹ LB only, for use with inverter or generator applications only

² See page 84 for alternate legends and custom configurations

³ Order as separate line item

FEATURES

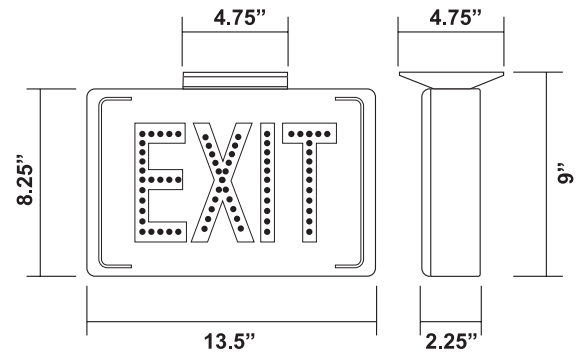
- Specification-grade exit with an enclosure constructed of precision die-cast aluminum
- 129 LEDs spelling for "EXIT", 7 LEDs for each arrow
- Solid 3/8" thick, vandal-resistant, polycarbonate lens
- Low voltage disconnect eliminates deep discharge
- Brown-out, short circuit and voltage surge protection
- Maintenance-free lead acid battery
- Optional NiCad battery available
- Universal Mounting - Ceiling, back or end mount
- ETL listed 90 minute emergency run time, 24 hour recharge time
- Constant, uniform illumination by long-life, high intensity, red or green LEDs
- Fully-illuminated 6" characters with 3/4" stroke
- Chevron-style, universal arrow knockouts
- Optional Guardian Self-Diagnostics available (G1)
- 120/277V dual primary, 60Hz input
- Standard finishes: Black, white or brushed aluminum
- 25 year warranty with separate 5 year pro-rated battery warranty
- Complete fixture series meets American Recovery and Reinvestment Act of 2009 (ARRA) requirements and Buy American provisions

DIRECT VIEW
DIE-CAST ALUMINUM LED EXIT **400D**



EXIT SIGNS

DIMENSIONS



Specifications are subject to change without notice

ORDERING INFORMATION

Example: 402D-WB-BA-G1

Series	Power Source	Finish	Options (Factory Installed)	Accessories ³ (Field Installed)
402D = Red Single Face	LB = AC Only	BL = Black w/ Alum. Face	G1 = Self-Diagnostics	TRHT-8H-10H = Tamper Tool
403D = Red Double Face	WB = With Battery	BB = Black w/ Black Face	DL = LED Down Light	ER1-KIT = 1' Pendant Mount Kit
G402D = Green Single Face	NC = NiCad Battery	WW = White w/ White Face	FL = Flasher	ER2-KIT = 2' Pendant Mount Kit
G403D = Green Double Face		BA = Brushed Alum. w/ Alum. Face	BZ = Audible Alarm	WG-1 = Wire Guard (Back Mount)
			FB = Flasher & Audible Alarm	WG-2 = Wire Guard (End Mount)
			A1 = Fire Alarm Interface w /FL	WG-3 = Wire Guard (Ceiling Mount)
			A2 = Fire Alarm Interface w/ FB	XG-1 = Poly Guard (Back Mount)
			2CI1 ¹ = 2 Circuit Input 120VAC	XG-3 = Poly Guard (Ceiling Mount)
			2CI7 ¹ = 2 Circuit Input 277VAC	
			2CI17 ¹ = Two Circuit Input 120/277VAC	
			FM = Flush Mount Kit	
			MR2 = Remote Twin Unit	
			TF ² = Extended Run Time (120 min)	
			TRH = Tamper Resistant Hardware	

¹ LB only, for use with inverter or generator applications only

² Unit flashes continuously in battery mode

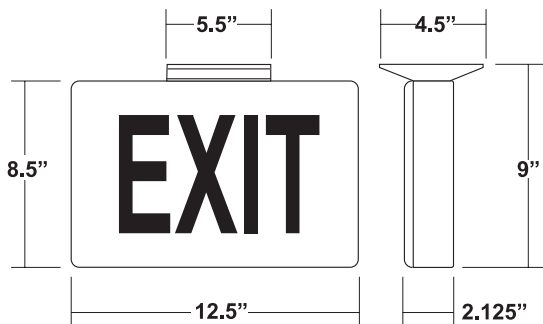
³ Order as separate line item

400U UNIVERSAL DIE-CAST ALUMINUM LED EXIT

EXIT SIGNS



DIMENSIONS



FEATURES

- Enclosure constructed of precision die-cast aluminum
- Universal style - includes 2 face plates, a back plate and mounting canopy
- Low voltage disconnect eliminates deep discharge
- Brown-out, short circuit and voltage surge protection
- Overcharge protection
- Maintenance-free NiCad battery
- Universal Mounting - Ceiling, back or end mount
- UL listed 90 minute emergency run time, 24 hour recharge time
- Constant, uniform illumination by long-life, high intensity, red or green LEDs
- Fully-illuminated 6" characters with 3/4" stroke
- Optional Guardian Self-Test/Self-Diagnostics (G2) available
- Suitable for damp location
- Chevron-style, universal arrow knockouts
- 120/277V dual primary, 60Hz input
- Standard finishes: Black, white or brushed aluminum
- 5 year warranty with separate 5 year pro-rated battery warranty
- Fixture series may be built to comply with the American Recovery and Reinvestment Act of 2009 (ARRA) requirements and Buy American provisions - call factory for details



Specifications are subject to change without notice

ORDERING INFORMATION

Example: 400U-WB-BA-G2

Series	Power Source	Finish	Options (Factory Installed)	Accessories ⁴ (Field Installed)
400S = Red Single Face	LB = AC Only	BL = Black w/ Alum. Face	G1 ² = Self Diagnostics	TRHT-8H-10H = Tamper Tool
G400S = Green Single Face	WB = With Battery	BB = Black w/ Black Face	G2 = Self-Test/Self-Diagnostics	WG-1 = Wire Guard (Back Mount)
400U ¹ = Red Universal		WH = White w/ Alum. Face	DL ² = LED Down Light	WG-2 = Wire Guard (End Mount)
G400U ¹ = Green Universal		WW = White w/ White Face	FL ² = Flasher	WG-3 = Wire Guard (Ceiling Mount)
		BA = Brushed Alum. w/ Alum. Face	BZ ² = Audible Alarm	XG-1 = Poly Guard (Back Mount)
			FB ² = Flasher & Audible Alarm	XG-3 = Poly Guard (Ceiling Mount)
			A1 ² = Fire Alarm Interface w /FL	
			A2 ² = Fire Alarm Interface w /FB	
			2CI ^{2,3} = 2 Circuit Input	
			220 = 220VAC, 50Hz Input	
			VL = Vandal Resistant Lens	
			TRH = Tamper Resistant Hardware	
			USA = Meets Buy American Requirements	

¹ Universal includes 2nd exit face and backplate

² Not available with G2 option

³ LB only, for use with inverter or generator applications only

⁴ Order as separate line item

FEATURES

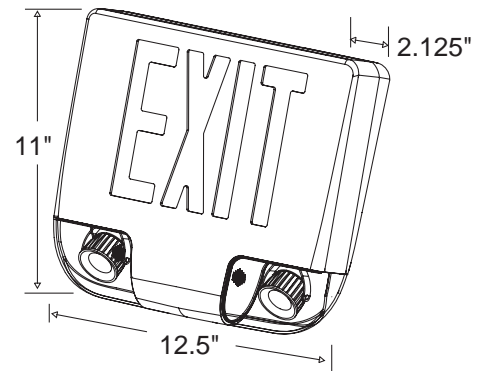
- The very first LED die-cast combo on the market; unique, new design provides a spec-grade die-cast EXIT sign with LED emergency lights in low-profile design using only 1.5 watts per lamp
- Enclosure constructed of precision die-cast aluminum
- Universal style - includes 2 face plates, a back plate and mounting canopy
- Each lamp head is protected by a polycarbonate shield
- Low voltage disconnect eliminates deep discharge
- Brown-out, short circuit and voltage surge protection
- Overcharge protection
- Maintenance-free NiCad battery
- Remote capable option provides this unit with an additional 3 watts of remote capacity for use with up to (2) HLED remote heads
- Universal Mounting - Ceiling, back or end mount
- UL listed 90 minute emergency run time, 24 hour recharge time
- Constant, uniform illumination by long-life, high intensity, red or green LEDs
- Fully-illuminated 6" characters with 3/4" stroke
- Chevron-style, universal arrow knockouts
- 120/277V dual primary, 60Hz input
- Standard finishes: Black, white or brushed aluminum
- 5 year warranty with separate 5 year pro-rated battery warranty

UNIVERSAL DIE-CAST ALUMINUM LED EXIT COMBO 400C



EXIT SIGNS

DIMENSIONS



Specifications are subject to change without notice

ORDERING INFORMATION

Example: 400C-U-BA

Series	Face	Finish	Options (Factory Installed)	Accessories ³ (Field Installed)
400C = Red LEDs	1 = Single Face	BL = Black w/ Alum. Face	R ² = Remote Capability	WG-1 = Wire Guard (Back Mount)
G400C = Green LEDs	U ¹ = Universal	BB = Black w/ Black Face		WG-2 = Wire Guard (End Mount)
		WW = White w/ White Face		WG-3 = Wire Guard (Ceiling Mount)
		BA = Brushed Alum. w/ Alum. Face		XG-6 = Poly Guard (Back Mount)

¹ Universal includes 2nd exit face and backplate

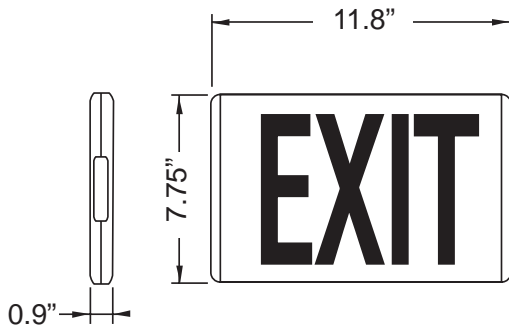
² 3 watts of remote capacity for use with up to (2) HLED remote heads

³ Order as separate line item

450 ULTRA-SLIM
DIE-CAST ALUMINUM LED EXIT



DIMENSIONS



FEATURES

- Architectural, spec-grade, ultra slim design - less than 1 inch deep
- Enclosure constructed of precision die-cast aluminum
- Low voltage disconnect eliminates deep discharge
- Maintenance-free NiCad battery
- Universal Mounting - Ceiling, back or end mount
- UL listed 90 minute emergency run time, 24 hour recharge time
- Constant, uniform illumination by long-life, high intensity, red or green LEDs
- Fully-illuminated 6" characters with 3/4" stroke
- Suitable for damp location
- Chevron-style, universal arrow knockouts
- 120/277V dual primary, 60Hz input
- Standard finishes: Black, white or brushed aluminum
- 5 year warranty with separate 5 year pro-rated battery warranty



Specifications are subject to change without notice

ORDERING INFORMATION

Example: 452-WB-BA

Series	Power Source	Finish	Accessories ¹ (Field Installed)
452 = Red Single Face	LB = AC Only	BB = Black w/ Black Face	WG-1 = Wire Guard (Back Mount)
453 = Red Double Face	WB = With Battery	WW = White w/ White Face	WG-2 = Wire Guard (End Mount)
G452 = Green Single Face		BA = Brushed Alum. w/ Alum. Face	WG-3 = Wire Guard (Ceiling Mount)
G453 = Green Double Face			XG-1 = Poly Guard (Back Mount)
			XG-3 = Poly Guard (Ceiling Mount)

¹ Order as separate line item

FEATURES

- Enclosure constructed of rugged 20 gauge steel
- Solid 1/8" thick, vandal-resistant, polycarbonate lens
- Remote capabilities (6 volt) - up to 18 watts
- Low voltage disconnect eliminates deep discharge
- Brown-out, short circuit and voltage surge protection
- Overcharge protection
- Flasher/buzzer options to meet ADA regulations
- Maintenance-free lead acid battery
- Optional NiCad battery available
- Universal mounting - ceiling or wall mount
- ETL listed 90 minute emergency run time, 24 hour recharge time
- Constant, uniform illumination by long-life, high intensity, red or green LEDs
- Fully-illuminated 6" characters with 3/4" stroke
- Optional Guardian Self-Diagnostics available (G1)
- Chevron-style, universal arrows
- 120/277V dual primary, 60Hz input
- Standard finishes: Black or white
- 25 year warranty with separate 5 year pro-rated battery warranty
- Complete fixture series meets American Recovery and Reinvestment Act of 2009 (ARRA) requirements and Buy American provisions



Specifications are subject to change without notice

ORDERING INFORMATION

Example: 502-WB-WH-DR-C3-EL2A

Series	Power Source	Finish	Options (Factory Installed)	EL Option (Single Face Only)
502 = Red Single Face	LB = AC Only	WH = White	G1 = Self-Diagnostics	EL2A ⁴ = PAR36 White Thermoplastic
503 = Red Double Face	WB = With Battery	BL = Black	DL = Downlight	EL2B ⁴ = PAR36 Black Thermoplastic
G502 = Green Single Face	NC ¹ = NiCad		DR = Damp Location Rated	EL2E ⁴ = PAR36 Chrome
G503 = Green Double Face			FL = Flasher	EL2F ⁴ = PAR36 White Aluminum
			BZ = Buzzer	EL2G ⁴ = PAR36 Black Aluminum
			FB = Flasher & Buzzer	EL0 = 18W Remote Capacity (No Lamps)
			A1 = Fire Alarm Interface w/FL Option	EL1 ⁵ = (1) Remote Lamp Head
			A2 = Fire Alarm Interface w/FB Option	REN-2 = (2) Renegade 3.6W LED Lamps
			Custom Color Faceplates (Option "C")	
			2C11 ² = 2 Circuit Input 120/120V	
			C3 = Black Face w/Red Letters	Accessories⁶ (Field Installed)
			2C17 ² = 2 Circuit Input 277/277V	TRHT-6H = Tamper Tool
			C4 = Black Face w/Green Letters	ER1-KIT = 1' Pendant Mount Kit
			2C117 ² = 2 Circuit Input 120/277V	ER2-KIT = 2' Pendant Mount Kit
			C6 = White Face w/Red Letters	WG-1 = Wire Guard (Back Mount)
			TF ³ = Extended Run Time Battery	WG-2 = Wire Guard (End Mount)
			TRH = Tamper Resistant Hardware	WG-3 = Wire Guard (Ceiling Mount)
			C9 = Brushed Chrome Face w/Black Letters	WG-5 = Wire Guard EL w/Side Mounted Lamps (Back Mount)
			C10 = White Face w/Green Letters	WG-6 = Wire Guard EL w/Top Mounted Lamps (Back Mount)
			C = Custom Color Faceplates	XG-1 = Poly Guard (Back Mount)
				XG-3 = Poly Guard (Ceiling Mount)
				XG-EL90 = Poly Guard EL w/Side Mounted Lamps (Back Mount)
				XG-6 = Poly Guard EL w/Top Mounted Lamps (Back Mount)

¹ Not available with EL option

² LB only, for use with inverter or generator applications only

³ Continuously flashes in emergency (DC) mode - not available with EL option

⁴ Includes (2) 6V/5.4W PAR36 lamps

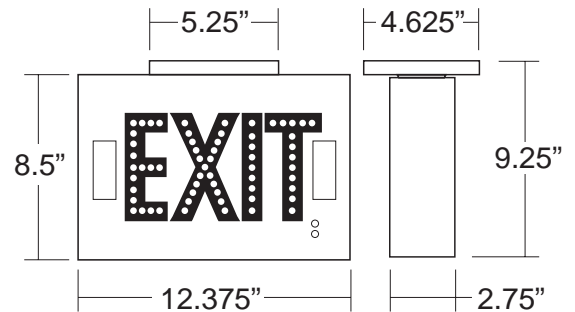
⁵ Consult factory

⁶ Order as separate line item

DIRECT VIEW
STEEL LED EXIT 500



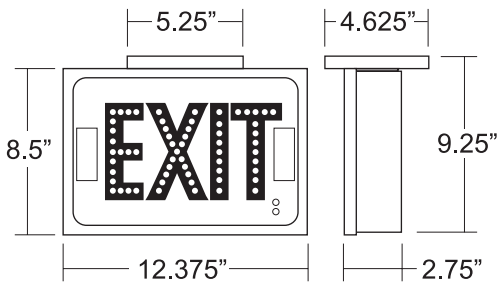
DIMENSIONS



600 DIRECT VIEW STEEL LED EXIT



DIMENSIONS



FEATURES

- Same great features as the 500 series with an attractive steel cover
- Enclosure constructed of rugged 20 gauge steel
- Solid 1/8" thick, vandal-resistant, polycarbonate lens
- Remote capabilities (6 volt) - up to 18 watts
- Low voltage disconnect eliminates deep discharge
- Brown-out, short circuit and voltage surge protection
- Overcharge protection
- Flasher/buzzer options to meet ADA regulations
- Maintenance-free lead acid battery
- Optional NiCad battery available
- Universal Mounting - Ceiling or wall mount
- ETL listed 90 minute emergency run time, 24 hour recharge time
- Uniform illumination by long-life high intensity red or green LEDs
- Fully-illuminated 6" characters with 3/4" stroke
- Optional Guardian Self-Diagnostics available (G1)
- Chevron-style, universal arrows
- 120/277V dual primary, 60Hz input
- Standard finishes: Black or white
- 25 year warranty with separate 5 year pro-rated battery warranty
- Complete fixture series meets American Recovery and Reinvestment Act of 2009 (ARRA) requirements and Buy American provisions



Specifications are subject to change without notice

ORDERING INFORMATION

Example: 602-WB-WH-DR-C3-EL2A

Series	Power Source	Finish	Options (Factory Installed)	EL Option (Single Face Only)
602 = Red Single Face	LB = AC Only	WH = White	G1 = Self-Diagnostics	EL2A ⁴ = PAR36 White Thermoplastic
603 = Red Double Face	WB = With Battery	BL = Black	DL = Downlight	EL2B ⁴ = PAR36 Black Thermoplastic
G602 = Green Single Face	NC ¹ = NiCad		DR = Damp Location Rated	EL2E ⁴ = PAR36 Chrome
G603 = Green Double Face			FL = Flasher	EL2F ⁴ = PAR36 White Aluminum
			BZ = Buzzer	EL2G ⁴ = PAR36 Black Aluminum
			FB = Flasher & Buzzer	EL0 = 18W Remote Capacity (No Lamps)
			A1 = Fire Alarm Interface w/FL Option	EL1 ⁵ = (1) Remote Lamp Head
			A2 = Fire Alarm Interface w/FB Option	REN-2 = (2) Renegade 3.6W LED Lamps
			2C11 ² = 2 Circuit Input 120/120V	
			2C17 ² = 2 Circuit Input 277/277V	
			2C117 ² = 2 Circuit Input 120/277V	
			TF ³ = Extended Run Time Battery	
			TRH = Tamper Resistant Hardware	
			C = Custom Color Faceplates	
Custom Color Faceplates (Option "C")				
C3 = Black Face w/Red Letters				Accessories⁶ (Field Installed)
C4 = Black Face w/Green Letters				TRHT-6H = Tamper Tool
C6 = White Face w/Red Letters				ER1-KIT = 1' Pendant Mount Kit
C9 = Brushed Chrome Face w/Black Letters				ER2-KIT = 2' Pendant Mount Kit
C10 = White Face w/Green Letters				WG-1 = Wire Guard (Back Mount)
				WG-2 = Wire Guard (End Mount)
				WG-3 = Wire Guard (Ceiling Mount)
				WG-5 = Wire Guard EL w/Side Mounted Lamps (Back Mount)
				WG-6 = Wire Guard EL w/Top Mounted Lamps (Back Mount)
				XG-1 = Poly Guard (Back Mount)
				XG-3 = Poly Guard (Ceiling Mount)
				XG-EL90 = Poly Guard EL w/Side Mounted Lamps (Back Mount)
				XG-6 = Poly Guard EL w/Top Mounted Lamps (Back Mount)

¹ Not available with EL option
² LB only, for use with inverter or generator applications only
³ Continuously flashes in emergency (DC) mode - not available with EL option
⁴ Includes (2) 6V/5.4W PAR36 lamps
⁵ Consult factory
⁶ Order as separate line item

FEATURES

- Full enclosure constructed of rugged 20 gauge steel
- Custom legends or pictures available
- Remote capabilities (6 volt) - up to 18 watts
- Low voltage disconnect eliminates deep discharge
- Brown-out, short circuit and voltage surge protection
- Overcharge protection
- Flasher/buzzer options to meet ADA regulations
- Maintenance-free lead acid battery
- Optional NiCad battery available
- Universal Mounting - Ceiling or wall mount
- ETL listed 90 minute emergency run time, 24 hour recharge time
- Constant, uniform illumination by long-life, high intensity, red or green LEDs
- Fully-illuminated 6" characters with 3/4" stroke
- Optional Guardian Self-Test/Self-Diagnostics (G2) available
- Chevron-style, universal arrow
- 120/277V dual primary, 60Hz input
- Standard finishes: Black or white
- 25 year warranty with separate 5 year pro-rated battery warranty
- Complete fixture series meets American Recovery and Reinvestment Act of 2009 (ARRA) requirements and Buy American provisions



Specifications are subject to change without notice

ORDERING INFORMATION

Example: 702-WB-BL-G2-EL2B

Series	Power Source	Finish	Options (Factory Installed)	EL Option ⁴ (Single Face Only)
702 = Red Single Face	LB = AC Only	WH = White	G2 = Self-Test/Self-Diagnostics	EL2A ⁵ = PAR36 White Thermoplastic
703 = Red Double Face	WB ¹ = NiCad Battery	BL = Black	DL = LED Down Light	EL2B ⁵ = PAR36 Black Thermoplastic
G702 = Green Single Face			FL = Flasher	EL2E ⁵ = PAR36 Chrome
G703 = Green Double Face			BZ = Audible Alarm	EL2F ⁵ = PAR36 White Aluminum
			FB = Flasher & Audible Alarm	EL2G ⁵ = PAR36 Black Aluminum
			A1 = Fire Alarm Interface w /FL	EL0 = 18W Remote Capacity (No Lamps)
			A2 = Fire Alarm Interface w/ FB	REN-2 = (2) Renegade 3.6W LED Lamps
			DR = Damp Location Rated	
			2CI1 ² = 2 Circuit Input 120VAC	Accessories⁶ (Field Installed)
			2CI7 ² = 2 Circuit Input 277VAC	TRHT-6H = Tamper Tool
			2CI17 ² = Two Circuit Input 120/277VAC	ER1-KIT = 1' Pendant Mount Kit
			MR1 = 1" Remote Steel Unit	ER2-KIT = 2' Pendant Mount Kit
			MR2 = Remote Twin Unit	WG-1 = Wire Guard (Back Mount)
			TRH = Tamper Resistant Hardware	WG-2 = Wire Guard (End Mount)
			SS ³ = Specialty Signs	WG-3 = Wire Guard (Ceiling Mount)
				WG-5 = Wire Guard EL w/Side Mounted Lamps (Back Mount)
				WG-6 = Wire Guard EL w/Top Mounted Lamps (Back Mount)
				XG-1 = Poly Guard (Back Mount)
				XG-3 = Poly Guard (Ceiling Mount)
				XG-EL90 = Poly Guard EL w/Side Mounted Lamps (Back Mount)
				XG-6 = Poly Guard EL w/Top Mounted Lamps (Back Mount)

¹ EL option utilizes sealed lead acid battery

² LB only, for use with inverter or generator applications only

³ Consult factory for alternate legends and custom configurations

⁴ Utilizes sealed lead acid battery

⁵ Includes (2) 6V/5.4W PAR36 lamps

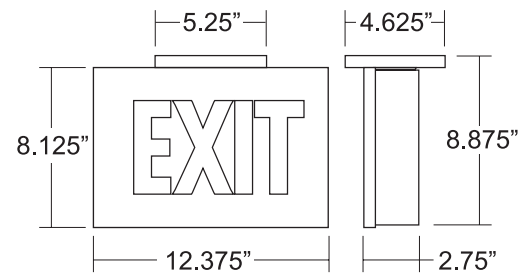
⁶ Order as separate line item

DIFFUSED
STEEL LED EXIT 700



Alternate legends & custom configurations available - see page 84 for details!

DIMENSIONS

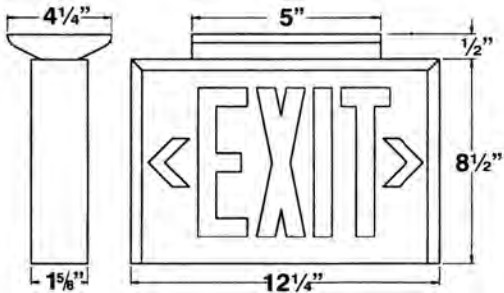


VEX-S UNIVERSAL STEEL LED EXIT



EXIT SIGNS

DIMENSIONS



FEATURES

- Enclosure constructed of 22 gauge welded steel
- Universal style - includes 2 face plates, a back plate and mounting canopy
- Charge rate/power "ON" LED indicator light with test button
- Low voltage disconnect eliminates deep discharge
- Brown-out, short circuit and voltage surge protection
- Maintenance-free NiCad battery
- Universal Mounting - Ceiling, wall or end mount
- UL listed 90 minute emergency run time, 24 hour recharge time
- Constant, uniform illumination by long-life, high intensity, red or green LEDs
- Fully-illuminated 6" characters with 3/4" stroke
- Optional damp rating available
- Chevron-style, universal arrow knockouts
- 120/277V dual primary, 60Hz input
- Standard finishes: Black or white
- 3 year warranty with separate 5 year pro-rated battery warranty
- Fixture series may be built to comply with the American Recovery and Reinvestment Act of 2009 (ARRA) requirements and Buy American provisions - call factory for details



Specifications are subject to change without notice

ORDERING INFORMATION

Example: VEX-U-S-WB-WH-DR

Series	Style	Housing Type	Power Source	Finish	Options (Factory Installed)
VEX = Red	U ¹ = Universal	S = Steel	LB = AC Only	WH = White	DR = Damp Location Rated
GVEX = Green			WB = With Battery	BL = Black	USA = Meets Buy American Requirements
					Accessories² (Field Installed)
					WG-1 = Wire Guard (Back Mount)
					WG-2 = Wire Guard (End Mount)
					WG-3 = Wire Guard (Ceiling Mount)
					XG-1 = Poly Guard (Back Mount)
					XG-3 = Poly Guard (Ceiling Mount)

¹ Universal includes 2nd exit face and backplate

² Order as separate line item

FEATURES

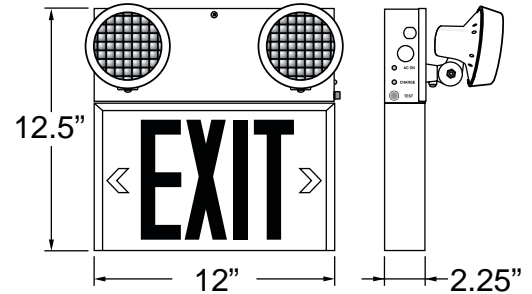
- Enclosure constructed of 22 gauge welded steel
- Universal style - includes 2 face plates, a back plate and mounting canopy
- Charge rate/power "ON" LED indicator light with test button
- Low voltage disconnect eliminates deep discharge
- Brown-out, short circuit and voltage surge protection
- Maintenance-free NiCad battery
- Universal Mounting - Ceiling, wall or end mount
- ETL listed 90 minute emergency run time, 24 hour recharge time
- Constant, uniform illumination by long-life, high intensity, red or green LEDs
- Fully-illuminated 6" characters with 3/4" stroke
- Optional time delay feature available
- Chevron-style, universal arrow knockouts
- 120/277V dual primary, 60Hz input
- Standard finishes: Black or white
- 3 year warranty with separate 5 year pro-rated battery warranty
- Fixture series may be built to comply with the American Recovery and Reinvestment Act of 2009 (ARRA) requirements and Buy American provisions - call factory for details

UNIVERSAL STEEL EXIT COMBO **VEX-S**



EXIT SIGNS

DIMENSIONS



Specifications are subject to change without notice

ORDERING INFORMATION

Example: VEX-U-S-6-18-T0607-2-WH-TA

Series	Style	Housing Type	Volts/Watts/Lamps	Finish	Options (Factory Installed)
VEX = Red	U ¹ = Universal	S = Steel	6-12-T0605-2 = 6V/12W (2) 5.4W Lamps	WH = White	A1 = Fire Alarm Interface
GVEX = Green			6-18-T0607-2 = 6V/18W (2) 7.2W Lamps	BL = Black	TA = 120VAC Time Delay
			6-27-T0609-2 = 6V/27W (2) 9W Lamps		TB = 277VAC Time Delay
			6-12-REN-2-2 = (2) Renegade 3.6W LED Lamps		USA = Meets Buy American Requirements
					Accessories² (Field Installed)
					WG-6 = Wire Guard (Back Mount)
					XG-6 = Poly Guard (Back Mount)

¹ Universal includes 2nd exit face and backplate

² Order as separate line item

CT900 WHEELCHAIR ACCESSIBLE SURFACE OR RECESSED LED EDGE-LIT EXIT

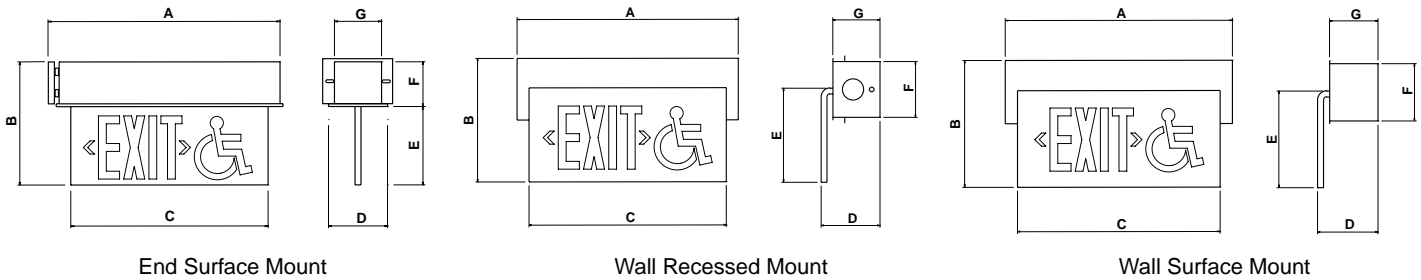
EXIT SIGNS



FEATURES

- Meets State of Connecticut Emergency Building Code requirements (Para. 1011.1.2)
- Rugged 20 gauge steel back box, trim plate and enclosure
- Panel includes "EXIT" wording with the ADA compliant, universal wheelchair accessible symbol
- Recessed and surface mount
- Charge rate/power "ON" LED indicator light with test button
- Maintenance-free NiCad battery
- ETL listed 90 minute emergency run time, 24 hour recharge time
- Exit face is illuminated by long-life, high intensity, red or green LEDs
- Field applicable chevrons provided
- Universal Mounting - Ceiling, back or end mount
- 120/277V dual primary, 60Hz input
- Standard finish: White or Brushed Aluminum
- 3 year warranty with separate 3 year pro-rated battery warranty

DIMENSIONS



Series	A"	B"	C"	D"	E"	F"	G"
End Surface Mount	19 ¹ / ₂ "	11 ¹ / ₄ "	17 ¹ / ₂ "	4 ¹ / ₂ "	7 ¹ / ₄ "	4"	4"
Wall Recessed Mount	21 ¹ / ₂ "	10"	17 ¹ / ₂ "	5 ¹ / ₂ "	8"	4"	4"
Wall Surface Mount	19 ¹ / ₂ "	10"	17 ¹ / ₂ "	5 ¹ / ₂ "	8"	4"	4"



Specifications are subject to change without notice

ORDERING INFORMATION

Example: CT902-SC-WB-RW-WH-TF

Series	Mounting	Power Source	Panel Color	Finish	Options (Factory Installed)
CT902 = Single Face	SC = Surface Ceiling	LB = AC Only	RC = Red Letters/Clear Panel	WH = White	IP = Inverted Panel
CT903 = Double Face	WS = Surface Wall	WB = With Battery	RW = Red Letters/White Panel	BA = Brushed Alum.	TF = 120 Min Run Time
	ES = Surface End		RM = Red Letters/Mirror Panel		
	RC = Recessed Ceiling		GC = Green Letters/Clear Panel		
	WR ¹ = Wall Recessed		GW = Green Letters/White Panel		Accessories² (Field Installed)
			GM = Green Letters/Mirror Panel		ER1-KIT = 1' Pendant Mount

¹ Single face units only

² Order as separate line item

FEATURES

- Meets State of Connecticut Emergency Building Code requirements (Para. 1011.1.2)
- Cylindrical design with “quick slide” adjustment from ceiling to wall mount for easy installation
- Attractive aluminum extrusion design
- Panel includes “EXIT” wording with the ADA compliant, universal wheelchair accessible symbol
- Optional photo-luminescent panel for additional versatility in applications
- Charge rate/power “ON” LED indicator light with test button
- Maintenance-free NiCad battery
- ETL listed 90 minute emergency run time, 24 hour recharge time
- Exit face is illuminated by long-life, high intensity, red or green LEDs
- Field applicable chevrons provided
- Universal Mounting - Ceiling, back or end mount
- 120/277V dual primary, 60Hz input
- Standard finishes: White
- 3 year warranty with separate 3 year pro-rated battery warranty



Specifications are subject to change without notice

ORDERING INFORMATION

Example: CTC902-S-WB-RC-WH

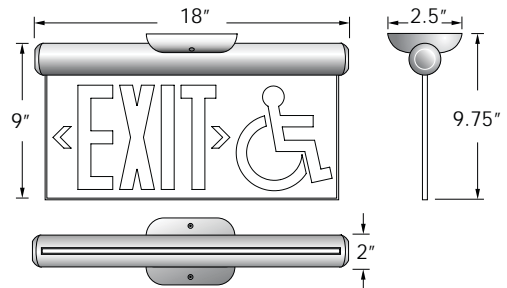
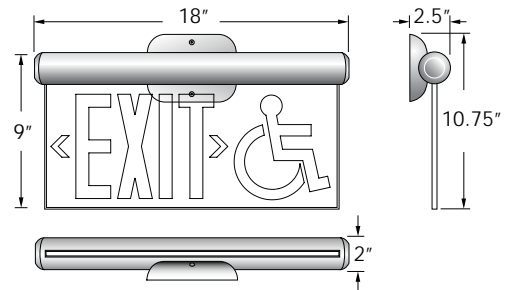
Series	Mounting	Power Source	Panel Color	Enclosure Color
CTC902 = Single Face	S = Surface Ceiling or Wall	LB = AC Only	RC = Red Letters/Clear Panel	WH = White
CTC903 = Double Face	ES = Surface End Mount	WB = With Battery	RW = Red Letters/White Panel	
			RM = Red Letters/Mirror Panel	
			GC = Green Letters/Clear Panel	
			GW = Green Letters/White Panel	
			GM = Green Letters/Mirror Panel	

WHEELCHAIR ACCESSIBLE SURFACE MOUNT LED EDGE-LIT EXIT CTC900



EXIT SIGNS

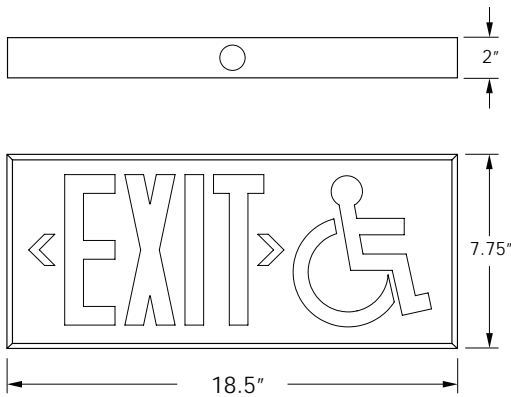
DIMENSIONS



CT400 WHEELCHAIR ACCESSIBLE EXTRUDED ALUMINUM LED EXIT



DIMENSIONS



FEATURES

- Meets State of Connecticut Emergency Building Code requirements (Para. 1011.1.2)
- Attractive aluminum extrusion design
- Face includes "EXIT" wording with the ADA compliant, universal wheelchair accessible symbol
- Charge rate/power "ON" LED indicator light with test button
- Extended 120 minute run time battery available
- Maintenance-free NiCad battery
- ETL listed 90 minute emergency run time, 24 hour recharge time
- Exit face is illuminated by long-life, high intensity, red or green LEDs
- Chevron-style, universal arrow knockouts
- Universal Mounting - Ceiling, back or end mount
- 120/277V dual primary, 60Hz input
- Standard finishes: Black or white
- 3 year warranty with separate 3 year pro-rated battery warranty



Specifications are subject to change without notice

ORDERING INFORMATION

Example: CT403-WB-WH-TF

Series	Power Source	Finish	Options (Factory Installed)
CT402 = Red Single Face	LB = AC Only	WH = White	2C11 ² = 2 Circuit Input 120VAC
CT403 = Red Double Face	WB = With Battery	BL = Black	TF = 120 Min Run Time
GCT402 = Green Single Face			
GCT403 = Green Double Face			
CT400 ¹ = Red Universal			Accessories³ (Field Installed)
GCT400 ¹ = Green Universal			ER1-KIT = 1' Pendant Mount

¹ Includes (2) faceplates, back plate and mounting canopy
² LB only, for use with inverter or generator applications only
³ Order as separate line item

FEATURES

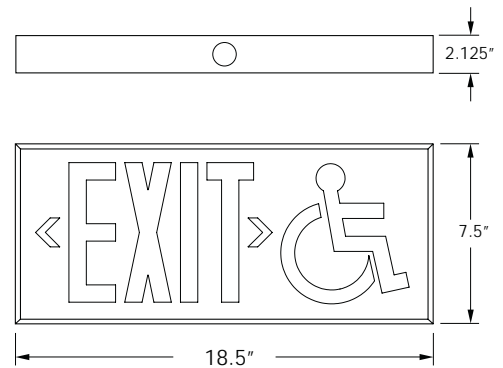
- Meets State of Connecticut Emergency Building Code requirements (Para. 1011.1.2)
- Enclosure constructed of rugged 20 gauge steel
- Face includes "EXIT" wording with the ADA compliant, universal wheelchair accessible symbol
- Charge rate/power "ON" LED indicator light with test button
- Maintenance-free NiCad battery
- ETL listed 90 minute emergency run time, 24 hour recharge time
- Exit face is illuminated by long-life, high intensity, red or green LEDs
- Chevron-style, universal arrow knockouts
- Universal Mounting - Ceiling, back or end mount
- 120/277V dual primary, 60Hz input
- Standard finishes: Black or white
- 3 year warranty with separate 3 year pro-rated battery warranty

WHEELCHAIR ACCESSIBLE
STEEL LED EXIT CT700



EXIT SIGNS

DIMENSIONS



Specifications are subject to change without notice

ORDERING INFORMATION

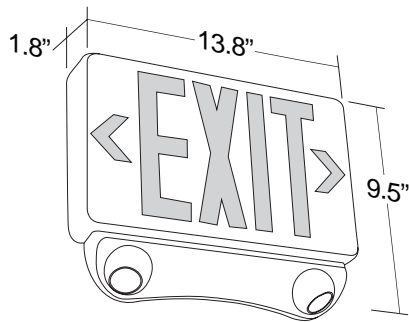
Example: CT703-WB-WH

Series	Power Source	Finish
CT702 = Red Single Face	LB = AC Only	WH = White
CT703 = Red Double Face	WB = With Battery	BL = Black
GCT702 = Green Single Face		
GCT703 = Green Double Face		

TEMPO CONTEMPORARY LED EXIT COMBO



DIMENSIONS



FEATURES

- Contemporary, low-profile, streamlined design
- Fully-adjustable, high-intensity LED lamp heads
- Total power consumption is only 2.8 watts
- Completely universal, includes 2nd exit face, backplate and canopy
- Rugged, injection-molded UL94 V-0 flame retardant, high-temperature thermoplastic housing
- External LED status indicator and test button
- Low voltage disconnect eliminates deep discharge
- Maintenance-free NiCad battery
- Universal J-Box mounting system - ceiling, wall or end mount
- UL listed 90 minute emergency run time, 24 hour recharge time
- Fully-illuminated 6" characters with 3/4" stroke
- Optional Guardian Self-Test/Self-Diagnostics (G2) available
- Suitable for damp locations
- Chevron-style, universal arrow knockouts
- 120/277V dual primary, 60Hz input
- Standard finishes: Black or white
- 2 year warranty with separate 2 year pro-rated battery warranty



Specifications are subject to change without notice

ORDERING INFORMATION

Example: TEM-WB-WH-G2

Series	Battery	Finish	Options (Factory Installed)	Accessories ¹ (Field Installed)
TEM = Red	WB = With Battery	WH = White	G2 = Self-Test/Self-Diagnostics	WG-1 = Wire Guard (Back Mount)
GTEM = Green		BL = Black		WG-2 = Wire Guard (End Mount)
				WG-3 = Wire Guard (Ceiling Mount)
				XG-6 = Poly Guard (Back Mount)
				WPV-1 = Wet Location/Vandal Guard (Back Mount)

¹ Order as separate line item

FEATURES

- Unique, adjustable “Light Bar” emergency lighting with ultra-bright, energy efficient white LEDs
- Total power consumption is only 1.5 watts
- Compact, low profile design
- Easy to install, snap together design
- Rugged, injection-molded UL94 V-0 flame retardant, high-temperature thermoplastic housing
- Remote capable - up to 2 CLED remote heads
- Universal style - includes 2 face plates, a back plate and mounting canopy
- Charge rate/power “ON” LED indicator light with test button
- Low voltage disconnect eliminates deep discharge
- Brown-out, short circuit and voltage surge protection
- Overcharge protection
- Maintenance-free NiCad battery
- Universal J-Box mounting system - Ceiling, wall or end mount
- UL listed 90 minute emergency run time, 24 hour recharge time
- Constant, uniform illumination by long-life, high intensity, red or green LEDs
- Fully-illuminated 6” characters with 3/4” stroke
- Optional Guardian Self-Test/Self-Diagnostics (G2) available
- Chevron-style, universal arrow knockouts
- 120/277V dual primary, 60Hz input
- Standard finishes: Black or white
- Suitable for damp location
- 3 year warranty with separate 5 year pro-rated battery warranty



Specifications are subject to change without notice

ORDERING INFORMATION

Example: CLED-U-WH-G2

Series	Style	Finish	Options (Factory Installed)	Accessories ² (Field Installed)
CLED = Red	1 = Single Face	WH = White	G2 = Self-Test/Self-Diagnostics	WG-1 = Wire Guard (Back Mount)
GCLED = Green	U ¹ = Universal	BL = Black		WG-2 = Wire Guard (End Mount)
				WG-3 = Wire Guard (Ceiling Mount)
				XG-6 = Poly Guard (Back Mount)

¹ Universal includes 2nd exit face and backplate

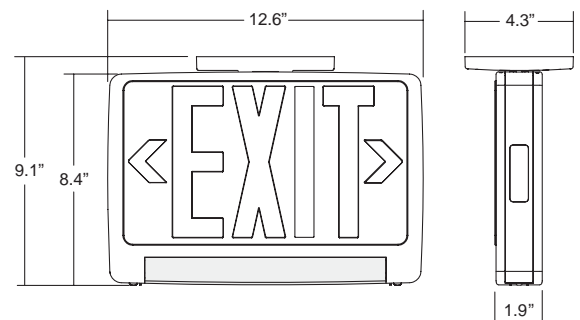
² Order as separate line item

LED LIGHT BAR
LED COMBO

REVOLUTION



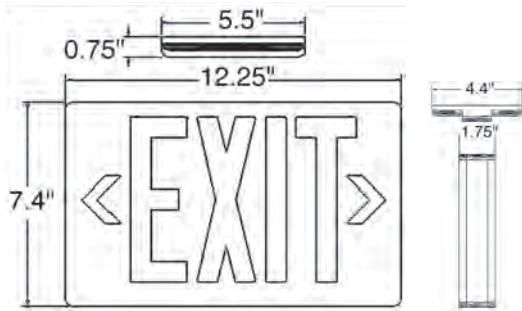
DIMENSIONS





Alternate legends & custom configurations available - see page 84 for details!

DIMENSIONS



FEATURES

- Compact, low profile design
- Easy to install, snap together design
- Rugged, injection-molded UL94 V-0 flame retardant, high-temperature thermoplastic housing
- Remote capabilities (6 volt) up to 27 watts - Sealed lead calcium battery standard with remote option
- Universal style includes 2 face plates, back plate and mounting canopy and can be ceiling, wall or end mounted
- Low voltage disconnect eliminates deep discharge
- Brown-out, short circuit and voltage surge protection
- Overcharge protection
- Maintenance-free NiCad battery
- ETL listed 90 minute emergency run time, 24 hour recharge time
- Constant, uniform illumination by long-life, high intensity, red or green LEDs
- Fully-illuminated 6" characters with 3/4" stroke
- Optional Guardian Self-Test/Self-Diagnostics (G2) available
- Chevron-style, universal arrow knockouts
- 120/277V dual primary, 60Hz input
- Standard finishes: Black or white
- Suitable for damp location
- 5 year warranty with separate 5 year pro-rated battery warranty
- Fixture series may be built to comply with the American Recovery and Reinvestment Act of 2009 (ARRA) requirements and Buy American provisions - call factory for details



Specifications are subject to change without notice

ORDERING INFORMATION

Example: VEX-U-BP-WB-WH-G2

Series	Style	Housing Type	Power Source	Finish	Options (Factory Installed)	Accessories ⁶ (Field Installed)
VEX = Red	U ¹ = Universal	BP = Plastic	LB = AC Only	WH = White	G1 ² = Self-Diagnostics	ER1-KIT = 1' Pendant Mount Kit
GVEX = Green			WB = With Battery	BL = Black	G2 ² = Self-Test/Self-Diagnostics	ER2-KIT = 2' Pendant Mount Kit
					DL ³ = LED Down Light	VEPA = Pendant Adapter
					FL ³ = Flasher	WG-1 = Wire Guard (Back Mount)
					BZ ³ = Audible Alarm	WG-2 = Wire Guard (End Mount)
					FB ³ = Flasher & Audible Alarm	WG-3 = Wire Guard (Ceiling Mount)
					A1 ³ = Fire Alarm Interface w /FL	XG-1 = Poly Guard (Back Mount)
					A2 ³ = Fire Alarm Interface w/ FB	XG-3 = Poly Guard (Ceiling Mount)
					2CI ⁴ = 2 Circuit Input	
					R6 ⁵ = 6 Watts Remote Capacity	
					R12 = 12 Watts Remote Capacity	
					R27 = 27 Watts Remote Capacity	
					220 = 220VAC, 50Hz Input	
					SS ⁶ = Specialty Signs	
					USA = Meets Buy America Requirements	

¹ Universal includes 2nd exit face and backplate

² Not available with any other options

³ Not available on units with remote capacity

⁴ LB only, for use with inverter or generator applications only

⁵ R6 option will power up to (4) CLED remote heads only

⁶ See page 84 for alternate legends and custom configurations

⁷ Order as separate line item

FEATURES

- LED combo exit where each of the heads contain 8 long lasting, efficient, ultra-bright white LEDs using 1.1 watts per head
- Easy to install, snap together design
- Rugged, injection-molded UL94 V-0 flame retardant, high-temperature thermoplastic housing
- Remote capable - up to 2 CLED remote heads
- Universal style - includes 2 face plates, a back plate and mounting canopy
- Charge rate/power "ON" LED indicator light with test button
- Low voltage disconnect eliminates deep discharge
- Brown-out, short circuit and voltage surge protection
- Overcharge protection
- Maintenance-free NiCad battery
- Universal J-Box mounting system - Ceiling or wall mount
- UL listed 90 minute emergency run time, 24 hour recharge time
- Constant, uniform illumination by long-life, high intensity, red or green LEDs
- Fully-illuminated 6" characters with 3/4" stroke
- Optional Guardian Self-Test/Self-Diagnostics (G2) available
- Chevron-style, universal arrow knockouts
- 120/277V dual primary, 60Hz input
- Standard finishes: Black or white
- Suitable for damp location
- 3 year warranty with separate 5 year pro-rated battery warranty



Specifications are subject to change without notice

ORDERING INFORMATION

Example: VLED-U-WH-EL90-G2

Series	Style	Finish	Type	Options (Factory Installed)	Accessories ³ (Field Installed)
VLED = Red	1 = Single Face	WH = White	EL90 = LED Lamps	G2 = Self-Test/Self-Diagnostics	WG-5 = Wire Guard (Back Mount)
GVLED = Green	U ¹ = Universal	BL = Black		R ² = Remote Capability	XG-EL90 = Poly Guard (Back Mount)

¹ Universal includes 2nd exit face and backplate

² For use with single or double CLED remote lamps only

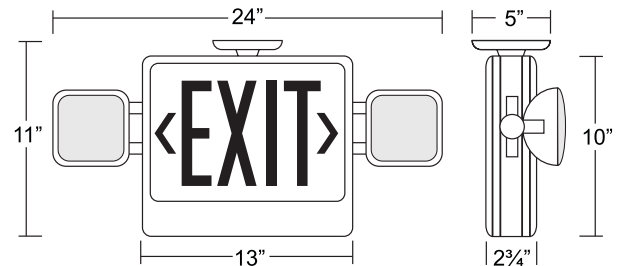
³ Order as separate line item

THERMOPLASTIC
LED COMBO - LED LAMPS

VLED-EL90

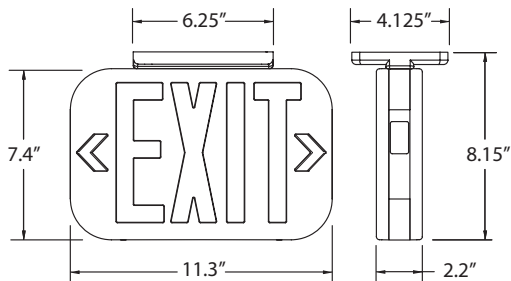


DIMENSIONS





DIMENSIONS



FEATURES

- Ultra-compact, low-profile design
- Easy to install, snap together design
- Rugged, injection-molded UL94 V-0 flame retardant, high-temperature thermoplastic housing
- Universal style - includes 2 face plates, a back plate and mounting canopy
- Brown-out, short circuit and voltage surge protection
- Overcharge protection
- Maintenance-free NiCad battery
- Universal J-Box mounting system - Ceiling, wall or end mount
- ETL listed 90 minute emergency run time, 24 hour recharge time
- Constant, uniform illumination by long-life, high intensity, red or green LEDs
- Fully-illuminated 6" characters with 3/4" stroke
- Chevron-style, universal arrow knockouts
- 120/277V dual primary, 60Hz input
- Standard finishes: Black or white
- Suitable for damp location
- 1 year warranty with separate 5 year pro-rated battery warranty



Specifications are subject to change without notice

ORDERING INFORMATION

Example: ILX-R-EM-WH

Series	LED Color	Power Source	Finish	Accessories ² (Field Installed)
ILX ¹	R = Red	EM = NiCad Battery	WH = White	ER1-KIT = 1' Pendant Mount Kit
	G = Green		BL = Black	ER2-KIT = 2' Pendant Mount Kit
				ILPA = Pendant Adapter
				WG-1 = Wire Guard (Back Mount)
				WG-2 = Wire Guard (End Mount)
				WG-3 = Wire Guard (Ceiling Mount)
				XG-1 = Poly Guard (Back Mount)
				XG-3 = Poly Guard (Ceiling Mount)

¹ Includes 2nd exit face and backplate

² Order as separate line item

FEATURES

- Reliable illumination - requiring no additional electricity to operate
- Ultra-compact, low-profile design
- Designed for both high- or low-level installations
- Non-toxic, non-radioactive materials
- Low cost - easy installation
- Requires virtually no maintenance with periodic inspections for over 25 years
- Available in ceiling, back or end mount
- Constant, uniform illumination - visible at 50 feet in total blackout or heavy smoke conditions
- Available in framed and unframed faces with colors: red, green, black or white

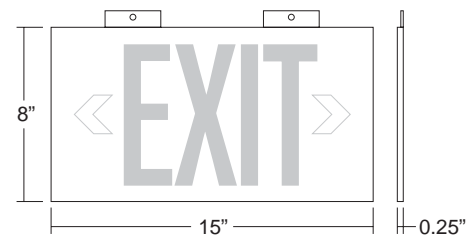
PHOTOLUMINESCENT FRAMED OR UNFRAMED EXIT EXI-GLOW



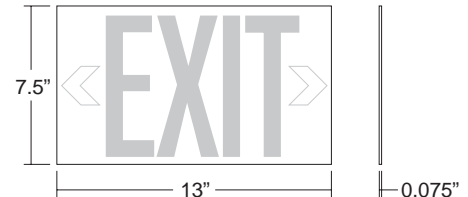
EXIT SIGNS

DIMENSIONS

FRAMED



UNFRAMED



Specifications are subject to change without notice

ORDERING INFORMATION

FRAMED FACES Example: PL-1-F-1-B

Exit Black	Exit Red	Exit Green	Exit White	Sortie Red	
PL-1-F-1-B	PL-1-F-1-R	PL-1-F-1-G	PL-1-F-1-W	PL-1-F-1-R-S	Single Face Sign (Wall Mount)
PL-1-F-2-B	PL-1-F-2-R	PL-1-F-2-G	PL-1-F-2-W	PL-1-F-2-R-S	Single Face Sign w/ Mounting Bracket
PL-2-F-2-B	PL-2-F-2-R	PL-2-F-2-G	PL-2-F-2-W	PL-2-F-2-R-S	Double Face Sign w/ Mounting Bracket
PL-MB-B	PL-MB-R	PL-MB-G	PL-MB-W	PL-MB-R	Mounting Bracket
PL-CMC					Clear Mounting Clip (4 pc/bag & 10 bag/case)

UNFRAMED FACES Example: PL-1-U-1-R

Exit Red	Exit Green	Sortie Red	
PL-1-U-1-R	PL-1-U-1-G	PL-1-U-1-R	Single Face Sign (Wall Mount)
PL-1-U-1-R-RL	PL-1-U-1-G-RL		Single Face Sign w/ Reflective Letters (Wall Mount)
PL-1-U-1-R-NY			Single Face Sign w/ 8" Printed Letters for NYC (Wall Mount)

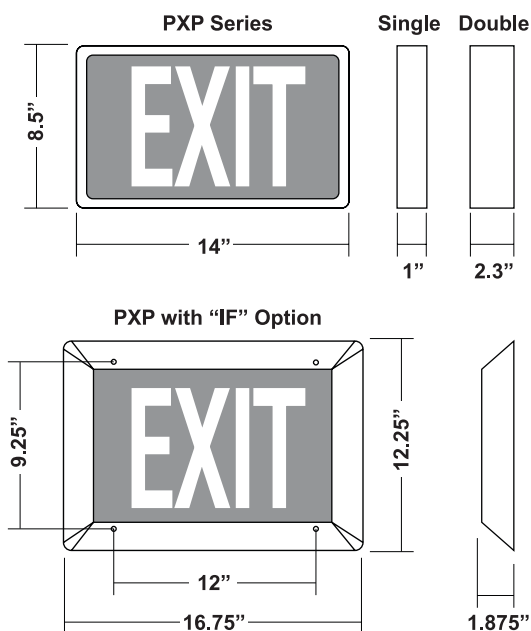
¹ Order as separate line item

Accessories¹ (Field Installed)

WG-1 = Wire Guard (Back Mount)	WG-3 = Wire Guard (Ceiling Mount)
WG-2 = Wire Guard (End Mount)	XG-6 = Poly Guard (Back Mount)



DIMENSIONS



FEATURES

- Energy efficient, consumes zero electricity during effective life of 10, 15 or 20 years
 - Explosion-proof, contains no electrical components or spark producing matter, ideal for hazardous location applications
 - Maintenance-free unit, contains no circuitry, lamps or batteries to replace
 - Self-powered, always illuminated. Sign provides constant, uninterrupted illumination and requires no external power source
 - Extreme temperature rated; unit is rated to operate in temperatures from -65°F to 176°F
 - Custom legends available
 - Designed for both high- or low-level installations
 - Universal Mounting - Ceiling or wall mount
 - Vibration-proof
 - Optional security lens available
 - Available with face colors red, green, black or white
 - Available with single or double face configurations
 - Fully-illuminated 6" characters with 3/4" stroke
 - Suitable for wet or damp location
- PXP-IF - all of the above, PLUS:**
- Attractive, heavy-duty, tapered, cast aluminum frame; ideal for any institution or high-abuse areas
 - Solid 3/8" thick, vandal-resistant, polycarbonate lens
 - No sharp edges or corners
 - Complete fixture series meets American Recovery and Reinvestment Act of 2009 (ARRA) requirements and Buy American provisions



Specifications are subject to change without notice

ORDERING INFORMATION

Example: PXP-1B-15-WH

Series	Legend	Product Life	Finish	Options (Factory Installed)	Accessories ³ (Field Installed)
PXP	1B = Single Face Black	10 = 10 Years	WH = White	IF ¹ = Institutional Frame	WG-1 = Wire Guard (Back Mount)
	2B = Double Face Black	15 = 15 years	BL = Black	SL ² = Security Polycarbonate Lens	WG-2 = Wire Guard (End Mount)
	1G = Single Face Green	20 = 20 Years	BA = Brushed Aluminum	SS = Custom Legend	WG-3 = Wire Guard (Ceiling Mount)
	2G = Double Face Green		GR = Grey	P12 = 12' Swivel Pendant	XG-6 = Poly Guard (Back Mount)
	1R = Single Face Red			P24 = 24' Swivel Pendant	
	2R = Double Face Red			P36 = 36' Swivel Pendant	
	1W = Single Face White			P48 = 48' Swivel Pendant	
	2W = Double Face White				

¹ Single face only

² Not available with BA housing

³ Order as separate line item



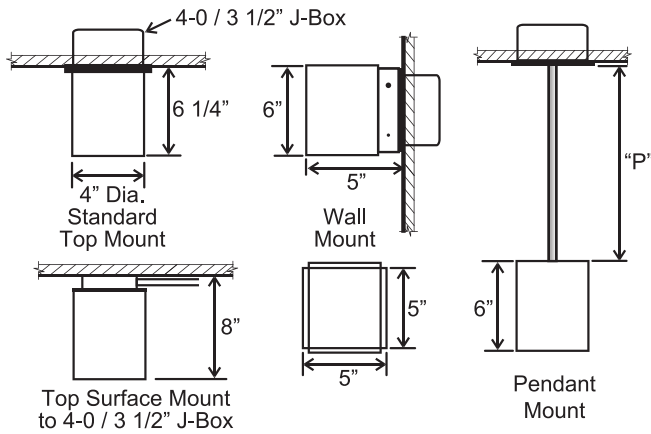
Emergency Lighting

NIGHTFALL CYLINDER LED EMERGENCY LIGHTING

50 foot
on center
spacing!



DIMENSIONS



FEATURES

- Outstanding 50-55 foot on center spacing
- Architectural, cylinder style design
- Attractive aluminum extrusion design for both cylinder and canopy plate
- Available lamping options: 10 or 15 watts
- PathSafe option allows the fixture to be used both as emergency lighting fixture and security/night lighting fixture - available in 2 or 4 watt per LED configurations offering 50-70% output when connected to active building AC supply - can be switched on manually by exterior photocell (not included)
- Mounts with standard back plate to wall or ceiling, direct to J-box or pendant mounting
- ETL listed 90 minute emergency run time, 24 hour recharge time
- ETL recognized maintenance-free NiCad battery
- Optional Guardian Self-Testing/Self-Diagnostics (G2) available
- 120/277V dual primary, 50Hz input for standard operation
- Standard finish: White
- Optional damp rating (DR) available
- 5 year warranty with separate 5 year pro-rated battery warranty
- Complete fixture series meets American Recovery & Reinvestment Act of 2009 (ARRA) requirements and Buy American Recovery Act provisions.



Specifications are subject to change without notice

ORDERING INFORMATION

Example: NF1-WB-15L-WH-G2

Series	Power Source	LED Wattage	Finish	Mounting	Options (Factory Installed)
NF1	WB = With Battery	10L = (2) 5 Watt LEDs 15L = (3) 5 Watt LEDs	WH = White	JB = J-Box Mount WM = Wall Mount SM = Surface Mount (Top)	G2 = Self-Test/Self-Diagnostics SEC = Security Lighting/Night Lighting - 2 Watts per LED SEC4 = Security Lighting/Night Lighting - 4 Watts per LED DR = Damp Rated P6 = 6" Pendant Mounting Assembly P12 = 12" Pendant Mounting Assembly

FEATURES

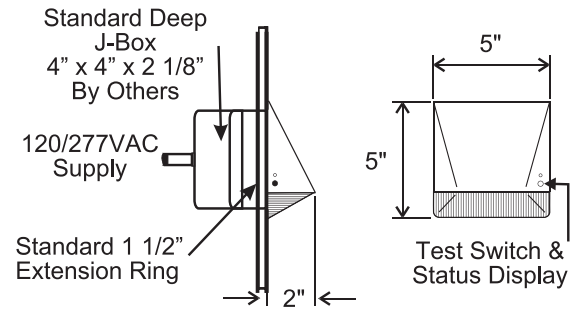
- Outstanding 40-45 foot on center spacing
- Ultra compact, low-profile, architectural design
- Easy to install, snap together design
- Available lamping options: 10 or 15 watts
- Impact-resistant, polycarbonate shield offers extreme protection
- External LED status indicator and test button
- ETL listed 90 minute emergency run time, 24 hour recharge time
- ETL recognized maintenance-free NiCad battery
- Universal deep J-Box mounting system
- Optional Guardian self-testing/self-diagnostics (G2) available
- 120/277V dual primary, 50Hz input for standard operation
- Standard finishes: White
- 5 year warranty with separate 5 year pro-rated battery warranty
- Optional damp rating (DR) available
- Complete fixture series meets American Recovery & Reinvestment Act of 2009 (ARRA) requirements and Buy American Recovery Act provisions.

ULTRA MINI LED EMERGENCY LIGHTING NIGHTFALL

40 foot
on center
spacing!



DIMENSIONS



Specifications are subject to change without notice

ORDERING INFORMATION

Example: NF2-WB-15L-WH-G2

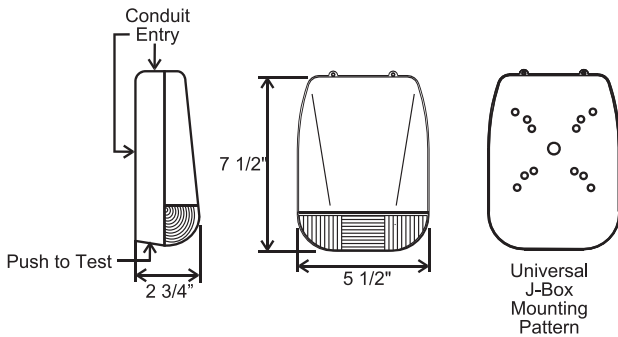
Series	Power Source	LED Wattage	Finish	Options (Factory Installed)
NF2	WB = With Battery	10L = (2) 5 Watt LEDs 15L = (3) 5 Watt LEDs	WH = White	G2 = Self-Test/Self-Diagnostics DR = Damp Rated

NIGHTFALL OUTDOOR COMPACT LED EMERGENCY LIGHTING

40 foot
on center
spacing!



DIMENSIONS



FEATURES

- Outstanding 40 foot on center spacing
- Attractive, low-profile, streamlined die-cast aluminum design
- Easy to install, snap together design
- Available lamping options: 10 or 15 watts
- PathSafe option allows the fixture to be used both as emergency lighting fixture and security/night lighting fixture - available in 2 or 4 watt per LED configurations offering 50-70% output when connected to active building AC supply - can be switched on manually by exterior photocell (not included)
- Contoured prismatic polycarbonate lens for optimal light output and protection
- Suitable for wet or damp location
- External LED status indicator and test button
- ETL listed 90 minute emergency run time, 24 hour recharge time
- ETL recognized maintenance-free NiCad battery
- Universal J-Box mounting system
- Optional Guardian self-testing/self-diagnostics (G2) available
- Optional cold weather package (-40°C to 30°C)
- 120/277V dual primary, 50Hz input for standard operation
- Standard finishes: White and bronze
- 5 year warranty with separate 5 year pro-rated battery warranty
- Complete fixture series meets American Recovery & Reinvestment Act of 2009 (ARRA) requirements and Buy American Recovery Act provisions.

EMERGENCY LIGHTS



Specifications are subject to change without notice

ORDERING INFORMATION

Example: NF3-WB-15L-WH-G2

Series	Power Source	LED Wattage	Finish	Options (Factory Installed)
NF3	WB = With Battery	10L = (2) 5 Watt LEDs	WH = White	G2 = Self-Test/Self-Diagnostics
		15L = (3) 5 Watt LEDs	BR = Bronze	SEC ¹ = Security Lighting/Night Lighting - 2 Watts per LED
				SEC4 ¹ = Security Lighting/Night Lighting - 4 Watts per LED
				PC/G2 = Photocontrol / Self Diagnostics
				CL = Cold Location Package
				PM20 = 20" Pole Mounting Assembly
				PM36 = 36" Pole Mounting Assembly
				PM96 = 96" Pole Mounting Assembly

¹ Required with CL option when operating at -40°C

FEATURES

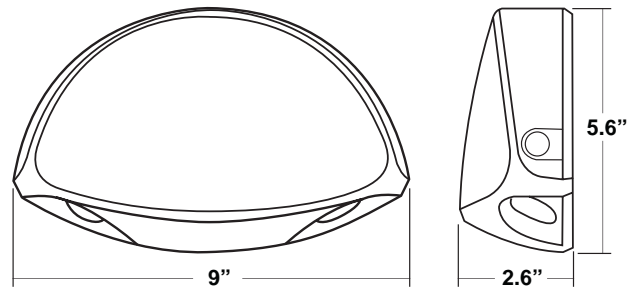
- Attractive, contemporary, low-profile, streamlined design
- Easy to install, snap together design
- Rugged, injection-molded UL94 V-0 flame retardant, high-temperature thermoplastic housing
- Utilizes adjustable, long lasting, efficient, ultra-bright white LEDs with a life expectancy of 50,000 hours and 6500K color temperature with CRI of 75
- LED lamps are fully adjustable for ease of aiming
- Maintenance-free lead acid battery
- UL listed 90 minute emergency run time, 24 hour recharge time
- 120/277V dual primary, 60Hz input
- Standard finishes: Black, white or silver
- Suitable for damp location
- 1 year warranty with separate 1 year pro-rated battery warranty

THERMOPLASTIC LED
EMERGENCY LIGHTING

NIGHTFALL



DIMENSIONS



EMERGENCY LIGHTS



Specifications are subject to change without notice

ORDERING INFORMATION

Example: NF4-WB-SV

Series	Battery	Finish
NF4	WB = With Battery	WH = White
		BL = Black
		SV = Silver

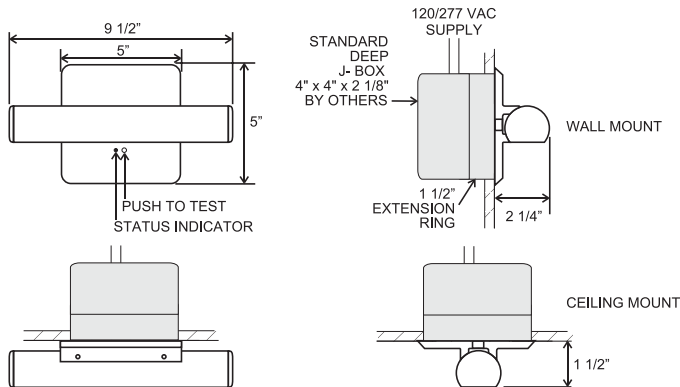
NIGHTFALL OUTDOOR LINEAR LED EMERGENCY LIGHTING

Illuminates a
12' x 25' area!



IP66 RATED

DIMENSIONS



EMERGENCY LIGHTS

FEATURES

- Illuminates a uniform 12' x 25' area providing safe and effective outdoor LED emergency egress lighting
- Attractive, low-profile, linear design
- Available lamping: 10
- Suitable for wet or damp location - IP66 rated
- PathSafe option allows the fixture to be used both as emergency lighting fixture and security/night lighting fixture - available in 2 or 4 watt per LED configurations offering 50-70% output when connected to active building AC supply - can be switched on manually by exterior photocell (not included)
- Rugged steel diffuser lens for optimal light output and protection
- External LED status indicator and test button
- ETL listed 90 minute emergency run time, 24 hour recharge time
- ETL recognized maintenance-free NiCad battery
- Universal deep J-Box mounting system
- Optional Guardian self-testing/self-diagnostics (G2) available
- 120/277V dual primary, 50Hz input for standard operation
- Standard finishes: White or brushed aluminum
- 5 year warranty with separate 5 year pro-rated battery warranty
- Complete fixture series meets American Recovery & Reinvestment Act of 2009 (ARRA) requirements and Buy American Recovery Act provisions.



Specifications are subject to change without notice

ORDERING INFORMATION

Example: NF5-WB-10L-WH-G2

Series	Power Source	LED Wattage	Mounting	Finish	Options (Factory Installed)
NF5	WB = With Battery	10L = (2) 5 Watts LEDs	WM = Wall Mount CM = Ceiling Mount	WH = White BA = Brushed Aluminum	G2 = Self-Test/Self-Diagnostics SEC = Security Lighting/Night Lighting - 2 Watts per LED SEC4 = Security Lighting/Night Lighting - 4 Watts per LED MTM ¹ = Mullion Top Mount Canopy MWM ¹ = Mullion Wall Mount Canopy

¹ Mullion mounting includes 2.5" x 5" mounting canopy with remote power supply

FEATURES

- Outstanding 50-55 foot on center spacing
- Compact, flush-mount, 4" recessed down light for new construction
- Available lamping options: 10 or 15 watts
- PathSafe option allows the fixture to be used both as emergency lighting fixture and security/night lighting fixture - available in 2 or 4 watt per LED configurations offering 50-70% output when connected to active building AC supply - can be switched on manually by exterior photocell (not included)
- ETL listed 90 minute emergency run time, 24 hour recharge time
- ETL recognized maintenance-free NiCad battery
- Optional Guardian self-testing/self-diagnostics (G2) available
- 120/277V dual primary, 50Hz input for standard operation
- Standard finishes: White
- Optional damp rating (DR) available
- 5 year warranty with separate 5 year pro-rated battery warranty
- Complete fixture series meets American Recovery & Reinvestment Act of 2009 (ARRA) requirements and Buy American Recovery Act provisions.

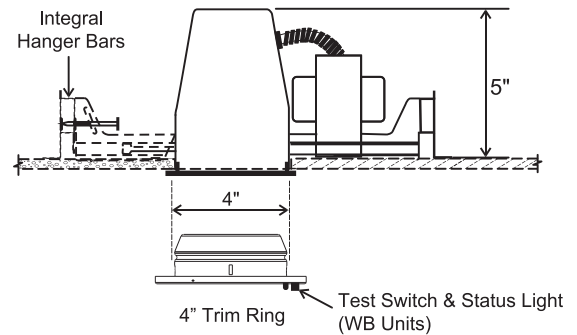
RECESSED DOWNLIGHT LED
EMERGENCY LIGHTING

NIGHTFALL

50 foot
on center
spacing!



DIMENSIONS



Specifications are subject to change without notice

ORDERING INFORMATION

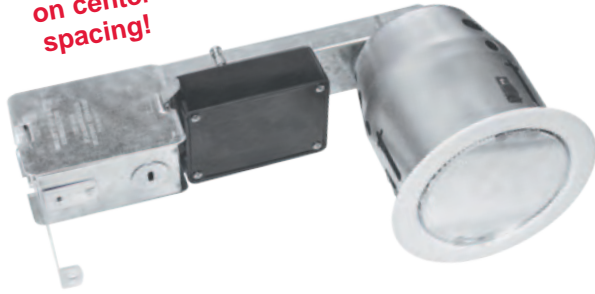
Example: NFDL1-WB-15L-WH-G2

Series	Power Source	LED Wattage	Finish	Options (Factory Installed)
NFDL1	WB = With Battery	10L = (2) 5 Watt LEDs 15L = (3) 5 Watt LEDs	WH = White	G2 = Self-Test/Self-Diagnostics SEC = Security Lighting/Night Lighting - 2 Watts per LED SEC4 = Security Lighting/Night Lighting - 4 Watts per LED DR = Damp Rated

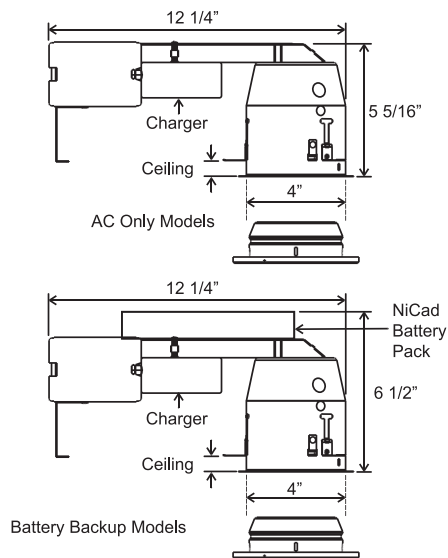
EMERGENCY LIGHTS

NIGHTFALL REMODEL DOWNLIGHT LED EMERGENCY LIGHTING

50 foot on center spacing!



DIMENSIONS



FEATURES

- Outstanding 50-55 foot on center spacing
- Compact, flush-mount, 4" recessed down light for remodel applications
- Available lamping options: 10 or 15 watts
- PathSafe option allows the fixture to be used both as emergency lighting fixture and security/night lighting fixture - available in 2 or 4 watt per LED configurations offering 50-70% output when connected to active building AC supply - can be switched on manually by exterior photocell (not included)
- ETL listed 90 minute emergency run time, 24 hour recharge time
- ETL recognized maintenance-free NiCad battery
- Optional Guardian self-testing/self-diagnostics (G2) available
- 120/277V dual primary, 50Hz input for standard operation
- Standard finishes: White
- Optional damp rating available
- 5 year warranty with separate 5 year pro-rated battery warranty
- Complete fixture series meets American Recovery & Reinvestment Act of 2009 (ARRA) requirements and Buy American Recovery Act provisions.

EMERGENCY LIGHTS



Specifications are subject to change without notice

ORDERING INFORMATION

Example: NFDL2-WB-15L-WH-DR

Series	Power Source	LED Wattage	Finish	Options (Factory Installed)
NFDL2	WB = With Battery	10L = (2) 5 Watt LEDs 15L = (3) 5 Watt LEDs	WH = White	G2 = Self-Test/Self-Diagnostics SEC = Security Lighting/Night Lighting - 2 Watts per LED SEC4 = Security Lighting/Night Lighting - 4 Watts per LED DR = Damp Rated

FEATURES

- Contemporary, low-profile, streamlined design
- Utilizes 10 long lasting, energy efficient, ultra-bright white LEDs with a life expectancy of 50,000 hours
- Die-cast aluminum housing
- External LED status indicator and test button
- Optional United General Lighting AC & EM - Following AC power failure, the unit will automatically provide emergency light - Photo Sensor will automatically switch unit on when ambient light begins to diminish
- Guardian Self-Test/Self-Diagnostics (G2) standard
- Mirrored reflector for enhanced light output
- UL94-5VA flame retardant polycarbonate components
- UV stabilized, vandal resistant, polycarbonate lens
- Suitable for wet or damp location
- A 1/2 inch NPT threaded conduit opening is provided at the top of the enclosure and sealed with a closure plug
- Optional cold weather package (-20°C - 50°C)
- Quick connect mounting back plate
- Low voltage disconnect eliminates deep discharge
- Maintenance-free NiCad battery
- UL listed 90 minute emergency run time, 24 hour recharge time
- Standard finish: Bronze
- 120/277V dual primary, 60Hz input
- 3 year warranty with separate 5 year pro-rated battery warranty



Specifications are subject to change without notice

ORDERING INFORMATION

Example: TRL-ACEM-BR-CL

Series	Product Category	Finish	Options (Factory Installed)
TRL	EM = Emergency Lighting ACEM = United AC & Emergency Lighting	BR = Dark Bronze	CL = Cold Location Package

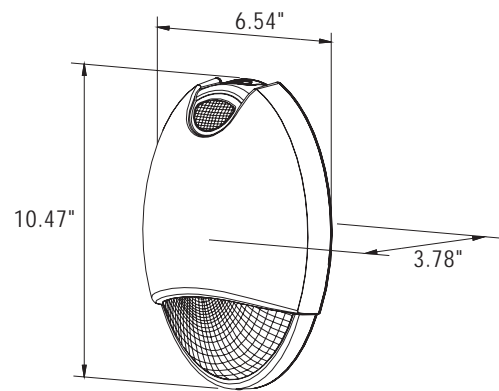
OUTDOOR LED GENERAL &
EMERGENCY LIGHTING

TRITON-LED



Also available with Xenon lamps - see page 50 for details

DIMENSIONS



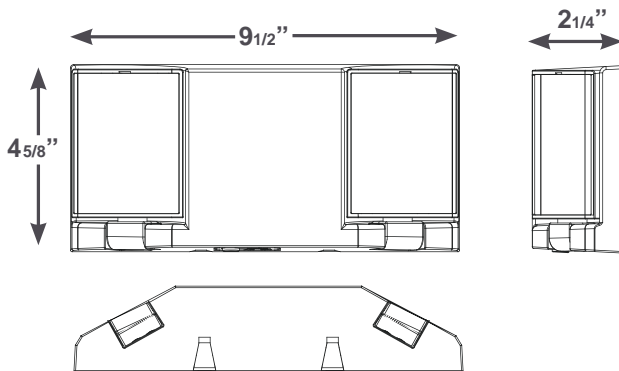
LED-60 THERMOPLASTIC LED EMERGENCY LIGHTING



FEATURES

- Completely self-contained
- Ultra-compact, low-profile design
- Each fully adjustable lamp head contains 8 LED configuration consuming 2.1 watts overall
- Rugged, injection-molded UL94 V-0 flame retardant, high-temperature thermoplastic housing
- AC lockout for ease of installation and installer protection
- Low voltage disconnect eliminates deep discharge
- Brown-out, short circuit and voltage surge protection
- Maintenance-free NiCad battery
- UL listed 90 minute emergency run time, 24 hour recharge time
- Universal J-Box mounting
- Standard finishes: Black or white
- 120/277V dual primary, 60Hz input
- 5 year warranty with separate 5 year pro-rated battery warranty

DIMENSIONS



EMERGENCY LIGHTS



Specifications are subject to change without notice

ORDERING INFORMATION

Example: LED-60-BL

Series	Finish	Accessories ¹ (Field Installed)
LED-60	BLANK = White	WG-90 = Wire Guard (Back Mount)
	BL = Black	XG-90 = Poly Guard (Back Mount)
		WPV-2 = Wet Location/Vandal Guard (Back Mount)

¹ Order as separate line item

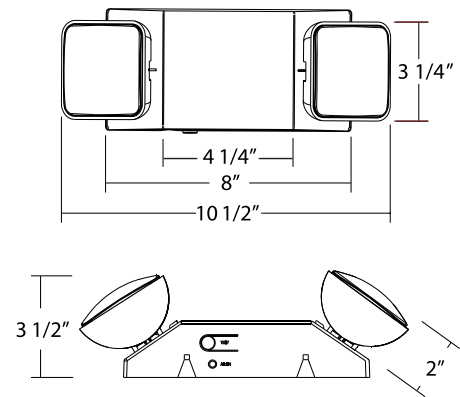
FEATURES

- Each head contains 8 long-lasting, efficient, ultra-bright, white LEDs using 1.1 watts per head
- Completely self-contained, compact, low-profile design
- Rugged, injection-molded UL94 V-0 flame retardant, high-temperature thermoplastic housing
- Remote capable- up to 2 HLED remote heads
- AC lockout for ease of installation and installer protection
- Low voltage disconnect eliminates deep discharge
- Brown-out, short circuit and voltage surge protection
- Charge rate/power "ON" LED indicator light with test button
- Maintenance-free Ni-cad battery
- UL listed 90 minute emergency run time, 24 hour recharge time
- Universal J-Box mounting system
- Optional Guardian Self-Test/Self-Diagnostics (G2) available
- Standard finishes: Black or white
- 120/277V dual primary, 60Hz input
- Suitable for damp location
- 3 year warranty with separate 5 year pro-rated battery warranty

ADJUSTABLE THERMOPLASTIC LED EMERGENCY LIGHTING LED-90



DIMENSIONS



Specifications are subject to change without notice

ORDERING INFORMATION

Example: LED-90-G2

Series	Finish	Options (Factory Installed)	Accessories ² (Field Installed)
LED-90	BLANK = White	G2 = Self-Test/Self-Diagnostics	WG-90 = Wire Guard (Back Mount)
	BL = Black	R ¹ = Remote Capacity	XG-90 = Poly Guard (Back Mount)
			WPV-2 = Wet Location/Vandal Guard (Back Mount)

¹ For use with single or double HLED remote lamps only

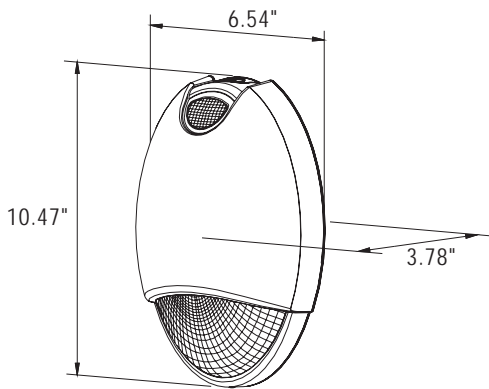
² Order as separate line item

TRITON OUTDOOR EMERGENCY LIGHTING



Also available with LED - see page 47 for details

DIMENSIONS



FEATURES

- Contemporary, low-profile, streamlined design with (2) 6V/6W xenon lamps
- Die-cast aluminum housing
- External LED status indicator and test button
- Guardian Self-Test/Self-Diagnostics (G2) standard
- Mirrored reflector for enhanced light output
- UL94-5VA flame retardant polycarbonate components
- UV stabilized, vandal resistant, polycarbonate lens
- Suitable for wet or damp location
- A 1/2 inch NPT threaded conduit opening is provided at the top of the enclosure and sealed with a closure plug
- Optional cold weather package (-20°C - 50°C)
- Quick connect mounting back plate
- Low voltage disconnect eliminates deep discharge
- Maintenance-free NiCad battery
- ETL listed 90 minute emergency run time, 24 hour recharge time
- Standard finishes: Black, white or bronze
- 120/277V dual primary, 60Hz input
- 5 year warranty with separate 5 year pro-rated battery warranty

EMERGENCY LIGHTS



Specifications are subject to change without notice

ORDERING INFORMATION

Example: TR-WB-BR-SRG

Series	Style	Finish	Options (Factory Installed)
TR	WB = NiCad Battery	WH = White	CL = Cold Location Package
	RM ¹ = Remote Unit Only	BL = Black	SRG = Green LED & Sensor
		BR = Dark Bronze	SRB = Blue LED & Sensor
			SRA = Amber LED & Sensor
			SRW = White LED & Sensor

¹ Does not include battery or charging circuit, requires separate 6 volt power supply, Not available with any other options.

FEATURES

- IP66 rated for wet and hose down locations - NEMA 4X
- Heavy Duty 0.42" thick, cast aluminum housing
- Impact-resistant, polycarbonate shield offers extreme protection
- Fully-adjustable, high-intensity MR16 halogen lamps in wattages ranging from 5-35 watts
- Back up available in 6 volt - 42 watts or 12 volt with either 45 or 90 watts
- Guardian Self-Test/Self-Diagnostics (G2) standard
- Tamper-resistant hardware standard
- Extended 120 minute run time battery available
- Universal Mounting - Ceiling, back or end mount
- 120/277/347V, 60Hz input
- Standard finishes: Black or white
- 3 year warranty with separate 3 year pro-rated battery warranty
- Fixture series may be built to comply with the American Recovery and Reinvestment Act of 2009 (ARRA) requirements and Buy American provisions - call factory for details

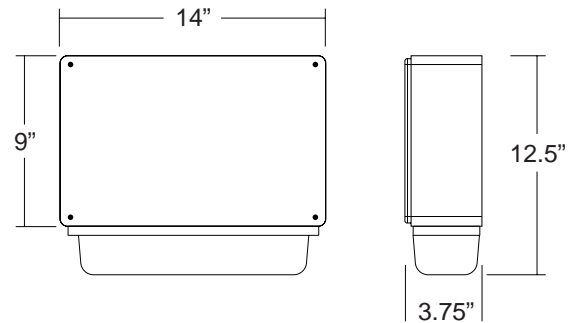
VANDAL RESISTANT, WET LOCATION
EMERGENCY LIGHTING

NAV-EM



NEMA 4X
IP66 RATED

DIMENSIONS



Specifications are subject to change without notice

ORDERING INFORMATION

Example: NAV-EM-6-42-10M-BL

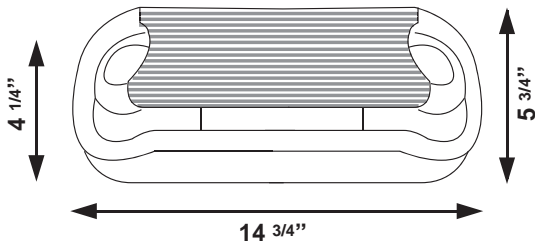
Series	Voltage	Wattage	Lamp	Finish	Options (Factory Installed)	Accessories ¹ (Field Installed)
NAV-EM	6 = 6 Volt	6 Volt	6 Volt	WH = White	USA = Meets Buy American Requirements	ER1-KIT = 1' Pendant Mount Kit
		12 = 12 Volt	42 = 42 Watts	5M = 5 Watt		BL = Black
		12 Volt	10M = 10 Watt			
		45 = 45 Watts	12 Volt			
		90 = 90 Watts	10M = 10 Watt			
			20M = 20 Watt			
			35M = 35 Watt			

¹ Order as separate line item

LL50H-N4 WET LOCATION HALOGEN EMERGENCY LIGHTING



DIMENSIONS



FEATURES

- Easy to install, snap together design
- Wet location listed; resistant to corrosive atmospheres, non-hazardous dust environments
- UL94-5VA flame retardant thermoplastic components
- Fully-adjustable, high-intensity 5 watt MR16 halogen lamp
- AC lockout for ease of installation and installer protection
- Low voltage disconnect eliminates deep discharge
- Optional internal battery heater for cold locations (down to -10°C)
- Brown-out, short circuit and voltage surge protection
- Maintenance-free lead acid battery
- UL listed 90 minute emergency run time, 24 hour recharge time
- Universal Mounting - Ceiling or wall mount
- Standard finishes: Gray
- 120/277V dual primary, 60Hz input
- 1 year warranty with separate 5 year pro-rated battery warranty
- Fixture series may be built to comply with the American Recovery and Reinvestment Act of 2009 (ARRA) requirements and Buy American provisions - call factory for details

EMERGENCY LIGHTS



Specifications are subject to change without notice

ORDERING INFORMATION

Example: LL50H-N4

Series	Options (Factory Installed)	Accessories ¹ (Field Installed)
LL50H-N4	IH = Internal Battery Heater 120/277V USA = Meets Buy American Requirements	WG-7 = Wire Guard (Back Mount) XG-90 = Poly Guard (Back Mount)

¹ Order as separate line item

FEATURES

- IP66 rated for wet and hose down locations - NEMA 4X
- Die-cast aluminum backplate, fully-gasketed and sealed with durable powder-coat finish
- Available in 6 or 12 volt with wattages ranging from 27-40 watts
- Fully-adjustable, high-intensity 12 or 20 watt MR16 halogen lamp
- Impact-resistant, polycarbonate shield offers extreme protection
- AC lockout for ease of installation and installer protection
- Low voltage disconnect eliminates deep discharge
- Brown-out protection
- Internal battery heater optional for cold location installations (-10°C)
- Optional I-Beam mounting strap available
- Guardian Self-Test/Self-Diagnostics (G2) standard
- Maintenance-free NiMH (nickel metal hydride) battery
- Universal J-Box mounting system with top mounted conduit entry for easy installation
- 120/277V dual primary, 60Hz input
- Optional time delay feature available
- Standard finishes: Satin aluminum or bronze
- 3 year warranty with separate 5 year pro-rated battery warranty
- Complete fixture series meets American Recovery & Reinvestment Act of 2009 (ARRA) requirements and Buy American Recovery Act provisions.



Specifications are subject to change without notice

ORDERING INFORMATION

Example: LL70-12-50-20-SA-TD-IH2

Series	Volts	Watts	Lamps	Finish	Options (Factory Installed)
LL70	6 = 6 Volts	18 = 18 Watts	12 = 12W MR16	SA = Satin Aluminum	TD = Time Delay
	12 = 12 Volts	25 = 25 Watts	20 = 20W MR16	BR = Bronze	IH1 = Internal Battery Heater 120VAC
		36 = 36 Watts			IH2 = Internal Battery Heater 277VAC
		50 = 50 Watts			TRH = Tamper Resistant Hardware
					IHB = I-Beam Mounting Strap
					Accessories¹ (Field Installed)
					TRHT = Tamper Resistant Tool
					WG-90 = Wire Guard (Back Mount)
					XG-90 = Poly Guard (Back Mount)

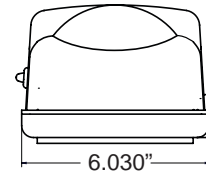
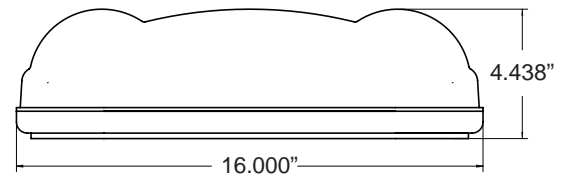
¹ Order as separate line item

NEMA 4X EMERGENCY LIGHTING LL70



NEMA 4X
IP66 RATED

DIMENSIONS

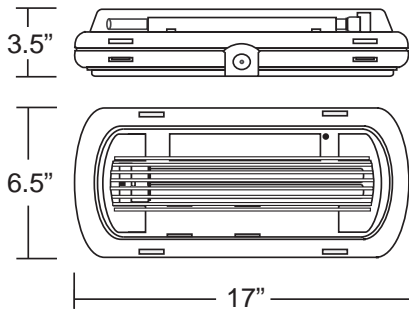


LL80 WET LOCATION FLUORESCENT EMERGENCY LIGHTING



IP65 RATED

DIMENSIONS



FEATURES

- IP65 rated for wet locations
- Compact, streamlined design
- UL94-5VA flame retardant polycarbonate components
- Injection-molded, UV stabilized, vandal resistant lens
- Provided with 24 watt compact fluorescent lamp with 1350 lumens during DC operation
- Low voltage disconnect eliminates deep discharge
- Self-Test/Self-Diagnostics (G2) standard
- Tamper resistant hardware standard
- Maintenance-free NiCad battery
- Optional NiMH battery available
- Optional time delay feature available
- Universal Mounting - Ceiling or wall mount
- 120/277V dual primary, 60Hz input
- Standard finish: Gray
- 5 year warranty on unit and battery

EMERGENCY LIGHTS



Specifications are subject to change without notice

ORDERING INFORMATION

Example: LL80-NM

Series	Options (Factory Installed)
LL80	NM = Nickel Metal Hydride Battery
	TA = Time Delay - 120V
	TB = Time Delay - 277V
	RTT = Recessed Trimplate - T-bar application
	RTD = Recessed Trimplate - Drywall application

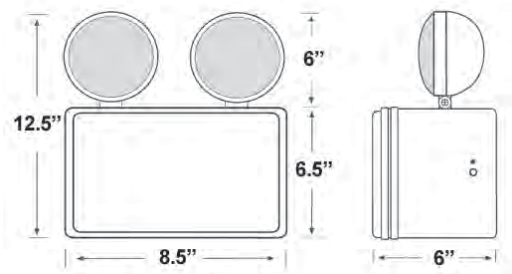
FEATURES

- Fully-adjustable, high-intensity led heads - 1.9 watts per head
- IP65 rated for wet locations
- UL94-5VA flame retardant polycarbonate housing with fully gasketed and sealed, hinged cover
- Remote capable up to 3.7 watts in temperatures ranging from 0°C - 50°C, powers up to (2) CLED LED remote heads
- Charge rate/power "ON" LED indicator light with test button
- Metalized reflector for enhanced light output
- Cold weather package standard (-20°C - 50°C)
- Maintenance-free NiCad battery
- UL listed 90 minute emergency run time, 24 hour recharge time
- 120/277V dual primary, 60Hz input
- Standard finishes: Black or gray

WET LOCATION LED EMERGENCY LIGHTING LED-RX



DIMENSIONS



Specifications are subject to change without notice

ORDERING INFORMATION

Example: LED-RX-BL

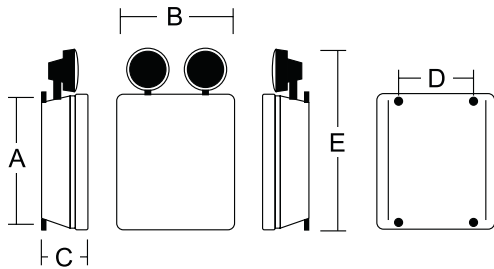
Series	Finish	Accessories ¹ (Field Installed)
LED-RX	BL = Black	WG-5 = Wire Guard (Back Mount)
	GR = Gray	XG-PS = Poly Guard (Back Mount)

¹ Order as separate line item



NEMA 4X
IP66 RATED

DIMENSIONS



Cabinet	A	B	C	D	E
27W - 36W	11 7/16"	9 1/4"	5 7/16"	5 5/16"	16 1/2"
54W - 72W	13 7/16"	11 1/4"	5 7/16"	8 5/16"	18 1/2"
100W - 200W	15 1/2"	13 3/8"	6 1/4"	10 1/4"	20 1/2"
200W - 300W	17 1/2"	15 3/8"	6 1/4"	12 1/4"	22 1/2"
300W - 360W	9 7/8"	16 7/8"	9"	12 1/4"	24 1/2"

FEATURES

- Impact-resistant, fiberglass housing with an industrial gray finish
- Available in 6, 12 or 24 volt with wattages ranging from 27-360 watts
- High-impact, thermoplastic, PAR 36 sealed beam lamps
- IP66 rated for wet and hose down locations - NEMA 4X
- Internal battery heater optional for cold location installations
- AC lockout for ease of installation and installer protection
- Low voltage disconnect eliminates deep discharge
- Brown-out, short circuit and voltage surge protection
- Maintenance-free lead acid battery
- Optional NiCad battery available
- ETL listed 90 minute emergency run time, 24 hour recharge time
- Optional Guardian Self-Test/Self-Diagnostics (G2) available
- Optional Internal Battery Heater (IH1 or IH2) allows operation in temperatures as low as -40°F (-40°C)
- Optional time delay feature available
- Universal J-Box mounting system
- 120/277V dual primary, 60Hz input
- Fixture series may be built to comply with the American Recovery and Reinvestment Act of 2009 (ARRA) requirements and Buy American provisions - call factory for details

EMERGENCY LIGHTS



Specifications are subject to change without notice

ORDERING INFORMATION

Example: WNX-12N-42-2-Z12H12-G2

Series	Wattage	# of Lamp Heads	Lamp Heads	Options (Factory Installed)
WNX-6 = 6 Volt Lead Acid	6 Volt Lead Acid	6 Volt NiCad	0 = No Lamp Heads	6 Volt Tungsten Lamps G2 = Self-Test/Self-Diagnostics
WNX-6N = 6 Volt NiCad	27 = 27 Watts	18 = 18 Watts	1 = 1 Lamp Head	Z0608 = 8 Watts A = Ammeter
WNX-12 = 12 Volt Lead Acid	36 = 36 Watts	42 = 42 Watts	2 = 2 Lamp Heads	Z0618 = 18 Watts V ¹ = Voltmeter
WNX-12N = 12 Volt NiCad	60 = 60 Watts	90 = 90 Watts		Z0625 = 25 Watts TA = 120V Time Delay
WNX-24 = 24 Volt Lead Acid	12 Volt Lead Acid	12 Volt NiCad		Z0630 = 30 Watts TB = 277V Time Delay
WNX-24N = 24 Volt NiCad	36 = 36 Watts	42 = 42 Watts		6 Volt Halogen Lamps FP = Food Prep Lens
	60 = 60 Watts	90 = 90 Watts		Z06H08 = 8 Watts IH1 = Internal Batt Heater 120V
	140 = 140 Watts	130 = 130 Watts		Z06H12 = 12 Watts IH2 = Internal Batt Heater 277V
	360 = 360 Watts	200 = 200 Watts		12 Volt Tungsten Lamps LC = 3' Line Cord
	24 Volt Lead Acid	24 Volt NiCad		Z1212 = 12 Watts USA = Meets Buy American Requirements
	140 = 140 Watts	100 = 100 Watts		Z1218 = 18 Watts
	360 = 360 Watts	200 = 200 Watts		Z1225 = 25 Watts
				Z1230 = 30 Watts
				12 Volt Halogen Lamps
				Z12H08 = 8 Watts
				Z12H12 = 12 Watts
				24 Volt Tungsten Lamps
				Z2409 = 9 Watts
				Accessories² (Field Installed)
				WG-7 = Wire Guard, 27-72W (Back Mount)
				WG-A = Wire Guard, 100-360W (Back Mount)
				XG-EL90 = Poly Guard, 27-72W (Back Mount)

¹ 6 Volt or 12 Volt Only

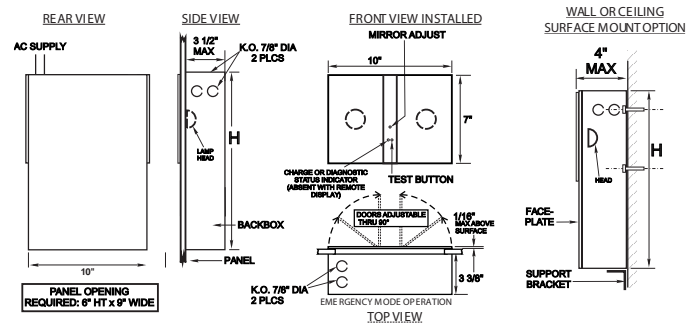
² Order as separate line item

FEATURES

- Following AC power failure, cover doors open instantly and provide emergency lighting to area required, with automatic retraction when AC power is restored
- Doors are operated automatically using a spring and solenoid system with a magnetic latch for years of worry-free operation
- Flush-fitting cover doors feature internal reflective surfaces to maximize light output
- Cover doors may be color matched, textured or even wall papered to blend into any interior - When closed in normal-mode, the unit is almost invisible
- Dual MR16 quartz halogen lamps available in 20, 35, 50 or 75 watts - Lamp life of 5,000 hours means most installations will never require replacement
- Swivel mounted lamps are fully adjustable and lock into the desired position
- Guardian Self-Test/Self-Diagnostics (G2) standard
- Low cost - easy installation
- Recessed and surface mount
- Maintenance-free lead acid battery
- Optional NiCad and NiMh batteries available on some units
- 120/277V dual primary, 60Hz input
- Optional damp rating available
- 5 year warranty with separate 5 year pro-rated battery warranty
- Complete fixture series meets American Recovery and Reinvestment Act of 2009 (ARRA) requirements and Buy American provisions



DIMENSIONS



EMERGENCY LIGHTS



Specifications are subject to change without notice

ORDERING INFORMATION

Example: S-20-NC-2-DR

Series	Lamp Wattage	Battery Type	Battery Run Time	Options (Factory Installed)
S = Stealth	20 = 20W Lamps	WB = Sealed Lead Calcium	BLANK = 90 Min	RTP = Remote Test Panel
	35 = 35W Lamps	NC ¹ = Nickel Cadmium	2 = 2 Hour	DR = Damp Location Rated
	50 = 50W Lamps	NM ² = Nickel Metal Hydride	4 ³ = 4 Hour	SM = Surface Mount
	75 = 75W Lamps			CF(X) = Custom Finish (X = Color Selection)

¹ Nickel Cadmium not available in 75W units

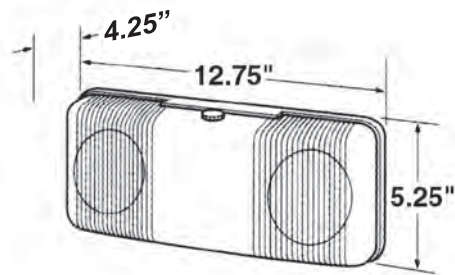
² Only available in 75W units

³ Only available in 20W units

LL30 THERMOPLASTIC EMERGENCY LIGHTING



DIMENSIONS



FEATURES

- Rugged, injection-molded UL94 V-0 flame retardant, high-temperature thermoplastic housing
- Completely self-contained
- Each fully-adjustable, high-intensity lamp head contains 6 volt, 5.4 watt tungsten (H.I.T.) or 6 volt, 5 watt halogen lamp
- UV stabilized, vandal resistant, polycarbonate lens
- AC lockout for ease of installation and installer protection
- Low voltage disconnect eliminates deep discharge
- Brown-out, short circuit and voltage surge protection
- Maintenance-free lead acid battery
- 90 minute emergency run time, 24 hour recharge time
- Universal Mounting - Ceiling or wall mount
- Optional Self-Test/Self-Diagnostics (G2) available
- Standard finish: White
- 120/277V dual primary, 60Hz input
- Suitable for damp location
- 5 year warranty with separate 5 year pro-rated battery warranty

EMERGENCY LIGHTS



Specifications are subject to change without notice

ORDERING INFORMATION

Example: LL30-G2

Series	Options (Factory Installed)
LL30 = 6V, 5.4W Lamps	G2 = Self-Test/Self-Diagnostics
LL30H = 6V, 5W Halogen Lamps	BL = Black Housing
	LC = 3" Line Cord

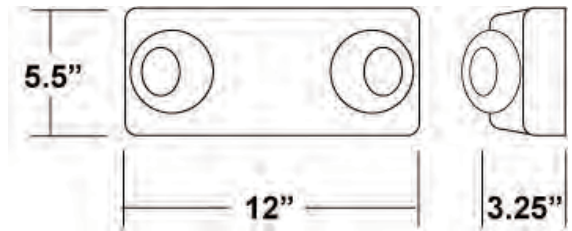
FEATURES

- Compact, streamlined design
- Easy to install, snap together design
- UL94-5VA flame retardant thermoplastic components
- Fully-adjustable, high-intensity 5 watt MR16 halogen lamp
- AC lockout for ease of installation and installer protection
- Low voltage disconnect eliminates deep discharge
- Brown-out, short circuit and voltage surge protection
- Maintenance-free lead acid battery
- UL listed 90 minute emergency run time, 24 hour recharge time
- Universal Mounting - Ceiling or wall mount
- Optional Guardian Self-Test/Self-Diagnostics (G2) available
- Standard finishes: Black or white
- 120/277V dual primary, 60Hz input
- Suitable for damp location
- 1 year warranty with separate 5 year pro-rated battery warranty

THERMOPLASTIC HALOGEN EMERGENCY LIGHTING LL50H



DIMENSIONS



Specifications are subject to change without notice

ORDERING INFORMATION

Example: LL50H-G2

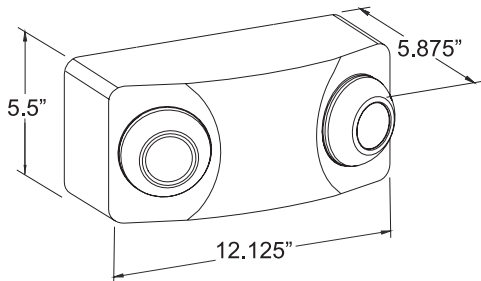
Series	Options (Factory Installed)	Accessories ¹ (Field Installed)
LL50H = 6V, 5W Halogen Lamps	G2 = Self-Test/Self-Diagnostics	WG-1 = Wire Guard (Back Mount)
	BL = Black Housing	XG-90 = Poly Guard (Back Mount)
	LC = 3" Line Cord	WPV-2 = Wet Location/Vandal Guard (Back Mount)

¹ Order as separate line item

LL50H-6/12 HIGH CAPACITY HALOGEN EMERGENCY LIGHTING



DIMENSIONS



EMERGENCY LIGHTS

FEATURES

- Easy to install, snap together design
- UL94-5VA flame retardant thermoplastic components
- Fully-adjustable, high-intensity 12 watt MR16 halogen lamp - optional 25 watt lamps available
- Available in 6 or 12 volt with 25 or 50 wattage configurations
- AC lockout for ease of installation and installer protection
- Low voltage disconnect eliminates deep discharge
- Brown-out, short circuit and voltage surge protection
- Maintenance-free lead acid battery
- UL listed 90 minute emergency run time, 24 hour recharge time
- Optional Guardian Self-Test/Self-Diagnostics (G2) available
- Standard finishes: Black or white
- 120/277V dual primary, 60Hz input
- Suitable for damp location
- 1 year warranty with separate 5 year pro-rated battery warranty



Specifications are subject to change without notice

ORDERING INFORMATION

Example: LL50H-12-50-G2

Series	Voltage	Wattage	Options (Factory Installed)	Accessories ¹ (Field Installed)
LL50H	6 = 6 Volts	25 = 25 Watts	G2 = Self-Test/Self-Diagnostics	WG-7 = Wire Guard (Back Mount)
	12 = 12 Volts	50 = 50 Watts	25W = 25 Watt MR16 Lamps	XG-90 = Poly Guard (Back Mount)
			BL = Black Housing	
			LC = 3' Line Cord	

¹ Order as separate line item

FEATURES

- Completely self-contained
- Enclosure constructed of rugged 20 gauge steel or rugged, injection-molded UL94 V-0 flame retardant, high-temperature thermoplastic
- Each fully-adjustable lamp head contains 6 volt or 12 volt, 9 watt tungsten lamp - alternate heads are available
- Available in 6 or 12 volt with wattages ranging from 18-100 watts
- AC lockout for ease of installation and installer protection
- Low voltage disconnect eliminates deep discharge
- Brown-out, short circuit and voltage surge protection
- Charge rate/power "ON" LED indicator light with test button
- Maintenance-free lead acid battery
- Optional NiCad battery available
- UL listed 90 minute emergency run time
- Universal J-Box mounting system
- Optional Guardian Self-Test/Self-Diagnostics (G2) available
- Optional time delay feature available
- Standard finishes: Black or white
- 120/277V dual primary, 60Hz input
- 1 year warranty with separate 5 year pro-rated battery warranty
- Complete fixture series meets American Recovery and Reinvestment Act of 2009 (ARRA) requirements and Buy American provisions



Specifications are subject to change without notice

ORDERING INFORMATION

Example: LL90HW-6-27-S-W-G2

Series	Battery Voltage	Wattage	Housing Type	Finish	Options (Factory Installed)
LL90HW	6 = 6V Lead Acid Battery	6V Lead Acid	S = Steel	W = White	G2 ² = Self-Test/Self-Diagnostics
	6N = 6V NiCad Battery	27 = 27 Watts	P = Plastic	B = Black	TD = Time Delay
	12 = 12V Lead Acid Battery	36 = 36 Watts			220 = 220VAC, 50Hz Input
	12N = 12V NiCad Battery	54 = 54 Watts			LC = 3' Line Cord
		6V NiCad			XX ³ = Alternate Lamp Heads
		18 = 18 Watts			REN-2 = (2) Renegade 3.6W LED Lamps
		27 = 27 Watts			
		12V Lead Acid			Accessories⁴ (Field Installed)
		54 = 54 Watts			WG-A = Wire Guard (Back Mount)
		100 ¹ = 100 Watts			XG-PS = Poly Guard (Back Mount)
	12V Nicad				
	54 = 54 Watts				

¹ 100 watt only available with steel housing

² Not available with NiCad battery

³ Alternate lamp heads are available, see Remote Lamp Heads specification sheet or consult factory

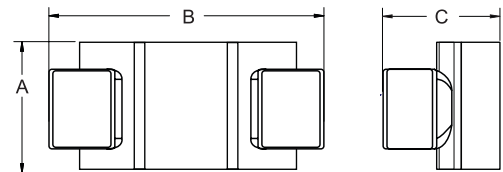
⁴ Order as separate line item

HIGH WATTAGE EMERGENCY LIGHTING LL90HW

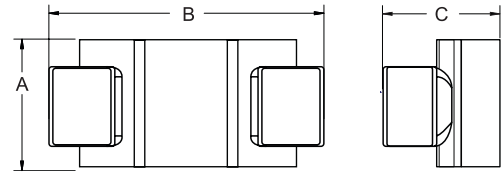


DIMENSIONS

LL90HW Plastic



LL90HW Steel

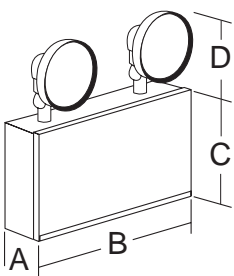


	Plastic 18-100W	Steel 18-36W	Steel 54W	Steel 72-100W
A	7.5"	5.25"	8.0"	8.0"
B	14.75"	14.87"	16.72"	16.72"
C	6.75"	8.70"	8.80"	10.41"

LL6/12 STEEL EMERGENCY LIGHTING



DIMENSIONS



	18-36W	54W	72-100W	150W
A	2.89"	2.94"	4.55"	4.55"
B	11.62"	13.29"	13.29"	16.09"
C	5.25"	8.00"	8.50"	8.50"
D	6.00"	6.00"	6.00"	6.00"

FEATURES

- Enclosure constructed of rugged 20 gauge steel
- Available in 6 or 12 volt with wattages ranging from 18-150 watts with knockouts for side mounted heads allowing for up to 4 lamp heads per unit
- Charge rate/power "ON" LED indicator light with test button
- AC lockout for ease of installation and installer protection
- Low voltage disconnect eliminates deep discharge
- Brown-out, short circuit and voltage surge protection
- Maintenance-free lead acid battery
- UL listed 90 minute emergency run time
- Optional Guardian Self-Test/Self-Diagnostics (G2) available
- Optional time delay feature available
- Standard finishes: Black or white
- 120/277V dual primary, 60Hz input
- 1 year warranty with separate 5 year pro-rated battery warranty
- Fixture series may be built to comply with the American Recovery and Reinvestment Act of 2009 (ARRA) requirements and Buy American provisions - call factory for details

EMERGENCY LIGHTS



Specifications are subject to change without notice

ORDERING INFORMATION

Example: LL6-27-T06H12-2-W-G2

Series	Wattage	Lamp Heads ¹	# Of Lamp Heads	Finish	Options (Factory Installed)
LL6 = 6 Volt	6 Volt	6 or 12 Volt LED	0 = No Lamps	W = White	G2 = Self-Test/Self-Diagnostics
LL12 = 12 Volt	18 = 18 Watts	REN-2 = Renegade 3.6W LED	1 = 1 Lamp Head	B = Black	TA = Time Delay 120VAC
	27 = 27 Watts	6 Volt Tungsten Wedge Base	2 = 2 Lamp Heads		TB = Time Delay 277VAC
	36 = 36 Watts	T0607 = 7 Watt	3 = 3 Lamp Heads		LC = 3' Line Cord
	54 = 54 Watts	T0609 = 9 Watt	4 = 4 Lamp Heads		USA = Meets Buy American Requirements
	12 Volt	6 Volt Halogen			
	54 = 54 Watts	T06H12 = 12 Watt			
	72 = 72 Watts	12 Volt Tungsten Wedge Base			Accessories² (Field Installed)
	100 = 100 Watts	T1209 = 9 Watt			WG-6 = Wire Guard, 18-54W (Back Mount)
	125 = 125 Watts	T1212 = 12 Watt			XG-6 = Poly Guard, 18-54W (Back Mount)
	150 = 150 Watts	T1218 = 18 Watt			WG-7 = Wire Guard, 72-150W (Back Mount)
		12 Volt Sealed Beam Halogen			XG-EL90 = Poly Guard, 72-150W (Back Mount)
		R12H08 = 8 Watt			
		R12H12 = 12 Watt			

¹ Alternate lamp heads are available, see Remote Lamp Heads specification sheet or consult factory

² Order as separate line item

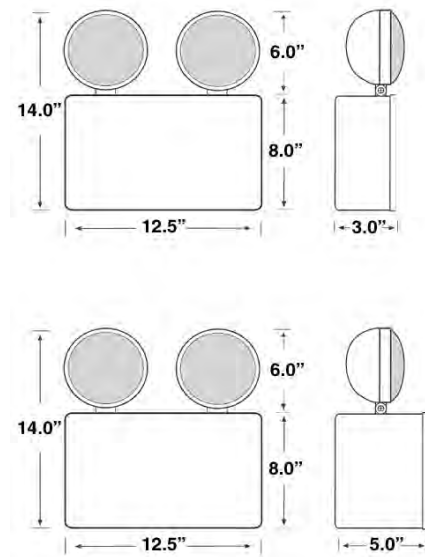
FEATURES

- Completely self-contained
- Rugged, injection-molded UL94 V-0 flame retardant, high-temperature thermoplastic housing
- Each fully-adjustable, high-intensity lamp head contains 6 volt, 7.2 watt or 12 volt, 9 watt tungsten lamp
- Charge rate/power "ON" LED indicator light with test button
- AC lockout for ease of installation and installer protection
- Low voltage disconnect eliminates deep discharge
- Brown-out, short circuit and voltage surge protection
- Maintenance-free lead acid battery
- UL listed 90 minute emergency run time, 24 hour recharge time
- Optional Guardian Self-Test/Self-Diagnostics (G2) available
- Standard finish: White
- 120/277V dual primary, 60Hz input
- 1 year warranty with separate 5 year pro-rated battery warranty

HEAVY DUTY THERMOPLASTIC EMERGENCY LIGHTING **LRP**



DIMENSIONS



Specifications are subject to change without notice

ORDERING INFORMATION

Example: LRP6-50-LC

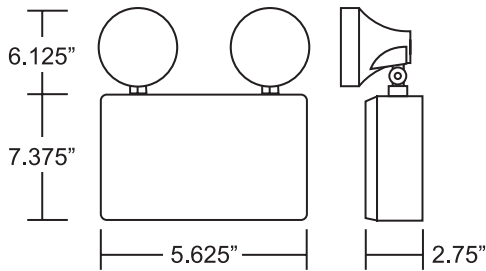
Series	Wattage	Options (Factory Installed)	Accessories ¹ (Field Installed)
LRP6 = 6 Volt	6 Volt	LC = 3' Line Cord	WG-7 = Wire Guard (Back Mount)
LRP12 = 12 Volt	18 = 18 Watts		XG-6 = Poly Guard (Back Mount)
	36 = 36 Watts		
	50 = 50 Watts		
	100 = 100 Watts		
	12 Volt		
	50 = 50 Watts		
	100 = 100 Watts		

¹ Order as separate line item

EMERGENCY LIGHTS



DIMENSIONS



FEATURES

- Completely self-contained, compact design
- Rugged, injection-molded UL94 V-0 flame retardant, high-temperature thermoplastic housing
- Available in 6 or 12 volt with wattages ranging from 14-50 watts
- Charge rate/power "ON" LED indicator light with test button
- AC lockout for ease of installation and installer protection
- Low voltage disconnect eliminates deep discharge
- Brown-out, short circuit and voltage surge protection
- Maintenance-free lead acid battery
- Optional NiCad battery available
- UL listed 90 minute emergency run time, 24 hour recharge time
- Optional Guardian Self-Test/Self-Diagnostics (G2) available
- Optional time delay feature available
- Standard finish: White
- 120/277V dual primary, 60Hz input
- 5 year warranty with separate 5 year pro-rated battery warranty
- Complete fixture series meets American Recovery and Reinvestment Act of 2009 (ARRA) requirements and Buy American provisions



Specifications are subject to change without notice

ORDERING INFORMATION

Example: RP6N-25-P0609-2-W-TA

Series	Wattage	Lamp Heads ¹	# Of Lamp Heads	Finish	Options (Factory Installed)
RP6 = 6 Volt, Lead Calcium Battery	6 Volt, Lead Calcium	6 or 12 Volt LED	0 = No Lamps	W = White	G2 ² = Self-Test/Self-Diagnostics
RP6N = 6 Volt, NiCad Battery	18 = 18 Watts	REN-2 = Renegade 3.6W LED	1 = 1 Lamp Head		TA ² = Time Delay 120VAC
RP12 = 12 Volt, Lead Calcium Battery	25 = 25 Watts	6 Volt Tungsten Wedge Base	2 = 2 Lamp Heads		TB ² = Time Delay 277VAC
RP12N = 12 Volt, NiCad Battery	36 = 36 Watts	P0607 = 7 Watt			LC = 3' Line Cord
	50 = 50 Watts	P0609 = 9 Watt			
	6 Volt, NiCad	12 Volt Tungsten Wedge Base			Accessories³ (Field Installed)
	14 = 14 Watts	P1209 = 9 Watt			WG-6 = Wire Guard (Back Mount)
	18 = 18 Watts	P1212 = 12 Watt			XG-90 = Poly Guard (Back Mount)
	25 = 25 Watts	P1218 = 18 Watt			
	12 Volt, Lead Calcium	12 Volt Halogen			
	50 = 50 Watts	R12H12 = 12 Watt			
	12 Volt, NiCad				
	25 = 25 Watts				
	36 = 36 Watts				
	50 = 50 Watts				

¹ Alternate lamp heads are available, see Remote Lamp Heads specification sheet or consult factory

² Not available with NiCad battery

³ Order as separate line item

FEATURES

- Enclosure constructed of rugged 20 gauge steel
- Available in 6 or 12 volt with wattages ranging from 18-140 watts with knockouts for side mounted heads allowing for up to 4 lamp heads per unit
- Charge rate/power "ON" LED indicator light with test button
- AC lockout for ease of installation and installer protection
- Low voltage disconnect eliminates deep discharge
- Brown-out, short circuit and voltage surge protection
- Maintenance-free lead acid battery
- Optional NiCad battery available
- UL listed 90 minute emergency run time
- Optional Guardian Self-Test/Self-Diagnostics (G2) available
- Optional time delay feature available
- Standard finish: Black or white
- 120/277V dual primary, 60Hz input
- 3 year warranty with separate 5 year pro-rated battery warranty
- Complete fixture series meets American Recovery and Reinvestment Act of 2009 (ARRA) requirements and Buy American provisions



Specifications are subject to change without notice

ORDERING INFORMATION

Example: RS6-25-T0609-2-W-G2

Series	Wattage	Lamp Heads ¹	# Of Lamp Heads	Finish	Options (Factory Installed)
RS6 = 6 Volt Lead Calcium	6 Volt, Lead Calcium	6 or 12 Volt LED	0 = No Lamps	W = White	G2 = Self-Test/Self-Diagnostics
RS6N = 6 Volt NiCad	18 = 18 Watts	REN-2 = Renegade 3.6W LED	1 = 1 Lamp Head	B = Black	TA ³ = Time Delay 120VAC
RS12 = 12 Volt Lead Calcium	25 = 25 Watts	6 Volt Tungsten Wedge Base	2 = 2 Lamp Heads		TB ³ = Time Delay 277VAC
RS12N = 6 Volt NiCad	36 = 36 Watts	T0607 = 7 Watt	3 = 3 Lamp Heads		LC = 3' Line Cord
	60 = 60 Watts	T0609 = 9 Watt	4 = 4 Lamp Heads		220V ² = 220-240VAC 50Hz
	100 = 100 Watts	6 Volt Tungsten Sealed Beam			
	6 Volt, NiCad	R0608 = 8 Watt			Accessories⁴ (Field Installed)
	18 = 18 Watts	R0618 = 18 Watt			WG-A = Wire Guard (Back Mount)
	25 = 25 Watts	R0625 = 25 Watt			XG-PS = Poly Guard (Back Mount)
	36 = 36 Watts	12 Volt Tungsten Wedge Base			
	60 = 60 Watts	T1209 = 9 Watt			
	90 = 90 Watts	T1212 = 12 Watt			
	12 Volt, Lead Calcium	T1218 = 18 Watt			
	50 = 50 Watts	12 Volt Tungsten Sealed Beam			
	75 = 75 Watts	R1212 = 12 Watt			
	100 = 100 Watts	R1218 = 18 Watt			
	125 = 125 Watts	R1225 = 25 Watt			
	140 = 140 Watts				
	12 Volt, NiCad				
	25 = 25 Watts				
	36 = 36 Watts				
	65 = 65 Watts				
	90 = 90 Watts				

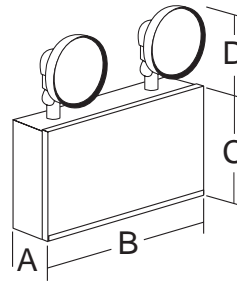
¹ Alternate lamp heads are available, see Remote Lamp Heads specification sheet or consult factory

² Up to 54 watt only

³ Not available on units with NiCad battery

⁴ Order as separate line item

STEEL EMERGENCY LIGHTING RS18-140

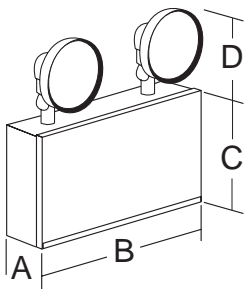


	18-36W	50-65W	75-100W	125-140W
A	2.89"	2.94"	4.55"	4.55"
B	11.62"	13.29"	13.29"	16.09"
C	5.25"	8.00"	8.50"	8.50"
D	6.00"	6.00"	6.00"	6.00"

RS120-360 STEEL HIGH WATTAGE EMERGENCY LIGHTING



DIMENSIONS



	120-200W	250-360W
A	6.00"	6.00"
B	13.00"	18.00"
C	10.00"	10.00"
D	6.00"	6.00"

FEATURES

- Enclosure constructed of rugged 20 gauge steel
- Available in 6, 12 or 24 volt with wattages ranging from 120-360 watts with knockouts for side mounted heads allowing for up to 4 lamp heads per unit
- Charge rate/power "ON" LED indicator light with test button
- AC lockout for ease of installation and installer protection
- Low voltage disconnect eliminates deep discharge
- Brown-out, short circuit and voltage surge protection
- Maintenance-free lead acid battery
- Optional NiCad battery available
- ETL listed 90 minute emergency run time, 24 hour recharge time
- Optional Guardian Self-Test/Self-Diagnostics (G2) available
- Optional time delay feature available
- Standard finish: Black or white
- 120/277V dual primary, 60Hz input
- 3 year warranty with separate 5 year pro-rated battery warranty
- Fixture series may be built to comply with the American Recovery and Reinvestment Act of 2009 (ARRA) requirements and Buy American provisions - call factory for details

EMERGENCY LIGHTS



Specifications are subject to change without notice

ORDERING INFORMATION

Example: RS12-200-T1218-2-W-G2

Series	Wattage	Lamp Heads ¹	# Of Lamp Heads	Finish	Options (Factory Installed)
RS6 = 6 Volt Lead Calcium	6 Volt, Lead Calcium	6 or 12 Volt LED	0 = No Lamps	W = White	G2 = Self-Test/Self-Diagnostics
RS12 = 12 Volt Lead Calcium	120 = 120 Watts	REN-2 = Renegade 3.6W LED	1 = 1 Lamp Head	B = Black	TA ² = Time Delay 120VAC
RS12N = 12 Volt NiCad	200 = 200 Watts	6 Volt Tungsten Wedge Base	2 = 2 Lamp Heads		TB ² = Time Delay 277VAC
RS24 = 24 Volt Lead Calcium	12 Volt, Lead Calcium	T0607 = 7 Watt	3 = 3 Lamp Heads		LC = 3' Line Cord
RS24N = 24 Volt NiCad	200 = 200 Watts	T0609 = 9 Watt	4 = 4 Lamp Heads		USA = Meets Buy American Requirements
	360 = 360 Watts	6 Volt Tungsten Sealed Beam			
	12 Volt, NiCad	R0608 = 8 Watt			Accessories³ (Field Installed)
	130 = 130 Watts	R0618 = 18 Watt			WG-A = Wire Guard (Back Mount)
	360 = 360 Watts	R0625 = 25 Watt			XG-PS = Poly Guard (Back Mount)
	12 Volt, NiCad	12 Volt Tungsten Wedge Base			
	130 = 130 Watts	T1209 = 9 Watt			
	24 Volt, Lead Calcium	T1212 = 12 Watt			
	200 = 200 Watts	T1218 = 18 Watt			
	360 = 360 Watts	12 Volt Tungsten Sealed Beam			
	24 Volt, NiCad	R1212 = 12 Watt			
	200 = 200 Watts	R1218 = 18 Watt			
	250 = 250 Watts	R1225 = 25 Watt			
	360 = 360 Watts				

¹ Alternate lamp heads are available, see Remote Lamp Heads specification sheet or consult factory

² Not available on units with NiCad battery

³ Order as separate line item

FEATURES

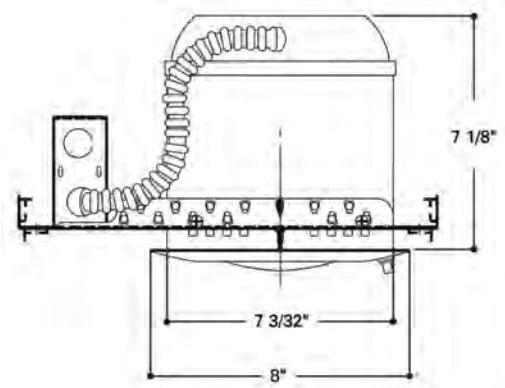
- Compact, flush-mount, recessed emergency unit designed to blend in a variety of applications
- Completely self-contained
- Adjustable aiming angle
- Includes 8W bi-pin halogen lamp
- Suitable for damp locations
- Charge rate/power "ON" LED indicator light with test button
- Low voltage disconnect eliminates deep discharge
- Maintenance-free lead acid battery
- UL listed 90 minute emergency run time, 24 hour recharge time
- Standard finishes: Black or white
- 120/277V dual primary, 60Hz input
- 3 year warranty with separate 5 year pro-rated battery warranty

RECESSED ADJUSTABLE GIMBAL RING
EMERGENCY LIGHTING

RDG



DIMENSIONS



Specifications are subject to change without notice

ORDERING INFORMATION

Example: RDG-6-8-WH

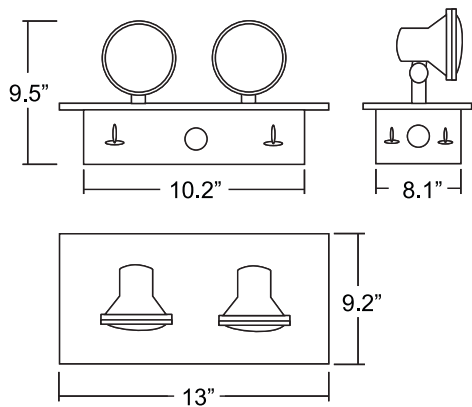
Series	Voltage	Lamp	Finish
RDG	6 = 6 Volt	8 = 8 Watt Halogen	WH = White
			BL = Black



FEATURES

- Compact, flush-mount design
- Enclosure constructed of 22 gauge welded steel
- Unit comes standard with two, high-impact, thermoplastic PAR 36 lamps (voltage and wattage depend on unit selected)
- Low voltage disconnect eliminates deep discharge
- Brown-out, short circuit and voltage surge protection
- Overcharge protection
- Maintenance-free lead acid battery
- Optional NiCad battery available
- Universal Recessed Mounting - Ceiling or wall mount
- UL listed 90 minute emergency run time, 24 hour recharge time
- Optional Guardian Self-Test/Self-Diagnostics (G2) available
- Standard finish: White
- 120/277V dual primary, 60Hz input
- 3 year warranty with separate 5 year pro-rated battery warranty
- Complete fixture series meets American Recovery and Reinvestment Act of 2009 (ARRA) requirements and Buy American provisions

DIMENSIONS



EMERGENCY LIGHTS



Specifications are subject to change without notice

ORDERING INFORMATION

Example: RM6-18-T0609-2-W-G2

Series	Wattage	Lamp Heads ¹	# of Lamps	Finish	Options (Factory Installed)
RM6 = 6 Volt Lead Acid	6 Volt Lead Calcium	6 or 12 Volt LED	2 = 2 Lamps	W = White	G2 = Self-Test/Self-Diagnostics
RM6N = 6 Volt NiCad	12 = 12 Watt	REN-2 = Renegade 3.6W LED			TA = Time Delay 120VAC
RM12 = 12 Volt Lead Acid	18 = 18 Watt	6 Volt Tungsten Wedge Base			TB = Time Delay 277VAC
RM12N = 12 Volt NiCad	27 = 27 Watt	T0607 = 7 Watt			CC = Custom Finish
	36 = 36 Watt	T0609 = 9 Watt			
	6 Volt NiCad	6 Volt Halogen			Accessories² (Field Installed)
	12 = 12 Watt	T06H12 = 12 Watt			WG-90 = Wire Guard (Back Mount)
	18 = 18 Watt	12 Volt Tungsten Wedge Base			XG-PS = Poly Guard (Back Mount)
	27 = 27 Watt	T1209 = 9 Watt			
	36 = 36 Watt	T1212 = 12 Watt			
	12 Volt Lead Calcium	T1218 = 18 Watt			
	36 = 36 Watt	12 Volt Sealed Beam Halogen			
	12 Volt NiCad	R12H08 = 8 Watt			
	36 = 36 Watt	R12H12 = 12 Watt			

¹ Alternate lamp heads are available, see Remote Lamp Heads specification sheet or consult factory

² Order as separate line item

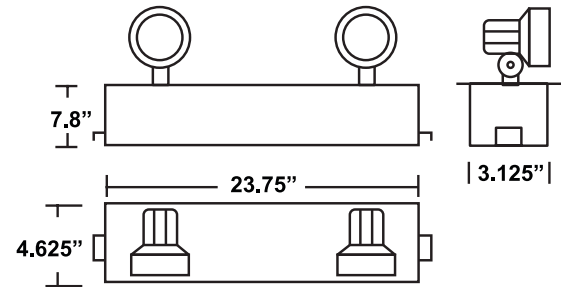
FEATURES

- Compact, flush-mount design
- Enclosure constructed of 20 gauge welded steel
- Unit comes standard with two, high-impact, thermoplastic PAR 36 lamps (voltage and wattage depend on unit selected)
- Low voltage disconnect eliminates deep discharge
- Brown-out, short circuit and voltage surge protection
- Overcharge protection
- Maintenance-free lead acid battery
- Optional NiCad battery available
- Universal Recessed Mounting - Ceiling or wall mount
- UL listed 90 minute emergency run time, 24 hour recharge time
- Optional Guardian Self-Test/Self-Diagnostics (G2) available
- Standard finish: White
- 120/277V dual primary, 60Hz input
- 5 year warranty with separate 5 year pro-rated battery warranty
- Fixture series may be built to comply with the American Recovery and Reinvestment Act of 2009 (ARRA) requirements and Buy American provisions - call factory for details

RECESSED T-BAR EMERGENCY LIGHTING CR



DIMENSIONS



Specifications are subject to change without notice

ORDERING INFORMATION

Example: CR6-18-T0609-2-W-G2

Series	Wattage	Lamp Heads ¹	# of Lamps	Finish	Options (Factory Installed)
CR6 = 6 Volt Lead Acid	6 Volt Lead Calcium	6 or 12 Volt LED	2 = 2 Lamps	W = White	G2 = Self-Test/Self-Diagnostics
CR6N = 6 Volt NiCad	12 = 12 Watt	REN-2 = Renegade 3.6W LED			TA = Time Delay 120VAC
CR12 = 12 Volt Lead Acid	18 = 18 Watt	6 Volt Tungsten Wedge Base			TB = Time Delay 277VAC
CR12N = 12 Volt NiCad	27 = 27 Watt	T0607 = 7 Watt			CC = Custom Finish
	36 = 36 Watt	T0609 = 9 Watt			USA = Meets Buy American Requirements
	6 Volt NiCad	6 Volt Halogen			Accessories² (Field Installed)
	12 = 12 Watt	T06H12 = 12 Watt			WG-7 = Wire Guard (Back Mount)
	18 = 18 Watt	12 Volt Tungsten Wedge Base			XG-EL90 = Poly Guard (Back Mount)
	27 = 27 Watt	T1209 = 9 Watt			
	36 = 36 Watt	T1212 = 12 Watt			
	12 Volt Lead Calcium	T1218 = 18 Watt			
	36 = 36 Watt	12 Volt Sealed Beam Halogen			
	12 Volt NiCad	R12H08 = 8 Watt			
	36 = 36 Watt	R12H12 = 12 Watt			

¹ Alternate lamp heads are available, see Remote Lamp Heads specification sheet or consult factory

² Order as separate line item



Designed To Fit Your Code Applications

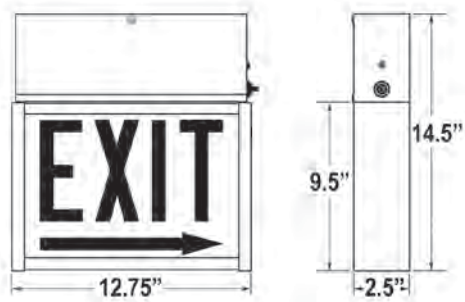
Local code requirements are not a problem for Barron Lighting Group. Our in house engineering and manufacturing facilities give us the flexibility to specifically tailor product to meet your needs. Contact Barron for more information.



Special Code Requirements



DIMENSIONS



FEATURES

- Meets City of Chicago Emergency requirements
- Enclosure constructed of rugged 20 gauge steel
- Exit illuminated with high-output, long-life white LEDs
- Translucent glass panels
- Charge rate/power "ON" LED indicator light with test button
- Maintenance-free lead calcium battery
- Universal Mounting - Ceiling, wall or end mount
- UL listed 90 minute emergency run time, 24 hour recharge time
- Fully-illuminated 6" characters with 3/4" stroke
- Specify arrow configuration when ordering
- Optional Guardian Self-Test/Self-Diagnostics (G2) available
- 120/277V dual primary, 60Hz input
- Standard finishes: Black or white
- 3 year warranty with separate 5 year pro-rated battery warranty
- Complete fixture series meets American Recovery and Reinvestment Act of 2009 (ARRA) requirements and Buy American provisions



Specifications are subject to change without notice

ORDERING INFORMATION

Example: CSX-WB-2-3-1-3-W-G2

Series	Power Source	Configuration ¹	Panel Code ²	Light Source	Input	Finish	Options (Factory Installed)
CSX	LB = AC Only	2 = Single Face	Single Face	1 = LED	3 = 120/277VAC	W = White	G2 = Self-Test/Self-Diagnostics
	WB = With Battery	3 = Double Face	3 = Exit			BL = Black	CC ³ = Custom Color
			6 = Exit ▶				
			9 = Exit ◀				
			12 = Exit ◀ ▶				Accessories⁴ (Field Installed)
			2 = Stairs				ER1-KIT = 1' Pendant Mount Kit
			5 = Stairs ▶				ER2-KIT = 2' Pendant Mount Kit
			8 = Stairs ◀				WG-7 = Wire Guard (Back Mount)
			11 = Stairs ◀ ▶				XG-6 = Poly Guard (Back Mount)
			Double Face				
			18 = Exit				
			21 = Exit ◀ or ▶				
			24 = Exit ◀ ▶				
			17 = Stairs				
			20 = Stairs ◀ or ▶				
			23 = Stairs ◀ ▶				

¹ Includes canopy

² All panels supplied with red letters on a white background

³ Consult factory

⁴ Order as separate line item

FEATURES

- Meets City of Chicago Emergency requirements
- Enclosure constructed of rugged 20 gauge steel
- Each fixed lamp head contains 6 volt, 12 watt, sealed beam, high-intensity, tungsten lamps
- Remote capabilities (6 volt) - up to 24 watts, when ordered with EL0 option
- Exit illuminated with high-output, long-life white LEDs
- Translucent glass panels
- Charge rate/power "ON" LED indicator light with test button
- Maintenance-free lead calcium battery
- Universal Mounting - Ceiling or wall mount
- UL listed 90 minute emergency run time, 24 hour recharge time
- Fully-illuminated 6" characters with 3/4" stroke
- Specify arrow configuration when ordering
- Optional Guardian Self-Test/Self-Diagnostics (G2) available
- 120/277V dual primary, 60Hz input
- Standard finishes: Black or white
- 3 year warranty with separate 5 year pro-rated battery warranty
- Complete fixture series meets American Recovery and Reinvestment Act of 2009 (ARRA) requirements and Buy American provisions



Specifications are subject to change without notice

ORDERING INFORMATION

Example: CSX-2-3-1-3-W-EL2-G2

Series	Configuration ¹	Panel Code ²	Light Source	Input	Finish	Options (Factory Installed)
CSX	2 = Single Face	Single Face	1 = LED	3 = 120/277VAC	W = White	EL0 = 24 Watts Remote Capacity
	3 = Double Face	3 = Exit			BL = Black	EL2 = (2) 6V/12W Halogen Lamps
		6 = Exit ►				G2 = Self-Test/Self-Diagnostics
		9 = Exit ◀				CC ³ = Custom Color
		12 = Exit ◀ ►				
		2 = Stairs				
		5 = Stairs ►				
		8 = Stairs ◀				
		11 = Stairs ◀ ►				
		Double Face				
		18 = Exit				
		21 = Exit ◀ or ►				
		24 = Exit ◀ ►				
		17 = Stairs				
	20 = Stairs ◀ or ►					
	23 = Stairs ◀ ►					

¹ Includes canopy

² All panels supplied with red letters on a white background

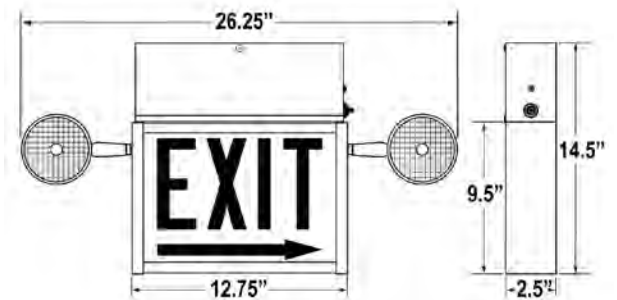
³ Consult factory

⁴ Order as separate line item

CHICAGO APPROVED
STEEL LED COMBO CSX



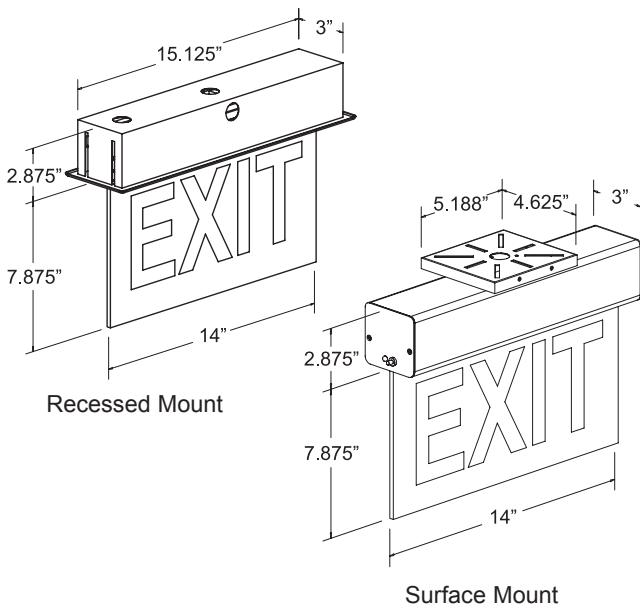
DIMENSIONS



CHICAGO APPROVED



DIMENSIONS



FEATURES

- Meets City of Chicago Emergency requirements
- Die-cast aluminum housing
- High clarity, optically true, acrylic panels
- Exit illuminated with high-output, long-life white LEDs
- AC lockout for ease of installation and installer protection
- Charge rate/power "ON" LED indicator light with test button
- Maintenance-free NiCad battery
- Recessed and surface mount
- UL listed 90 minute emergency run time, 24 hour recharge time
- Fully-illuminated 6" characters with 3/4" stroke
- Specify arrow configuration when ordering
- Optional Guardian Self-Test/Self-Diagnostics (G2) available
- 120/277V dual primary, 60Hz input
- Standard finishes: Black, white and brushed aluminum
- 3 year warranty with separate 5 year pro-rated battery warranty
- Complete fixture series meets American Recovery and Reinvestment Act of 2009 (ARRA) requirements and Buy American provisions



Specifications are subject to change without notice

ORDERING INFORMATION

Example: CXES-WB-2-3-1-3-W-G2

Series	Power Source	Configuration ¹	Panel Code ²	Light Source	Input	Finish	Options (Factory Installed)
CXES = Surface	LB = AC Only	2 = Single Face Ceiling/End Mount	Single Face	1 = LED	3 = 120/277VAC	W = White	G2 = Self-Test/Self-Diagnostics
CXER = Recessed	WB = With Battery	3 = Double Face Ceiling/End Mount	3 = Exit			BL = Black	PL ³ = Plenum Rated Housing
			6 = Exit ▶			BA = Brushed Alum.	
			9 = Exit ◀				
			12 = Exit ◀▶				Accessories⁴ (Field Installed)
			2 = Stairs				ER1-KIT = 1' Pendant Mount Kit
			5 = Stairs ▶				ER2-KIT = 2' Pendant Mount Kit
			8 = Stairs ◀				
			11 = Stairs ◀▶				
			Double Face				
			18 = Exit				
			21 = Exit ◀ or ▶				
			24 = Exit ◀▶				
			17 = Stairs				
			20 = Stairs ◀ or ▶				
			23 = Stairs ◀▶				

¹ Includes canopy, end mount not available on recessed units
² All panels supplied with red letters on a white background

³ Recessed only, consult factory
⁴ Order as separate line item

FEATURES

- Meets City of Chicago Emergency requirements
- Compact, flush-mount design
- Enclosure constructed of 22 gauge welded steel
- Unit comes standard with two, high-impact, steel PAR 36 lamps (voltage and wattage depend on unit selected)
- Low voltage disconnect eliminates deep discharge
- Brown-out, short circuit and voltage surge protection
- Overcharge protection
- Maintenance-free lead acid battery
- Optional NiCad battery available
- Universal Recessed Mounting - Ceiling or wall mount
- UL listed 90 minute emergency run time, 24 hour recharge time
- Optional Guardian Self-Test/Self-Diagnostics (G2) available
- Standard finish: White
- 120/277V dual primary, 60Hz input
- 3 year warranty with separate 5 year pro-rated battery warranty
- Fixture series may be built to comply with the American Recovery and Reinvestment Act of 2009 (ARRA) requirements and Buy American provisions - call factory for details



Specifications are subject to change without notice

ORDERING INFORMATION

Example: RM6-18-D0609-2-W-G2

Series	Wattage	Lamp Heads ¹	# of Lamps	Finish	Options (Factory Installed)
RM6 = 6 Volt Lead Acid	6 Volt Lead Calcium	6V Tungsten Wedge Base	2 = 2 Lamps	W = White	G2 = Self-Test/Self-Diagnostics
RM12 = 12 Volt Lead Acid	12 = 12 Watt	D0607 = 7 Watt			TA = Time Delay 120VAC
RM6N = 6 Volt NiCad	18 = 18 Watt	D0609 = 9 Watt			TB = Time Delay 277VAC
RM12N = 12 Volt NiCad	27 = 27 Watt	6V Halogen			CC = Custom Finish
	36 = 36 Watt	D06H12 = 12 Watt			USA = Meets Buy American Requirements
	12 Volt Lead Calcium	12V Tungsten Wedge Base			Accessories² (Field Installed)
	36 = 36 Watt	D1209 = 9 Watt			WG-90 = Wire Guard (Back Mount)
	6 Volt NiCad	D1212 = 12 Watt			XG-PS = Poly Guard (Back Mount)
	12 = 12 Watt	D1218 = 18 Watt			
	18 = 18 Watt	12V Sealed Beam Halogen			
	27 = 27 Watt	S12H08 = 8 Watt			
	36 = 36 Watt	S12H12 = 12 Watt			
	12 Volt NiCad				
	36 = 36 Watt				

¹ Suggested lamp heads are listed, other lamp options available

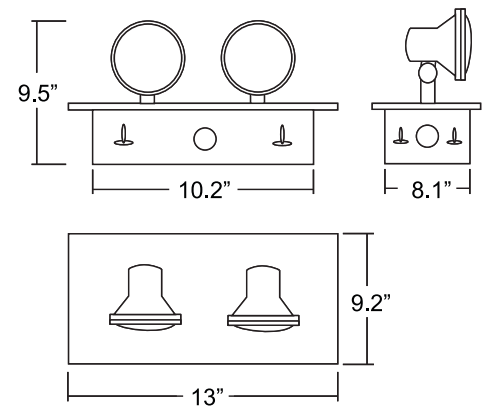
² Order as separate line item

CHICAGO APPROVED
RECESSED EMERGENCY LIGHT

RM



DIMENSIONS

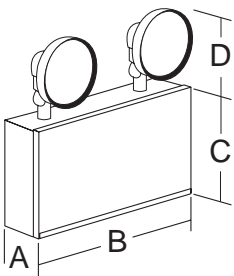


CHICAGO APPROVED

RS18-140 CHICAGO APPROVED STEEL EMERGENCY LIGHTING



DIMENSIONS



	18-36W	50-65W	75-100W	125-140W
A	2.89"	2.94"	4.55"	4.55"
B	11.62"	13.29"	13.29"	16.09"
C	5.25"	8.00"	8.50"	8.50"
D	6.00"	6.00"	6.00"	6.00"

FEATURES

- Meets City of Chicago Emergency requirements
- Enclosure constructed of rugged 20 gauge steel
- Available in 6 or 12 volt with wattages ranging from 18-140 watts with knockouts for side mounted heads allowing for up to 4 lamp heads per unit
- Charge rate/power "ON" LED indicator light with test button
- AC lockout for ease of installation and installer protection
- Low voltage disconnect eliminates deep discharge
- Brown-out, short circuit and voltage surge protection
- Maintenance-free lead acid battery
- Optional NiCad battery available
- UL listed 90 minute emergency run time, 24 hour recharge time
- Optional Guardian Self-Test/Self-Diagnostics (G2) available
- Optional time delay feature available
- Standard finish: Black or white
- 120/277V dual primary, 60Hz input
- 3 year warranty with separate 5 year pro-rated battery warranty
- Complete fixture series meets American Recovery and Reinvestment Act of 2009 (ARRA) requirements and Buy American provisions



Specifications are subject to change without notice

ORDERING INFORMATION

Example: RS6-25-D0608-2-W-G2

Series	Wattage	Lamp Heads ¹	# Of Lamp Heads	Finish	Options (Factory Installed)
RS6 = 6 Volt Lead Calcium	6 Volt, Lead Calcium	6 Volt Tungsten	0 = No Lamps	W = White	G2 = Self-Test/Self-Diagnostics
RS6N = 6 Volt NiCad	18 = 18 Watts	D0608 = 8 Watt	1 = 1 Lamp Head	B = Black	TA = Time Delay 120VAC
RS12 = 12 Volt Lead Calcium	25 = 25 Watts	D0618 = 18 Watt	2 = 2 Lamp Heads		TB = Time Delay 277VAC
RS12N = 6 Volt NiCad	36 = 36 Watts	D0625 = 25 Watt	3 = 3 Lamp Heads		LC = 3' Line Cord
	60 = 60 Watts	12 Volt Tungsten	4 = 4 Lamp Heads		220V ² = 220-240VAC 50Hz
	100 = 100 Watts	D1212 = 12 Watt			
	6 Volt, NiCad	D1218 = 18 Watt			Accessories³ (Field Installed)
	18 = 18 Watts	D1225 = 25 Watt			WG-A = Wire Guard (Back Mount)
	25 = 25 Watts	D1230 = 30 Watt			XG-PS = Poly Guard (Back Mount)
	36 = 36 Watts	6 Volt Tungsten Sealed Beam			
	60 = 60 Watts	S0608 = 8 Watt			
	90 = 90 Watts	S0618 = 18 Watt			
	12 Volt, Lead Calcium	S0625 = 25 Watt			
	50 = 50 Watts	6 Volt Halogen Sealed Beam			
	75 = 75 Watts	S06H08 = 8 Watt			
	100 = 100 Watts	S06H12 = 12 Watt			
	125 = 125 Watts	12 Volt Tungsten Sealed Beam			
	140 = 140 Watts	S1212 = 12 Watt			
	12 Volt, NiCad	S1218 = 18 Watt			
	25 = 25 Watts	S1225 = 25 Watt			
	36 = 36 Watts	S1230 = 30 Watt			
	65 = 65 Watts	12 Volt Halogen Sealed Beam			
	90 = 90 Watts	S12H08 = 8 Watt			
	125 = 125 Watts	S12H12 = 12 Watt			
		S12H25 = 25 Watt			
		S12H35 = 35 Watt			
		S12H50 = 50 Watt			

¹ Alternate lamp heads are available, see Remote Lamp Heads specification sheet or consult factory

² Up to 54 watt only

³ Order as separate line item

FEATURES

- Meets City of Chicago Emergency requirements
- Available in 6 or 12 volt with wattages ranging from 18-54 watts
- Allows for up to 4 lamp heads mounted per unit
- Enclosure constructed of rugged 20 gauge steel
- Designed specifically for T-bar style ceilings grid systems
- Maintenance-free lead acid battery
- UL listed 90 minute emergency run time, 24 hour recharge time
- Charge rate/power "ON" LED indicator light with test button
- Optional Guardian Self-Test/Self-Diagnostics (G2) available
- Optional time delay feature available
- Standard finish: White
- 120/277V dual primary, 60Hz input
- 5 year warranty with separate 5 year pro-rated battery warranty
- Complete fixture series meets American Recovery and Reinvestment Act of 2009 (ARRA) requirements and Buy American provisions



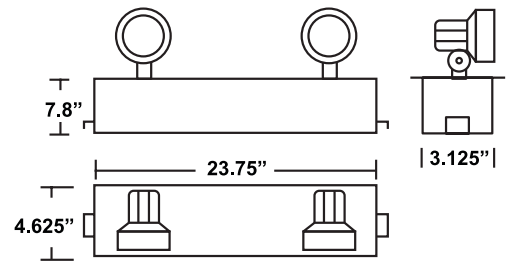
Specifications are subject to change without notice

CHICAGO APPROVED
RECESSED T-BAR EMERGENCY LIGHTING

CR



DIMENSIONS



ORDERING INFORMATION

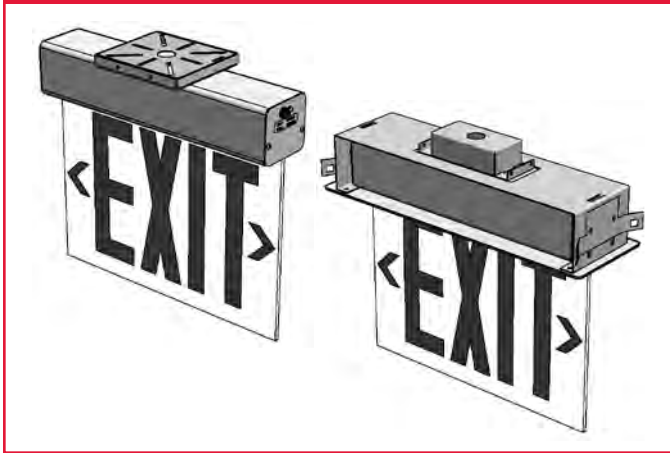
Example: CR6-18-D0609-2-G2

Series	Wattage	Lamp Heads ¹	# of Lamps	Options (Factory Installed)
CR6 = 6 Volt	6 Volt	6V Tungsten Wedge Base	0 = No Lamps	G2 = Self-Test/Self-Diagnostics
CR12 = 12 Volt	18 = 18 Watt	D0607 = 7 Watt	1 = 1 Lamp	G2AA = G2 w/Audible Alarm
	27 = 27 Watt	D0609 = 9 Watt	2 = 2 Lamps	TD = Time Delay 120/277VAC
	36 = 36 Watt	6V Halogen	3 = 3 Lamps	LC = 3" Line Cord
	54 = 54 Watt	D06H08 = 8 Watt	4 = 4 Lamps	
	12 Volt	D06H10 = 10 Watt		Accessories² (Field Installed)
	54 = 54 Watt	D06H12 = 12 Watt		WG-7 = Wire Guard (Back Mount)
		12V Tungsten Wedge Base		XG-EL90 = Poly Guard (Back Mount)
		D1209 = 9 Watt		
		D1212 = 12 Watt		
		D1218 = 18 Watt		
		12V Sealed Beam Halogen		
		S12H08 = 8 Watt		
		S12H12 = 12 Watt		

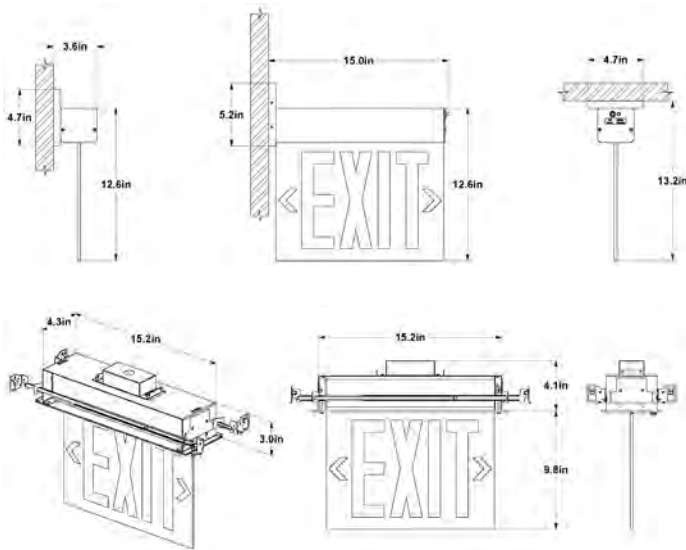
¹ Suggested lamp heads are listed, other lamp options available

CHICAGO APPROVED

NY900 NEW YORK APPROVED LED EDGE-LIT EXIT



DIMENSIONS



FEATURES

- Meets City of New York Emergency Code requirements
- Truly universal ("-83") model includes surface mounting canopy as well as back box for recessed mounting in single and double faced applications
- Attractive specification-grade aluminum extrusion design
- High clarity, optically true, acrylic panels
- Recessed and surface mount - Ceiling or wall mount
- Custom legends or pictures available
- ETL listed 90 minute emergency run time, 24 hour recharge time
- Low voltage disconnect eliminates deep discharge
- Brown-out, short circuit and voltage surge protection
- Maintenance-free lead acid battery
- Optional NiCad battery available
- Optional Guardian Self-Test/Self-Diagnostics (G2) available
- NiMH battery standard with G2 option
- Constant, uniform illumination by long-life, high intensity, red LEDs
- Fully-illuminated 8" characters with 1" stroke
- Field applicable chevrons provided
- Standard finishes: Black, white and brushed aluminum
- 25 year warranty with separate 5 year pro-rated battery warranty
- Complete fixture series meets American Recovery and Reinvestment Act of 2009 (ARRA) requirements and Buy American provisions



Specifications are subject to change without notice

ORDERING INFORMATION

Example: NY903-U-WB-RM-ZC-BA-83

Series	Mounting	Power Source	Panel Color	Arrow Configuration	Finish	Options (Factory Installed)
NY902 = Single Face	U = Universal Surface	LB = AC Only	RC = Red Letters/Clear Panel	ZC ² = Zero Chevrons	WH = White	83 ³ = Fully Universal
NY903 = Double Face	R = Recessed	WB = With Battery	RW = Red Letters/White Panel		BL = Black	G2 ¹ = Self-Test/Self-Diagnostics
		NC ¹ = NiCad	RM = Red Letters/Mirror Panel		BA = Brushed Alum.	G2AA ¹ = G2 w/Audible Alarm
			GC = Green Letters/Clear Panel			DR = Damp Location Rated
			GW = Green Letters/White Panel			FL = Flasher
			GM = Green Letters/Mirror Panel			BZ = Buzzer
						FB = Flasher & Buzzer
						A1 = Fire Alarm Interface w/FL Option
						A2 = Fire Alarm Interface w/FB Option
						Accessories⁴ (Field Installed)
						ER1-KIT = 1' Pendant Mount Kit
						ER2-KIT = 2' Pendant Mount Kit

¹ G2 options come standard with NiMH batteries, not available with NiCad

² Includes field applicable chevrons

³ Includes Single Face & Double Face Panels, and hardware to support surface and recessed mounting, With Battery (WB), Brushed Aluminum (BA) units only

⁴ Order as separate line item, surface mount only

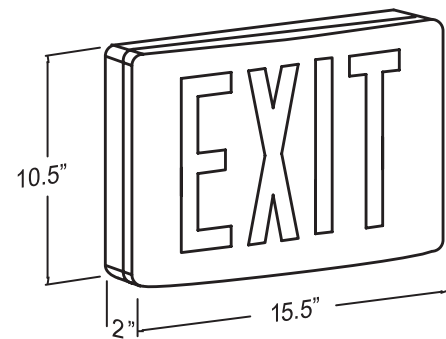
FEATURES

- Meets City of New York Emergency Code requirements
- Enclosure constructed of precision die-cast aluminum
- Universal style - includes 2 face plates, a back plate and mounting canopy
- Low voltage disconnect eliminates deep discharge
- Brown-out, short circuit and voltage surge protection
- Overcharge protection
- Maintenance-free NiCad battery
- Universal Mounting - Ceiling, back or end mount
- ETL listed 90 minute emergency run time, 24 hour recharge time
- Constant, uniform illumination by long-life, high intensity, red or green LEDs
- Fully-illuminated 8" characters with 1" stroke
- Optional Guardian Self-Test/Self-Diagnostics (G2) available
- Suitable for damp location
- Chevron-style, universal arrow knockouts
- 120/277V dual primary, 60Hz input
- Standard finishes: Black, white and brushed aluminum
- 5 year warranty with separate 5 year pro-rated battery warranty
- Fixture series may be built to comply with the American Recovery and Reinvestment Act of 2009 (ARRA) requirements and Buy American provisions - call factory for details

NEW YORK APPROVED
UNIVERSAL DIE-CAST LED EXIT **400U-8**



DIMENSIONS



Specifications are subject to change without notice

ORDERING INFORMATION

Example: 400U-8-WB-BA

Series	Power Source	Finish	Options (Factory Installed)
400U-8 = Red	LB = AC Only WB = With Battery	BL = Black w/ Alum. Face BB = Black w/ Black Face WH = White w/ Alum. Face WW = White w/ White Face BA = Brushed Alum. w/ Alum. Face	USA = Meets Buy American Requirements
			Accessories¹ (Field Installed)
			WG-6 = Wire Guard (Back Mount)
			XG-6 = Poly Guard (Back Mount)

¹ Order as separate line item, surface mount only

NEW YORK APPROVED

VEX-8 NEW YORK APPROVED
STEEL LED EXIT



DIMENSIONS



FEATURES

- Meets City of New York Emergency Code requirements
- Enclosure constructed of 22 gauge welded steel
- Universal style - includes 2 face plates, a back plate and mounting canopy
- Charge rate/power "ON" LED indicator light with test button
- Low voltage disconnect eliminates deep discharge
- Brown-out, short circuit and voltage surge protection
- Maintenance-free NiCad battery
- Universal Mounting - Ceiling, wall or end mount
- ETL listed 90 minute emergency run time, 24 hour recharge time
- Constant, uniform illumination by long-life, high intensity, red or green LEDs
- Fully-illuminated 8" characters with 1" stroke
- Chevron-style, universal arrow knockouts
- 120/277V dual primary, 60Hz input
- Standard finishes: White
- 5 year warranty with separate 5 year pro-rated battery warranty



Specifications are subject to change without notice

ORDERING INFORMATION

Example: VEX-8-S-WB-WH

Series	Housing Type	Power Source	Finish	Accessories ² (Field Installed)
VEX-8 = Red	S = Steel	LB = AC Only WB = With Battery	WH = White	WG-6 = Wire Guard (Back Mount) XG-6 = Poly Guard (Back Mount)

¹ Includes (2) faceplates, back plate and mounting canopy
² Order as separate line item, surface mount only

NEW YORK APPROVED

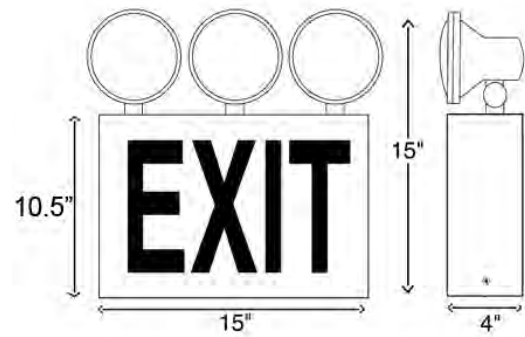
FEATURES

- Meets City of New York Emergency Code requirements
- Enclosure constructed of 22 gauge welded steel
- Universal style - includes 2 face plates, a back plate and mounting canopy
- Charge rate/power "ON" LED indicator light with test button
- Low voltage disconnect eliminates deep discharge
- Brown-out, short circuit and voltage surge protection
- Maintenance-free lead calcium battery
- Universal Mounting - Ceiling, wall or end mount
- ETL listed 90 minute emergency run time, 24 hour recharge time
- Constant, uniform illumination by long-life, high intensity, red or green LEDs
- Fully-illuminated 8" characters with 1" stroke
- Optional time delay feature available
- Chevron-style, universal arrow knockouts
- 120/277V dual primary, 60Hz input
- Standard finishes: White
- 5 year warranty with separate 5 year pro-rated battery warranty

NEW YORK APPROVED
STEEL LED COMBO **VEXC-8**



DIMENSIONS



Specifications are subject to change without notice

ORDERING INFORMATION

Example: VEXC-8-S-WB-WH-2

Series	Housing Type	Power Source	Finish	# of Lamps	Accessories ¹ (Field Installed)
VEXC-8 = Red	S = Steel	WB = With Battery	WH = White	BLANK = (3) 6V/9W PAR 36 Lamps 2 = (2) 6V/12W PAR 36 Lamps	WG-7 = Wire Guard (Back Mount)

¹ Order as separate line item, surface mount only

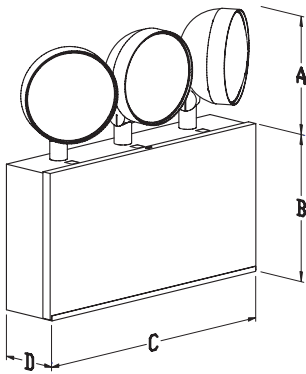
NY-LL NEW YORK APPROVED STEEL EMERGENCY LIGHT



FEATURES

- Meets City of New York Emergency Code requirements
- Enclosure constructed of rugged 20 gauge steel
- Available in 6 or 12 volt with wattages ranging from 18-54 watts - with knockouts allowing for up to 3 lamp heads per unit
- Charge rate/power "ON" LED indicator light with test button
- AC lockout for ease of installation and installer protection
- Low voltage disconnect eliminates deep discharge
- Brown-out, short circuit and voltage surge protection
- Maintenance-free lead acid battery
- ETL listed 90 minute emergency run time, 24 hour recharge time
- Optional Guardian Self-Test/Self-Diagnostics (G2) available
- Optional time delay feature available
- Standard finishes: White
- 120/277V dual primary, 60Hz input
- 1 year warranty with separate 5 year pro-rated battery warranty
- Fixture series may be built to comply with the American Recovery and Reinvestment Act of 2009 (ARRA) requirements and Buy American provisions - call factory for details

DIMENSIONS



WATTAGE	A	B	C	D
18-27 (2 heads)	6.00"	9"	10.25	2.5"
27-54 (3 heads)	6.00"	10.5"	14.5	2.5"



Specifications are subject to change without notice

ORDERING INFORMATION

Example: NY-LL6-54-T0609-3-W-L

Series	Wattage	Lamp Heads ¹	# of Lamp Heads	Finish	Options (Factory Installed)
NY-LL6 = 6 Volt	6 Volt	6 Volt Tungsten	0 = NO Lamps Heads	W = White	L ² = Large Box
NY-LL12 = 12 Volt	18 = 18 Watts	T0609 = 9 Watt	2 = 2 Lamp Heads		USA = Meets Buy American Requirements
	27 = 27 Watts	12 Volt Tungsten	3 = 3 Lamp Heads		
	54 = 54 Watts	T1209 = 9 Watt			
	12 Volt				
	36 = 36 Watts				
	54 = 54 Watts				

¹ Alternate lamp heads are available, see Remote Lamp Heads specification sheet or consult factory

² 18 - 27 watt units only

NEW YORK APPROVED



**LASER
IN USE**

CASHIER

Specialty & Custom Signs

specialty signs



FEATURES

Exitronix is pleased to announce the ultimate in LED sign flexibility. We have devised a simple and effective means to customize your signage needs utilizing LED technology. For years Exitronix has been a leader in LED lighting, now we are offering the ability to take advantage of the latest LED colors and brightness advancements.

Exitronix offers a wide array of alternate legends to suit a variety of applications.

AVAILABLE IN:

- 900 Series: Edge-lit
- 400 Series: Die-cast Aluminum]=
- 700 Series: Durable Steel
- VEX Series: Polycarbonate

Specifications are subject to change without notice

ORDERING INFORMATION & APPLICATION GUIDE

MEDICAL		DIRECTIONAL		OTHER	
DESCRIPTION	LEGEND CODE	DESCRIPTION	LEGEND CODE	DESCRIPTION	LEGEND CODE
"BEAM IN USE"	SS246	"AREA OF RESCUE ASSISTANCE" with ADA Symbol on Left	SS1	"BATTERY IN USE"	SS355
"CT SCAN IN USE"	SS410	"AREA OF RESCUE ASSISTANCE" with ADA Symbol on Right	SS284	"COURT IN SESSION"	SS116
"DARKROOM IN USE"	SS20	"RESTROOMS" (No Symbol)	SS131	"DARKROOM IN USE"	SS20
"HEARING ROOM IN USE"	SS268	"MEN" (No Symbol)	SS16	"IN USE"	SS24
"ISOLATION ROOM IN USE"	SS230	"WOMEN" (No Symbol)	SS17	"MEETING IN PROGRESS"	SS115
"LASER IN USE"	SS63	"FAMILY" (No Symbol)	SS404	"OCCUPIED"	SS22
"MAGNET IN USE"	SS240	"DO NOT ENTER WHEN LIT"	SS383	"ON THE AIR"	SS13
"MRI IN USE"	SS64	"DO NOT ENTER"	SS28	"QUIET PLEASE"	SS237
"RADIATION IN USE"	SS140	"ELEVATOR"	SS9	"RANGE IN USE"	SS148
"X-RAY IN USE"	SS12	"NOT AN EXIT"	SS85	"RECORDING"	SS211
"O.R. IN USE"	SS307	"SALIDA"	SS19	"ROOM IN USE"	SS30
		"STAIRS"	SS8	"STUDIO IN USE"	SS146
		"SORTIE"	SS274	"TESTING IN PROGRESS"	SS56
				"NO SMOKING"	SS406

Custom legends are defined as any legend not listed above - Call factory for quote on pricing and lead times.

FEATURES

Looking for something completely custom? Exitronix can display any custom message, company logo, or personalized option in any font, size or color to complement any application. So be creative and contact us for a personalized quotation on this unique offering.

AVAILABLE IN:

- 84 Series: Outdoor Aluminum
- 900 Series: Edge-lit
- 400 Series: Die-cast Aluminum
- 700 Series: Durable Steel
- VEX Series: Polycarbonate

custom signs



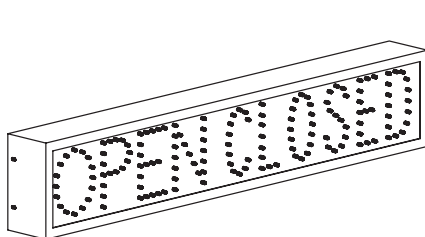
SPECIALTY SIGNS



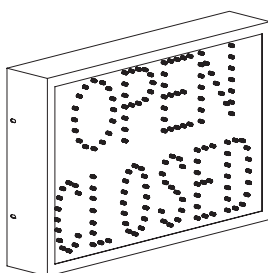


FEATURES

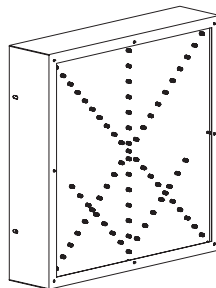
- Suitable for all outdoor locations
- High intensity LEDs offer excellent visibility, even in direct sunlight
- Energy consumption is less than 10 watts
- Maintenance free LEDs offer up to 100,000 hours of lamp life
- Installs in minutes with only a screwdriver
- Standard 120 VAC; Class 2 output
- High grade weather resistant aluminum frame
- Impact resistant, tinted polycarbonate cover
- Uniform illumination from all angles
- Optional illuminated operator control switches
- Optional mounting hardware for surface mount applications
- 5 year warranty
- Complete fixture series meets American Recovery and Reinvestment Act of 2009 (ARRA) requirements and Buy American provisions



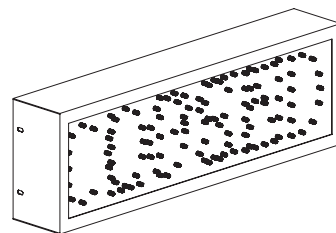
82-1



82-2



82-4



82-5



Specifications are subject to change without notice

ORDERING INFORMATION

Example: 82-5-1-01-0

Series	Size	Finish	Legend	Options (Factory Installed)	Accessories ³ (Field Installed)
82 = Direct View	1 = 32.6" x 6" x 3.25"	1 = BR	01 = Open/Closed	0 = None	SW1 = 1 Gang Switch
84 ¹ = Custom Face	2 = 17.9" x 11.6" x 3.25"	2 ² = BL	02 = ATM Lane	1 = Sun Visor	SW2 = 2 Gang Switch
	4 = 14" x 14" x 3.25"	3 ² = SA	03 = ATM Only	2 = Recessed Mount	SW3 = 3 Gang Switch
	5 = 19.5" x 6.25" x 3.25"		04 = X and ↓	3 = Canopy Kit	SW4 = 4 Gang Switch
			05 = ATM Teller		SW5 = 5 Gang Switch
			06 = X and ↓ (Double Row)		SW6 = 6 Gang Switch
			09 = Commercial		
			13 = ATM Open Closed Overlay		
			14 = ATM		

¹ Available in diffused only

² Black and Satin Aluminum are optional finishes, available at an additional cost - custom colors available, consult factory

³ Order as separate line item

Exitronix is pleased to announce the ultimate in LED sign flexibility. We have devised a simple and effective means to customize your signage needs utilizing LED technology. For years Exitronix has been a leader in LED lighting, now we are offering the ability to take advantage of the latest LED colors and brightness advancements and couple them with your custom signage needs.

Our 84 Series offers an attractive, low-profile weatherproof housing, designed with the extremes of the elements in mind. The 84 Series is the diffused version of our direct-view 82 Series, accommodating any custom message, company logo, or personalized option in any font, size or color to complement any application.



VISIBILITY/DISTANCE SPECIFICATIONS

Character Height	Maximum Readable Distance
1.5 inches	40 feet
2 inches	65 feet
2.5 inches	80 feet
3 inches	110 feet
4 inches	160 feet
6 inches	225 feet
8 inches	375 feet



Central Systems

FEATURES

The Tucson series of inverters offer reliable emergency back for smaller applications where less than 300 watts of emergency backup is required to run switched, normally-on or normally-off designated fixtures.

- Operates fluorescent, compact fluorescent, incandescent, quartz, LED and other lamp types
- Standard or electronic ballasts, dimming devices or panels, sensors and most control equipment
- Standard or LED Exits and other safety equipment
- Guardian Self Test / Self Diagnostics standard – includes LED monitoring

Indoor: Designed to be housed indoors where ambient temperatures range from 32 deg F to 104 deg F with humidity between 0-95% PH w/ no condensation.



INVERTERS
75 - 300 WATTS **MINI**

Series	Type	Range	Rating
Tucson	Mini	75W - 300W	INDOOR

FEATURES

The Phoenix, Verde 1 and Sonoran 1 series of inverters operate on a single phase electric current.

- Operates fluorescent, compact fluorescent, incandescent, quartz, H.I.D., LED and other lamp types
- Standard or electronic ballasts, dimming devices or panels, sensors and most control equipment
- Standard or LED Exits and other safety equipment
- Guardian Self Test / Self Diagnostics standard

Indoor: Designed to be housed indoors where ambient temperatures range from 32 deg F to 104 deg F with humidity between 0-95% PH w/ no condensation.

Outdoor: Designed to be housed indoors or outdoors where ambient temperatures range from -4 deg F to 122 deg F with humidity between 5-100% PH w/ no condensation. Cabinet is rated NEMA 3R.

Harsh: Designed to be housed indoors or outdoors where ambient temperatures range from -4 deg F to 140 deg F with humidity between 5-100% PH w/ no condensation. Cabinet is rated NEMA 4X or 12.



INVERTERS
350W - 21KW **SINGLE PHASE**

Series	Type	Range	Rating
Phoenix Compact	Single Phase	350W - 2000W	INDOOR
Phoenix	Single Phase	2.4KW - 4.2KW	INDOOR
Phoenix Plus	Single Phase	4.7KW - 21KW	INDOOR
Verde 1	Single Phase	75W - 21KW	OUTDOOR
Sonoran 1	Single Phase	75W - 21KW	HARSH

Specifications are subject to change without notice

THREE PHASE INVERTERS 75W - 125KW



FEATURES

The Sedona, Verde 3 and Sonoran 3 series of inverters operate on a three phase electric current offering a smooth transfer from normal to emergency backup power.

- Operates fluorescent, compact fluorescent, incandescent, quartz, H.I.D., LED and other lamp types
- Standard or electronic ballasts, dimming devices or panels, sensors and most control equipment
- Standard or LED Exits and other safety equipment
- Guardian Self Test / Self Diagnostics standard

Indoor: Designed to be housed indoors where ambient temperatures range from 32 deg F to 104 deg F with humidity between 0-95% PH w/ no condensation.

Outdoor: Designed to be housed indoors or outdoors where ambient temperatures range from -4 deg F to 122 deg F with humidity between 5-100% PH w/ no condensation. Cabinet is rated NEMA 3R.

Harsh: Designed to be housed indoors or outdoors where ambient temperatures range from -4 deg F to 140 deg F with humidity between 5-100% PH w/ no condensation. Cabinet is rated NEMA 4X or 12.

Series	Type	Range	Rating
Sedona	Three Phase	3KW - 125W	INDOOR
Verde 3	Three Phase	75W - 125KW	OUTDOOR
Sonoran 3	Three Phase	75W - 125KW	HARSH

Specifications are subject to change without notice



Fluorescent Emergency Ballasts



FEATURES

- UL Listed for factory or field installation
- Will cold start and operate all specified lamps
- 24 hour recharge time
- High temperature, maintenance free, nickel-cadmium battery
- Painted steel cases
- Damp location listed

EMERGENCY BALLASTS

Model	Minimum Initial Lumens	Lamps Operated		Linear Fluorescent Lamp Types					
		1	2**	T5	T8	T10	T12	U	CIRC
XEB-5-B-LM	350-450	X		8-14W	17-40W			32-40W	20-40W
XEB-5-B-LM-LP	350-400	X		8-28W	17-40W			32-40W	20-40W
XEB-7-B-LM	600-700	X		8-21W	17-110W			20-40W	
XEB-13	700-1400	X	X	14-54W	17-59W		17-59W		20-40W
XEB-13-CP	680-1350	X	X	28-54W	17-59W		17-59W		20-40W
XEB-14-LM	1100-1400	X	X	8-54W	17-215W			20-40W	20-40W
XEB-30-B-LM	1450-3500	X	X	8-54W	17-215W			20-40W	20-40W
XEB-3000	2300-3000	X	X	28-54W	25-96W		40-96W		55W
XEB-30-PAR	2600-3000		X	54W	28-32W		40W		
XEB-T5-5-B-LM	320-500	X		14-32W	14-32W	17-40W			
XEB-T5-8-B-LM	425-825	X		14-54W	17-40W				
XEB-T5-13-B-LM	600-1300	X		14-54W	17-40W				
XEB-42-CF-LM	350-750	X	X						
XEB-75-CF-B-LM	300-750	X	X						
XEB-420-CF-LM	600-1300	X	X						
XEB-420-CF-LM-CP	600-1300	X	X						
XEB-6-CF	350-650	X							
XEB-65-CF-B	300-650	X							

** Lamps operated may differ

The XEB Series Fluorescent Emergency Ballast allows the same fixture to be used for both normal and emergency operation when used in conjunction with an AC ballast.

If used in an emergency only fixture, no AC ballast is necessary. In the event of a power failure, the XEB instantly switches to the emergency mode and operates one or more of the existing lamps for 90 minutes.

The unit contains a battery, charger, and electronic circuit in a single can.

The XEB can be mounted in the wireway or on top of the fixture, and is U.L. Listed for factory installation or retrofit applications.

REMOTE MOUNTING

When battery packs are remote mounted, the remote distance cannot exceed 1/2 of the distance from ballast to lamp, as specified by the AC ballast manufacturer. The maximum allowable remote mounting distance is 50 ft. from the lamp.

CONFORMANCE TO CODES & STANDARDS

UL 924 listed for factory installations or field retrofit applications. Emergency illumination time exceeds the National Electric Code (NEC), Life Safety Code (NFPA-LSP), and U.L. 924 90 minute requirements.

CFL Types			ECO / Low Mercury Compatible (LM)	Self-Test / Diagnostics Option (G2)	Damp Location Rated (DR)	DIMENSIONS	NOTES
4P	LONG	2P					
13-39W	18-36W		X		X	9.4"x2.4"x1.5"	
13-26W	18W		X		X	9.6"x2.12"x1.12"	Low Profile
13-39W	18-36W		X		X	9.4"x2.4"x1.5"	
57-70W	36-55W				ADD "- DR"	13"x2.2"x1.25"	
57-70W	36-55W				ADD "- DR"	13.3"x2.375"x1.5"	Cold Location -18° to 55°C
13-42W	18-50W		X		X	13.3"x2.4"x1.5"	
13-42W	18-55W		X		X	16.3"x5.5"x1.7"	
26-70W	40-55W		X		ADD "- DR"	15"x3"x3"	
26-57W					ADD "- DR"	16.375"x3"x3"	Parallel Lamp Operation
			X		X	14.2"x1.18"x1.15"	
	17-55W		X		X	17.5"x1.18"x1.15"	
	17-55W		X		X	21.5"x1.22"x1.15"	
10-42W	18-36W		X		ADD "- DR"	9.5"x2.375"x1.5"	Remote test button / Flex included
13-42W			X		X	9.4"x2.4"x1.5"	Remote test button / Flex included
10-57W			X	ADD "-G2"	ADD "- DR"	13.3"x2.375"x1.5"	Remote test button / Flex included
10-70W			X	ADD "-G2"	ADD "- DR"	13.3"x2.375"x1.5"	Remote test button / Flex included Cold Location -18° to 55°C
		7-13W			ADD "- DR"	9.5"x2.375"x1.5"	Remote test button / Flex included
		10-26W			X	9.4"x2.4"x1.5"	Remote test button / Flex included



Renegade

Universal LED Remote Head

Break out of the ordinary!

Our exclusive high performing LED solution works
universally with any 6 or 12 volt battery system!



Remote Lamps & Retro-Fit Kits

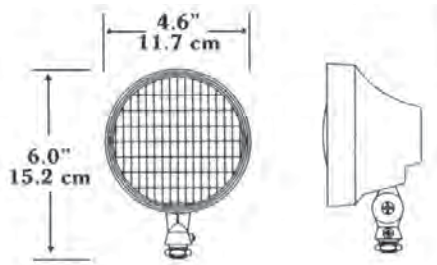
RENEGADE UNIVERSAL LED REMOTE LAMP



FEATURES

- 60 foot on center spacing with typical two lamp application
- Designed to operate from any 6V or 12V power source, no need to specify
- Each fully-adjustable, high-intensity lamp head contains 3 LEDs with individual, engineered refractors for maximum distribution - Total wattage 3.6W per head, comparable to 20 halogen lamps
- Uniform lighting pattern provides optimal illumination over required path of egress, typical two lamp fixture provides 60 foot center-to-center spacing
- Rugged, injection-molded UL94 V-0 flame retardant, high-temperature thermoplastic housing
- Available as remote or alternate head for traditional battery units
- Standard finish: White or black
- Complete fixture series meets American Recovery and Reinvestment Act of 2009 (ARRA) requirements and Buy American provisions

DIMENSIONS



Specifications are subject to change without notice

ORDERING INFORMATION

Example: REN-2-WH

Series	Watts	Finish	Accessories ² (Field Installed)
REN ¹	2 = 3.6 Watts	WH = White Housing w/White Face BB = Black Housing w/Black Face BL = Black Housing w/White Face	WPV-2 = Wet Location/Vandal Guard (Back Mount)

¹ Mounting plate not included

² Order as separate line item

REMOTES & RETRO-FIT

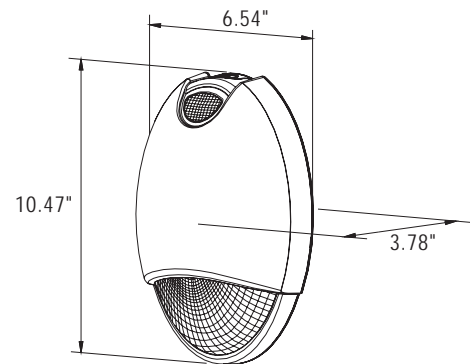
FEATURES

- Contemporary, low-profile, streamlined design with (2) 6V/6W Xenon lamps
- Die-cast aluminum housing
- Remote unit can be run from any 6 volt, emergency lighting unit with a minimum of 12 watts remote power
- External LED status indicator and test button
- Mirrored reflector for enhanced light output
- UL94-5VA flame retardant polycarbonate components
- UV stabilized, vandal resistant, polycarbonate lens
- Suitable for wet or damp location
- A 1/2 inch NPT threaded conduit opening is provided at the top of the enclosure and sealed with a closure plug
- Quick connect mounting back plate
- 120/277V dual primary, 60Hz input
- Standard finishes: Black, white or bronze

OUTDOOR REMOTE LAMP TRITON



DIMENSIONS



Specifications are subject to change without notice

ORDERING INFORMATION

Example: TR-RM-BR

Series	Style	Finish
TR = Triton	RM ¹ = Remote Unit Only	WH = White
		BL = Black
		BR = Dark Bronze

¹ Does not include battery or charging circuit, requires separate 6 volt power supply. Not available with any other options.

RDG-R RECESSED ADJUSTABLE GIMBLE RING REMOTE LAMP ASSEMBLY

- Constructed of rugged steel in neutral cream finish
- Mounting plate allows fast, easy installation in suspended T-grid or drywall ceilings
- Suitable for damp locations
- Adjustable, glare-free lighting head

Part No.	Volts	Watts	Type
RDG-R	6V	7.2W	Halogen



Mounting Plate & Trim: included
Lamp Head: RDG-R

L1D THERMOPLASTIC WEDGE BASE SQUARE REMOTE LAMP ASSEMBLY

- Constructed of impact resistant, UL 94 V-0 thermoplastic
- White or black with matching mounting plate included
- Add "2" prefix for double head mounting plates

Part No.	Volts	Watts	Type
L1D	6V	5.4W	Tungsten
L2D	6V	7.2W	Tungsten
L3D	6V	9W	Tungsten
L4D	12V	7.2W	Tungsten
L5D	12V	12W	Tungsten



Mounting Plate: included
Lamp Head: L1D



Mounting Plate: included
Lamp Head: 2L1D

L1H THERMOPLASTIC BI-PIN HALOGEN REMOTE LAMP ASSEMBLY

- Constructed of impact resistant, UL 94 V-0 thermoplastic
- White or black with matching mounting plate included
- 6 volt, 5 watt bi-pin halogen lamps
- Add "2" prefix for double head mounting plates

Part No.	Volts	Watts	Type
L1H	6V	5W	Halogen



Mounting Plate: included
Lamp Head: L1H



Mounting Plate: included
Lamp Head: 2L1H

Z1P-B THERMOPLASTIC WET LOCATION RATED REMOTE LAMP ASSEMBLY

- NEMA 4X rated sealed beam PAR 36
- Constructed of gray polycarbonate
- Lamp heads are fully gasketed
- Add "2" prefix for double head mounting plates

Part No.	Volts	Watts	Type	Color
Z1P-B	6V	7.2W	Tungsten	Gray
Z5P-B	12V	12W	Tungsten	Gray
Z14B-MP	6V	9W	Tungsten	Black
Z15B-MP	12V	12W	Tungsten	Black



Mounting Plate: included
Lamp Head: Z1P-B

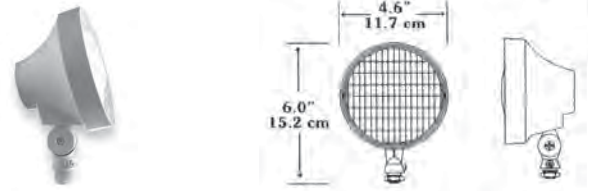


Mounting Plate: included
Lamp Head: 2Z1P

INDOOR THERMOPLASTIC ROUND
REMOTE LAMP **T Series**

- Constructed of impact-resistant, UL 94 V-0 thermoplastic
- Compatible with PMC and P series remote mounting plates (ordered separately, see page 100)

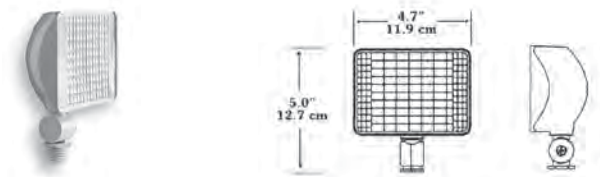
T SERIES	VOLTAGE	WATTAGE	CATALOG NO. THERMOPLASTIC		
			WHITE	BLACK	TAN
TUNGSTEN	6 VOLT	7	T0607W	T0607B	T0607T
		9	T0609W	T0609B	T0609T
	12 VOLT	9	T1209W	T1209B	T1209T
		12	T1212W	T1212B	T1212T
HALOGEN	6 VOLT	8	T06H08W	T06H08B	T06H08T
		10	T06H10W	T06H10B	T06H10T
	12 VOLT	12	T06H12W	T06H12B	T06H12T
		12	T12H12W	T12H12B	T12H12T



INDOOR THERMOPLASTIC SQUARE
REMOTE LAMP **P Series**

- Constructed of impact-resistant, UL 94 V-0 thermoplastic
- Compatible with PMC and P series remote mounting plates (ordered separately, see page 100)

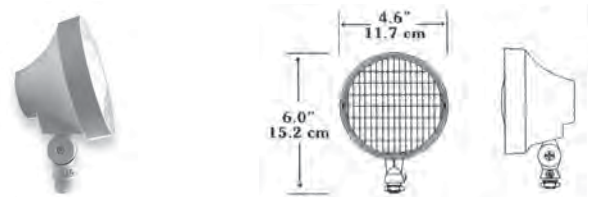
P SERIES	VOLTAGE	WATTAGE	CATALOG NO. POLYCARBONATE		
			WHITE	BLACK	TAN
TUNGSTEN	6 VOLT	7	P0607W	P0607B	P0607T
		9	P0609W	P0609B	P0609T
	12 VOLT	9	P1209W	P1209B	P1209T
		12	P1212W	P1212B	P1212T
12 VOLT	18	P1218W	P1218B	P1218T	



INDOOR THERMOPLASTIC SEALED
BEAM PAR 36 REMOTE LAMP **R Series**

- Constructed of impact-resistant, UL 94 V-0 thermoplastic
- Compatible with PMC and P series remote mounting plates (ordered separately, see page 100)

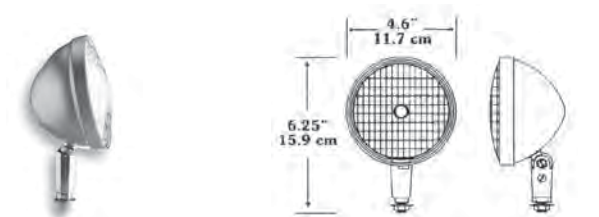
R SERIES	VOLTAGE	WATTAGE	CATALOG NO. THERMOPLASTIC		
			WHITE	BLACK	TAN
TUNGSTEN	6 VOLT	8	R0608W	R0608B	R0608T
		18	R0618W	R0618B	R0618T
		20	R0620W	R0620B	R0620T
		25	R0625W	R0625B	R0625T
		12	R1212W	R1212B	R1212T
HALOGEN	12 VOLT	18	R1218W	R1218B	R1218T
		20	R1220W	R1220B	R1220T
		25	R1225W	R1225B	R1225T
		8	R06H08W	R06H08B	R06H08T
		12	R06H12W	R06H12B	R06H12T
HALOGEN	12 VOLT	8	R12H08W	R12H08B	R12H08T
		12	R12H12W	R12H12B	R12H12T
		20	R12H20W	R12H20B	R12H20T
		25	R12H25W	R12H25B	R12H25T



INDOOR METAL/CHROME SEALED
BEAM PAR 36 REMOTE LAMP **S Series**

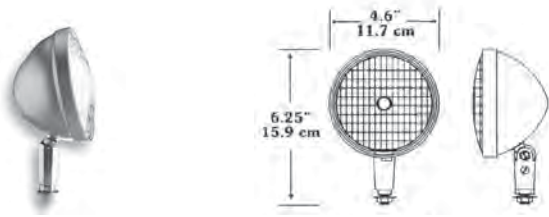
- Meets City of Chicago emergency requirements
- Constructed of impact-resistant, chrome plated or powder coated steel
- Compatible with SP and PMC series remote mounting plates (ordered separately, see page 100)

S SERIES	VOLTAGE	WATTAGE	CATALOG NO. METAL & CHROME		
			WHITE	BLACK	CHROME
TUNGSTEN	6 VOLT	8	S0608W	S0608B	S0608M
		18	S0618W	S0618B	S0618M
		20	S0620W	S0620B	S0620M
		25	S0625W	S0625B	S0625M
	12 VOLT	30	S0630W	S0630B	S0630M
		12	S1212W	S1212B	S1212M
HALOGEN	6 VOLT	18	S1218W	S1218B	S1218M
		25	S1225W	S1225B	S1225M
	12 VOLT	30	S1230W	S1230B	S1230M
		8	S06H08W	S06H08B	S06H08M
		12	S06H12W	S06H12B	S06H12M
		8	S12H08W	S12H08B	S12H08M
12 VOLT	12	S12H12W	S12H12B	S12H12M	
	25	S12H25W	S12H25B	S12H25M	
	35	S12H35W	S12H35B	S12H35M	
		50	S12H50W	S12H50B	S12H50M



D Series INDOOR METAL/CHROME ROUND REMOTE LAMP

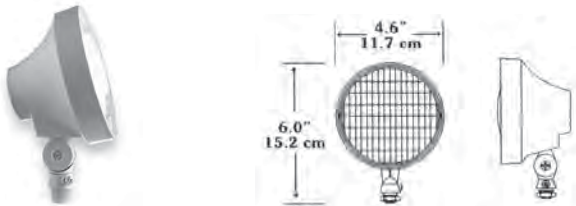
- Meets City of Chicago emergency requirements
- Constructed of impact-resistant, chrome plated or powder coated steel
- Compatible with SP and PMC series remote mounting plates (ordered separately, see page 100)



			CATALOG NO.		
			METAL & CHROME		
D SERIES	VOLTAGE	WATTAGE	WHITE	BLACK	CHROME
TUNGSTEN	6 VOLT	7	D0607W	D0607B	D0607M
		9	D0609W	D0609B	D0609M
	12 VOLT	9	D1209W	D1209B	D1209M
		12	D1212W	D1212B	D1212M
HALOGEN	6 VOLT	8	D06H08W	D06H08B	D06H08M
		10	D06H10W	D06H10B	D06H10M
	12 VOLT	12	D06H12W	D06H12B	D06H12M
		12	D12H12W	D12H12B	D12H12M

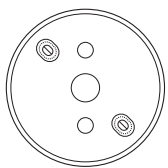
Z Series WET LOCATION THERMOPLASTIC SEALED BEAM PAR 36 REMOTE LAMP

- NEMA 4X rated sealed beam PAR 36
- Constructed of gray polycarbonate
- Compatible with PMC series remote mounting plates (ordered separately, see page 100)



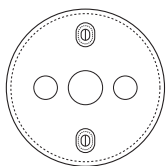
			CATALOG NO.		
			NEMA RATED		
Z SERIES	VOLTAGE	WATTAGE	WHITE	BLACK	GRAY
TUNGSTEN	6 VOLT	8	Z0608W	Z0608B	Z0608G
		18	Z0618W	Z0618B	Z0618G
		25	Z0625W	Z0625B	Z0625G
	12 VOLT	30	Z0630W	Z0630B	Z0630G
		12	Z1212W	Z1212B	Z1212G
		18	Z1218W	Z1218B	Z1218G
HALOGEN	6 VOLT	25	Z1225W	Z1225B	Z1225G
		30	Z1230W	Z1230B	Z1230G
	12 VOLT	8	Z06H08W	Z06H08B	Z06H08G
		12	Z06H12W	Z06H12B	Z06H12G
	12 VOLT	8	Z12H08W	Z12H08B	Z12H08G
		12	Z12H12W	Z12H12B	Z12H12G
		25	Z12H25W	Z12H25B	Z12H25G

Mounting Plates FOR ALL REMOTE LAMPS



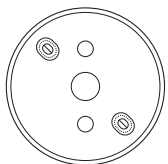
STEEL MOUNTING PLATE

- Compatible with D, S and M style heads
- Indoor, single or double lamp configurations



CAST ALUMINUM WEATHERPROOF MOUNTING PLATE

- Compatible with D, S, T, P, R, Z and J style lamp heads
- Wet location, Class 1 DIV 2, single or double lamp configurations



THERMOPLASTIC 5" DIA. MOUNTING PLATE

- Compatible with T, P and R style lamp heads
- Indoor, single or double lamp configurations

ORDERING INFORMATION Example: SP-W-1

Series	Finish	Style
SP	W = White	1 = Single Lamp
	B = Black	2 = Double Lamp

ORDERING INFORMATION Example: PMC-A-2

Series	Finish	Style
PMC	A = Satin Aluminum	1 = Single Lamp
	W = White	2 = Double Lamp
	B = Black	
	T = Tan	

ORDERING INFORMATION Example: W-P-1

Finish	Series	Style
W = White	P	1 = Single Lamp
B = Black		2 = Double Lamp
T = Tan		

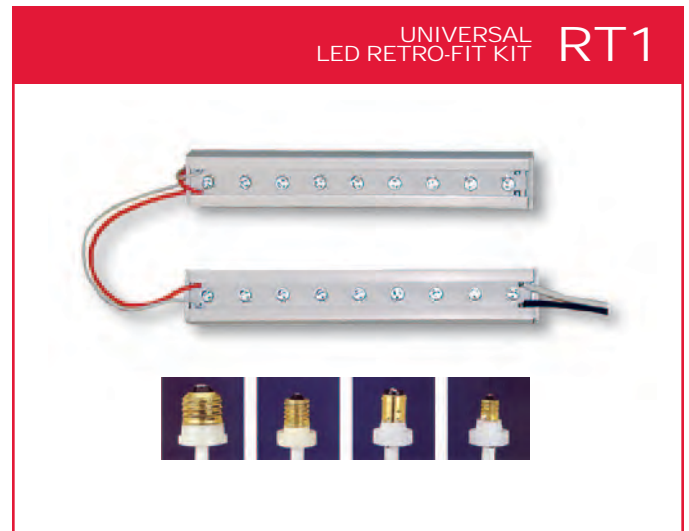
REMOTES & RETRO-FIT

FEATURES

- Up to 97% energy savings
- Direct wire (120 or 277V) or socket ready (120V)
- High-intensity, red, green or white LEDs
- Bright, uniform illumination of exit face
- Consumes only 1.1 watts of power
- Surge-protected, parallel circuitry
- Maintenance-free installation and operation
- Complete fixture series meets American Recovery and Reinvestment Act of 2009 (ARRA) requirements and Buy American provisions
- Dimensions: 6.25" x 0.875" x 0.75"



Specifications are subject to change without notice



ORDERING INFORMATION

Example: RT1-A-S-B

Series	Voltage	Connection	Socket Base ²	Accessories ³ (Field Installed)
RT1 = Red	A = 120VAC	D = Direct Wire	I = Intermediate Base	RLKIT = Red Diffuser Kit w/Reflector
GRT1 = Green	V = 277VAC	S' = Socket Ready	B = Bayonet Base	GRLKIT ⁴ = Green Diffuser Kit w/Reflector
WRT1 = White			C = Candelabra Base	
			M = Medium Base	

¹ Not available on 277VAC units

² Available on socket ready units only

³ Order as separate line item

⁴ GRT1 units supplied standard with green diffuser kits

FEATURES

- Socket ready kit includes (2) LED retrofit lamps with candelabra bases. Kit also includes base adaptors for intermediate and bayonet applications
- Direct wire also available
- 120V only
- High-intensity, red or green LEDs
- Bright, uniform illumination
- Consumes only 1.2 watts of power per lamp
- Dimensions: 5.125" x 1.625" (Add 0.125" to height when using socket adapters)



Specifications are subject to change without notice



REMOTES & RETRO-FIT

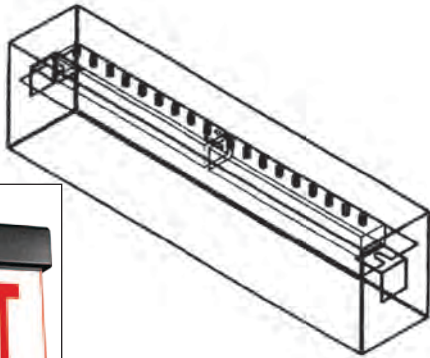
ORDERING INFORMATION

ORDERING INFORMATION Example: RT2-A-S

Series	Voltage	Connection
RT2 = Red	A = 120VAC	D = Direct Wire
GRT2 = Green		S' = Socket Ready

¹ Includes adapters for Intermediate, Bayonet, Candelabra and Medium Base

LEDGE EDGE-LIT LED RETRO-FIT KIT



FEATURES

- Retrofit ANY fluorescent edge-lit sign (contact factory for manufacturers not shown)
- Up to 97% energy savings
- Universal design converts single or double face signs
- Available for 120V or 277V direct wire applications (AC power)
- High-intensity, red, green or white LEDs
- Bright, uniform illumination of exit face
- Consumes only 1.2 watts of power
- No visible LEDs
- 100,000 hour life expectancy for LEDs
- Complete fixture series meets American Recovery and Reinvestment Act of 2009 (ARRA) requirements and Buy American provisions



Specifications are subject to change without notice

ORDERING INFORMATION

Example: LEDGE-R-A-D-9

Series	Led Color	Voltage	Connection	Manufacturer's Suffix
LEDGE	R = Red	A = 120VAC	D = Direct Wire	1 = Lithonia
	G = Green	V = 277VAC		2 = Prescolite
	W = White			3 = Emergilite (Includes Panels)
				4 = Cole Lighting
				5 = Light Alarms
				6 = McPhilben
				7 = Alkco Lighting (Includes Panels)
				8 = Big Beam/Marco
				9 = Cooper Sure-Lites
				10 = Radiant Design

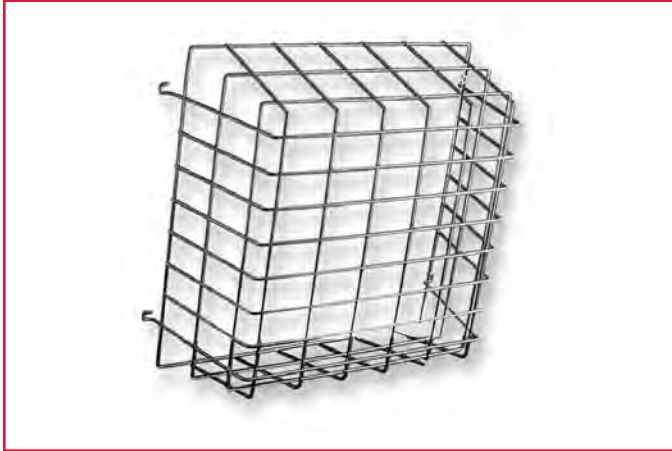
¹ Some LEDGE retro-fit kits may be available with emergency battery backup, please consult factory.

All LEDGE kits are custom made to fit the original manufacturer, contact factory for pricing on any unit not listed above.

REMOTES & RETRO-FIT



Accessories



FEATURES

- Adjustable mounting tabs
- Durable wire-mesh construction
- Corrosion resistant
- Protects exits and emergency lighting equipment
- Available in wall, ceiling, or end-mount configurations
- Many styles to fit a wide variety of Exitronix emergency lighting equipment

Specifications are subject to change without notice

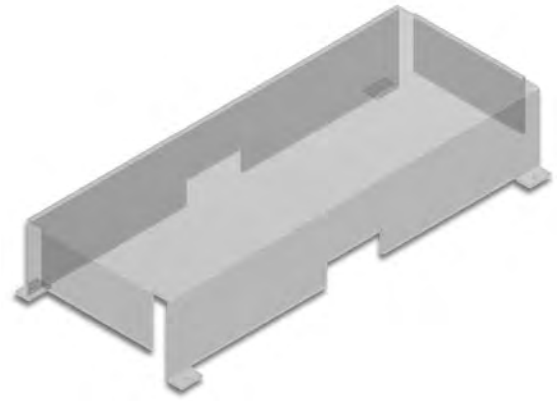
ORDERING INFORMATION & APPLICATION GUIDE

Wire Guard Part No.	WG-1	WG-2	WG-3	WG-5	WG-6	WG-7	WG-90	WG-A
	BACK MOUNT 15"x12.75"x4"	END MOUNT 16.25"x10.5"x6.5"	CEILING MOUNT 14.75"x12"x6.5"	BACK MOUNT 30"x14"x6.5"	BACK MOUNT 17"x13.5"x5"	BACK MOUNT 32"x16"x8"	BACK MOUNT 15.25"x11"x6"	BACK MOUNT 28.5"x24.75"x10"
Series								
400/400D/400U/450	X	X	X					
500/600/700	X	X	X					
500/600/700 WITH EL OPTION					TOP			
CLED/400C	X	X	X					
ILX/VEX/VEX-S	X	X	X					
VEX-S Combo					X			
VEX-EL90/VLED-EL90				X				
VRC			X	X				
VRC Combo				TOP				
				SIDE				
EXI-GLOW/PXP	X	X	X					
RM							X	
CR						X		
LL30							X	
LL50H	X							
LL50H-N4						X		
LL50H-6/12						X		
LED-60	X							
LED-60/LL70/LL90/LED-90							X	
LL90HW								X
LL6-12 18-54W					X			
LL6/12 72-150W						X		
LRP						X		
RP					X			
RS								X
LED-RX				X				
WNX 27-72W						X		
WNX 100-360W								X
CSX						X		
CSX-Combo						X		
400U-8/VEX-8								
VEXC-8						X		
CT400				X				
CT700				X				

FEATURES

- Impact-resistant polycarbonate construction
- Corrosion resistant
- Protects exits and emergency lighting equipment
- Available in wall, ceiling, or end-mount configurations
- Many styles to fit a wide variety of Exitronix emergency lighting equipment

POLYCARBONATE GUARDS
FOR EMERGENCY LIGHTING **XG**



Specifications are subject to change without notice

ACCESSORIES

ORDERING INFORMATION & APPLICATION GUIDE

Wire Guard Part No.	XG-1	XG-3	XG-6	XG-90	XG-EL90	PS
	BACK MOUNT 14.25"x9.25"-3.5"	CEILING MOUNT 14"x11.25"x5.25"	BACK MOUNT 18.25"x14"x6.5"	BACK MOUNT 18.1"x7.75"x7.75"	BACK MOUNT 30.25"x15.25"x6.5"	BACK MOUNT 19.4"x12.3"x9"
Series						
400/400D/400U/450	X	X				
500/600/700	X	X				
500/600/700 WITH EL OPTION			TOP		SIDE	
CLED/400C			X			
ILX/VEX/VEX-S	X	X				
VEX-S Combo			X			
VEX-EL90/VLED-EL90					X	
VRC			X			
VRC Combo			X			
EXI-GLOW/PXP			X			
RM						X
CR					X	
LL30				X		
LL50H				X		
LL50H-N4				X		
LL50H-6/12				X		
LL60	X					
LL70/LL90/LED-90				X		
LL90HW						X
LL6-12 18-54W			X			
LL6/12 72-150W					X	
LRP			X			
RP				X		
RS						X
LED-RX						X
WNX 27-72W					X	
WNX 100-360W						
CSX			X			
CSX-Combo			X			
400U-8/VEX-8			X			
VEXC-8						
CT400					X	
CT700					X	

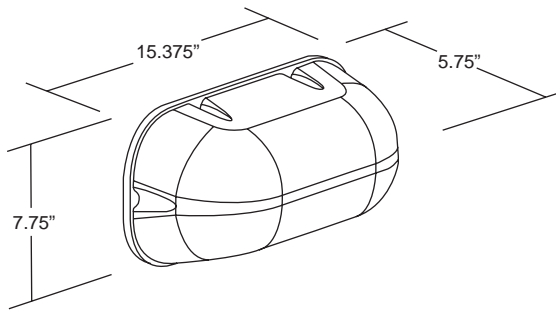
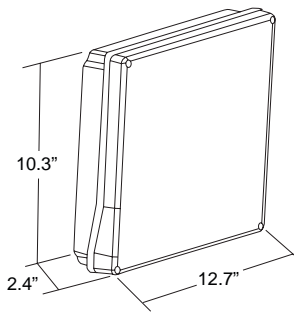
WPV WET LOCATION / VANDAL RESISTANT
POLYCARBONATE GUARDS



WPV-1

WPV-2

DIMENSIONS



FEATURES

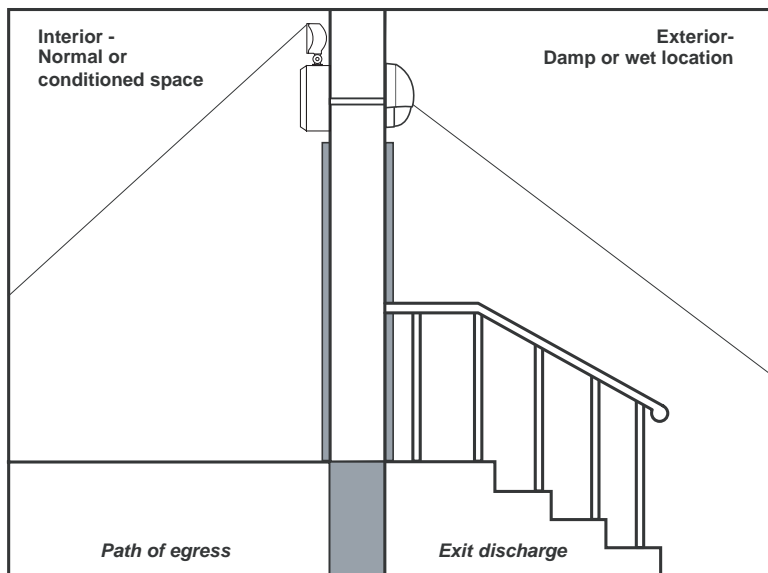
Guard your Extronix emergency lighting against the weather and accidental or intentional abuse. Ideal for outdoor use and high traffic areas such as schools, gymnasiums, parking garages, warehouses, and public areas.

FEATURES

- Weatherproof, vandal resistant enclosure
- UL94-5VA flame retardant polycarbonate components
- Suitable for wet locations
- Standard finish: White
- Many styles to fit a wide variety of Extronix emergency lighting equipment

Series	WPV-1	WPV-2
TEMPO EXIT COMBO	X	
LL50H		X
LL60 / LED-60		X
LL90 / LED-90		X
Indoor Remote Heads Single Double Configurations		X
Renegade Remote Head Single Double Configurations		X
CLED/HLED Remote Head Single Double Configurations		X

Specifications are subject to change without notice



WHAT IS EXIT DISCHARGE...

The exit discharge is the portion of the means of egress between the building exit and the public way. According to the 2003 Life Safety Code, section 3.3.175, a public way is defined as "A street, alley or other similar parcel of land essentially open to the outside air deeded, dedicated, or otherwise permanently appropriated to the public for public use and having a clear width and height of not less than 30ft (50mm) (120in)."

HOW TO DECIDE WHEN IT APPLIES...

Since the nature of the exit discharge is outdoor applications, standard fixtures may not be suitable. Outdoor applications fall into two categories: damp location or wet location. According to chapter one, article 100, of the 2002 National Electrical Code, damp locations include "... partially protected locations under canopies, marquees, roofed open porches, and like locations. ..." Wet location is partially defined as "... locations subject to saturation with water or other liquids, such as vehicle washing areas; and in unprotected locations exposed to weather."

REMOTE FIXTURES

In general, remote fixtures offer advantages such as lower initial cost, lower maintenance costs, and better aesthetics over typical emergency battery units. These advantages are more prevalent in environments that require special ratings such as wet location and NEMA 4X, or in areas where ambient temperatures can diminish battery capacity or life. Both occurrences are common with the exit discharge. In many instances, the battery unit can be installed in a normal or conditioned environment with the remote heads located in the areas that require special ratings.

POWER SOURCES

Once the classification of an environment is determined and the remote fixtures have been chosen, the next step is to determine which power sources will operate the remote fixtures from a normal or controlled environment. If a facility utilizes unit equipment for its emergency lighting, the option of running the exit discharge remote(s) off of those units should be considered.

If the facility is not utilizing unit equipment for its emergency lighting, the exit discharge remote(s) can be powered by special exit/unit equipment combination signs that are placed above any door leading to the exit discharge.

Conventional emergency lighting and exit signs were primarily focused on helping guide occupants to the exterior of a building. Today, additional focus is being placed on getting occupants to an exit safely and down a path of safety once they are out of the building. This guide will help define the exit discharge and reference code requirements for the exit discharge. Either normally-on or normally-off fixtures can provide exit discharge illumination. However, this guide will only cover normally-off fixtures.

CODE INFORMATION

Life Safety Code (NFPA 101)

Section 3.3.136 Means of Egress:

A continuous and unobstructed way of travel from any point in a building or structure to a public way consisting of three separate and distinct parts: (1) the exit access, (2) the exit, and (3) the exit discharge.

Section 3.3.136.1 Accessible Means of Egress

Section 7.9 Emergency Lighting:

7.9.1.2 "... exit discharge shall include only designated stairs, ramps, aisles, walkways, and escalators leading to a public way."

Section 7.9.2 Performance of System:

7.9.2.1 "Emergency illumination shall be provided for not less than 1-½ hours in the event of failure of normal lighting. Emergency lighting facilities shall be arranged to provide initial illumination that is not less than an average of 1 ft-candle (10.8 lux) and, at any point, not less than 0.1 ft-candle (1.1 lux), measured along the path of egress at floor level. Illumination levels shall be permitted to decline to not less than an average of 0.6 ft-candle (6.5 lux) and, at any point, not less than 0.06 ft-candle (6.5 lux) at the end of the 1-½ hours. A maximum-to-minimum illumination uniformity ratio of 40 to 1 shall not be exceeded."

Since exit discharge is one of the three components defined as the "means of egress" per 3.3.121 of the Life Safety Code and since 7.9.1.1 also includes exit discharge, many authorities having jurisdiction have concluded that the lighting levels of 7.9.2.1 apply in full. Note: Variations may exist depending upon the interpretation of codes in your area.

This reprinted material is not the complete and official position of the NFPA on the referenced subject, which is represented only by the standard in its entirety.

VOLTAGE DROP TABLE NATIONAL ELECTRIC CODE

Total Watts on Wire Run	6 Volt				12 Volt			
	Wire Gauge (in feet)				Wire Gauge (in feet)			
	12	10	8	6	12	10	8	6
6	94	150	238	379	377	600	955	1518
7	81	128	204	325	323	515	818	1301
8	70	112	179	284	283	450	716	1138
10	56	90	143	227	226	360	573	911
12	47	75	119	189	189	300	477	759
14	40	64	102	162	162	257	409	650
16	35	56	89	142	141	225	358	569
18	31	50	79	126	126	200	318	506
20	28	45	71	113	113	180	286	455
21	27	43	68	108	108	171	272	433
24	23	37	59	94	94	150	238	379
25	22	36	57	91	90	144	229	364
28	20	32	51	81	81	128	204	325
30	19	30	47	76	75	120	191	303
32	17	28	44	71	70	112	179	284
35	16	25	41	65	64	103	163	260
36	15	25	39	63	63	100	159	253
40	14	22	35	57	56	90	143	227
42	13	21	34	54	54	86	136	217
48	11	18	29	47	47	75	119	189
49	11	18	29	46	46	73	117	186
50	11	18	28	45	45	72	114	182
54	10	16	26	42	42	66	106	168
56	10	16	25	40	40	64	102	162
60	9	15	23	38	37	60	95	151
64	8	14	22	35	35	56	89	142
70	8	12	20	32	32	51	82	130
72	7	12	19	31	31	50	79	126
75	7	12	19	30	30	48	76	121
80	7	11	18	28	28	45	71	113
84	6	10	17	27	27	43	68	108
88	6	10	16	25	25	41	65	103
90	6	10	16	25	25	40	63	101
96	6	9	15	23	23	37	59	95
100	5	9	14	22	22	36	57	91
104	5	8	13	21	21	34	55	87
108	5	8	13	21	21	33	53	84
112	5	8	12	20	20	32	51	81
120	4	7	11	19	18	30	47	76
125	4	7	11	18	18	28	45	72
126	4	7	11	18	18	28	45	72
128	4	7	11	17	17	28	44	71
132	4	6	10	17	17	27	43	69
136	4	6	10	16	16	26	42	67
144	4	6	10	15	15	25	39	63
150	3	6	9	15	15	24	38	60
152	3	6	9	15	15	23	37	60
156	3	5	9	14	14	23	36	58
160	3	5	9	14	14	22	35	57
162	3	5	8	14	14	22	35	56
168	3	5	8	13	13	21	34	54
175	3	5	8	13	13	20	32	52
176	3	5	8	12	12	20	32	51
180	3	5	8	12	12	20	31	50
184	3	4	7	12	12	19	31	49
192	3	4	7	11	11	18	29	47
198	2	4	7	11	11	18	29	46
200	2	4	7	11	11	18	28	45
Constant	567	901	1432	2277	2267	3604	5730	9109

The National Electrical Code limits voltage drop to a maximum of 5% of nominal. The table shows the maximum length of a given battery circuit, assuming that the total load is concentrated at the end of the load circuit. If loads are uniformly spaced (equal watts, equal distances) along the circuit path, all of these distances may be increased, based on the number of heads or fixtures on a given circuit. This may permit a savings by the use of a smaller wire size (see wiring distance formula table below).

Wiring Distance Formula Table

Number of Heads

2	3	4	5	6
Multiply Feet by				
1.33	1.5	1.6	1.67	1.71

For example, a 36 foot long, 6 volt circuit has 7 watt heads spaced 12 feet apart. According to the voltage drop table, #10 wire must be used at 43 feet for a 5% voltage drop. But, multiplying the 27 feet for #12 wire by 1.5, a 40¹/₂ foot wire run is acceptable. Therefore, #12 wire may be used and still meet the 5% voltage drop limitation. Wire size determinations can be made for non-uniformly spaced loads. But for ease and safety, it would be advisable to use the voltage drop tables. For a precise determination of the maximum length of wire run for a concentration load (before applying the adjustment for uniformly distributed loads), divide the total load in watts into the constant at the bottom of each row. (Example: the maximum wire run for #12 wire on a 12 volt system, with a 44 watt load, is 2267÷44, or 51 feet.)

Conversely, the maximum load on a run of known length (before applying the adjustment) may be determined by dividing the length into the constant. (Example: On a 12 volt system, a 38 foot run of #12 wire can be loaded to 2267÷38 = 60 watts; on #10 wire, 3604÷38 = 94 watts.)



TERMS

All Barron Lighting Group products and divisions' products – NET 30 Days, unless otherwise quoted in writing from Barron Lighting Group. Interest of 2% per month plus any Attorney's fees and costs will be assessed on all past due accounts. Any applicable payment discounts shall not apply to other charges such as shipping, taxes or insurance.

FREIGHT ALLOWANCE

Barron Lighting Group products may be combined on an order to qualify for freight allowance. For shipments outside the contiguous United States, contact factory for applicable terms & conditions. All shipments are F.O.B. our plants, vendors, Distribution Centers or Field Warehouses: All orders for Barron Lighting Group products having a distributor price of \$1,500 or more for one consignee for one shipment qualify for freight allowance. All Barron Lighting Group orders having a distributor price less than \$1,500 will be assessed freight and handling charges. ALL SHIPMENTS – For all orders that qualify for freight allowance, we reserve the right to select the carrier and to route shipments at our discretion. We will ship in the manner selected by the customer provided the customer assumes any additional transportation costs. PARTIAL RELEASES – If an order has multiple releases specified by the Buyer, each release will be treated as individual orders, relative to freight allowance and minimum billing.

TRANSPORTATION CLAIMS

Our products are tested for mechanical defects prior to shipping. Our packaging is regularly inspected for both apparent and concealed damages sustained by improper handling. Title passes to purchaser upon delivery by us to the carrier, and all claims for damages or shortages in transit shall be made by purchaser with delivering carrier. Bills of Lading marked with "Shippers Load and Count" do not constitute a transfer of liability for the freight or damages from the consignee to Barron Lighting Group.

PACKAGING

The company reserves the right to optimize packaging at our discretion. Some products may only be available in bulk package multiples or case quantities.

PRICES

Prices are subject to change without notice. In the event of a price increase, all accepted orders on hand will be filled at lower prices provided such orders are released for shipping prior to the effective date of the price increase. If the orders are not released for shipment prior to the price increase, the orders will be billed at prices in effect at the time of shipment. Special quoted orders that cannot be released for shipping prior to the price increase may be subject to an increase in price. Orders marked HOLD or HOLD FOR RELEASE will be billed at the prices in effect on the date that shipment is requested. Minimum billing for all products or parts orders is \$100 net. Prices do not include lamps unless so specified.

TAXES

Buyer will pay any and all applicable sales tax or use tax, if any, plus any other applicable federal, state, or local taxes. All prices, quotations, orders and agreements are subject to said taxes and will be added to the invoice unless legal proof of exemption is provided.

RETURN OF GENERAL MERCHANDISE

Merchandise is not returnable without the written approval of Barron Lighting Group. Request for a return must be made in writing within 30 days from the date of shipment. Any material returned without authorization will be returned to the customer, freight collect, and no credit will be issued. Freight shipment to the factory will be prepaid by the customer. All material must be received in a saleable condition and in the original packaging. Products will be inspected upon return to determine whether it will be repaired or replaced as long as it is within the warranty period. Returns will not be issued for discontinued products. All non-stock, special, custom made or outdated and modified versions of normal factory stock items are non-returnable, this includes poles.

RETURN OF STOCK MERCHANDISE

No merchandise may be returned without prior written authorization. Requests to return merchandise must be made with our agents for transmittal to Barron Lighting within six (6) months from date of shipment by us. All returns must be shipped prepaid to the location designated on the return authorization. Credit will be issued based on the original invoice price, or price in effect at time of return, whichever is lower, less a minimum disposition charge of 35% (to defray our cost of handling). All returned product must be in saleable condition in order to qualify for credit.

LIMITED WARRANTY

Barron Lighting Group warrants all products sold hereunder to be free from defect in manufacturing, under normal and proper storage, installation, and use, for the period designated on the Product Warranty Chart, calculated from the date of shipment (excluding fuses and lamps). Terms and Conditions

BATTERY WARRANTY

Exitronix batteries are warranted as illustrated in Product Warranty Chart. The Pro Rata Warranty Period for batteries begins on the date the full warranty ends. A battery determined to be defective during the Pro Rata Warranty Period shall be repaired or replaced at a cost equal to the net price in effect at the time, reduced by the percentage obtained in multiplying 20% by the number of full years remaining in the total warranty period. Such repair or replacement at this adjusted price shall be the purchaser's exclusive remedy.

Pro Rata Example: Battery concern develops at the beginning of year four of a five year warranty (One year full, 4 Pro Rata = Five year total warranty period). Net Battery Cost: \$10.00. Each year of the five year warranty is valued at 20%; therefore you would subtract 60% (20% for each of the three years the battery has been in service in this example) from the \$10.00 net cost, or \$6.00. The Pro Rata Warranty would cover \$4.00 or 40% of the remaining battery value.

Should a defect in the unit or batteries occur within the specified full warranty period, Barron will repair or replace equipment without charge at Barron's discretion. Such repair or replacement shall be the purchaser's exclusive remedy. Our liability extends only to the repair or replacement of the defective part, Buyer is responsible for all costs to de-install defective products and re-install replacement or repaired products and Barron Lighting Group will not be liable for labor or other costs related to de-installation or re-installation.

Barron Lighting Group shall not be liable for damages that result from deliveries that do not occur within a customer's specified time frame or for any delay or default in delivering products where occasioned by any cause beyond the control of Barron Lighting Group, including without limitation embargoes; shortages of labor, raw materials, or fuel; fires; floods; accidents; acts of war; or other similar causes.

On products furnished by Barron Lighting Group, but manufactured by others, Barron Lighting Group passes through any warranty from the manufacturer thereof and makes no separate or additional warranty. Warranty limitations are the same as above.

THE FOREGOING WARRANTY TERMS ARE EXCLUSIVE AND IN LIEU OF ALL OTHER WARRANTIES. BARRON LIGHTING GROUP MAKES NO REPRESENTATIONS OR WARRANTIES EXCEPT AS EXPRESSLY SET FORTH IN THESE TERMS AND CONDITIONS, AND BARRON LIGHTING GROUP EXPRESSLY DISCLAIMS ALL OTHER REPRESENTATIONS AND WARRANTIES, EXPRESS OR IMPLIED, INCLUDING WITHOUT LIMITATION ANY WARRANTIES OF MERCHANTABILITY OR FITNESS FOR A PARTICULAR PURPOSE. NO DISTRIBUTOR OR SUPPLIER OF BARRON LIGHTING GROUP HAS THE AUTHORITY TO MODIFY OR AMEND THIS LIMITED WARRANTY.

LIMITATION OF LIABILITY

The foregoing limited warranty provides the purchaser's sole and exclusive remedy relating to Barron Lighting Group's products. The total liability of Barron Lighting Group on any and all claims of any kind, whether in contract, warranty, tort (including negligence), strict liability or otherwise, arising out of or in connection with, or resulting from, Barron Lighting Group's performance or breach of the foregoing limited warranty or from Barron Lighting Group's sale, delivery, repair, or replacement of any products, or the furnishing of any services, shall in no event exceed the purchase price allocable to the specific product which gives rise to the claim, and any and all such liability shall terminate upon the expiration of the limited warranty set forth above. IN NO EVENT SHALL BARRON LIGHTING GROUP BE LIABLE FOR ANY INDIRECT, SPECIAL, INCIDENTAL, CONSEQUENTIAL, OR PUNITIVE DAMAGES, EVEN IF INFORMED OF THE POSSIBILITY OF SUCH DAMAGES, WHETHER AS THE RESULT OF BREACH OF CONTRACT, WARRANTY, TORT (INCLUDING NEGLIGENCE, STRICT LIABILITY, OR ANY OTHER THEORY.

CANCELLATION CHARGE

Orders for standard product that have not started production can be cancelled without penalty. Orders for custom product that have not started production are subject to fees and charges associated with the procurement, tooling and staging methods utilized in preparation for production. Orders that have entered into the production state may not be cancelled unless we are reimbursed for work already performed. If Barron Lighting Group allows for said cancellation, full reimbursement of any special materials, tooling etc. purchased by our company to satisfy an order will be due in full. If an order is cancelled after shipment or if delivery is refused at destination, all warehousing, delivery, disposition and return costs will be charged to the customer.

GENERAL

Barron Lighting Group price sheets are not offers to sell, and possession of a price sheet does not entitle one to purchase. Barron Lighting Group shall not be bound to sell any products unless it shall (in its sole discretion) accept submitted purchase orders. Specifications are subject to change without notice. Consult factory for verification. The compliance of our product to individual project specifications and the approval for their use is not warranted by our company. If purchaser does not pay the purchase price within the time periods set forth above, Barron Lighting Group reserves the right to assess a finance charge on any unpaid, past due balance up to the maximum legal rate. If any amount due Barron Lighting Group is collected by, or attempted to be collected through an attorney at law, Barron Lighting Group shall be entitled to recover all collection expenses, including attorney's fees.

INTELLECTUAL PROPERTY AND CONFIDENTIALITY

Buyer agrees that all information furnished by Barron Lighting Group in connection with the sale of items will be confidential. The Buyer agrees not to disclose any such information to any other person, or use such information for any purposes other than performance hereunder. Buyer acknowledges and agrees that the Barron Lighting Group Mark and all copyrights, patents and other Barron Lighting Group intellectual property are owned exclusively by Barron Lighting Group. Buyer will not adopt or attempt to register any trademark, service mark, trade name, company name, internet domain name or other proprietary designation that is identical or confusingly similar to any of Barron Lighting Group Mark. Buyer will not make, use or copy any Barron Lighting Group material that is the same or substantially similar to any Barron Lighting Group copyright or patent. Provided that Buyer is in good standing with Barron Lighting Group and not in breach of this Agreement, and subject to compliance with the Minimum Advertised Pricing and Internet Advertising Policy, the foregoing will not prevent Buyer from: (a) accurately identifying the Barron Lighting Group products as offered for sale to consumers by Buyer provided that all such use of the Barron Lighting Group Mark by Buyer will inure to the benefit of Barron Lighting Group; and (b) using Barron Lighting Group photographs and descriptions of Barron Lighting Group products solely to promote sales of the Barron Lighting Group products. Any other use of any Barron Lighting Group Mark or Barron Lighting Group copyrighted material is prohibited without Barron Lighting Group's prior written consent. Buyer and Barron Lighting Group are independent contractors. Buyer will not hold itself out as an agent of Barron Lighting Group or otherwise misstate or misrepresent its relationship to Barron Lighting Group.

GOVERNING LAW

These Terms & Conditions and Agreement shall be governed by the laws of the State of Arizona. Buyer consents to the personal jurisdiction and venue of the courts of the State of Arizona. Any legal or equitable claim of any nature arising hereunder will be filed and maintained in the state or federal courts in the State of Arizona and Buyer agrees that such courts are a convenient forum for adjudication. In the event that suit is necessary to recover amounts owed Barron Lighting Group, Buyer shall be liable for reasonable attorney's fees, interest and costs of collection. No agreement or understanding varying the terms and conditions hereof shall be binding upon either party hereto unless in writing attached hereto and signed by duly authorized representatives of both parties. This Agreement shall inure to the benefit of and be binding upon the parties hereto and their respective successors and assigns.

ACCEPTANCE

Acceptance of orders can be made only at our plants, Distribution Centers or Field Warehouses for warehouse orders on the basis of these terms and conditions of sale. Barron Lighting Group will not accept orders that require customer furnished components.

ENTIRE AGREEMENT

Except as expressly agreed in writing signed by Barron Lighting Group, the terms and conditions stated above shall constitute the entire sales agreement between Barron Lighting Group and the purchaser. Any contrary or additional terms or conditions submitted by the purchaser (other than the description of the products being ordered and the requested quantities, shipping date, and shipping location contained in purchaser's purchase order) shall be deemed to be of no force or effect and are hereby rejected. Purchaser's submission of a purchase order shall indicate purchaser's acknowledgment of and in agreement with these Terms and Conditions.

Barron Lighting Group reserves the right to change these Terms and Conditions of Sale without notice.

Index by Type

EXIT SIGNS

400 Diffused Die-Cast Aluminum LED Exit	18
400C Die-Cast Aluminum LED Exit Combo	21
400D Direct View Die-Cast Aluminum LED Exit	19
400U Universal Die-Cast Aluminum LED Exit	20
450 Ultra-Slim Die-Cast Aluminum LED Exit	22
500 Direct View Steel LED Exit	23
600 Direct View Steel LED Exit	24
700 Diffused View Steel LED Exit	25
900 Architectural LED Edge-lit Exit	10
CHAMPION Hazardous Location LED Edge-lit Exit	12
CHAMPION Wet/Hose Down Location LED Exit	17
CT400 Extruded Aluminum LED Handicap Exit	30
CT700 Steel LED Handicap Exit	31
CT900 Surface or Recessed Mount LED Handicap Edge-lit Exit	28
CTC900 Surface Mount LED Edge-lit Handicap Exit	29
EXI-GLOW Photoluminescent Exit	37
ILLUMINEX Universal Thermoplastic LED Exit	36
NAV Wet Location LED Exit	13
NAV-C Wet Location LED Exit Combo	14
PXP Self-Luminous Tritium Exit	38
REVOLUTION LED Light Bar Exit Combo	33
S900 Universal Swivel Mount LED Edge-lit Exit	11
TEMPO Universal Thermoplastic LED Exit Combo	32
VEX Thermoplastic LED Exit	34
VEX-S Universal Steel LED Exit	26
VEX-S COMBO Universal Steel LED Exit Combo	27
VEX-WP Wet Location LED Exit	15
VLED-EL90 Thermoplastic LED Exit Combo	35
VRC Wet Location LED Exit & Combo	16

EMERGENCY LIGHTING

CR Recessed T-Bar Emergency Lighting	69
LED-60 Thermoplastic LED Emergency Lighting	48
LED-90 Thermoplastic LED Emergency Lighting	49
LED-RX Wet Location Emergency Lighting	55
LL30 Thermoplastic Emergency Lighting	58
LL50H Thermoplastic Emergency Lighting	59
LL50H-6/12 High Capacity Emergency Lighting	60
LL50H-N4 Wet Location Emergency Lighting	52
LL6/12 Steel Emergency Lighting	62
LL70 Wet Location Emergency Lighting	53
LL80 Wet Location Fluorescent Emergency Lighting	54
LL90HW High Wattage Emergency Lighting	61
LRP Heavy Duty Thermoplastic Emergency Lighting	63
NAV-EM Wet Location LED Emergency Lighting	51
NF1 Cylinder LED Emergency Lighting	40
NF2 Ultra-Mini LED Emergency Lighting	41
NF3 Outdoor Compact LED Emergency Lighting	42
NF4 Thermoplastic LED Emergency Lighting	43
NF5 Outdoor Linear LED Emergency Lighting	44
NFDL1 Downlight LED Emergency Lighting	45
NFDL2 Remodel Downlight LED Emergency Lighting	46
RDG Recessed Adjustable Gimble Ring Emergency Lighting	67
RM Recessed Emergency Lighting	68
RP Thermoplastic Emergency Lighting	64
RS18-140 Steel Emergency Lighting	65
RS120-360 Steel Emergency Lighting	66
STEALTH Recessed Emergency Lighting	57
TRITON Indoor/Outdoor Emergency Lighting	50
TRITON-LED LED General & Emergency Lighting	47
WNX NEMA 4X Emergency Lighting	56

SPECIAL CODE REQUIREMENTS - CONNECTICUT

CT400 Extruded Aluminum LED Wheelchair Accessible Exit	30
CT700 Steel LED Wheelchair Accessible Exit	31
CT900 Surface/Recessed LED Wheelchair Accessible Edge-lit	28
CTC900 Surface LED Edge-lit Wheelchair Accessible	29

SPECIAL CODE REQUIREMENTS - CITY OF CHICAGO

CR Recessed T-Bar Recessed Emergency Lighting	77
CSX Steel LED Exit	72
CSX Steel LED Exit Combo	73
CXE LED Edge-lit Exit	74
RM Recessed Emergency Lighting	75
RS18-140 Steel Recessed Emergency Lighting	76

SPECIAL CODE REQUIREMENTS - NEW YORK

400U-8 Universal Die-Cast Aluminum LED Exit	79
NY900 LED Edge-lit Exit	78
NY-LL Steel Emergency Lighting	82
VEX-8 Steel LED Exit	80
VEXC-8 Universal Steel LED Exit Combo	81

SPECIALTY SIGNS

82 Direct View Lane Control Signage	86
84 Diffused Custom Outdoor Signage	87
CUSTOM SIGNS Custom Designed Faces	85
SPECIALTY SIGNS Standard Alternate Faces	84

CENTRAL SYSTEMS

PHOENIX Compact Single Phase Inverter 350-2000W	89
PHOENIX Single Phase Inverter 2.4-4.2KW	89
PHOENIX PLUS Single Phase Inverter 4.7-21KW	89
SEDONA Three Phase Inverter 3-125KW	90
SONORAN 3 Harsh Env. Single Phase Inverter 75W-125KW	90
SONORAN 1 Harsh Env. Single Phase Inverter 75W-21KW	89
TUCSON Mini Inverter 75 -300W	89
VERDE 3 Outdoor Three Phase Inverter 75W-125KW	90
VERDE 1 Outdoor Single Phase Inverter 75W-21KW	89

EMERGENCY BALLASTS

XEB Fluorescent Emergency Ballasts	92-93
--	-------

REMOTES & RETRO-FIT KITS

LEDGE Edge-lit LED Retro-Fit Kit	102
MOUNTING PLATES For Remote Lamps	100
RENEGADE Universal LED Remote Lamp	96
REMOTE LAMPS	99-100
REMOTE LAMP ASSEMBLIES	98
RT1 LED Retro-Fit Kit	101
RT2 LED Retro-Fit Kit	101
TRITON Indoor/Outdoor Remote Lamp	97

ACCESSORIES

WG Wire Guards	104
WPV-EM Wet Location/Vandal Guards	106
XG Polycarbonate Guards	105

TECHNICAL REFERENCE

EXIT DISCHARGE GUIDE For Normally Off Fixtures	107
VOLTAGE DROP TABLE National Electric Code	108

TERMS & CONDITIONS	109
--------------------------	-----

400 Diffused Die-Cast Aluminum LED Exit	18	RM Chicago Recessed Emergency Lighting	75
400C Die-Cast Aluminum LED Exit Combo	21	RP Thermoplastic Emergency Lighting	64
400D Direct View Die-Cast Aluminum LED Exit	19	RS18-140 Steel Emergency Lighting	65
400U Universal Die-Cast Aluminum LED Exit	20	RS18-140 Steel Recessed Emergency Lighting	76
400U-8 Universal Die-Cast Aluminum LED Exit	79	RS120-360 Steel Emergency Lighting	66
450 Ultra-Slim Die-Cast Aluminum LED Exit	22	RT1 LED Retro-Fit Kit	101
500 Direct View Steel LED Exit	23	RT2 LED Retro-Fit Kit	101
600 Direct View Steel LED Exit	24	S900 Universal Swivel Mount LED Edge-lit Exit	11
700 Diffused View Steel LED Exit	25	SEDONA Three Phase Inverter 3-125KW	90
82 Direct View Lane Control Signage	86	SONORAN 3 Harsh Env. Single Phase Inverter 75W-125KW	90
84 Diffused Custom Outdoor Signage	87	SONORAN 1 Harsh Env. Single Phase Inverter 75W-21KW	89
900 Architectural LED Edge-lit Exit	10	SPECIALTY SIGNS Standard Alternate Faces	86
CHAMPION Hazardous Location LED Edge-lit Exit	12	STEALTH Recessed Emergency Lighting	57
CHAMPION Wet/Hose Down Location LED Exit	17	TEMPO Universal Thermoplastic LED Exit Combo	32
CR Recessed T-Bar Emergency Lighting	69	TERMS & CONDITIONS	109
CR Recessed T-Bar Recessed Emergency Lighting	77	TRITON Indoor/Outdoor Emergency Lighting	50
CSX Steel LED Exit	72	TRITON Indoor/Outdoor Remote Lamp	97
CSX Steel LED Exit Combo	73	TRITON-LED LED General & Emergency Lighting	47
CT400 Extruded Aluminum LED Wheelchair Accessible Exit	30	TUCSON Mini Inverter 75 -300W	89
CT700 Steel LED Wheelchair Accessible Exit	31	VERDE 3 Outdoor Three Phase Inverter 75W-125KW	90
CT900 Surface/Recessed LED Wheelchair Accessible Edge-lit	28	VERDE 1 Outdoor Single Phase Inverter 75W-21KW	89
CTC900 Surface -LED Edge-lit Wheelchair Accessible	29	VEX Thermoplastic LED Exit	34
CUSTOM SIGNS Custom Designed Faces	85	VEX-8 Steel LED Exit	80
CXE LED Edge-lit Exit	74	VEXC-8 Universal Steel LED Exit Combo	81
EXI-GLOW Photoluminescent Exit	37	VEX-S Universal Steel LED Exit	26
EXIT DISCHARGE GUIDE For Normally Off Fixtures	107	VEX-S COMBO Universal Steel LED Exit Combo	27
ILLUMINEX Universal Thermoplastic LED Exit	36	VEX-WP Wet Location LED Exit	15
LED-60 Thermoplastic LED Emergency Lighting	48	VLED-EL90 Thermoplastic LED Exit Combo	35
LED-90 Thermoplastic LED Emergency Lighting	49	VRC Wet Location LED Exit & Combo	16
LEDGE Edge-lit LED Retro-Fit Kit	102	VOLTAGE DROP TABLE National Electric Code	108
LED-RX Wet Location Emergency Lighting	55	WG Wire Guards	104
LL30 Thermoplastic Emergency Lighting	58	WPV-EM Wet Location/Vandal Guards	106
LL50H Thermoplastic Emergency Lighting	59	WNX NEMA 4X Emergency Lighting	56
LL50H-6/12 High Capacity Emergency Lighting	60	XEB Fluorescent Emergency Ballasts	92-93
LL50H-N4 Wet Location Emergency Lighting	52	XG Polycarbonate Guards	105
LL6/12 Steel Emergency Lighting	62		
LL70 Wet Location Emergency Lighting	53		
LL80 Wet Location Fluorescent Emergency Lighting	54		
LL90HW High Wattage Emergency Lighting	61		
LRP Heavy Duty Thermoplastic Emergency Lighting	63		
NAV Wet Location LED Exit	13		
NAV-C Wet Location LED Exit Combo	14		
NAV-EM Wet Location LED Emergency Lighting	51		
NF1 Cylinder LED Emergency Lighting	40		
NF2 Ultra-Mini LED Emergency Lighting	41		
NF3 Outdoor Compact LED Emergency Lighting	42		
NF4 Thermoplastic LED Emergency Lighting	43		
NF5 Outdoor Linear LED Emergency Lighting	44		
NFDL1 Downlight LED Emergency Lighting	45		
NFDL2 Remodel Downlight LED Emergency Lighting	46		
NY900 LED Edge-lit Exit	78		
NY-LL Steel Emergency Lighting	82		
PHOENIX Compact Single Phase Inverter 350-2000W	89		
PHOENIX Single Phase Inverter 2.4-4.2KW	89		
PHOENIX PLUS Single Phase Inverter 4.7-21KW	89		
PXP Self-Luminous Tritium Exit	38		
RDG Recessed Adjustable Gimble Ring Emergency Lighting	67		
RENEGADE Universal LED Remote Lamp	96		
REMOTE LAMPS	99-100		
REMOTE LAMP ASSEMBLIES	98		
REVOLUTION LED Light Bar Exit Combo	33		
RM Recessed Emergency Lighting	68		




green... taking conservation seriously...

In 1984, Barron introduced the very first energy efficient LED exit sign, and helped change lighting forever. You might say we were "green" before there was a green movement. Since then, every division of Barron Lighting Group has made continuous effort to introduce energy efficient products in a wide variety of markets.

Exitronix LED emergency lighting consumes very little energy and provides long life in comparison to traditional lamp technologies. Our manufacturing process utilizes no hazardous substances such as mercury or lead. Our products provide a significant reduction in kilowatt load and carbon emissions.

But our energy efficient products are only part of the solution. Barron also employs environmentally responsible manufacturing processes such as investing in equipment that breaks down and recycles all of our cardboard waste into reusable packaging material. Even our company literature is produced by an eco-friendly printing process utilizing waterless offset printing, chemical-free imaging, soy-based inks and paper with recycled content.





BARRON
lighting group





1911 West Parkside Lane
Phoenix, Arizona 85027
800.533.3948 • Fax: 623.580.8948
www.barronltg.com

 **BARRON**
lighting group

Follow us
@BarronLighting 