

AK - Adjustable Neck Downlight : 2 Pack



project name	type
catalog number	
comments	voltage
approved by	date

4" and 5 1/6" sizes

2 pack

500/800 lumens

2700K soft white

features

- Adjustable neck for easy installation into recessed cans - simply screw it in and push into position
- Available in 4" and 5 1/6" versions
- Replaces up to 65W BR30 lamps in 5" or 6" recessed downlights
- Up to 75% energy savings
- Lasts up to 20 times longer than incandescents
- 2700K Soft White
- 5 year warranty

performance

- Long life: 25,000+ hours
- 80+ CRI
- 120V @ 60hz
- Dimmable down to 20%
- ENERGY STAR® Certified
- UL Damp Location Listed
- Suitable for Type IC, Non-IC, and air tight housings

applications

- Hospitality
- Office
- Property Management
- Residential
- Retail

ordering information

Order Code	Item #	W	V	Lm	Size	Bm	CCT	CRI	Base	Life/Hrs	Replaces	
09524	AK4-8.5W827-DIM-G7 2PK	8.5W	120	500	4"	115°	2700K	80+	E26	25K	50W BR20	★
09525	AK6-12W827-DIM-G7 2PK	12W	120	800	5 1/6"	110°	2700K	80+	E26	25K	65W BR30	★

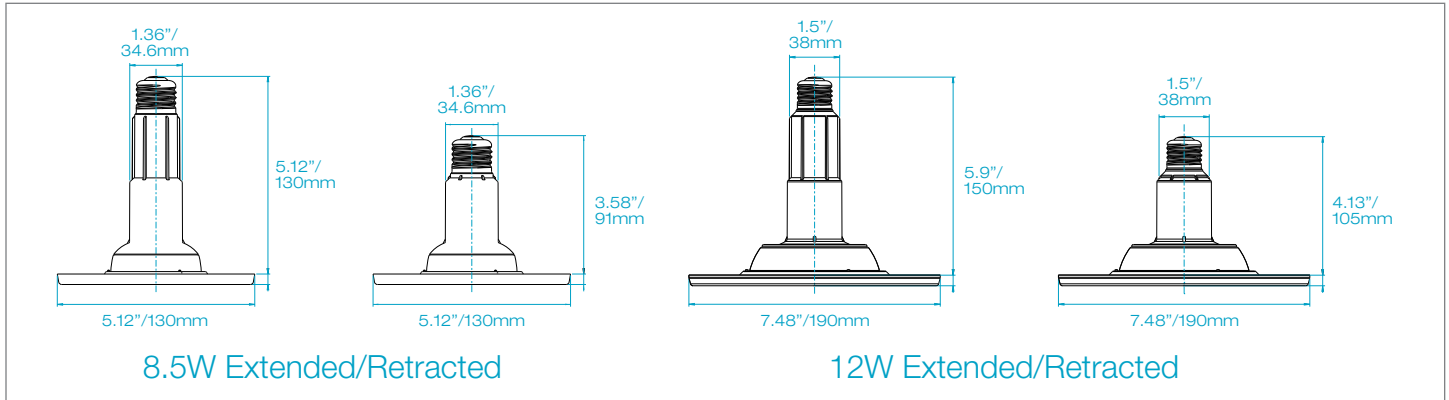
Available January 2017

★ENERGY STAR® v2.0 Approved

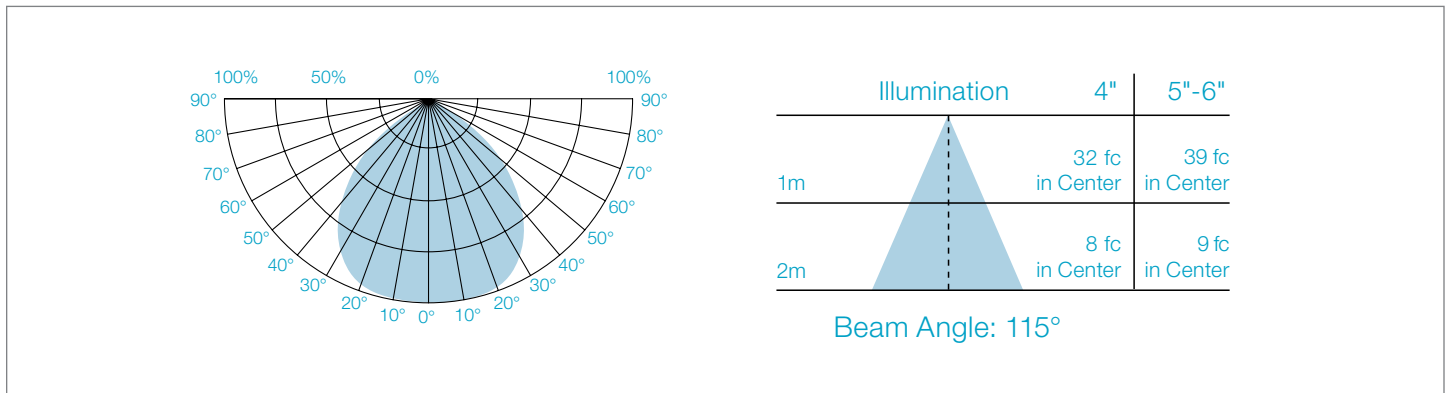


AK - Adjustable Neck Downlight : 2 Pack

dimensions



photometrics



installation

ADJUSTABLE NECK DESIGN:

Extends to reach the socket.
Retracts to meet the surface.

1.5"

Screw lamp into existing socket.

Push into the fixture until the trim is flush against the surface.

watch > like > follow

