

Fixture to be installed and wired by a qualified, licensed electrician.

INSTALLATION INSTRUCTIONS FOR TLW SERIES (TWILIGHTER WALLPRISM)

IMPORTANT: Read carefully before installing fixture. Retain for future reference.

WARNING: Make certain power is off before starting installation or attempting and maintenance.

CAUTION: To prevent water from entering wiring box. Caulk top and both sides of fixture mounting plate to mounting surface with silicon caulking

I. REMOVE FRONT HOUSING②

Loosen two screws①. Remove front housing②.

II. REMOVE REFLECTOR⑦

Loosen two screws⑤ enough to allow reflector⑦ to slide upward until keyhole in reflector releases two screws⑤. Remove reflector⑦.

III. MOUNTING WITH TWO BOLTS③

Knock out two plugs④ in rear housing.

IV. MOUNTING ON OUTLET BOX

Knock out appropriate holes around outlet hole in rear housing and apply the gasket to the back surface of housing and fasten the rear housing to the outlet box using the screws supplied with the outlet box.

V. ELECTRICAL CONNECTIONS

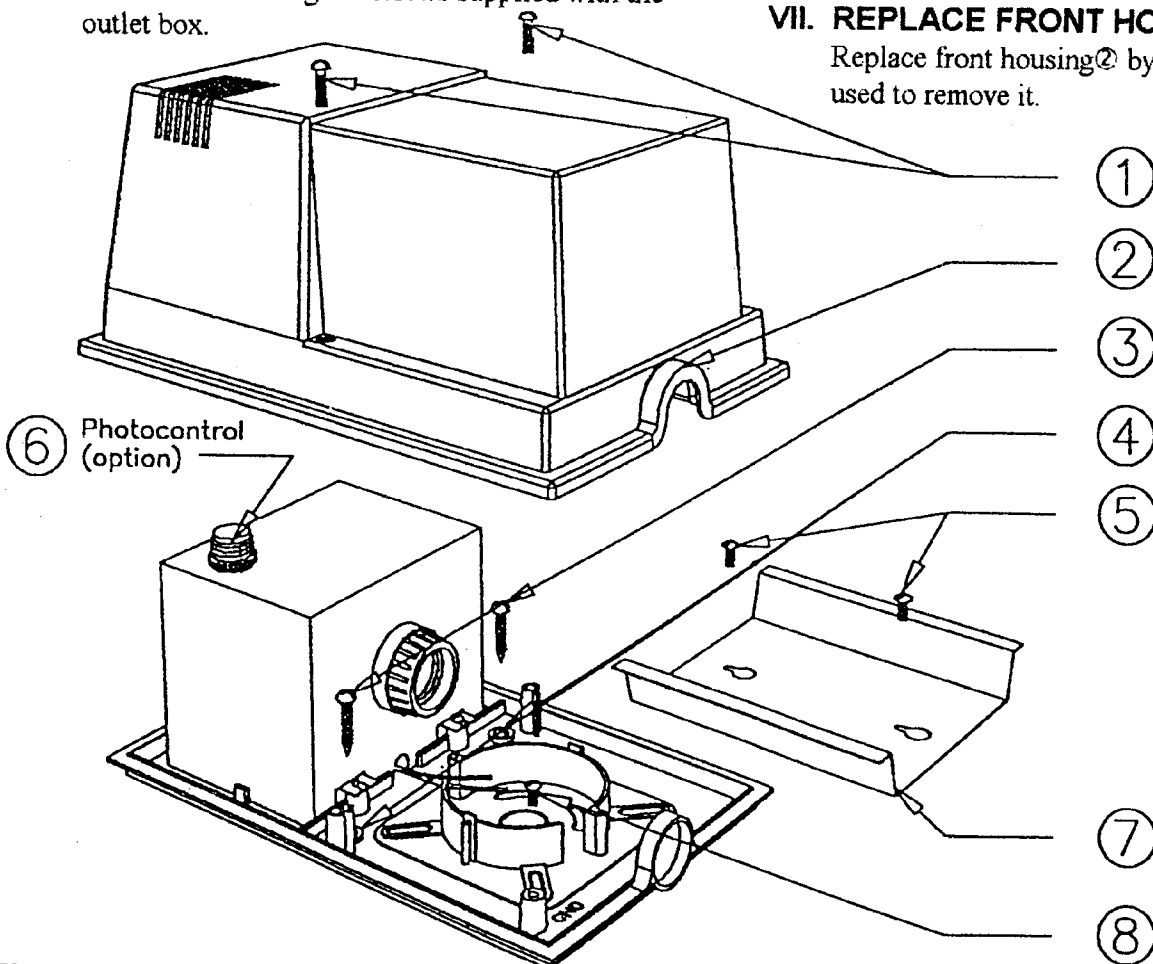
Make wiring connections by connecting white fixture wire (marked common-com to white service wire using wire nuts, connect 120 volt fixture wire (which may be black) to black service wire using another wire nut (not included). Make sure that there are no loose wire strands sticking out of wire nuts. Connect the ground lead from the service by hooking it around the green grounding screw⑧. Tighten the screw securely.

VI. INSTALL LAMP

Replace reflector⑦ and plug lamps securely into lamp socket until seats firmly.

VII. REPLACE FRONT HOUSING

Replace front housing② by reversing procedure used to remove it.



STONCO

INSTALLATION INSTRUCTIONS

For Wall Bracket



WARNING: Read the following carefully before attempting to install or service this unit! Failure to do so may result in bodily injury, property and/or fixture damage. Retain this sheet for future reference.

CAUTION: When connected to electrical service, these luminaires carry dangerous voltages. When replacing lamps or otherwise servicing luminaires, observe all precautions usually taken in handling high voltage equipment.

1. REMOVE FRONT HOUSING (Fig. 1)
Loosen two (2) screws "A". Remove front housing.
2. REMOVE REFLECTOR (Fig. 2)
Loosen two screws "B" enough to allow reflector to slide upward until keyhole in reflector releases two screws "B". Remove reflector.
3. MOUNTING WITH TWO (2) BOLTS (Fig. 3)
Knock out two (2) slugs "C" in rear housing.
4. MOUNTING ON OUTLET BOX
Knock out appropriate holes around outlet hole in rear housing. Fasten the rear housing to the outlet box using the screws supplied with the outlet box.
5. ELECTRICAL CONNECTIONS
Make wiring connections by connecting white fixture wire (marked Common-COM) to white service wire using wire nuts. Connect 120 volt fixture wire (which may be black) to black service wire using another wire nut (not included). Make sure that there are no loose wire strands sticking out of wire nuts. Connect the ground lead from the service by hooking it around the green grounding screw "F", between the screw head and the brass terminal washer. Tighten the screw securely.
6. INSTALL LAMP
Replace reflector and place lamp into lamp socket, and screw lamp securely into lamp socket until it seats firmly.
7. REPLACE FRONT HOUSING
Replace front housing by reversing procedure used to remove it.

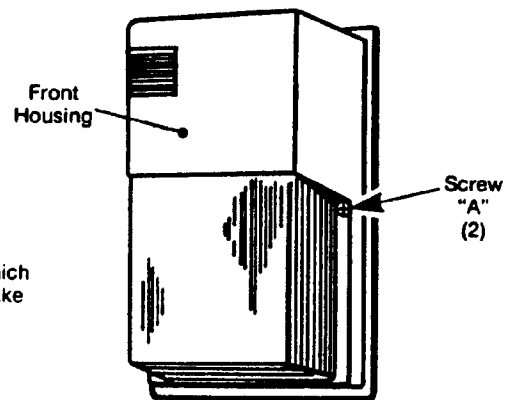


FIGURE 1

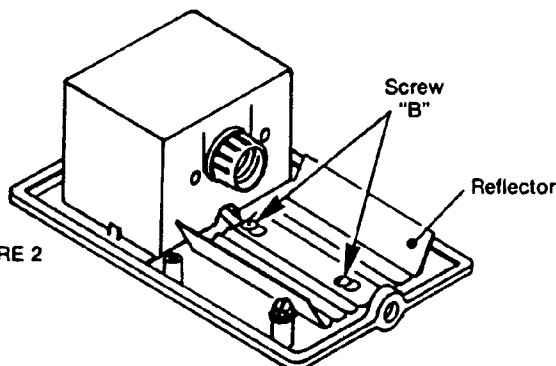


FIGURE 2

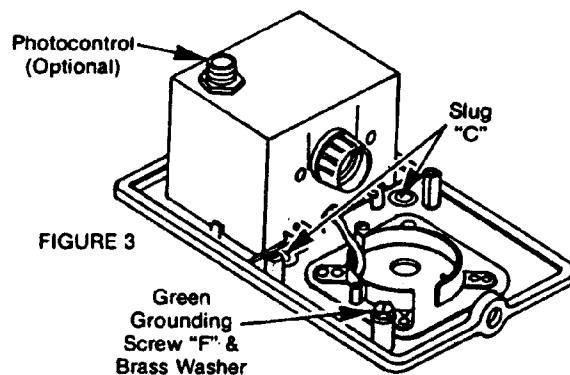


FIGURE 3

LIMITED ONE YEAR WARRANTY

STONCO fixtures are warranted against mechanical and electrical defects for a period of one year from date of delivery. Replacement or repair of authorized returns found to be mechanically or electrically defective within the warranty period constitutes fulfillment of all obligations under this warranty. Stonco assumes no responsibility for the proper installation of its products, or for labor costs involved in repair or replacement. Ballasts are covered by manufacturers trade warranties. FULL STATEMENT OF STONCO LIMITED WARRANTY POLICY AVAILABLE ON REQUEST.

©1988 STONCO □ 2345 VAUXHALL ROAD, UNION, NJ 07083