

C-AR-A-4LD Series

LED Area Light - Type III
Replaces 400W PSMH

C-LITE
LED LIGHTING BY CREE



For use in 0° orientation
(downlight position)
only

A ONE-FOR-ONE REPLACEMENT FOR 400W PSMH.

EFFICIENT

- Uses 48% less energy than comparable 400W PSMH fixtures
- Heat dissipating fins keep LEDs running cooler, longer

DURABLE

- Sturdy, low-copper die-cast aluminum construction
- Rugged tempered glass lens

RECOMMENDED USE

- General area lighting
- Parking lots
- Roadways

INPUT VOLTAGE

- Universal (120V through 277V Operation)

CERTIFICATIONS:

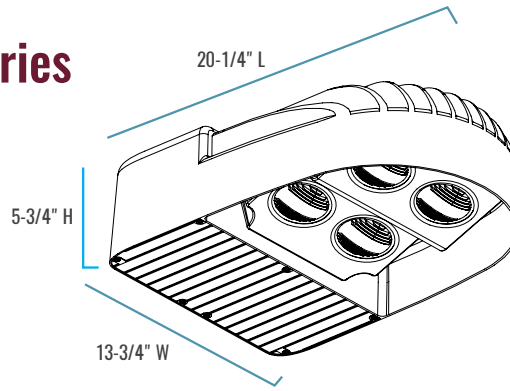


CREE 
LEDs

US: c-lite.com

T (800) 236-6800 F (262) 504-5415

C-AR-A-4LD Series



Series overview

| DIMENSIONS | PRODUCT WEIGHT | MOUNTING HEIGHT | SPACING |
|----------------------------------|----------------|-----------------|----------------------------------|
| 20-1/4" L x 13-3/4" W x 5-3/4" H | 26.71 lbs. | 20 to 30 feet | 4 to 5 times the mounting height |

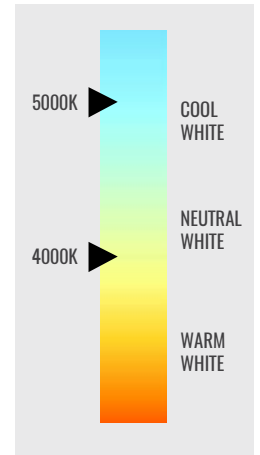
Fixture Specifications

| | |
|----------------------|---|
| HOUSING | Low-copper, die-cast aluminum housing • Dark bronze polyester powder-coat finish |
| LENS ASSEMBLY | Tempered glass lens is thermal, shock and impact resistant Patented lens design delivers IES Type III distribution |
| MOUNTING | Fixture comes without mounting (sold separately) For use in 0° tilt (downlight position) only |

Electrical Performance

| OPERATING MINIMUM | LIFESPAN <small>L₇₀ AT 25°C (77°F)</small> | POWER FACTOR | TOTAL HARMONIC DISTORTION | DIMMABLE |
|----------------------------|--|--------------|---------------------------|-------------|
| -40°C (-40°F) | Estimated >100,000 Hours | < 0.9 | < 20% | No |
| INPUT VOLTAGE | 120V | 208V | 240V | 277V |
| CURRENT DRAW (Amps) | 1.9A | 1.1A | 0.95A | 0.82A |

CORRELATED COLOR TEMPERATURE (CCT)



Warranty and Certifications

| Warranty | UL Listed | Energy Star |
|-----------------|------------------------------|-------------|
| 5-Year Limited* | Wet Locations (0° tilt only) | N/A |

Output Specifications

| SKU | Light Output | Color Temp (see chart) | Power Consumption | Color Accuracy | Replaces |
|------------------------------|---------------|------------------------|-------------------|----------------|-----------|
| C-AR-A-4LD-23L-50K-DB | 23,000 Lumens | Cool White (5000K) | 228W | ≥ 70 CRI | 400W PSMH |
| C-AR-A-4LD-23L-40K-DB | 23,000 Lumens | Neutral White (4000K) | 228W | ≥ 70 CRI | 400W PSMH |

C-AR-A-4LD Series

Accessories



Photocell - Button, 120V/208V/240V/277V

SKU: C-ACC-A-PCCELL-LV (120V)

C-ACC-A-PCCELL-HV (208V/240V/277V)

USE: Photocell is field installed. For use with 2" adjustable slip fitter only

Mounting Options



6" Mounting Arm

SKU: C-ACC-A-MTARM-6IN-DB

USE: For pole mounting



2" Slip Fitter

SKU: C-ACC-A-MTSL-2IN-DB

USE: For pole mounting. Fits over 2-3/8" O.D. pipe



Adjustable U-bracket

SKU: C-ACC-A-AUB-2X5X6-DB

C-ACC-A-AUB-3X5X5-DB

USE: For wall mounting.