

EIH Instrument Enclosures

Cl. I, Div. 1 & 2, Groups B†, C, D
 Cl. II, Div. 1, Groups E, F, G
 Cl. II, Div. 2, Groups F, G
 Cl. III
 NEMA 3, 4, 4X, 7B†CD, 9EFG
 Ex d IIB, IP66 ATEX Certified

Explosionproof
 Dust-Ignitionproof
 Raintight
 Wet Locations
 Watertight

1E

Applications:

- EIH instrument enclosures are used:
- To enclose instrumentation and control devices such as two-wire transmitters, flow measurement devices, temperature controls, level detectors, pressure switches, etc.
 - As an outlet box for pulling and splicing conductors
 - In hazardous, abusive and wet locations
 - To provide access to conductors for maintenance and future system changes

Features:

- 3/4" offset through feed hubs offer maximum interior space and greater working area
- 2" and 4" deep covers, solid or with glass lens
- Internal mounting pads for instrument mounting
- Internal ground screw for safe, continuous grounding
- Neoprene gasket provides a watertight seal for NEMA/EEMAC 4 and UL/CSA Type 4 applications
- Wrenching lugs permit easy cover removal and tightening
- Internal cover threads provide additional space inside body
- External boss is suitable for drilling and tapping an additional conduit entry

Certifications and Comiances:

- NEC/CEC:
 - Class I, Division 1 & 2, Groups B†, C, D
 - Class II, Division 1, Groups E, F, G
 - Class II, Division 2, Groups F, G
 - Class III
- NEMA/EEMAC: 3, 4, 4X, 7BCD, 9EFG
- UL Standard: 1203
- CSA Standard: C22.2 No. 30
- FM Classification No.: 3615
- ATEX Certificate KEMA 02 ATEX 2265U (requires ATEX suffix)
- IEC Standards EN:60079-0, EN:60079-1, EN:60529

Standard Materials:

- Body and cover – copper-free aluminum
- Glass lens – heat tempered glass
- Gasket – neoprene

Standard Finishes:

- Corro-free™ epoxy powder coat (gray)

Options:

Description	Suffix
Cast mounting feet	MF
Natural finish - Consult Eaton's Crouse-Hinds	
Additional drilled and tapped opening in external boss:	
1/2"	1
3/4"	2
With ATEX certification	ATEX



EIH22



EIH21

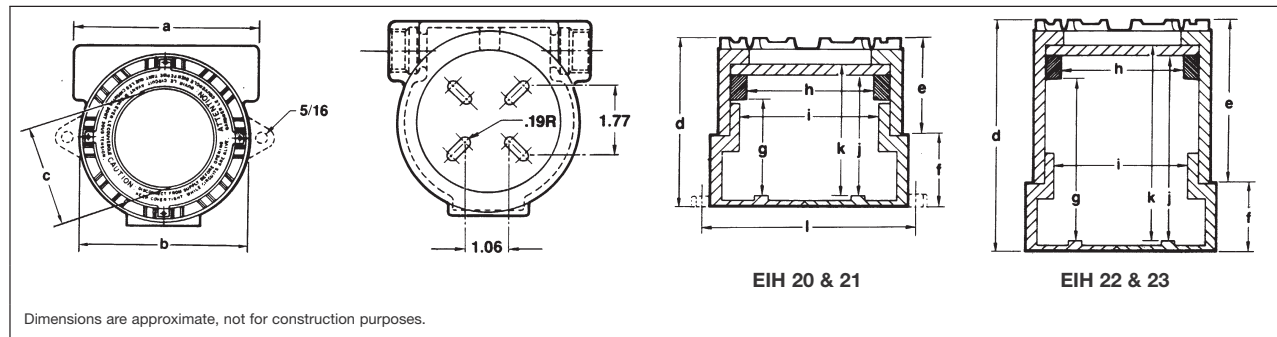
Ordering Information:

Hub Size*	Description	Cat. #
3/4"	Body with 2" standard cover	EIH20
3/4"	Body with 2" glass lens cover	EIH21
3/4"	Body with 4" dome cover	EIH22
3/4"	Body with 4" glass lens dome cover	EIH23

*For 1/2" hub size, use RE21-SA.

Dimensions

In Inches:



Cat. #	a	b	c	d	e	f	g	h	i	j	k	l
EIH20	5.00	4.25	—	4.54	2.60	1.94	—	—	3.62	—	3.34	5.25
EIH21	5.00	4.25	2.60	4.54	2.60	1.94	2.75	2.61	3.62	3.10	—	5.25
EIH22	5.00	4.25	—	6.54	4.60	1.94	—	—	3.62	—	5.34	5.25
EIH23	5.00	4.25	2.60	6.54	4.60	1.94	4.68	2.61	3.62	5.03	—	5.25

† For Group B applications, seal within 1/16" of enclosure in accordance with Sections 501-5 of the National Electrical Code® as well as any other applicable codes.

Crouse-Hinds

by **E.T.N**

1E EIHT Instrument Enclosures

Cl. I, Div. 1 & 2, Groups B†, C, D Explosionproof
 Cl. II, Div. 1, Groups E, F, G Dust-Ignitionproof
 Cl. II, Div. 2, Groups F, G Raintight
 Cl. III Wet Locations
 NEMA 3, 4, 7B†CD, 9EFG Watertight

Applications:

- EIHT instrument enclosures are used:
- To enclose instrumentation and control devices such as two-wire transmitters, flow measurement devices, temperature controls, level detectors, pressure switches, etc.
 - As an outlet box for pulling and splicing conductors
 - In hazardous, abusive and wet locations
 - To provide access to conductors for maintenance and future system changes

Features:

- 3/4" offset through feed hubs offer maximum interior space and greater working area
- 2" and 4" deep covers, solid or with glass lens
- Internal mounting pads for instrument mounting
- Internal ground screw for safe, continuous grounding
- Neoprene gasket provides a watertight seal for NEMA/EEMAC 4 and UL/CSA Type 4 applications
- Wrenching lugs permit easy cover removal and tightening
- Internal cover threads provide additional space inside body
- External boss is suitable for drilling and tapping an additional conduit entry
- Two separate chambers for isolation of power supply and instrument
- 3/4" hub on instrument side
- Third party certified for drilling enclosure wall between instrument and power side

Certifications and Compliances:

- NEC/CEC:
 - Class I, Division 1 & 2, Groups B†, C, D
 - Class II, Division 1, Groups E, F, G
 - Class II, Division 2, Groups F, G
 - Class III
- NEMA/EEMAC: 3, 4, 7B†CD, 9EFG
- UL Standard: 1203
- CSA Standard: C22.2 No. 30
- FM Classification No.: 3615
- IEC Standards EN:60079-0, EN:60079-1, EN:60529

Standard Materials:

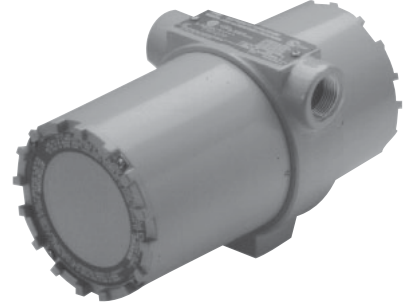
- Body and cover – copper-free aluminum
- Glass lens – heat tempered glass
- Gasket – neoprene

Standard Finishes:

- Corro-free™ epoxy powder coat (gray)

Options:

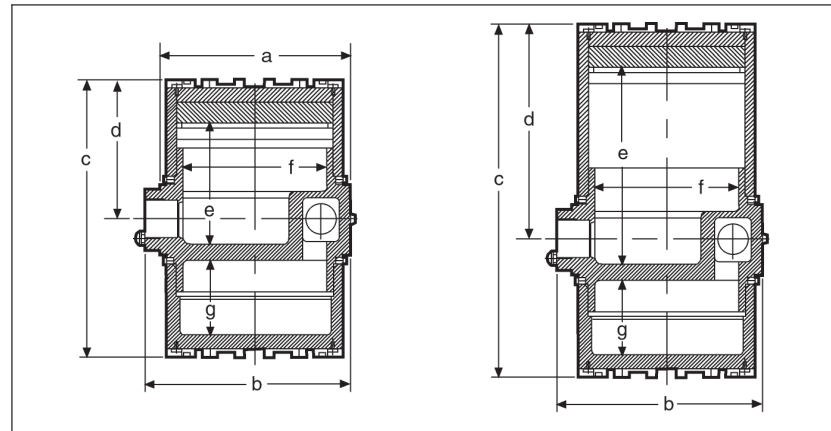
Description	Suffix
Additional drilled and tapped opening in external boss:	
1/2".....	1
3/4".....	2
Natural finish.....	Consult Eaton's Crouse-Hinds



Ordering Information:

Hub Size*	Description	Cat. #
3/4	2" Blank Cover - Power Side	EIHT200
	2" Blank Cover - Instrument Side	
3/4	2" Blank Cover - Power Side	EIHT210
	2" Glass Lens Cover - Instrument Side	
3/4	2" Blank Cover - Power Side	EIHT220
	4" Blank Cover - Instrument Side	
3/4	2" Blank Cover - Power Side	EIHT230
	4" Glass Lens Cover - Instrument Side	

Dimensions In Inches:



Cat. #	a	b	c	d	e	f	g
EIHT200	4.75	5.19	6.95	3.48	3.15	3.56	1.87
EIHT210	4.75	5.19	6.95	3.48	3.15	3.56	1.87
EIHT220	—	5.19	8.95	5.48	5.15	3.56	1.87
EIHT230	—	5.19	8.95	5.48	5.15	3.56	1.87

† For Group B applications, seal within 1/2" of enclosure in accordance with Sections 501-5 of the National Electrical Code® as well as any other applicable codes.

*For 1/2" hub size, use RE21-SA.