

Quik-Loc™ Connectors

Tough, Watertight and
Corrosion Resistant
for Severe Mining and Industrial Conditions



Crouse-Hinds
by **EAT•N**



Quik-Loc™ Connectors

Eaton's Crouse-Hinds Business provides the widest range of medium voltage Quik-Loc™ connectors designed for service under the most severe mining conditions. The resilient elastomeric molded construction provides a tough, watertight, corrosion resistant assembly ensuring rugged, dependable service.

Original Quik-Loc connectors are designed with a neoprene-molded body using copper alloy contacts, over-molded alloy couplings with neoprene-molded protective sleeves and grommets that promote safety, service and reliability. Our line of products offers 600 Volts up to 1000 Volts AC or DC capability with ratings from 75 to 500 Amps based on cable capacity. Cable range capability from #8 AWG through 500 MCM for power/ground contacts and #8-10 AWG for pilot contacts.

The following additional products are available:

- 600 Volt grounded connector with metal coupler.
- 1000 Volt grounded connector with metal coupler and offset thread pattern restricting improper mating.
- "L" Series plug and female receptacle with easy lever-action engagement.



Contents

Introduction	2 - 3
600 Volt Standard Quik-Loc™ Connector	4 - 11
600 Volt Grounded Series Quik-Loc™ Connector	10 - 15
1000 Volt Grounded Quik-Loc™ Connector	16 - 19
"L" Series Lever Action Quik-Loc™ Connector	20 - 23
"Mag" Series Lever Action Quik-Loc™ Connector	24 - 27



Quik-Loc Specification Chart for 600 and 1000 Volt Electrical Connectors

Quik-Loc 600 and 1000 volt electrical connectors are designed for the mining industry. Quik-Loc's utilize manganese bronze couplers and shells, which not only stand up to abusive environments, but also will not emit a spark when struck. Quik-Loc Connectors are over molded with a unique blend of neoprene to resist chemicals, impact and abrasion.

SPECIFICATIONS	DEVICE TYPE	600 V STANDARD SERIES	600 V "G" SERIES	1000 V "G" SERIES	"L" SERIES LEVER ACTION	"MAG" SERIES LEVER ACTION
	Testing & Code Compliance	MSHA Approved	CSA listed to CSA C22.2 No. 182.1-07/UL1682	MSHA Approved	CSA listed to CSA C22.2 No. 182.1-07/UL1682	CSA listed to CSA C22.2 No. 182.1-07/UL1682
ENVIRONMENTAL	NEMA Rating	NEMA 3R	NEMA 3R	NEMA 3R	NEMA 3R	NEMA 3R
	Temperature Rating	-40 to 90 °C	-40 to 90 °C	-40 to 90 °C	-40 to 90 °C	-40 to 90 °C
ELECTRICAL	Voltage Ratings	600 Vac/Vdc	600 Vac	1000 Vac	600 Vac	600 Vac
	Amperage Ratings	75 to 625 A	75 to 500 A	75 to 500 A	75 to 325 A	30 to 100 A
	Dielectric Voltage	Withstands 2200 V	Withstands 2200 V	Withstands 2200 V	Withstands 2200 V	Withstands 2200 V
	Temperature Rise	Max 45°C (113°F)	Max 45 °C (113 °F)	Max 45°C (113°F)	Max 45°C(113°F)	Max 45°C (113°F)
MECHANICAL	Cable Range	#8AWG to 500MCM	#8 to 400 MCM	#8AWG to 500MCM	#8 to 4/0 AWG	#8 to #2 AWG
	Cable Termination	Set Screws	Set Screws	Set Screws	Set Screws	Set Screws
MATERIAL	Plug/Connector Body	EPDM Rubber	EPDM Rubber	EPDM Rubber	EPDM Rubber	EPDM Rubber
	Insulating Sleeve/Grommet	Neoprene Rubber	Neoprene Rubber	Neoprene Rubber	Neoprene Rubber	Neoprene Rubber
	Contacts	Copper / Brass	Copper / Brass	Copper / Brass	Copper / Brass	Brass
	Hose Clamps	Stainless Steel	Stainless Steel	Stainless Steel	Stainless Steel	Stainless Steel
	Set Screws	Stainless Steel	Stainless Steel	Stainless Steel	Stainless Steel	Stainless Steel
	Mounting Shell	Manganese Bronze	Manganese Bronze	Manganese Bronze	Manganese Bronze	Manganese Bronze
	Coupler	Overmolded Manganese Bronze	Manganese Bronze	Manganese Bronze	N/A	N/A
	Levers	N/A	N/A	N/A	Stainless Steel	Stainless Steel

600 Volt Standard Quik-Loc™ Connector



600 Volt Standard Quik-Loc™ Connector

Typical Applications:

- Drills
- Shuttle Cars
- Conveyors
- Power Distribution
- Slusher Hoists
- Motors
- Heavy Equipment
- Ship-to-Shore Power
- Waste Water
- Submersible Pumps
- Longwalls
- Mining Skids

Features and Benefits:

Corrosion Resistant - Molded neoprene components (insert body, sleeve, grommets), neoprene covered alloy couplings and stainless steel clamps are unaffected by most chemicals and acids.

Field Attachable - Quick field assembly requires standard tools with color-coded wiring terminals indicating proper conductor locations. Dual set-screw design enhances connection.

Quick Disconnect – Couplers with “pin and groove” design support engagement and disengagement in just $\frac{3}{4}$ turn. Couplers revolve freely on replaceable ball bearings.

Safe – All metal components are thoroughly insulated using a barrier of molded neoprene. A reversed ground pin assures positive polarization.

Watertight – Compression fit of neoprene components and cable hugging grommets provide a moisture-tight seal. Positive water seal between mated connectors is provided by an O-ring-type seal molded to the connector.

600 Volt Standard Quik-Loc™ Connector

Features Overview



600 Volt Quik-Loc Plugs



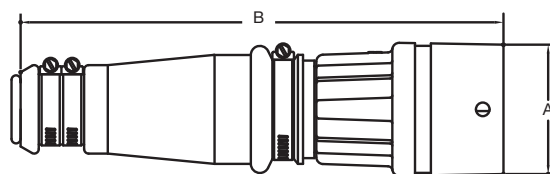
600 VOLT QUIK-LOC™ PLUGS

MAX SINGLE POLE CONDUCTOR SIZE (AWG)	600 V CONNECTOR RATING (A) †	DIMENSIONS (APPROXIMATE INCHES)		PART NUMBER		PROTECTIVE CAP FOR PLUG RECEPTACLE	
		A	B	MALE	FEMALE	FOR MALE	FOR FEMALE
FOR D.C. 2 POWER + 1 GROUND WITHOUT PILOT CIRCUIT CONTACTS							
4	125	4	13-9/16	X8323-4C	X8323-3C	3325656-2	3325656-1
2	160	4	13-11/16	X8324-2C	X8324-1C	3325656-2	3325656-1
2/0	225	4-3/16	15-5/16	X8325-3C	X8325-2C	3325656-4	3325656-3
4/0	325	4-5/8	13-15/16	X8326-1C	X8326-2C	3325656-8	3325656-7
400 MCM	500	6	19-9/16	X8327-1C	X8326-2C	3325656-10	3325656-9
FOR D.C. 2 POWER + 1 GROUND WITH PILOT CIRCUIT CONTACTS							
8	75	4	13-7/16	X8329-2C	X8329-1C	3325656-2	3325656-1
4	125	1	13-9/16	X8330-3C	X8330-4C	3325656-2	3325656-1
2	160	4-3/16	14-15/16	X8331-1C	X8331-4C	3325656-4	3325656-3
2/0	225	4-5/8	16-15/16	X8332-1C	X8332-8C	3325656-6	3325656-5
4/0	325	5	16-1/2	X8333-4C	X8333-3C	3325656-8	3325656-7
300 MCM	425	6-7/16	22-1/4	X8334-2C	X8334-1C	3325656-10	3325656-9
500 MCM	625	4-7/16	29-15/16	X8335-1C	X8335-2C	3325656-12	3325656-11
FOR A.C. 3 POWER + 1 GROUND WITHOUT PILOT CIRCUIT CONTACTS							
8	75	3-5/8	11-13/16	X8336-3D	X8336-2D	3325656-2	3325656-1
4	125	4	13-9/16	X8337-3D	X8337-4D	3325656-2	3325656-1
2	160	3-7/8	13-1/16	X8338-2D	X8338-3D	3325656-4	3325656-3
2/0	225	4-3/16	14-1/16	X8339-1D	X8339-2D	3325656-6	3325656-5
4/0	325	5	16-1/2	X8340-5D	X8340-4D	3325656-8	3325656-7
300 MCM	425	6-7/16	22-1/4	X8341-2C	X8341-1C	3325656-10	3325656-9
FOR A.C. 3 POWER + 1 GROUND WITH PILOT CIRCUIT CONTACTS							
8	75	4	13-7/16	X8343-5D	X8343-4D	3325656-2	3325656-1
4	125	3-7/8	13	X8344-5D	X8344-4D	3325656-4	3325656-3
2	160	4-3/16	14-1/16	X8345-5D	X8345-6D	3325656-6	3325656-5
2/0	225	4-5/8	13-15/16	X8346-2D	X8346-1D	3325656-8	3325656-7
4/0	325	6-7/16	21-15/16	X8347-2D	X8347-1D	3325656-10	3325656-9
400 MCM	500	7-7/16	29-1/16	X8348-3B	X8348-2B	3325656-12	3325656-11

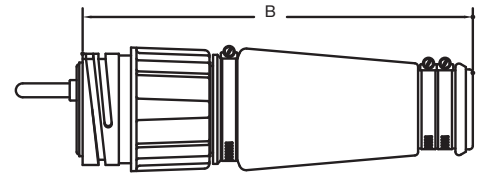
Quik-Loc male and female connectors provide electrical, mechanical and environmental protection for 600 Volt AC and DC applications.

Approvals

600 Volt MSHA (Mine Safety Health Administration) approval for underground mining.



Male



Female

† This is connector rating only. Operating rating must be based on cable capacity. Cable rating CANNOT exceed connector rating.

600 Volt Quik-Loc Dusttight Receptacles

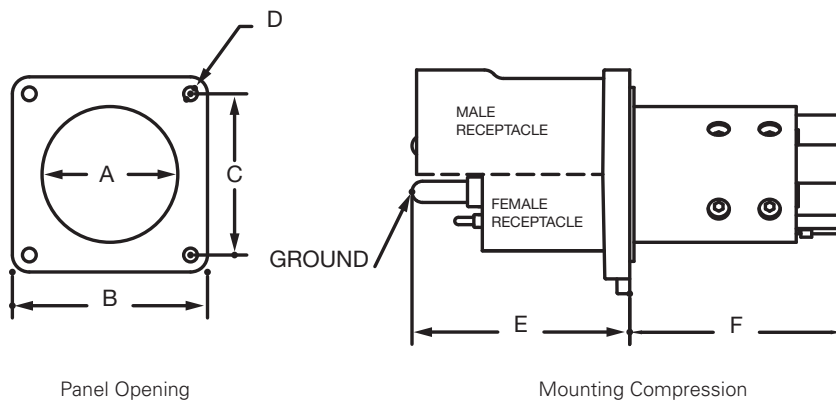
600 VOLT QUIK-LOC™ DUSTTIGHT RECEPTACLES



Male and female receptacles use machined manganese bronze mounting shells with 3/4 turn rotation.

Approvals
600 Volt MSHA approval for underground mining.

RECEPTACLE RATING (A)	PART NUMBER		DIMENSIONS (APPROXIMATE INCHES)						PILOT SHORT CIRCUITING CAP OR FEM. REC.
	MALE	FEMALE	A	B	C	D	E	F	
FOR D.C. 2 POWER + 1 GROUND WITHOUT PILOT CIRCUIT CONTACTS									
125	X8323-13C	X8323-8C	2	3-3/8	2-3/4	5/16	5-7/16	4	—
160	X8324-13C	X8324-8C	2	3-3/8	2-3/4	5/16	5-9/16	4	—
225	X8325-13C	X8325-8C	2-5/16	3-5/8	2-7/8	5/16	5-9/16	4-1/2	—
325	X8326-13C	X8326-8C	3	4-1/2	3-1/2	3/8	6-1/8	5-1/16	—
500	X8327-11C	X8327-6C	4	6	4-3/4	7/16	7-1/2	6-1/16	—
FOR D.C. 2 POWER + 1 GROUND WITH PILOT CIRCUIT CONTACTS									
75	X8329-15C	X8329-10C	2	3-3/8	2-3/4	5/16	4-15/16	4	X8329-3
125	X8330-16C	X8330-12C	2	3-3/8	2-3/4	5/16	5-7/16	3-7/8	X8330-7
160	X8331-15C	X8331-11C	2-5/16	3-5/8	2-7/8	5/16	5-9/16	4-1/2	X8331-6
225	X8332-16C	X8332-13C	2-5/8	4	3-1/8	5/16	6-1/16	4-15/16	X8332-9
325	X8333-7C	X8333-1C	3	4-1/2	3-1/2	3/8	6-1/2	5-1/16	X8333-12
425	X8334-15C	X8334-10C	4	6	4-3/4	7/16	7-3/16	6-1/16	X8334-5
625	X8335-8C	X8335-4C	5	7-1/4	5-7/8	9/16	8-7/8	6-1/4	X8335-6
FOR A.C. 3 POWER + 1 GROUND WITHOUT PILOT CIRCUIT CONTACTS									
75	X8336-13D	X8336-8D	2	3-3/8	2-3/4	5/16	5-5/16	4	—
125	X8337-14C	X8337-11C	2	3-3/8	2-3/4	5/16	5-7/16	4	—
160	X8338-13C	X8338-8C	2-5/16	3-5/8	2-7/8	5/16	5-9/16	4-1/2	—
225	X8339-13C	X8339-3C	2-5/8	4	3-1/4	5/16	6-1/16	4-15/16	—
325	X8340-2C	X8340-10C	3	4-1/2	3-1/2	3/8	6-1/2	5-1/16	—
425	X8341-13C	X8341-9C	4	6	4-3/4	13/32	4-13/32	—	—
FOR A.C. 3 POWER + 1 GROUND WITH PILOT CIRCUIT CONTACTS									
75	X8343-16C	X8343-12C	2	3-3/8	2-3/4	5/16	5-5/16	4	X8343-7
125	X8344-2C	X8344-1C	2-5/16	3-5/8	2-7/8	5/16	5-7/16	4-1/2	X8344-6
160	X8345-15C	X8345-10C	2-5/8	4	3-1/4	5/16	5-11/16	4-15/16	X8345-3
225	X8346-13C	X8346-8C	3	4-1/2	3-1/2	3/8	6-3/16	5-1/16	X8346-3
325	X8347-13C	X8347-8C	4	6	4-3/4	7/16	6-15/16	6-1/16	X8347-3
500	X8348-10B	X8348-7B	5	7-1/4	5-7/8	9/16	8-7/8	6-1/4	X8348-8



600 Volt Quik-Loc Receptacles for Permissible Enclosures



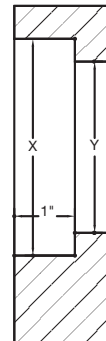
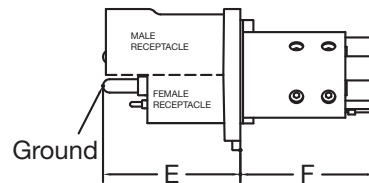
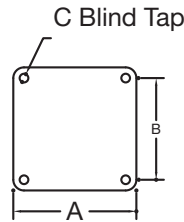
Short Circuiting Cap – Used to jumper the pilot circuit in a disengaged connector when series wired control line to other equipment must be closed.

Approvals

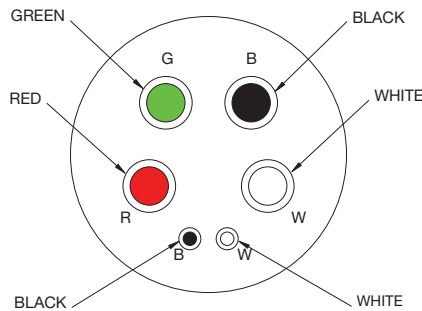
600 Volt MSHA approval for underground mining.

600 VOLT QUIK-LOC™ RECEPTACLES FOR PERMISSIBLE ENCLOSURES

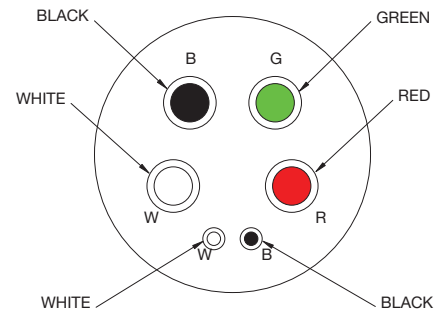
PART NUMBER		DIMENSIONS (APPROXIMATE INCHES)								PILOT SHORT CIRCUITING CAP OR FEM. REC.
MALE	FEMALE	A	B	C	D	E	X	Y		
FOR D.C. 2 POWER + 1 GROUND WITH PILOT CIRCUIT CONTACTS										
X8329-13C	X8329-8C	4-1/8	2-7/8	1/2-13	5-5/16	4	2-3/4	2	X8329-3	
X8330-14C	X8330-10C	4-1/8	2-7/8	1/2-13	5-7/16	3-7/8	2-3/4	2	X8330-7	
X8331-13C	X8331-9C	4-1/2	3-1/4	1/2-13	4-9/16	4-1/2	3	2-5/16	X8331-6	
X8332-14C	X8332-11C	4-3/4	3-1/2	1/2-13	6-1/16	4-15/16	3-3/8	2-5/8	X8332-9	
X8333-14C	X8333-10C	5	3-3/4	1/2-13	5-1/2	4-13/16	3-3/4	2-15/16	X8333-12	
X8334-13C	X8334-8C	6	4-7/8	1/2-13	6-3/16	5-13/16	5-1/8	3-15/16	X8334-5	
FOR A.C. 3 POWER + 1 GROUND WITH PILOT CIRCUIT CONTACTS										
X8343-14C	X8343-10C	4-1/8	2-7/8	1/2-13	5-5/16	4	2-3/4	2	X8343-7	
X8344-12C	X8344-8C	4-1/2	3-1/4	1/2-13	5-7/16	4-1/2	3	2-5/16	X8344-6	
X8345-15C	X8345-10C	4-3/4	3-1/2	1/2-13	5-11/16	4-3/16	3-3/8	2-5/8	X8345-3	
X8346-11C	X8346-6C	5	3-3/4	1/2-13	6-3/16	5-1/16	3-3/4	2-15/16	X8346-3	
X8347-11C	X8347-6C	6	3-7/8	1/2-13	6-15/16	6-1/16	5-1/8	3-15/16	X8347-3	



Enclosure Wall
1 - 1/4" Min.



Female Face View



Male Face View

600 Volt Quik-Loc Accessories

600 VOLT ACCESSORIES

Receptacles mate with the attachable plugs and are equipped with sleeve-type wiring terminals and molded neoprene wiring barriers. Bronze alloy mounting shells and molded neoprene inserts protect against almost any environment. Receptacles are available as dust tight and for permissible use.



PARTS FOR RECEPTACLES

MOLDED INSERT		MOUNTING SHELL			
		DUST TIGHT		PERMISSIBLE	
MALE	FEMALE	FOR MALE	FOR FEMALE	FOR MALE	FOR FEMALE
X8323-2	X8323-1	A324289	324088	-	-
X8324-3	X8324-4	A324289	324088	-	-
X8325-4	X8325-1	A324357	324063	-	-
X8326-5	X8326-4	A324232	324059	-	-
X8327-14	X8327-13	A324166	324094	-	-
X8329-4	X8329-5	A324289	324088	A324292	324300
X8330-5	X8330-6	A324289	324088	A324292	324300
X8331-5	X8331-3	A324357	324063	A324350	324353
X8332-7	X8332-5	A324119	324093	A324206	324198
X8333-6	X8333-5	A324232	324059	A324231	324238
X8334-3	X8334-4	A324166	324094	A324174	324170
X8335-11	X8335-10	324095	324065	-	-
X8336-4	X8336-1	A324289	324088	-	-
X8337-6	X8337-7	A324289	324088	-	-
X8338-4	X8338-1	A324357	324063	-	-
X8339-6	X8339-5	A324119	324093	-	-
X8344-16	X8344-15	A324357	324063	A324350	324353
X8345-2	X8345-1	A324119	324093	A324206	324198
X8346-16	X8346-15	A324232	324059	A324231	324238
X8347-16	X8347-15	A324166	324094	A324174	324170
X8348-4	X8348-5	324095	324065	-	-

Molded male and female inserts for receptacle

assemblies allow use of dust tight and permissible mounting shell configurations.

Approvals

600 Volt MSHA approval for underground mining.

600 Volt Quik-Loc Sleeves and Grommets

Elastomeric molded sleeve and grommet design support flexible field installation with multi-conductor cables.

Sleeve and grommet capability promote environmental protection with superior chemical resistance.

600 VOLT SLEEVES AND GROMMETS

Listed below are the Sleeve and Grommet Part Numbers which are supplied with each plug.

PLUG	SLEEVE	GROMMET #1	GROMMET #2	GROMMET #3	PLUG	SLEEVE	GROMMET #1	GROMMET #2	GROMMET #3
X8323	325298	313305-1	313305-2	313305-5	X8336	325298	313305-2	-	-
X8324	325298	313305-1	313305-2	313305-5	X8337	325298	313305-1	313305-2	-
X8325	325292	313327-1	313327-2	313327-7	X8338	325292	313327-1	313327-2	-
X8326	325245	K1326963	-	-	X8339	325286	324044-1	324044-2	-
X8327	325271	324089-1	324089-2	-	X8340	325245	K1326963	-	-
X8329	325298	313305-2	-	-	X8341	325271	313089-1	313089-2	-
X8330	325298	313305-1	313305-2	313305-5	X8343	325298	313305-1	-	-
X8331	325292	313327-2	313327-3	313327-6	X8344	325292	313327-2	313327-3	-
X8332	325286	324044-1	324044-2	324044-5	X8345	325286	324044-3	324044-4	-
X8333	325245	K1326963	-	-	X8346	325245	K1326963	-	-
X8334	325271	324089-1	324089-2	-	X8347	325271	324089-2	324089-3	-
X8335	325305	324024-4	324024-5	-	X8348	325305	324024-4	324024-5	-

For round cable: select grommet that adapts inside diameter of sleeve (supplied on plug) to outside diameter of cable being used.

SLEEVE PART NUMBER	FITS CABLE (W/O GROMMET)		EXTENSION RANGE OF "ADAPTER GROMMETS" FOR SLEEVES LISTED AT LEFT					
	FROM	TO	GROMMET NUMBER	RANGE	GROMMET NUMBER	RANGE	GROMMET NUMBER	RANGE
325298	1.500	1.250	313305-1	1.250 1.000	313305-2	1.000 .750	313305-3	.750 .562
325292	1.813	1.562	313327-1	1.562 1.312	313327-2	1.312 1.062	313327-3	1.062 .812
325286	2.000	1.812	324044-1	1.812 1.625	324044-2	1.625 1.437	324044-3	1.437 1.250
325245	2.125	1.812	K1326963	1.812 1.562	K1326997	1.562 1.375	-	- -
325271	2.937	2.625	324089-1	2.625 2.312	324089-2	2.312 2.000	324089-3	2.000 1.812
325305	3.281	3.000	324024-4	3.000 2.812	324024-5	2.812 2.625	324024-6	2.625 2.531

SLEEVE PART NUMBER	FITS CABLE (W/O GROMMET)		EXTENSION RANGE OF "ADAPTER GROMMETS" FOR SLEEVES LISTED AT LEFT			
	FROM	TO	GROMMET NUMBER	RANGE	GROMMET NUMBER	RANGE
325298	1.500	1.250	-	-	-	-
325292	1.813	1.562	313327-4	.812 .625	-	-
325286	2.000	1.812	324044-4	1.250 1.062	-	-
325271	2.937	2.625	-	-	-	-
325305	3.281	3.000	324024-2	2.531 2.312	324024-3	2.312 2.125

600 Volt Quik-Loc Sleeves and Grommets

600 VOLT SLEEVES AND GROMMETS

For Twin W and Twin G Cable: Select grommet that adapts inside diameter of sleeve (supplied on plug) to outside diameter of cable being used.

(†) WIRE SIZE	#8		#6		#4		#3		#2	
CABLE DIMENSIONS	.51 X .84	.51 X .92	.56 X .93	.56 X 1.02	.61 X 1.05	.61 X 1.15	.68 X 1.14	.68 X 1.26	.73 X 1.35	.73 X 1.40
Sleeve	Part Numbers on Grommets									
325298	313305-4				313305-5					
325292					313327-6					
325286										
325245										

Standard mining cable sizes require a wide range of sleeve and grommet diameters.

Sleeve and grommet capability promote environmental protection with superior chemical resistance.

(†) WIRE SIZE	#1		#1/0		#2/0		#3/0		#4/0	
CABLE DIMENSIONS	.81 X 1.40	.81 X 1.55	.93 X 1.51	.93 X 1.67	.99 X 1.63	.99 X 1.85	1.03 X 1.77	1.03 X 2.00	1.10 X 1.89	1.10 X 2.10
Sleeve	Part Numbers on Grommets									
325298										
325292			313327-6							
325286			324044-5							



Grommet



Sleeve

† Major and Minor axis of "Twin W" and "Twin G" type cables

600 Volt Grounded Quik-Loc Connectors



600 Volt Grounded Quik-Loc™ Connector

Typical Applications:

- Drills
- Shuttle Cars
- Conveyors
- Power Distribution
- Slusher Hoists
- Motors
- Heavy Equipment
- Ship-to-Shore Power

Features and Benefits:

Grounded Coupler - Machined manganese bronze hardware connected to ground contact.

Copper Alloy Contacts - Machined copper alloy D-shaped contacts provide additional set-screw threads.

Field Attachable - Quick field assembly requires standard tools with color-coded wiring terminals indicating proper conductor locations. Dual set-screw design enhances connection.

Quick Disconnect - Couplers with "pin and groove" design support engagement and disengagement in just $\frac{3}{4}$ turn. Couplers revolve freely on replaceable ball bearings.

Visual Indicator - Green coupler marker identifies 600 Volt product rating.

Watertight - Compression fit of neoprene components and cable-hugging grommets provide a moisture-tight seal. Positive water seal between mated connectors is provided by an O-ring-type seal molded to the connector.

600 Volt Grounded Quik-Loc Connectors

Features Overview



600 Volt "G" Series Quik-Loc Grounded Plugs



"G" Series Quik-Loc product constructed with durable elastomeric compound, machined manganese bronze coupler and copper alloy contact design.

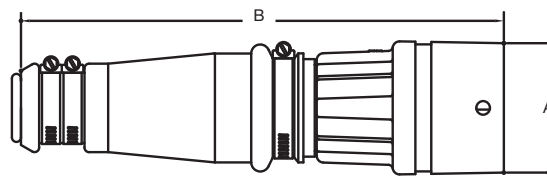
Heavy-duty ground spring provides sturdy circuit-to-ground contact and coupler to ensure electrical safety.

Approvals

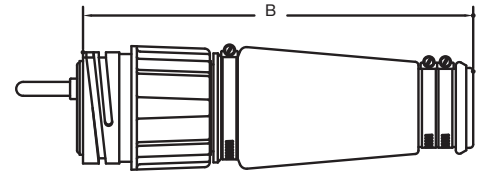
600 Volt "G" Series
CSA Certified on file
#LR -13963 for mining
applications

600 VOLT "G" SERIES QUIK-LOC™ GROUNDED PLUGS

MAX SINGLE POLE CONDUCTOR SIZE (AWG)	600 V CONNECTOR RATING (A) †	DIMENSIONS (APPROXIMATE INCHES)		PART NUMBER		PROTECTIVE CAP FOR PLUG RECEPTACLE	
		A	B	MALE	FEMALE	FOR MALE	FOR FEMALE
FOR A.C. 3 POWER + 1 GROUND WITHOUT PILOT CIRCUIT CONTACTS							
2/0	225	4-3/16	14-1/16	X8339-1G	X8339-2G	3325656-6	3325656-5
4/0	325	5	16-1/2	X8340-5G	X8340-4G	3325656-8	3325656-7
FOR A.C. 3 POWER + 1 GROUND WITH PILOT CIRCUIT CONTACTS							
8	75	4	13-7/16	X8343-5G	X8343-4G	3325656-2	3325656-1
4	125	3-7/8	13	X8344-5G	X8344-4G	3325656-4	3325656-3
2	160	4-3/16	14-1/16	X8345-5G	X8345-6G	3325656-6	3325656-5
2/0	225	4-5/8	13-15/16	X8346-2G	X8646-1G	3325656-8	3325656-7
4/0	325	6-7/16	21-15/16	X8347-2G	X8347-1G	3325656-10	3325656-9
400 MCM	500	7-7/16	29-1/16	X8348-3G	X8348-2G	3325656-12	3325656-11



Male



Female

SET SCREW KITS

PART NUMBER	DESCRIPTION
K3318346	X8343 SERIES LONG SET SCREW KIT
K3318347	X8344 SERIES LONG SET SCREW KIT
K3318348	X8345 SERIES LONG SET SCREW KIT
K3318349	X8346 SERIES LONG SET SCREW KIT
K3318350	X8347 SERIES LONG SET SCREW KIT

† This is connector rating only. Operating rating must be based on cable capacity. Cable rating CANNOT exceed connector rating.

600 Volt "G" Series Quik-Loc Grounded Dusttight Receptacles

600 VOLT "G" SERIES QUIK-LOC™ GROUNDED DUST TIGHT RECEPTACLES

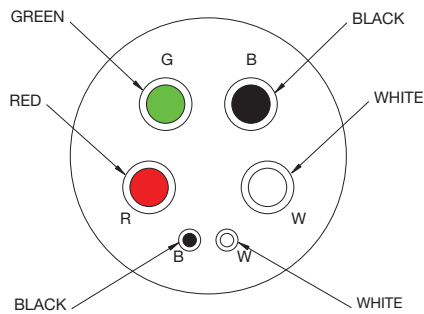
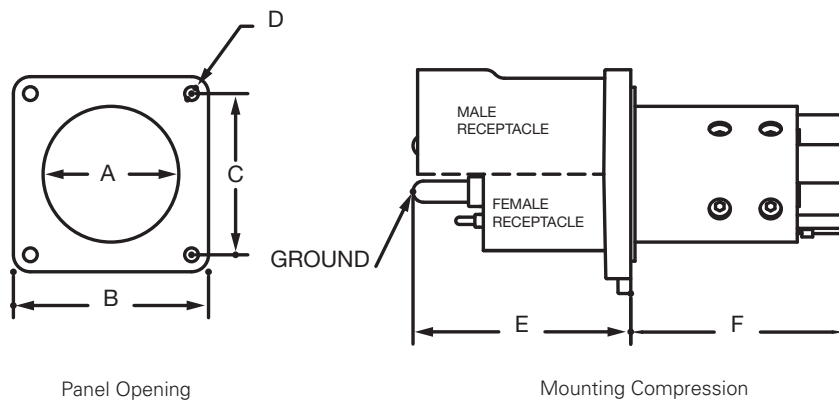
RECEPTACLE RATING (A)	PART NUMBER		DIMENSIONS (APPROXIMATE INCHES)						PILOT SHORT CIRCUITING CAP OR FEM. REC.
	MALE	FEMALE	A	B	C	D	E	F	
FOR A.C. 3 POWER + 1 GROUND WITHOUT PILOT CIRCUIT CONTACTS									
225	X8339-13C	X8339-3C	2-5/8	4	3-1/4	5/16	6/1/16	4-15/16	
325	X8340-2C	X8340-10C	3	4-1/2	3-1/2	3/8	6-1/2	5-1/16	
FOR A.C. 3 POWER + 1 GROUND WITH PILOT CIRCUIT CONTACTS									
75	X8343-16C	X8343-12C	2	3-3/8	2-3/4	5/16	5-5/16	4	X8343-7
125	X8344-2C	X8344-1C	2-5/16	3-5/8	2-7/8	5/16	5-7/16	4-1/2	X8344-6
160	X8345-15C	X8345-10C	2-5/8	4	3-1/4	5/16	5-11/16	4-15/16	X8345-3
225	X8346-13C	X8346-8C	3	4-1/2	3-1/2	3/18	6-3/16	5-1/16	X8346-3
325	X8347-13C	X8347-8C	4	6	4-3/4	7/16	6-15/16	6-1/16	X8347-3
500	X8348-10B	X8348-7B	5	7-1/4	5-7/8	9/16	8-7/8	6-1/4	X8348-8



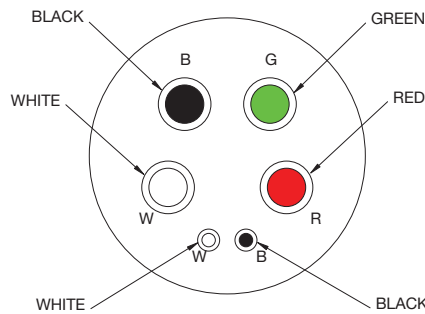
"G" Series Quik-Loc receptacle mates with attachable plug to ensure reliable electrical connection and environmental protection.

Approvals

600 Volt "G" Series
CSA Certified on file
#LR - 13963 for mining
applications



Female Face View



Male Face View

1000 Volt Grounded Quik-Loc Connectors



1000 Volt Grounded Quik-Loc™ Connector

The medium voltage Quik-Loc connector was designed for service under the most severe mining conditions. The resilient elastomeric molded body, along with a uniquely grounded coupling, provide a tough, watertight, corrosion-resistant connection that is practically indestructible.

Features and Benefits:

Corrosion Resistant – Molded elastomeric components, manganese bronze couplings, stainless steel clamps, and copper alloy contacts are unaffected by most chemicals and acids.

Field Attachable – Quick field assembly requires no special tools. Color-labeled wiring terminals indicate proper conductor locations. Set screws hold conductors in place. Clamps secure protective sleeve over terminal area.

Quick Disconnect – Couplers with pin and groove design revolve on low friction ball bearings, permitting positive engagement or disengagement in just $\frac{3}{4}$ turn. Sealing rings under coupler protect grounding mechanism and bearings from dirt and grime, making the coupler easier to rotate.

Safe – Unique, positively grounded coupler and heavy elastomeric molded body and sleeve provide electrical protection. A reversed ground pin assures positive polarization.

Watertight – Compression fit of elastomeric components and a cable-hugging grommet provides a moisture-tight seal. A positive water seal between mated connectors is provided by an O-ring-type seal molded to the connector face. A double seal is provided by elastomeric shoulders around each male contact, which fit like a cork within the female socket.

1000 Volt Grounded Quik-Loc™ Connector

Features Overview



1000 Volt Quik-Loc Grounded Plugs



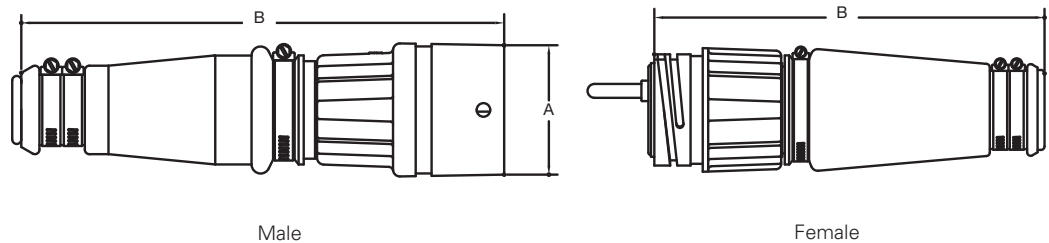
1000 VOLT QUIK-LOC™ GROUNDED PLUGS

PART PLUG NUMBERS		MAX SINGLE POLE CONDUCTOR SIZE (AWG)	90° C, 1000 V RATINGS AMPERAGE RATINGS (A)	DIMENSIONS (APPROXIMATE INCHES)		PROTECTIVE CAP FOR PLUG OR RECEPTACLE
MALE	FEMALE		† CONNECTOR ONLY	A	B	FOR MALE
1000 V FOR A.C. 3 POWER + 1 GROUND WITH PILOT CIRCUIT CONTACTS						
568024-1	568024-2	8	75	3-5/8	11-13/16	3325656-2
568025-1	568025-2	4	125	3-7/8	13	3325656-4
568026-1	568026-2	2	160	4-3/16	14-1/16	3325656-6
568027-1	568027-2	2/0	225	4-5/8	13-15/16	3325656-8
568028-1	568028-2	4/0	325	6	19-9/16	3325656-10
568029-1	568029-2	500 MCM	500	7-5/16	23-5/16	3325656-11

1000 Volt Quik-Loc connector constructed with durable elastomeric compound, machined manganese bronze coupler and copper alloy contact design.

Heavy-duty ground spring provides sturdy circuit-to-ground contact and coupler to ensure electrical safety.

Manganese coupler thread with 165° design to prevent intermating with 600 Volt product.



† This is connector rating only. Operating rating must be based on cable capacity. Cable rating CANNOT exceed connector rating.

1000 Volt Quik-Loc Dusttight Receptacles

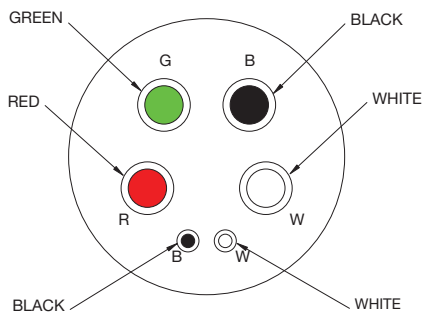
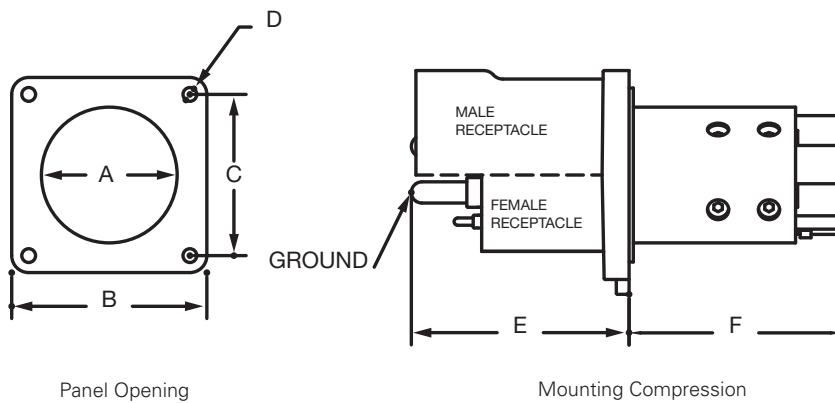
1000 VOLT QUIK-LOC™ DUSTTIGHT RECEPTACLES

PART PLUG NUMBERS		MAX SINGLE POLE CONDUCTOR SIZE (AWG)	90° C, 1000 V RATINGS AMPERAGE RATINGS (A)	DIMENSIONS (APPROXIMATE INCHES)		PROTECTIVE CAP FOR PLUG OR RECEPTACLE
MALE	FEMALE		† CONNECTOR ONLY	A	B	FOR MALE
1000 V FOR A.C. 3 POWER + 1 GROUND WITH PILOT CIRCUIT CONTACTS						
568024-3	568024-4	8	75	3-5/8	11-13/16	3326195
568025-3	568025-4	4	125	3-7/8	13	3326196
568026-3	568026-4	2	160	4-3/16	14-1/16	3326197
568027-3	568027-4	2/0	225	4-5/8	13-15/16	3326198
568028-3	568028-4	4/0	325	6	19-9/16	3326199
568029-3	568029-4	500 MCM	500	7-5/16	23-5/16	3325656-12

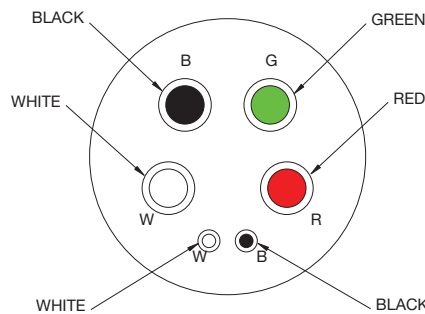


1000 Volt Quik-Loc receptacle mates with attachable plug to ensure reliable electrical connection and environmental protection.

Manganese receptacle shell thread design with 165° design to prevent intermate with 600 Volt product.



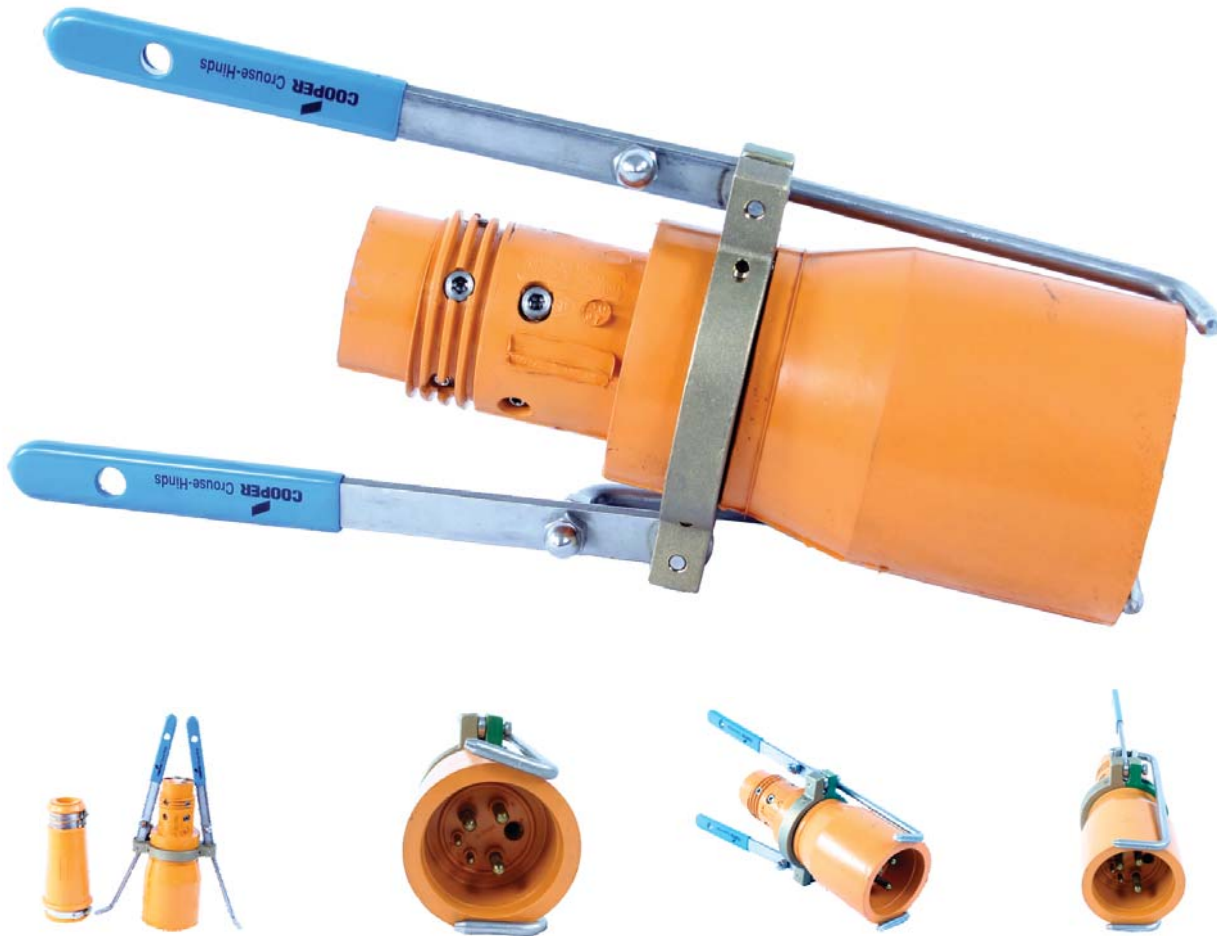
Female Face View



Male Face View

† This is connector rating only. Operating rating must be based on cable capacity.

"L" Series Lever Action Quik-Loc Connector



"L" Series Lever Action Quik-Loc™ Connector

From the pioneers in Quik-Loc mine connectors, Cooper Interconnect offers the "L" Series Lever Action Quik-Loc™ connectors.

Features and Benefits:

Quick Disconnect - Lever action engagement allows for easy assembly and disassembly.

Safe - Grounded brackets connected to ground contact support electrical safety of plug and receptacle.

Protected Contacts - Extended male shroud protects contacts while disengaged. Recessed contacts prevent arcing and slip easy contact designs allow for maximum engagement while ensuring high conductivity.

Visual Indicator - Color-coded plugs allow for quick identification for ampacity rating.

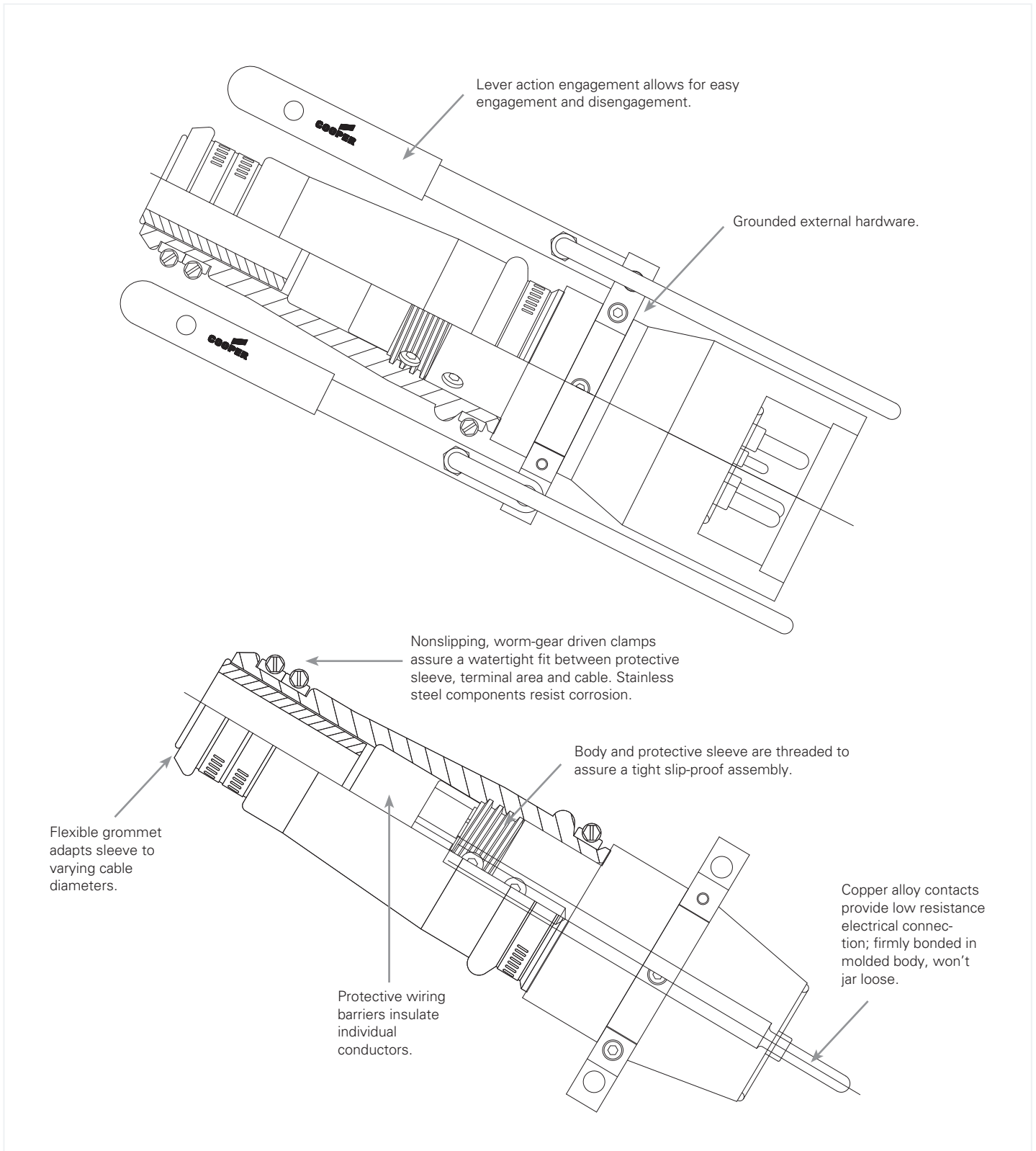
Corrosion Resistant - Stainless steel handles and levers resist corrosion.

Rugged - Neoprene body is impact and chemical resistant and designed to support rugged, harsh environments.

Intermateable - Fully intermateable with competitive lever style connectors.

"L" Series Lever Action Quik-Loc™ Connector

Features Overview



"L" Series Lever Action Quik-Loc Plugs



"L" SERIES LEVER ACTION QUIK-LOC™ PLUGS

MAX SINGLE POLE CONDUCTOR SIZE (AWG)	600 V CONNECTOR ONLY AMPERAGE RATING (A) †	PART NUMBER		DIMENSIONS (APPROXIMATE INCHES)				COLOR	PROTECTIVE CAPS	
		MALE PLUG	FEMALE PLUG	MALE A	MALE B	FEMALE A	FEMALE B		MALE	FEMALE
8	75	X8343-5L	X8343-4L	16-3/8	6-3/8	14-3/16	6-3/8	Blue	L-MAL-CAP-1	L-FEM-CAP-1
4	125	X8344-5L	X8344-4L	16-3/8	6-3/8	14-3/16	6-3/8	Red	L-MAL-CAP-1	L-FEM-CAP-1
2	160	X8345-5L	X8345-6L	16-3/8	6-3/8	14-3/16	6-3/8	Orange	L-MAL-CAP-1	L-FEM-CAP-1
2/0	225	X8346-2L	X8346-1L	16-1/8	6-3/8	16-1/8	6-3/8	Black	L-MAL-CAP-1	L-FEM-CAP-2
4/0	325	X8347-2L	X8347-1L	7-5/16	21-15/16	7-5/16	19-3/4	Black	N/A	N/A

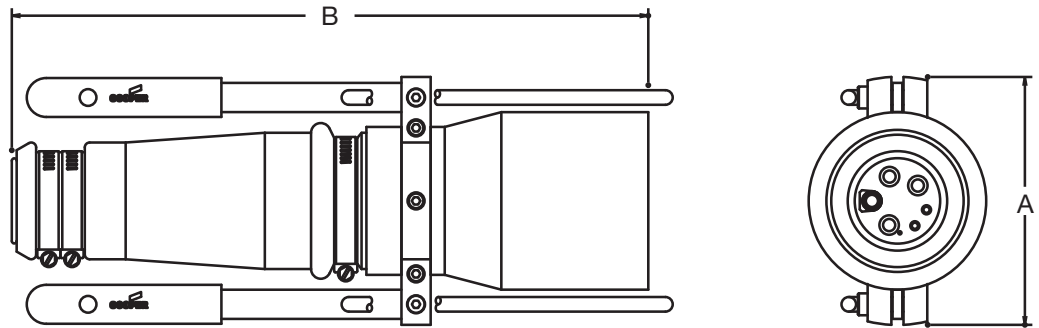
*Note: Contact factory about 400 MCM option

"L" Series lever action connector is a one-piece neoprene molded body that provides rugged, durable, and reliable service.

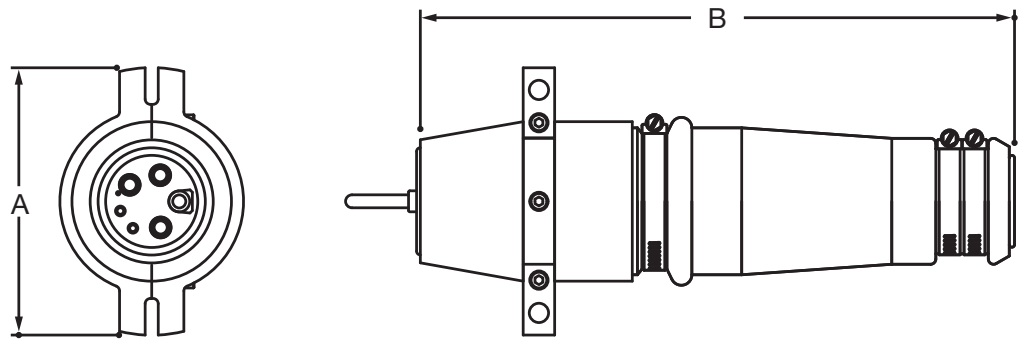
Color-coded male and female plugs support easy identification of circuit ampacity ratings.

Approvals

CSA Certified on file #LR - 13963.



Male



Female

SET SCREW KITS

PART NUMBER	DESCRIPTION
K3318346	X8343 SERIES LONG SET SCREW KIT
K3318347	X8344 SERIES LONG SET SCREW KIT
K3318348	X8345 SERIES LONG SET SCREW KIT
K3318349	X8346 SERIES LONG SET SCREW KIT
K3318350	X8347 SERIES LONG SET SCREW KIT

† This is connector rating only. Operating rating must be based on cable capacity.

"L" Series Lever Action Quik-Loc Receptacles

"L" SERIES LEVER ACTION QUIK-LOC™ RECEPTACLES – MALE

MAX SINGLE POLE CONDUCTOR SIZE (AWG)	600 V CONNECTOR ONLY AMPERAGE RATING (A) †	PART NUMBER	DIMENSIONS (APPROXIMATE INCHES)					COLOR	PROTECTIVE CAPS
			MALE RECEPTACLE	A	B	C	D		E
8	75	X8343-16L	2	3-7/16	2-3/4	9/32	9-1/16	Blue	N/A
4	125	X8344-2L	2-5/16	3-5/8	2-7/8	9/32	9-5/8	Red	N/A
2	160	X8345-15L	2-5/8	4-1/16	3-1/4	9/32	10-1/2	Orange	L-MAL-CAP-1
2/0	225	X8346-13L	3	4-1/2	3-1/2	11/32	10-7/16	Black	L-MAL-CAP-1
4/0	325	X8347-13L	4	6-3/16	4-3/4	13/32	12-1/16	Black	N/A



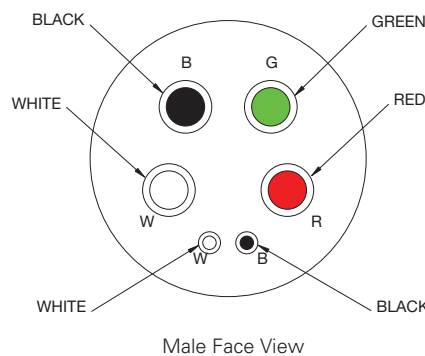
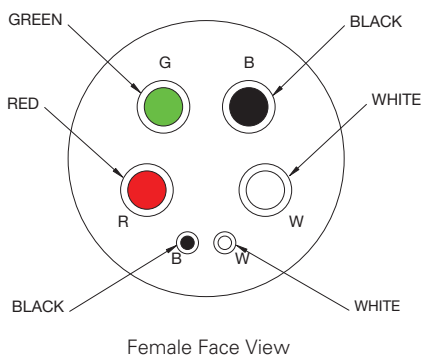
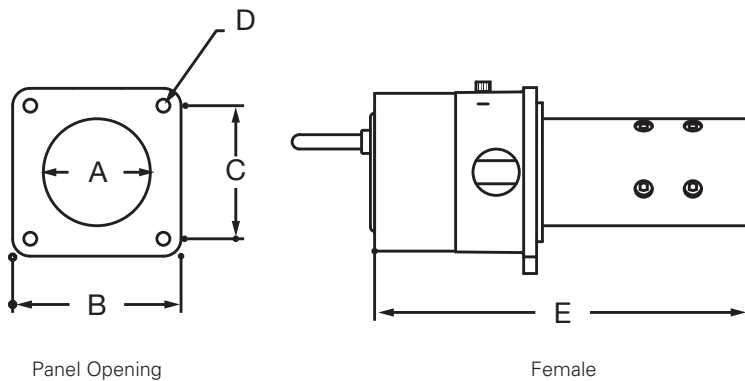
"L" SERIES LEVER ACTION QUIK-LOC™ RECEPTACLES – FEMALE

MAX SINGLE POLE CONDUCTOR SIZE (AWG)	600 V CONNECTOR ONLY AMPERAGE RATING (A) †	PART NUMBER	DIMENSIONS (APPROXIMATE INCHES)					COLOR	PROTECTIVE CAPS
			FEMALE RECEPTACLE	A	B	C	D		E
8	75	X8343-12L	2	3-11/16	2-3/4	9/32	7-9/16	Blue	L-FEM-CAP-1
4	125	X8344-1L	2-5/16	3-11/16	2-7/8	9/32	8-1/8	Red	L-FEM-CAP-1
2	160	X8345-10L	2-5/8	3-11/16	3-1/4	9/32	9-1/16	Orange	L-FEM-CAP-1
2/0	225	X8346-8L	3-1/2	4-9/16	3	11/32	8-7/8	Black	L-FEM-CAP-2
4/0	325	X8347-8L	4	6-1/16	4-3/4	13/32	9-15/16	Black	N/A

The "L" Series receptacle grounded shell, attached to the ground contact ensures electrical safety.

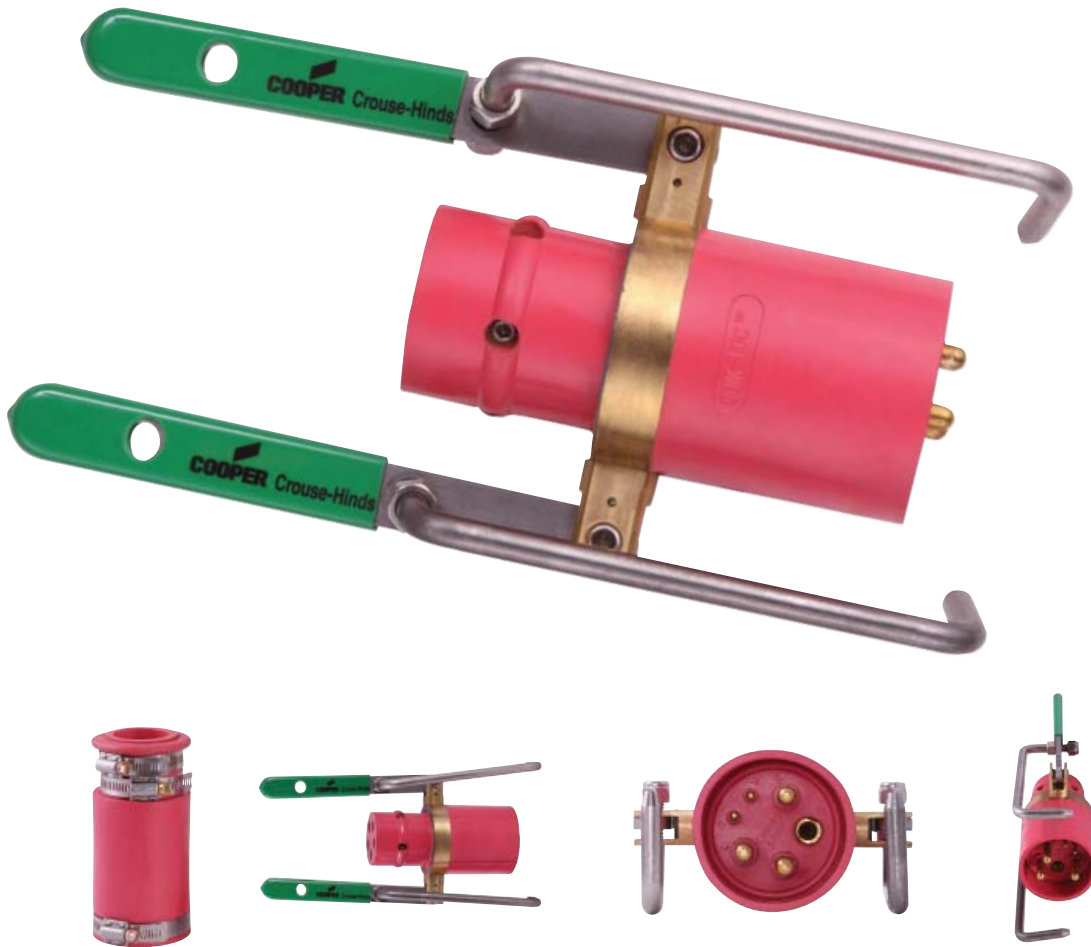
The lever action receptacle shell provides easy assembly and disassembly with reduced effort.

Approvals
CSA Certified on file
#LR - 13963.



† This is connector rating only. Operating rating must be based on cable capacity.

"Mag" Series Lever Action Quik-Loc Connector



"Mag" Series Lever Action Quik-Loc™ Connector

From the pioneers in Quik-Loc mine connectors, Eaton's Crouse-Hinds offers the "Mag" Series Lever Action Quik-Loc™ connectors.

Features and Benefits:

Quick Disconnect - Lever action engagement allows for easy assembly and disassembly.

Safe - Grounded brackets connected to ground contact support electrical safety of plug and receptacle.

Protected Contacts - Extended male shroud protects contacts while disengaged. Recessed contacts prevent arcing and slip easy contact designs allow for maximum engagement while ensuring high conductivity.

Visual Indicator - Color-coded plugs allow for quick identification for ampacity rating.

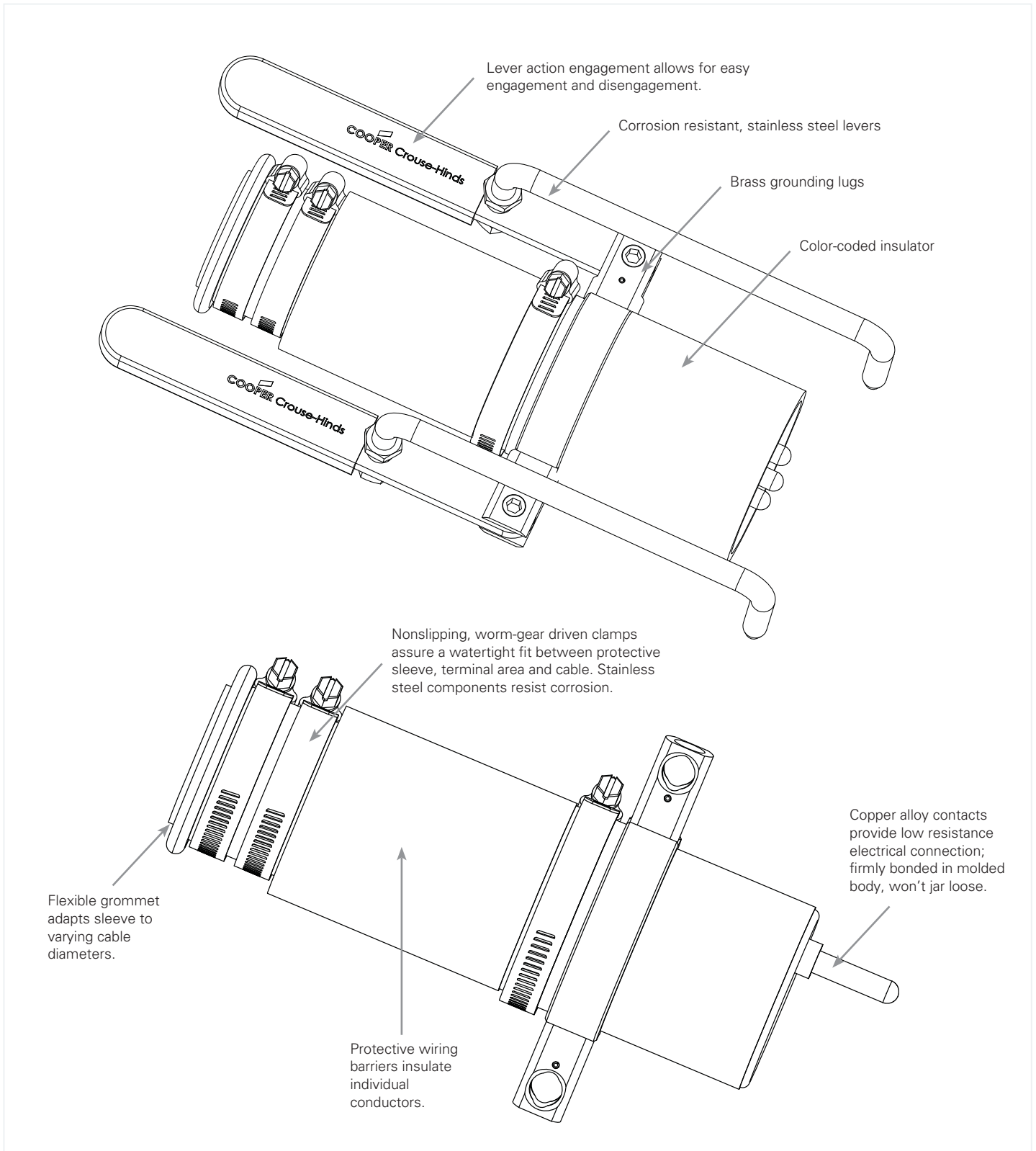
Corrosion Resistant - Stainless steel handles and levers resist corrosion.

Rugged - Neoprene body is impact and chemical resistant and designed to support rugged, harsh environments.

Intermateable - Fully intermateable with competitive lever style connectors.

"Mag" Series Lever Action Quik-Loc™ Connector

Features Overview



"Mag" Series Lever Action Quik-Loc Plugs



"MAG" SERIES LEVER ACTION QUIK-LOC™ PLUGS

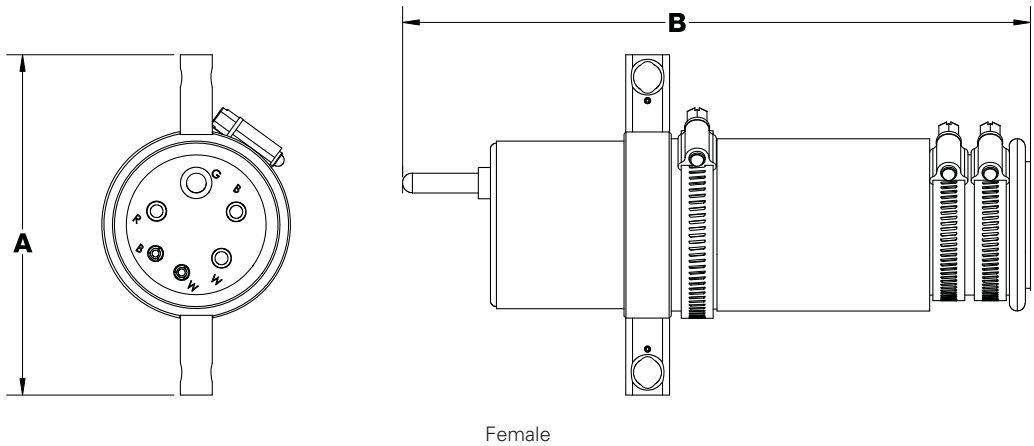
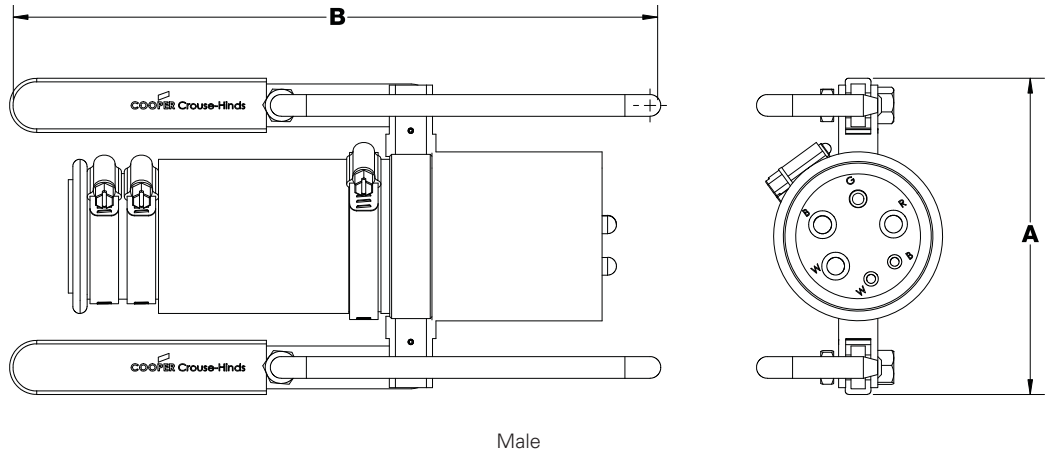
MAX SINGLE POLE CONDUCTOR SIZE (AWG)	600 V CONNECTOR AMPERAGE RATING (A) †	PART NUMBER		DIMENSIONS (APPROXIMATE INCHES)				COLOR
		MALE PLUG	FEMALE PLUG	MALE A	MALE B	FEMALE A	FEMALE B	
8	30	CHMAG30MP	CHMAG30FP	5-1/2	11-5/16	5-5/16	9-11/16	BLUE
6	60	CHMAG60MP	CHMAG60FP	5-1/2	11-5/16	5-5/16	9-11/16	RED
2	100	CHMAG100MP	CHMAG100FP	5-1/2	11-5/16	5-5/16	9-11/16	BLACK

"Mag" Series lever action connector is a one-piece neoprene molded body that provides rugged, durable, and reliable service.

Color-coded male and female plugs support easy identification of circuit ampacity ratings.

Approvals

CSA Certified on file #LR - 13963.



† This is connector rating only. Operating rating must be based on cable capacity.

"Mag" Series Lever Action Quik-Loc Receptacles

"MAG" SERIES LEVER ACTION QUIK-LOC™ RECEPTACLES

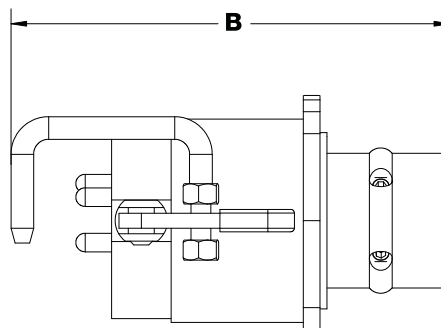
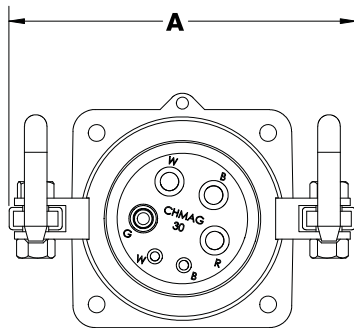
MAX SINGLE POLE CONDUCTOR SIZE (AWG)	600 V CONNECTOR AMPERAGE RATING (A) †	PART NUMBER		DIMENSIONS (APPROXIMATE INCHES)				COLOR
		MALE RECEPTACLE	FEMALE RECEPTACLE	MALE A	MALE B	FEMALE A	FEMALE B	
8	30	CHMAG30MR	CHMAG30FR	5-3/4	7-3/8	5-5/8	6-1/4	BLUE
6	60	CHMAG60MR	CHMAG60FR	5-3/4	7-3/8	5-5/8	6-1/4	RED
2	100	CHMAG100MR	CHMAG100FR	5-3/4	7-3/8	5-5/8	6-1/4	BLACK



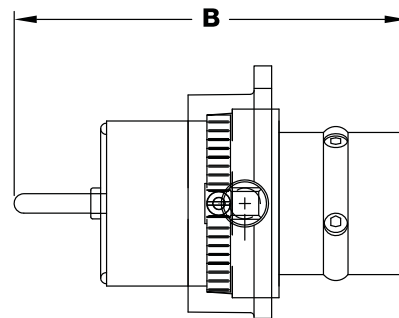
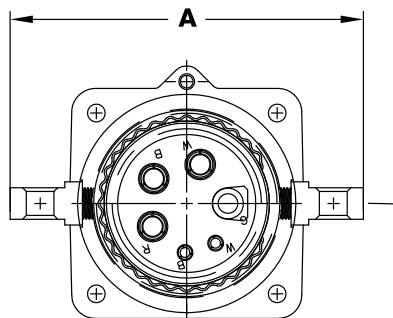
The "Mag" Series female receptacle grounded shell, attached to the ground contact ensures electrical safety.

The lever action receptacle shell provides easy assembly and disassembly with reduced effort.

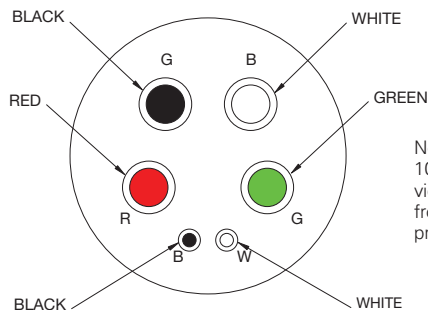
Approvals
CSA Certified on file
#LR - 13963.



Male Receptacle Dimensions

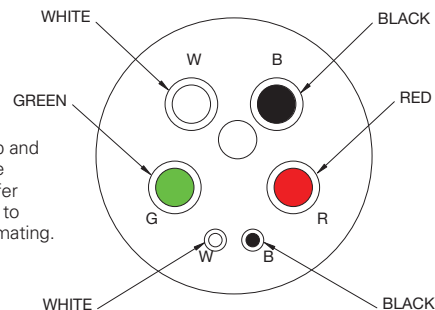


Female Receptacle Dimensions



Female Face View, 30 A Rating

Note: 60 Amp and 100 Amp face views will differ from 30 Amp to prevent intermating.



Male Face View, 30 A Rating

† This is connector rating only. Operating rating must be based on cable capacity.

**U.S. (global headquarters):
Eaton's Crouse-Hinds business**

1201 Wolf Street
Syracuse, NY 13208

(866) 764-5454
FAX: (315) 477-5179
FAX Orders Only:
(866) 653-0640

crousecustomerctr@eaton.com

For more information:

If further assistance is required, please contact an authorized Eaton Distributor, Sales Office, or Customer Service Department.

Canada

Toll Free: 800-265-0502
FAX: (800) 263-9504
FAX Orders only: (866) 653-0645

Mexico/Latin America/Caribbean

52-555-804-4000
FAX: 52-555-804-4020
ventascenromex@eaton.com

Europe (Germany)

49 (0) 6271 806-500
49 (0) 6271 806-476
sales.CCH.de@cooperindustries.com

Middle East

971 4 8066100
FAX: 971 4 8894813
chmesales@eaton.com

Singapore

65-6645-9888
FAX: 65-6297-4819
chsi-sales@cooperindustries.com

China

86-21-2899-3600
FAX: 86-21-2899-4055
cchsales@cooperindustries.com

Korea

82-2-3484-6783
82-2-3484-6778
CCHK-sales@cooperindustries.com

Australia

61-2-8787-2777
FAX: 61-2-9609-2342
CEASales@cooperindustries.com

India

91-124-4683888
FAX: 91-124-4683899
cchindia@cooperindustries.com

Eaton
1000 Eaton Boulevard
Cleveland, OH 44122
United States
Eaton.com

© 2015 Eaton Corporation
All Rights Reserved
Printed in USA
Publication No. 5122-0515
May 2015

Eaton's Crouse-Hinds Business
1201 Wolf Street
Syracuse, NY 13208
(866) 764-5454
crouse.customerctr@cooperindustries.com

Eaton is a registered trademark.
All other trademarks are property of their respective owners.