

## Class H(K) and R Fuse Blocks – 250V

Class R Fuseblocks (250V) Catalog Data (for LPN-RK, FRN-R, DLN-R and KTN-R Fuses)

Amps	Poles	Catalog Number	Terminal Type (Suffix No.)					Fig. No.	Wire Range
			Screw w/		Box Lug w/		0.25" Quick-Connect		
			—	Pres. Plate	—	Clip Cu Only			
1/10 to 30	1	R25030-1	SR	PR	CR	COR	QR*	1	COR #6-14 Cu Only
	2	R25030-2	SR	PR	CR	COR	—	2	CR #2-14 Cu, #2-12 Al
	3	R25030-3	SR	PR	CR	COR	—	3	PR #10-18 Cu Only QR N/A SR #10-18 Cu Only
31 to 60	1	R25060-1	—	—	CR	—	—	4	CR #2-14 Cu, #2-8 Al
	2	R25060-2	—	—	CR	—	—	5	
	3	R25060-3	—	—	CR	—	—	6	
61 to 100	1	R25100-1	—	—	CR	—	—	7	CR 1/0-8 Cu/Al
	2	R25100-2	—	—	CR	—	—	8	
	3	R25100-3	—	—	CR	—	—	9	
101 to 200	1	R25200-1	—	—	CR	—	—	10	CR 250kcmil-6 Cu/Al
	2	R25200-2	—	—	CR	—	—	11	
	3	R25200-3	—	—	CR	—	—	11	
201 to 400	1	R25400-1	—	—	CR†	—	—	12	CR 500kcmil-4/0 Cu/Al
	3	R25400-3	—	—	CR†	—	—	13	
401 to 600	1	R25600-1	—	—	CR	—	—	14	CR 500kcmil-4/0 Cu/Al
3	R25600-3	—	—	CR†	—	—	15		

\*UL Recognized, No CSA Certification.

†No UL, No CSA Certification.

‡UL Recognized, CSA Certification

### Dimensions – in 250V 1/10 to 30A

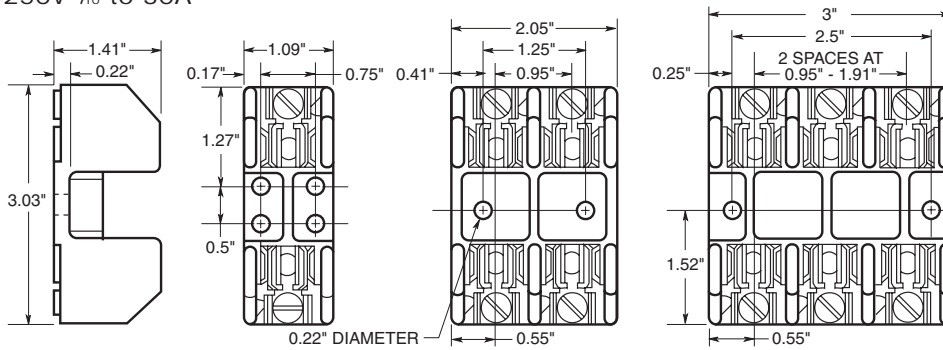


FIGURE 1.

FIGURE 2.

FIGURE 3.

### 250V, 31A to 60A

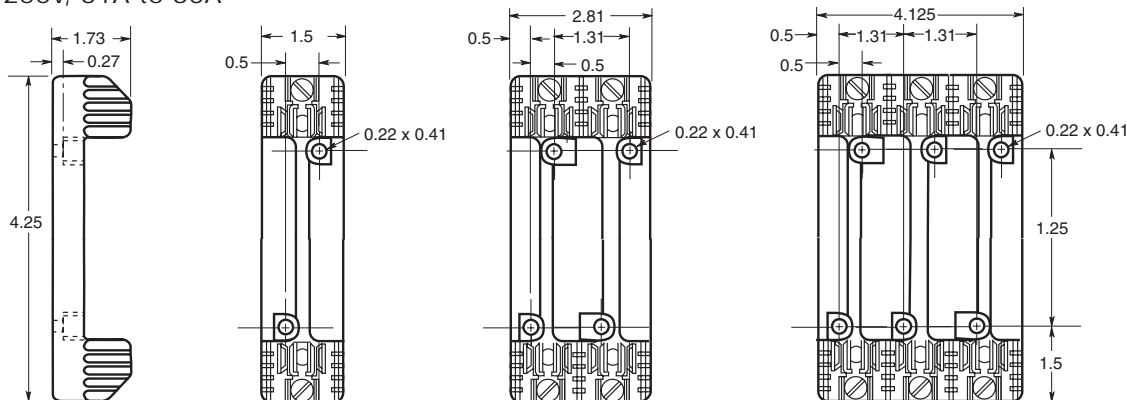


FIGURE 4.

FIGURE 5.

FIGURE 6.

Data Sheet: H250 Series, 1112; R250 Series, 1110

For product data sheets, visit [www.cooperbussmann.com/datasheets/ulcsa](http://www.cooperbussmann.com/datasheets/ulcsa)

Fuse Holders & Blocks

# Class H(K) and R Fuse Blocks – 250V

250V, 61A to 100A

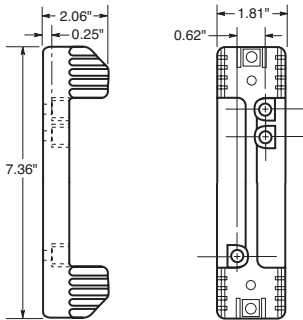


FIGURE 7.

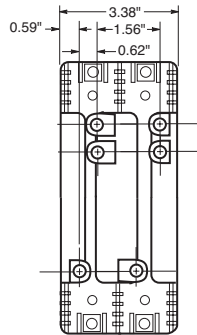


FIGURE 8.

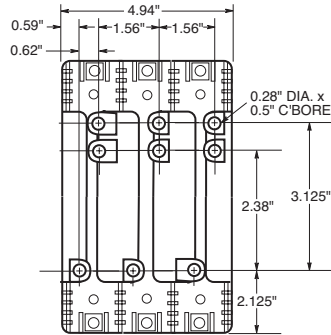


FIGURE 9.

250V, 101A to 200A

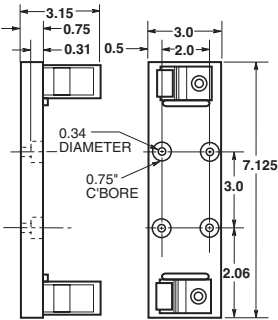


FIGURE 10.

250V, 101A to 200A

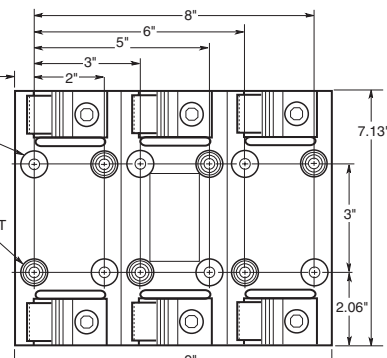
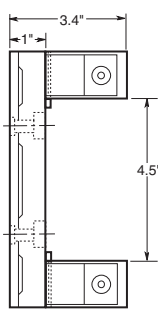


FIGURE 11.

250V, 201A to 400A

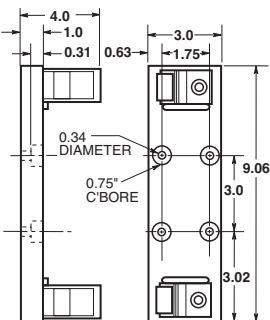


FIGURE 12.

250V, 201A to 400A

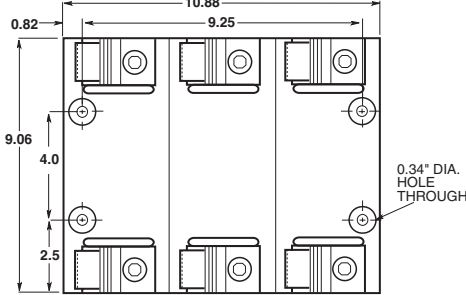
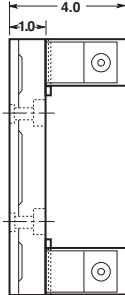


FIGURE 13.

250V, 401A to 600A

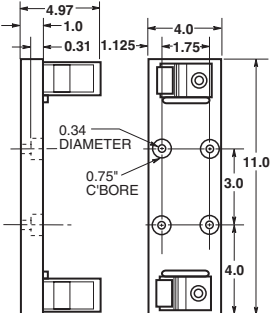


FIGURE 14.

250V, 401A to 600A

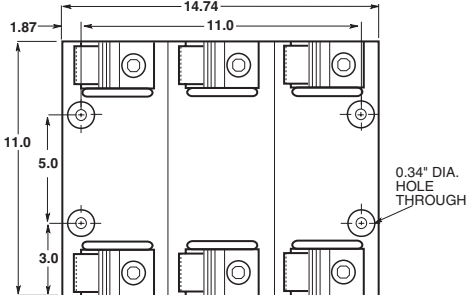
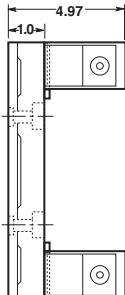


FIGURE 15.