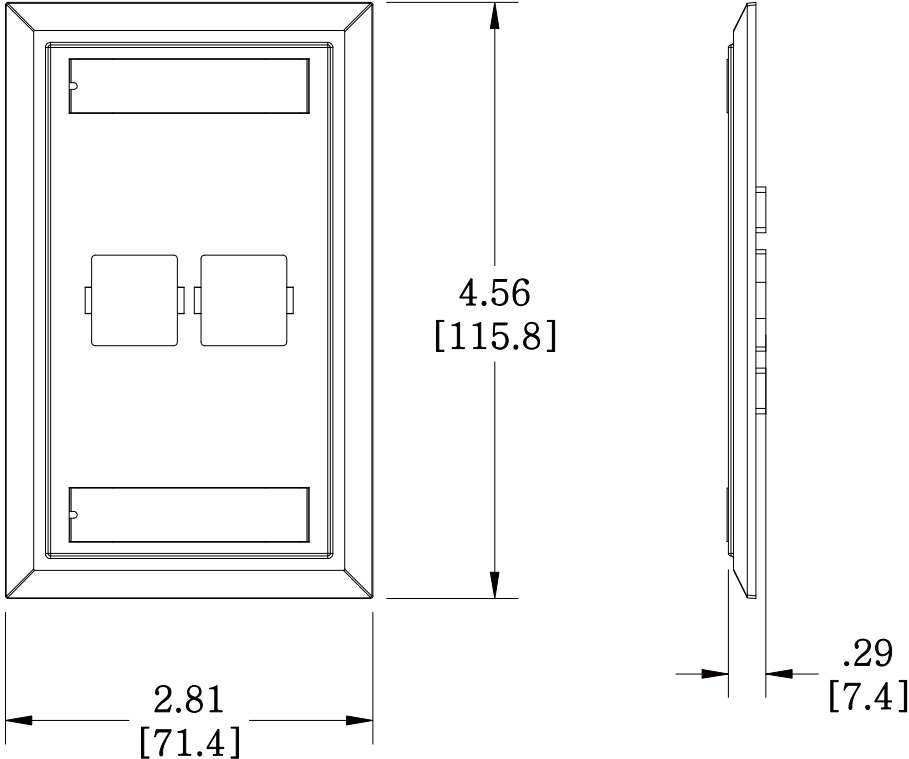


MATERIAL ID	DESCRIPTION
108168469	L TYPE FLUSH MOUNTED FACEPLATE, TWO PORT WHITE

NOTES:

1. SEE COMMSCOPE CATALOG FOR PART NUMBER SUFFIXES TO INDICATE COLOR/PKG.
2. SEE COMMSCOPE CATALOG FOR COMPLETE LIST OF PARTS RELATED TO THE USE OF THIS PRODUCT.
3. DIMENSIONS IN PARENTHESES ARE IN METRIC.
4. PART INCLUDES:
 (1) FACEPLATE
 (2) RETAINER, CARD
 (2) CARD, NUMBER
 (2) SCREW, TRUSS HEAD



M12L-262

COMMSCOPE, INC OF NORTH CAROLINA

REV	DATE	ECR	DESCRIPTION	APPROVED BY	DATE	DWG NO
1	5/26/11		INITIAL ISSUE	XX	5/26/2011	108168469