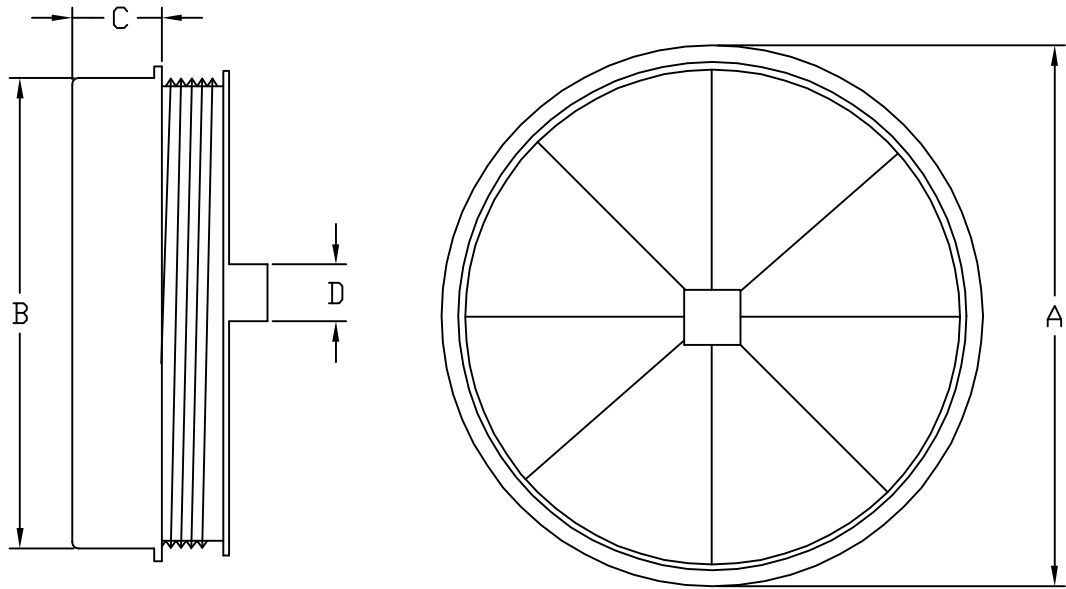


PART NUMBER	SIZE	"A"	"B"	"C"	"D"
304C04B	4"	4.20"	4.00"	1"	1.2"
304D04B	4 1/8"	4.3"	4.25"	1.1"	1.2"
305C05B	5"	5.25"	5.00"	1.2"	1.2"
306C06B	6"	6.25"	6.00"	1.4"	1.2"

Not a Listed product



CANTEX

INC.

Fort Worth, TEXAS

STOPPERS

Drawn By: CD Branch

Date:02/05/08

Ref.