

## 3/4" E-Z LOCK® Snap-in Connector

Recommended cable types 8/3 to 6/3 (.73"-.85" Dia.) Steel or Aluminum AC/AC90/ACG90/MC/MCI-A/HCF/HCFMCI-A. Also listed for use with 1/2" connector and snap assembly into electrical box.

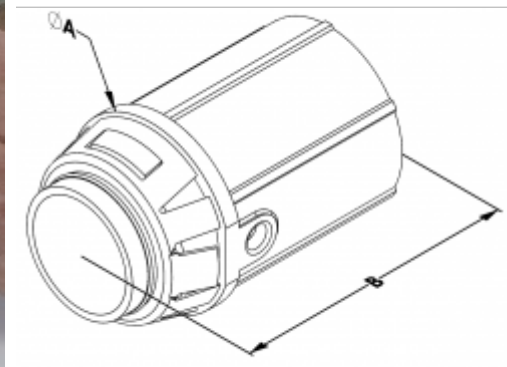
Integral internal spring steel locking tabs fasten cable or conduit. Suitable for maintaining grounding continuity when installed in accordance with the



[Download Photo](#)



[Download Drawing](#)



[Download Drawing](#)

### Product details

<b>Catalog Number:</b>	74ASP
<b>UPC Number:</b>	78174708592
<b>Primary Materials:</b>	Zinc Die Cast
<b>Finish:</b>	Ball Burnished, Mirror Smooth
<b>Trade Size:</b>	3/4"
<b>Unit Quantity:</b>	25
<b>Standard Package Quantity:</b>	100

### Dimensions

<b>Trade Size:</b>	3/4"
<b>Dimensions A:</b>	1.200
<b>Dimensions B:</b>	1.889

### Certifications & Codes

**Federal Specification Number:** A-A-50552

**UL File Number:** cETLus Listed

**UNSPSC:** 39121438

**Nema Standard:** FB1

**UL Standard:** UL-514B