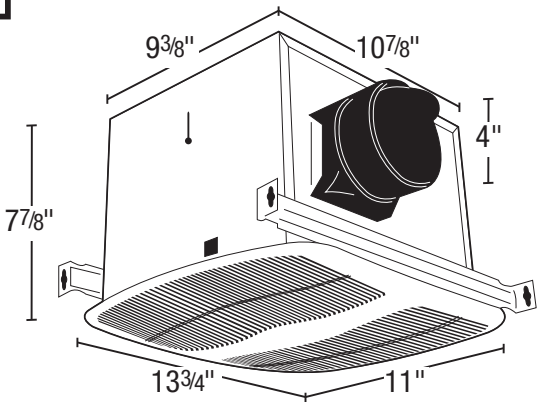




SPECIFICATIONS
AK80LS-1
 EXHAUST FAN

HVI 2100 CERTIFIED
80 CFM/1.0 Sones @ 0.10" SP.
68 CFM @ 0.25 SP.

- **Grill**
 White, polymeric grill secured in place with torsion springs; easily removed if necessary, dimensions - 11" x 13³/₄".
- **Blower Wheel**
 One piece polymeric centrifugal blower wheel, 5⁷/₃₂" diameter, 2²⁹/₃₂" wide, with 30 paddles.
- **Motor**
 Heavy duty, permanently split capacitor, plug-in, 4 pole motor, life time lubrication, suitable for continuous operation. Rated 120 volts, 60 hz.
- **Fan Housing**
 23 gauge galvanized steel housing.
 Dimensions: 10⁷/₈" x 9³/₈" x 7⁷/₈".
- **Duct Collar**
 Plastic collar for 4" duct connection, comes complete with built in non-metallic back draft damper for quiet operation.
- **Ventilating Area**
 For bathrooms up to 80 sq. ft. For other rooms up to 100 sq. ft.
- **Electrical Connections**
 1/2" electrical knockouts provided.
- **Single Pack Shipping Info**
 Box Dim: 20" x 15¹⁵/₁₆" x 11³/₈"
 UPC: 0-8316228002-2
 Shipping Weight: 17 lbs.



Acceptable for use over tub or shower when installed in a GFCI protected branch circuit.



- **Unit Mounting**
 The housing will mount in ceilings with at least 8" of clearance and through drywall thickness up to 3/4", with a rough-in opening of 11¹/₈" x 9⁵/₈". The housing will mount either between 16" or 24" on center joists, using the 4 supplied housing mounting rails. The housing mounting rails can be adapted for overhead mounting (hardware not provided).

| EXPANDED PERFORMANCE | | | | | | | | | | | |
|-----------------------|----------------------------------|------|-----|-------|------|-----|------|---------------|---------------|-------------------|------|
| | Static Pressure (inches of w.g.) | | | | | | | Sones @ .1 SP | Fan Speed RPM | Maximum Fan Watts | Amps |
| | 0 | 0.05 | 0.1 | 0.125 | 0.15 | 0.2 | 0.25 | | | | |
| Air Flow - CFM | 87 | 83 | 80 | 78 | 77 | 72 | 68 | 1.0 | 975 | 28.1 | 0.3 |

| PROJECT | | | | | | | ARCHITECT | | | | |
|-------------------|--------------|-----|---------|-----|-------|------|---------------------|-----|------------------------------|-------------|--|
| LOCATION | | | | | | | ENGINEER | | | | |
| CONTRACTOR | | | | | | | SUBMITTED BY | | | DATE | |
| FAN NUMBER | MODEL NUMBER | CFM | IN W.G. | RPM | WATTS | AMPS | SONES | QTY | OPTIONAL EQUIPMENT & REMARKS | | |
| | | | | | | | | | | | |



U.S.: 820 Lincoln Avenue
 West Chester, Pennsylvania 19380-4466
 Tel: (610) 692-7400 • 877-304-3785
 Fax: (610) 696-8048

Canada:
 Brampton, Ontario
 Tel: 800-250-8767
 Fax: (905) 456-1015